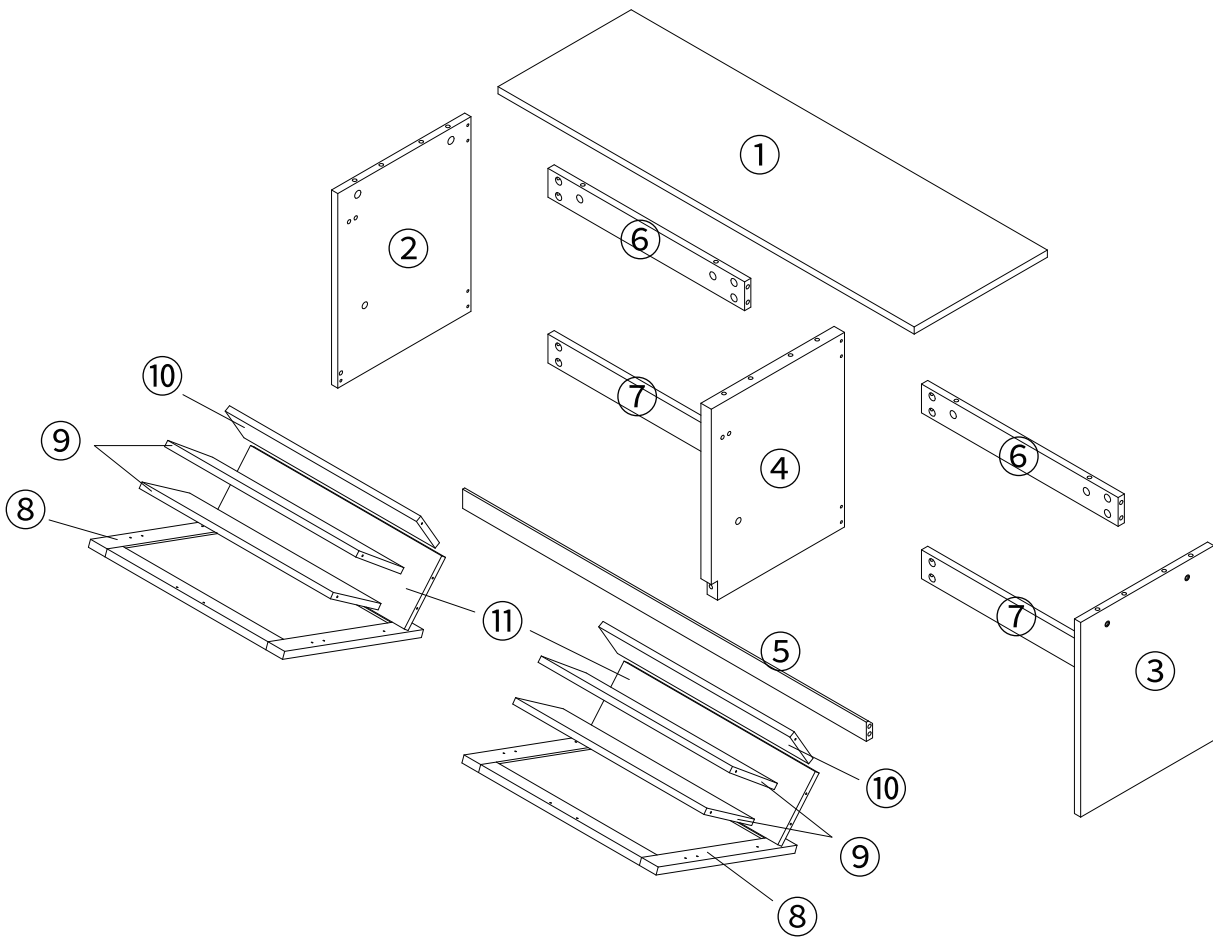


SHOE BENCH

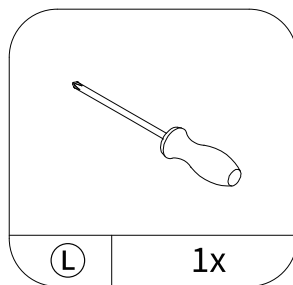
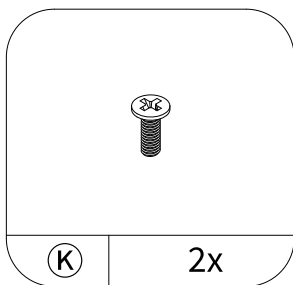
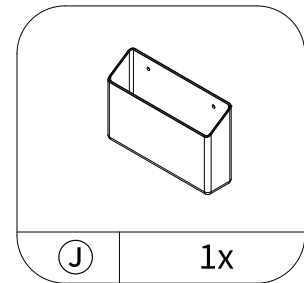
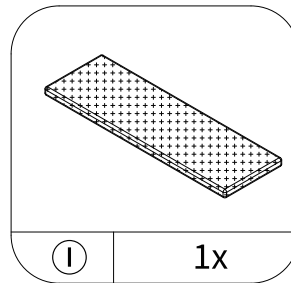
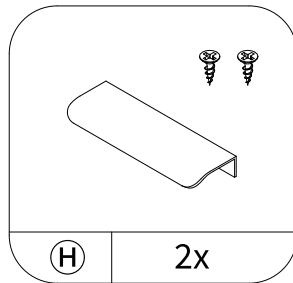
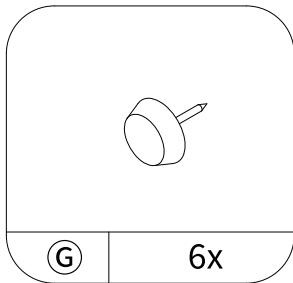
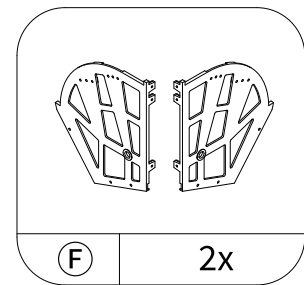
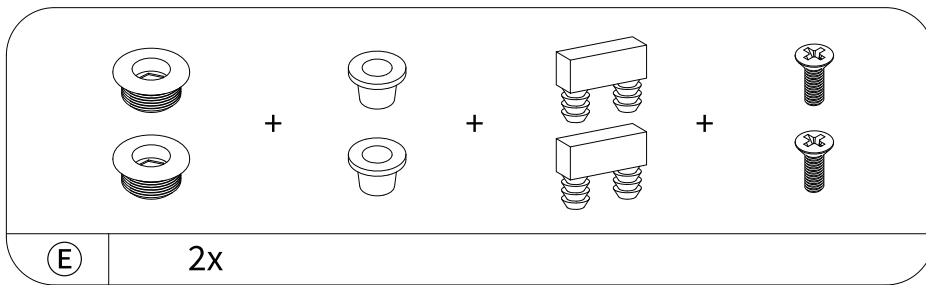
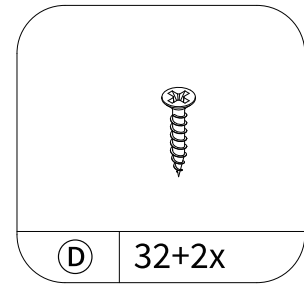
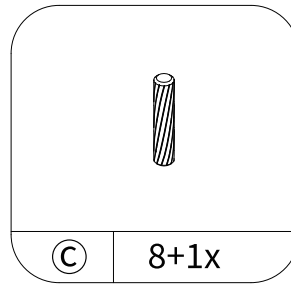
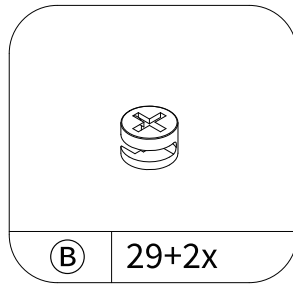
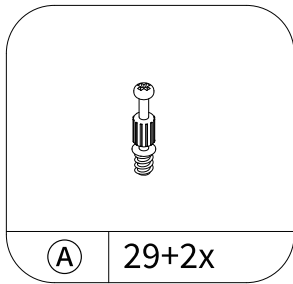
USER MANUAL

1

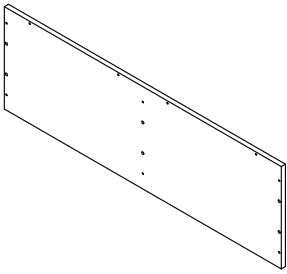
ASSEMBLY INSTRUCTIONS



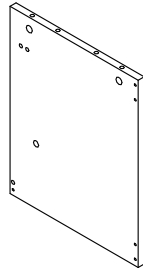
PACKAGING LIST



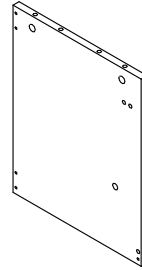
PACKAGING LIST



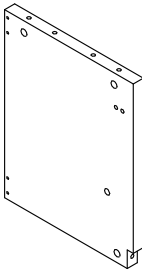
①x1



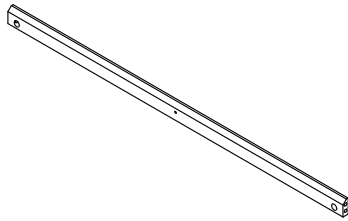
②x1



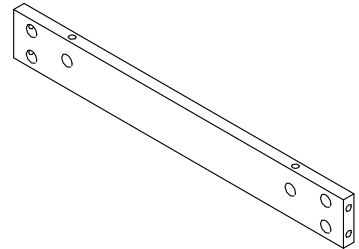
③x1



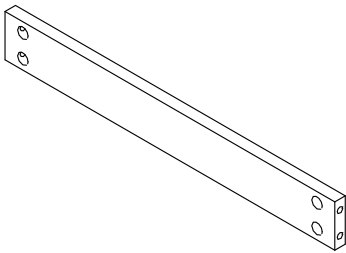
④x1



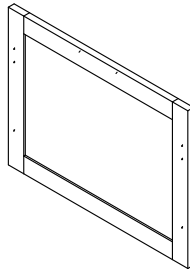
⑤x1



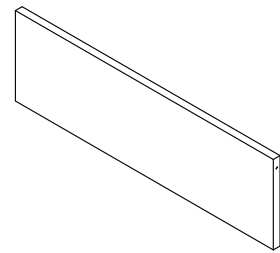
⑥x2



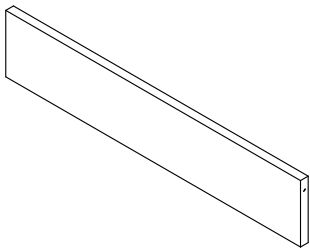
⑦x2



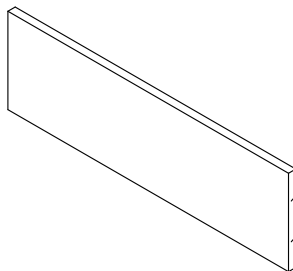
⑧x2



⑨x4



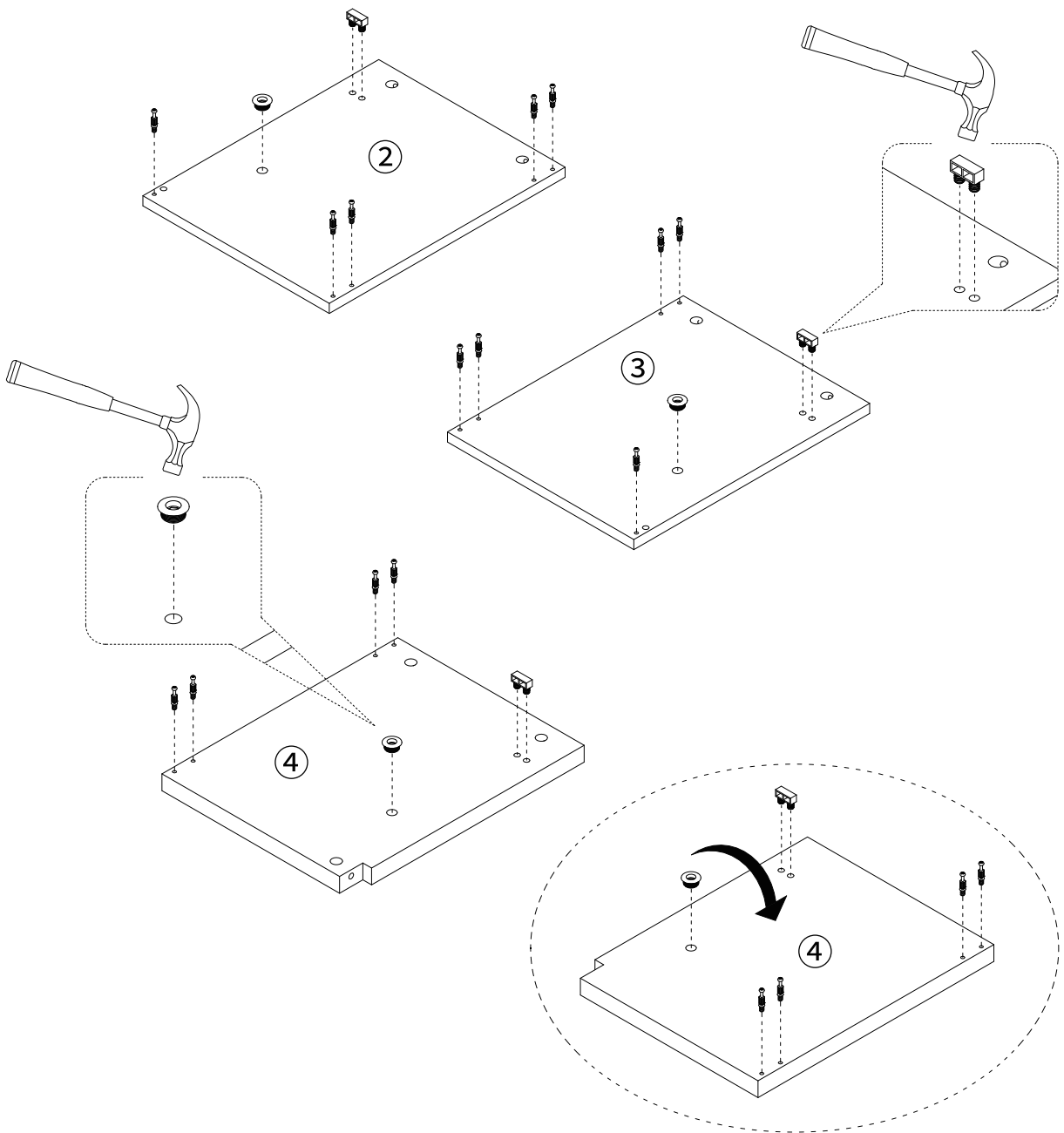
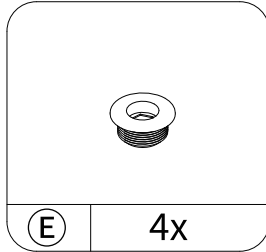
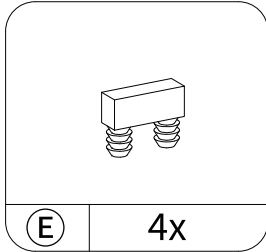
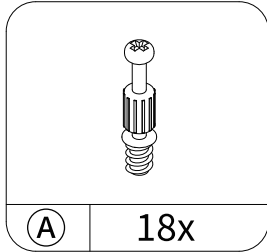
⑩x2



⑪x2

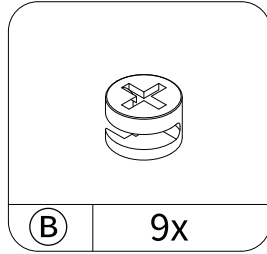
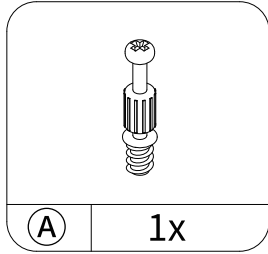
4

STEP 1

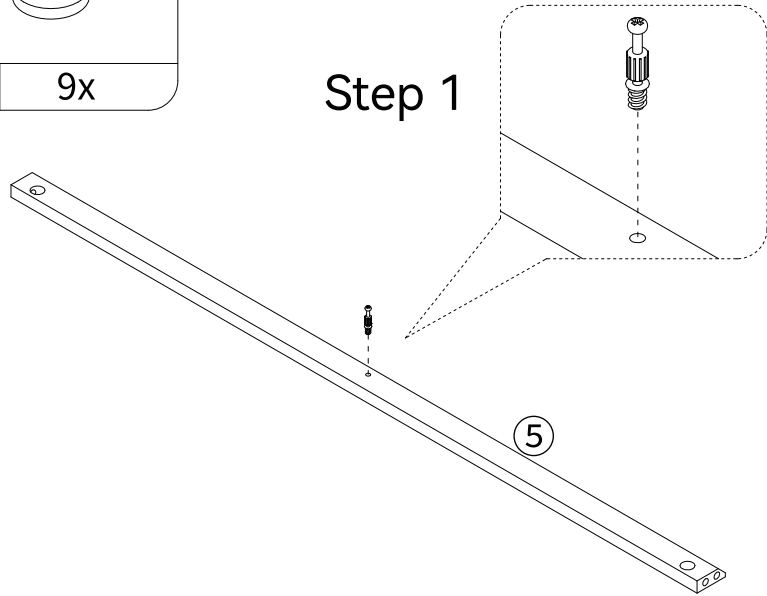


5

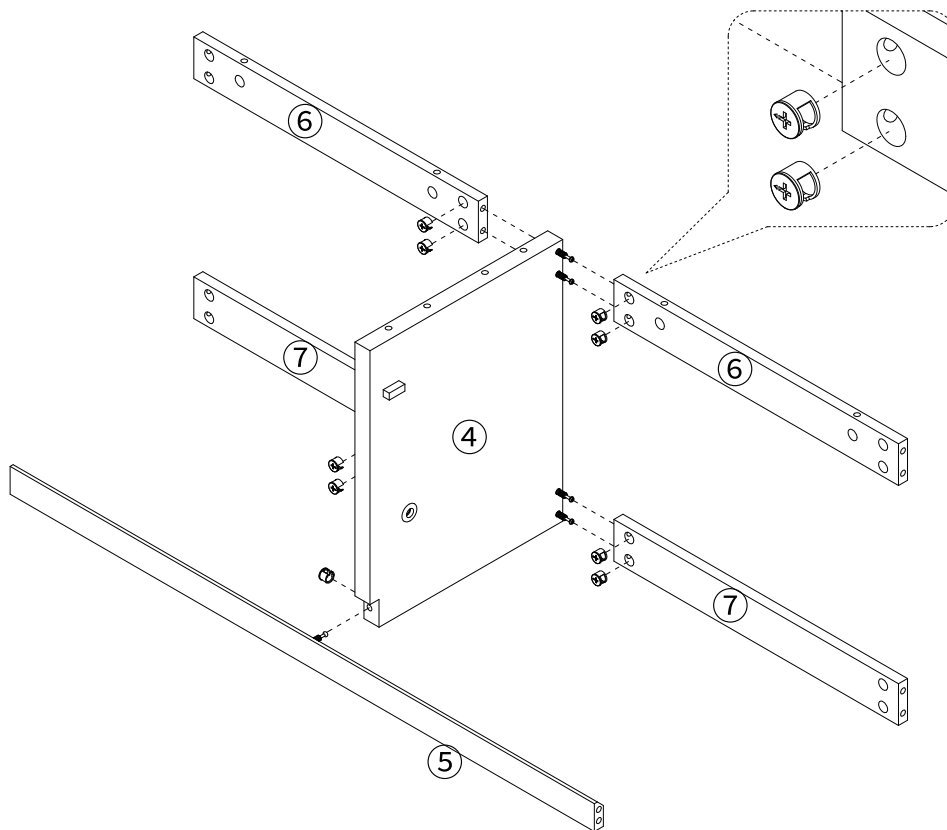
STEP 2



Step 1

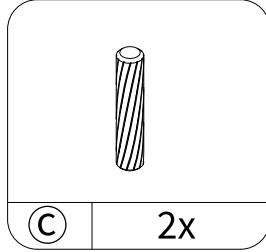
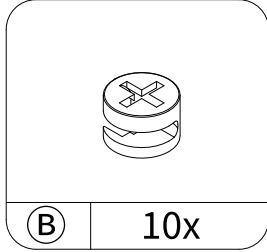


Step 2

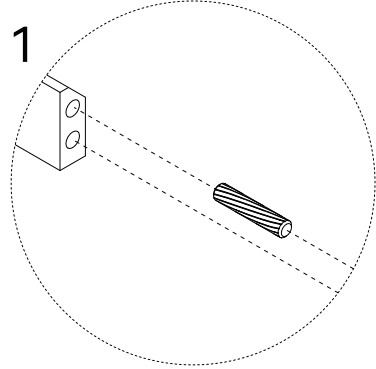


6

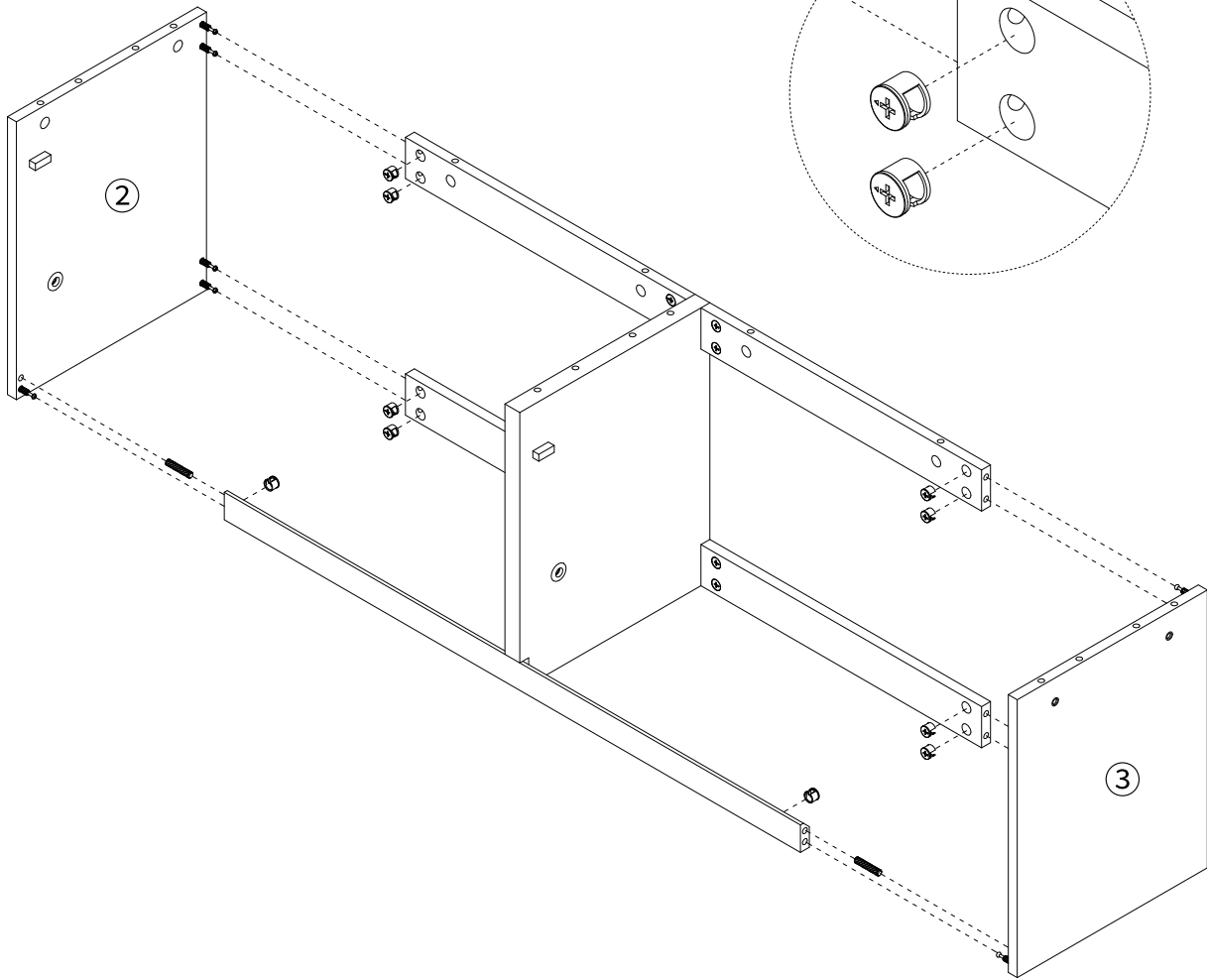
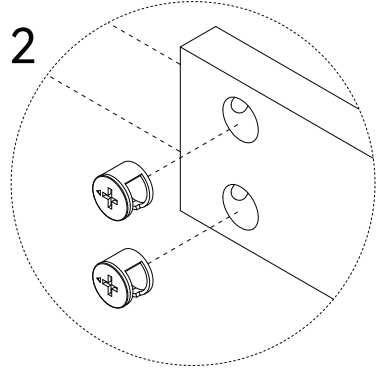
STEP 3



Step 1

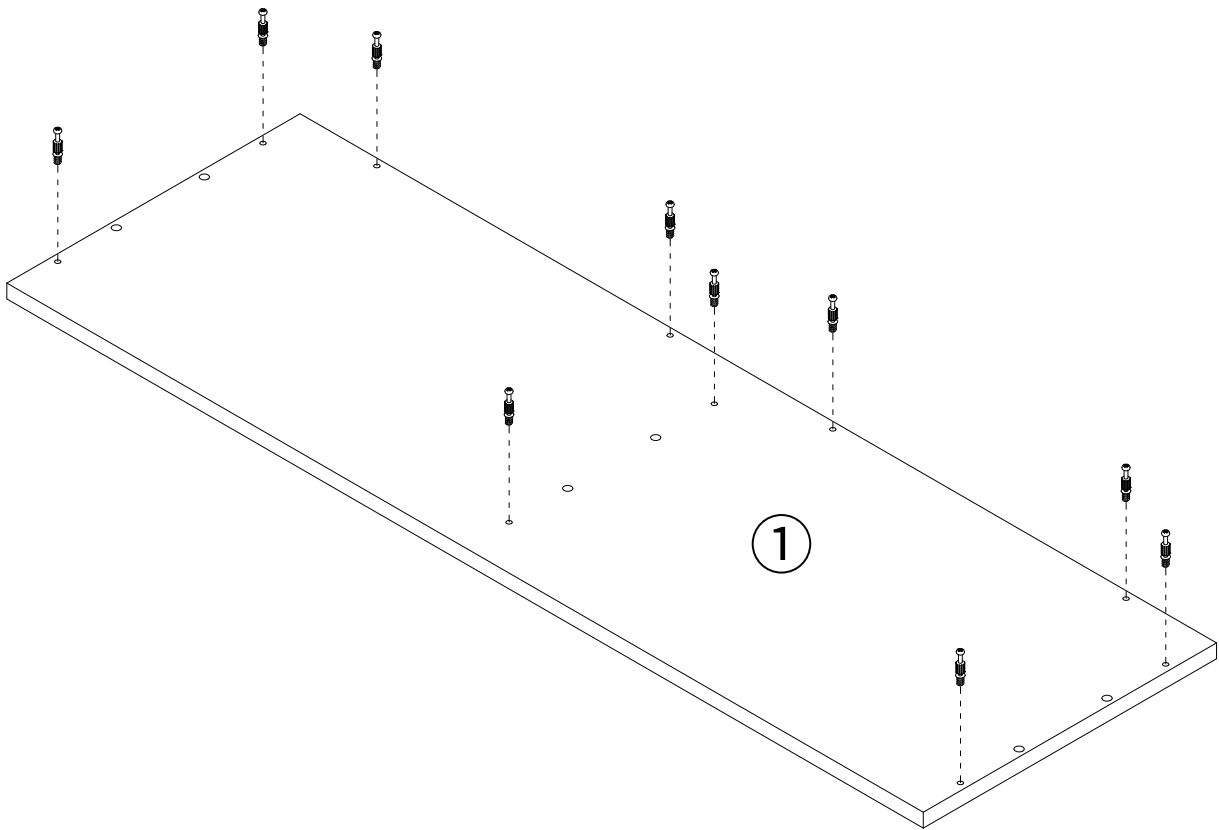
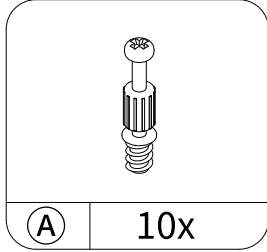


Step 2



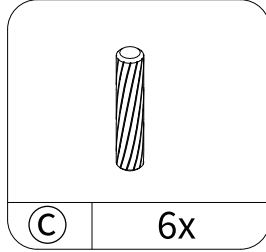
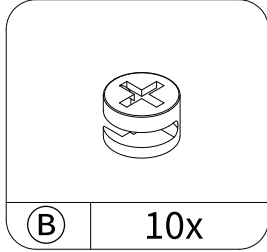
7

STEP 4

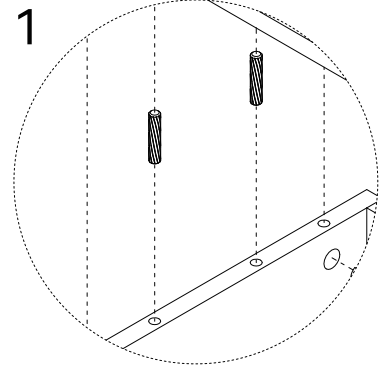


8

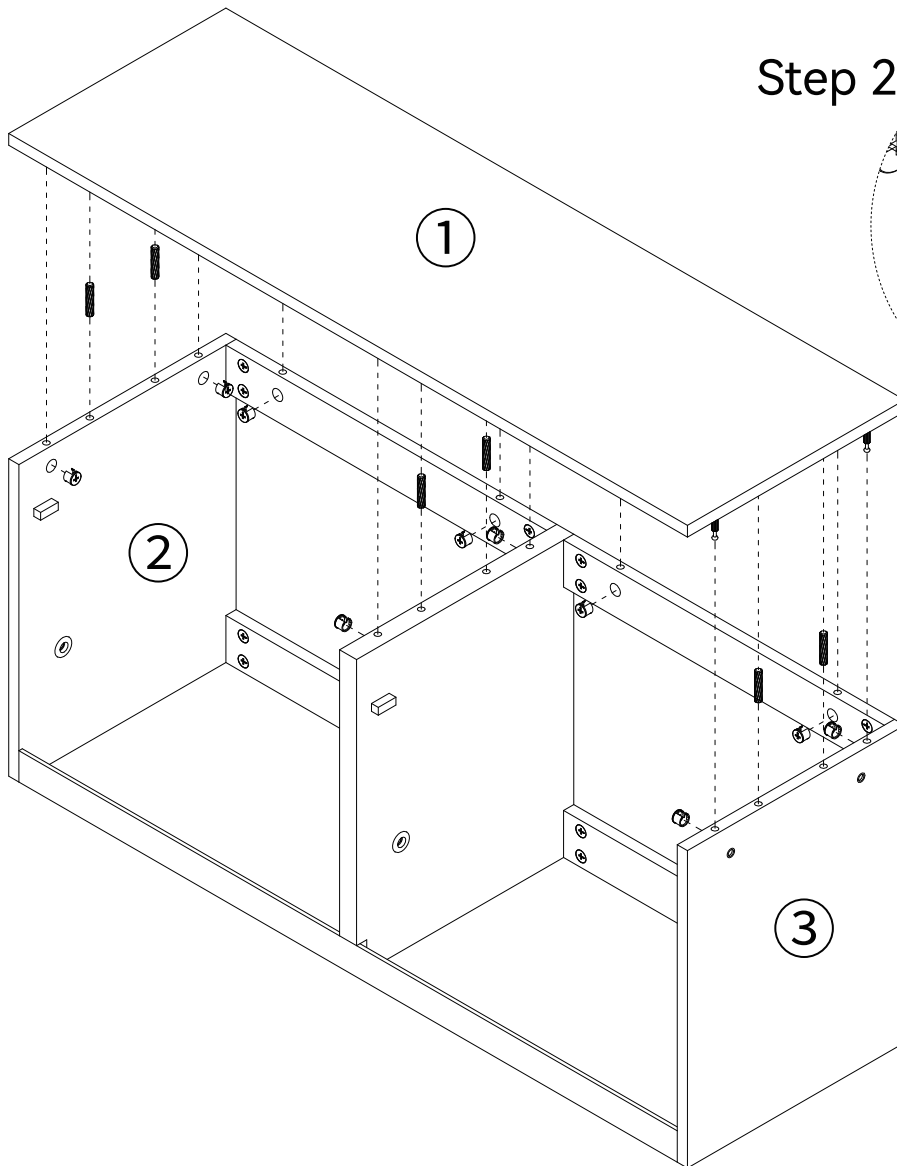
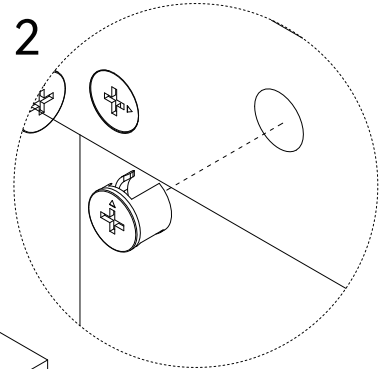
STEP 5



Step 1

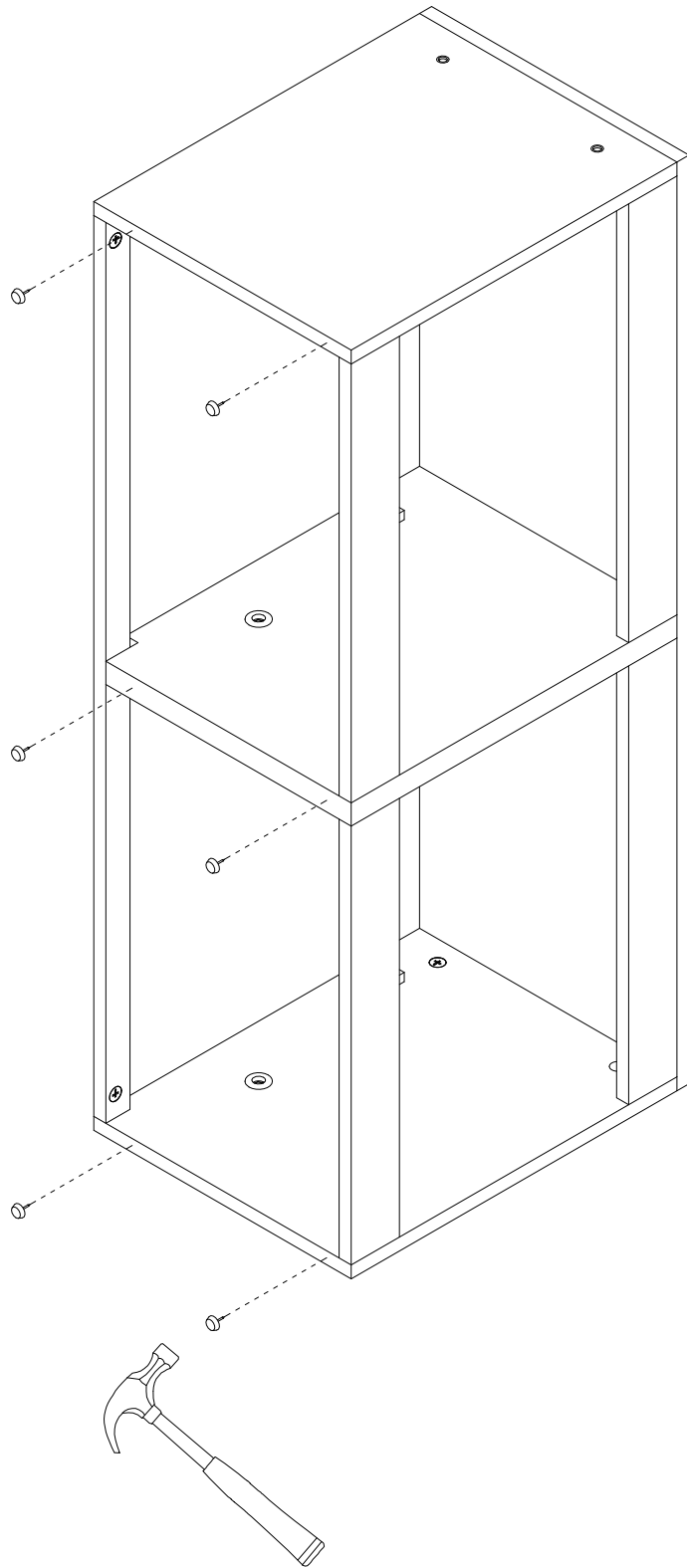
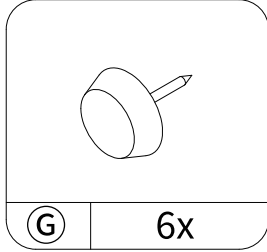


Step 2



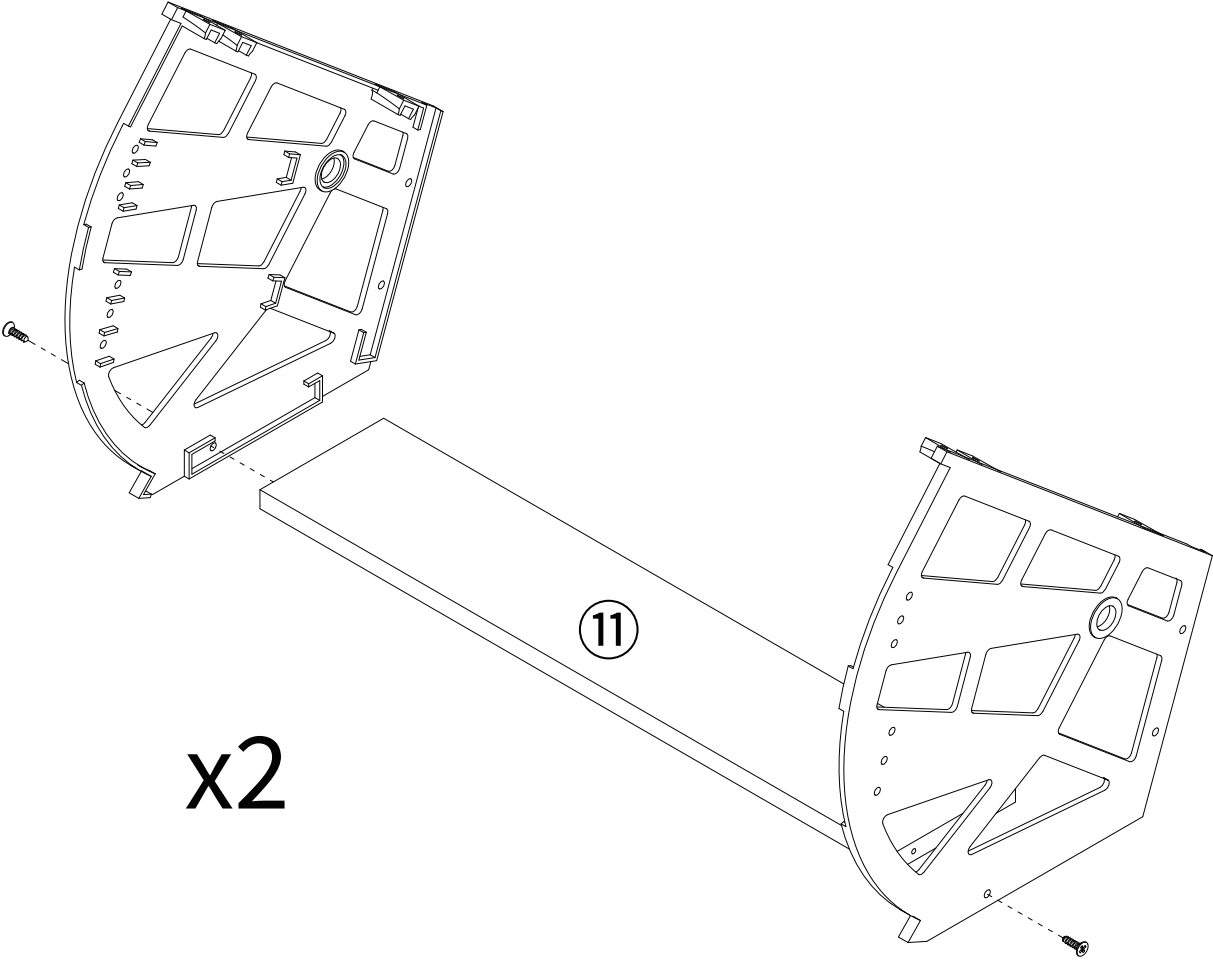
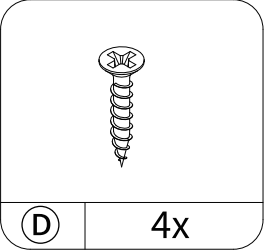
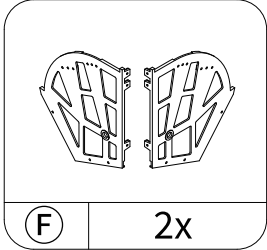
9

STEP 6



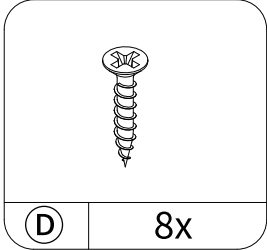
10

STEP 7

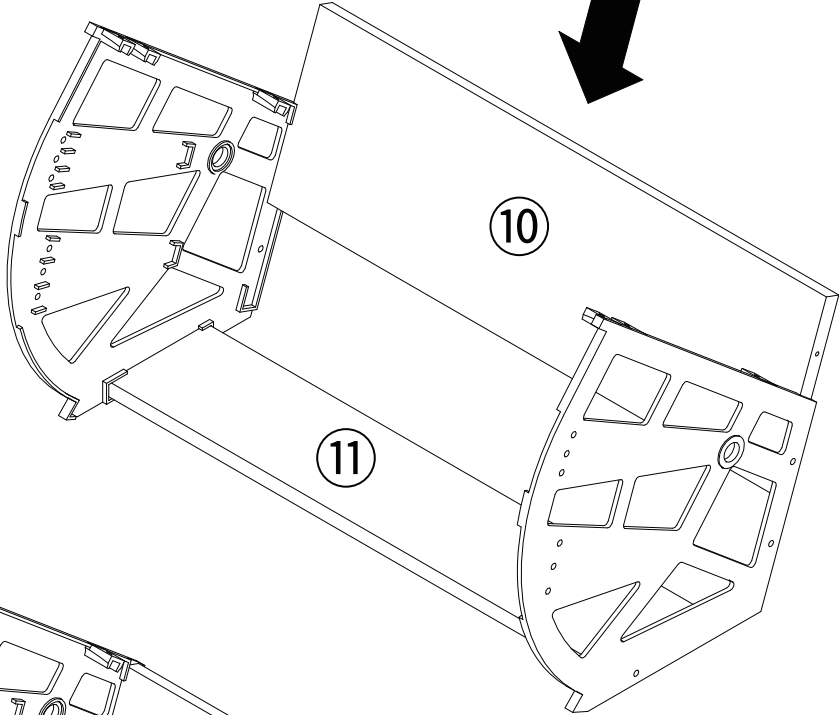


11

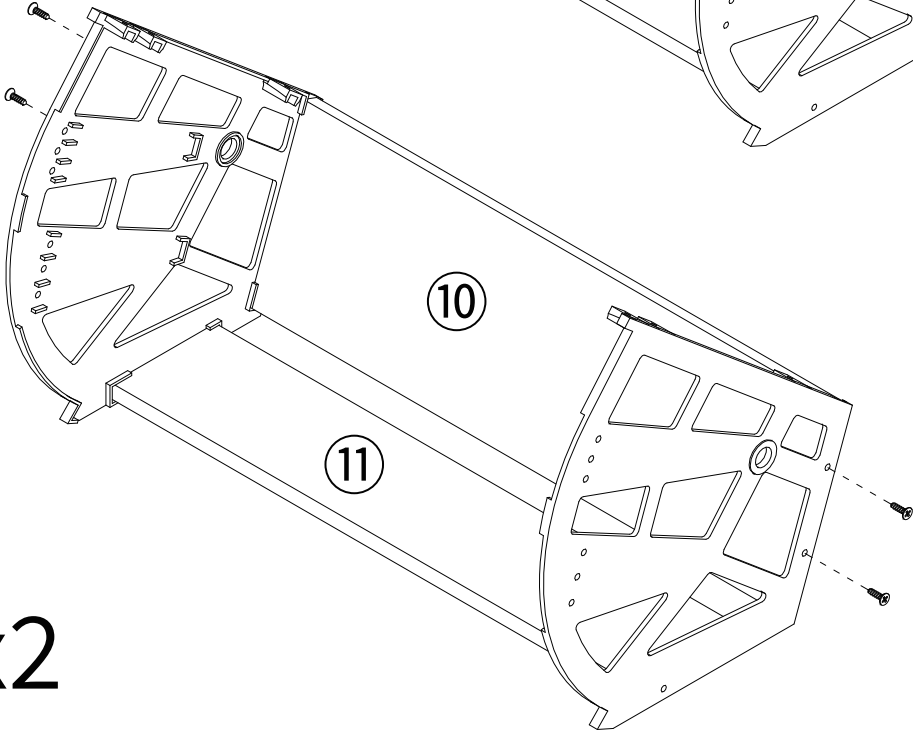
STEP 8



Step 1



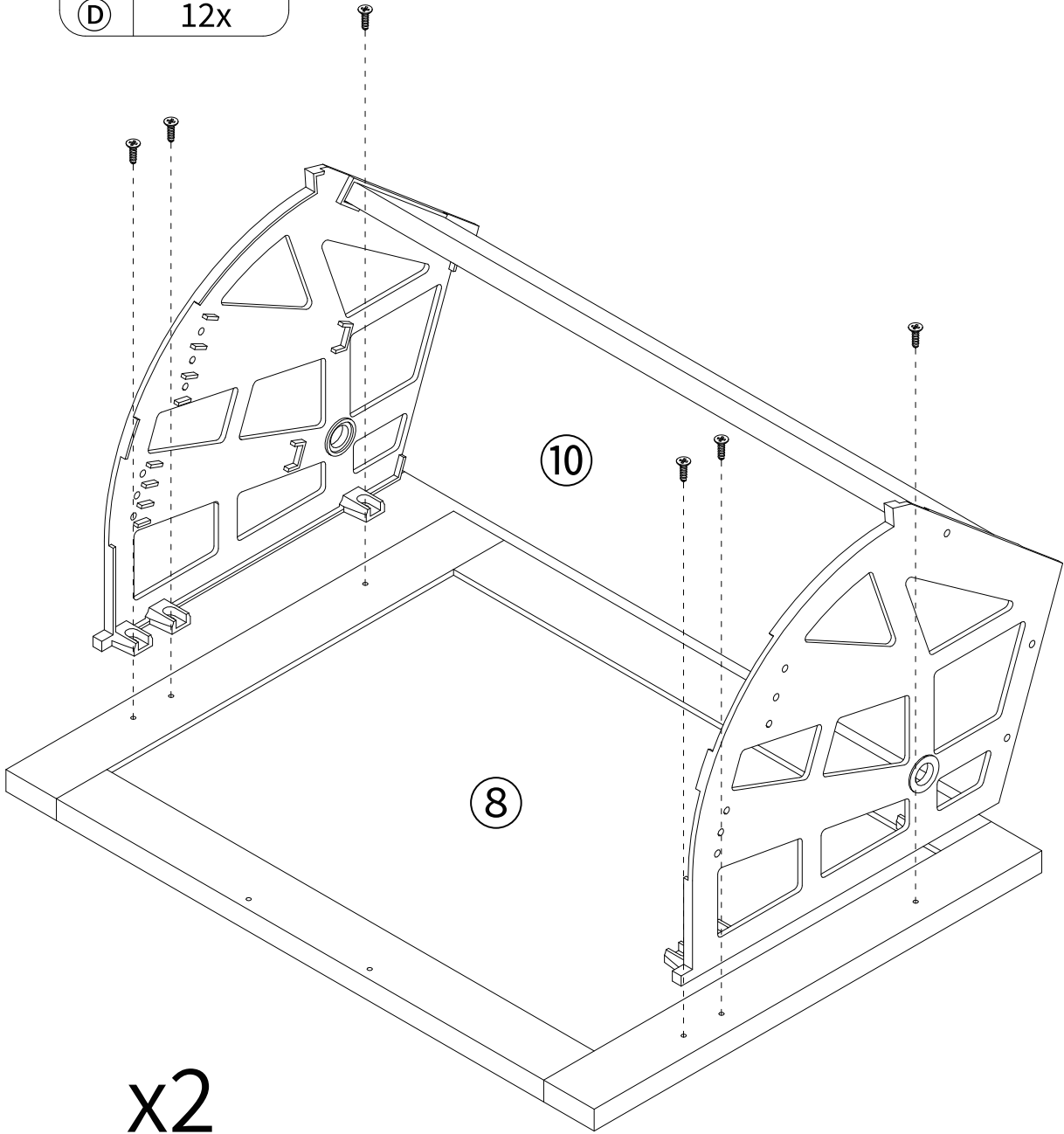
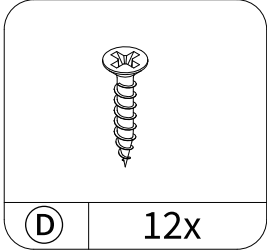
Step 2



x2

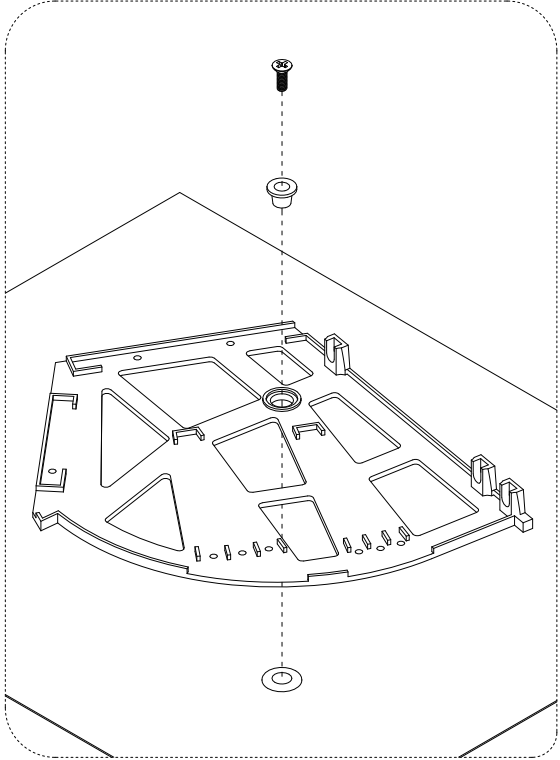
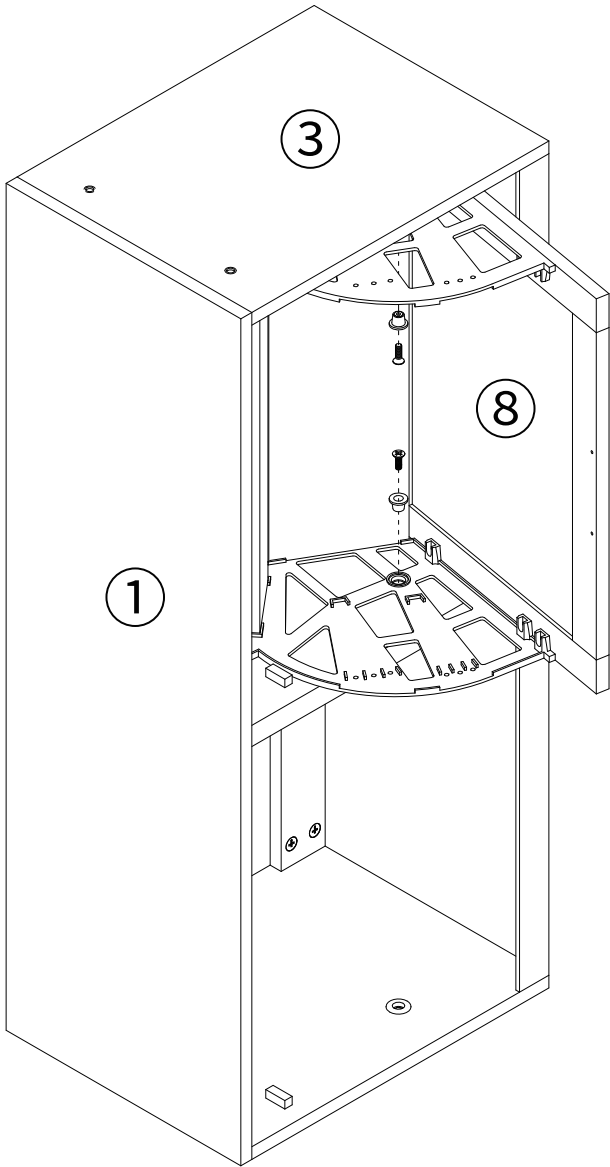
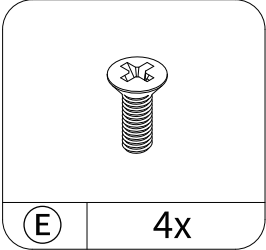
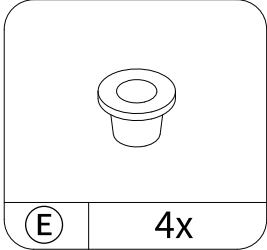
12

STEP 9



13

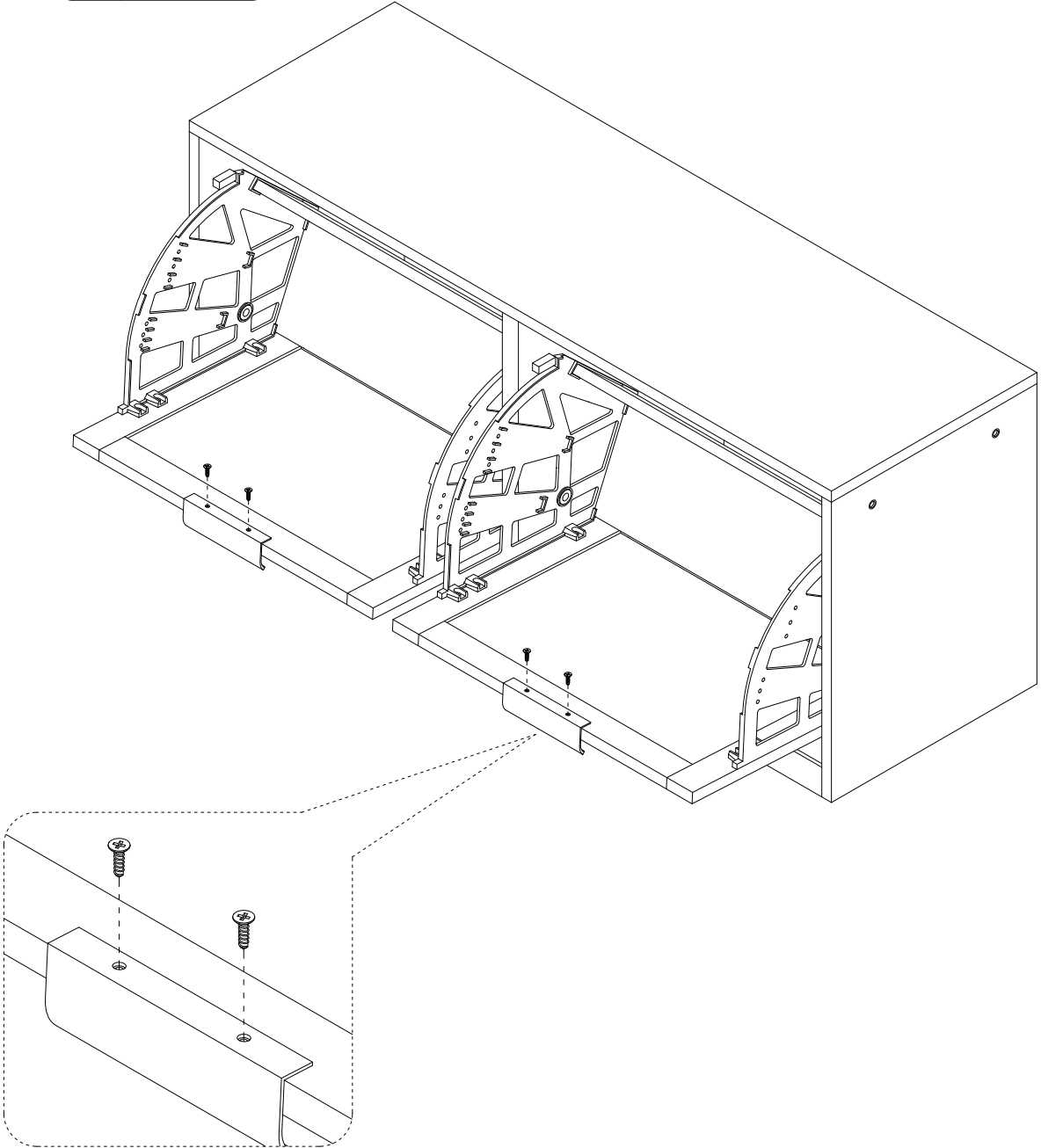
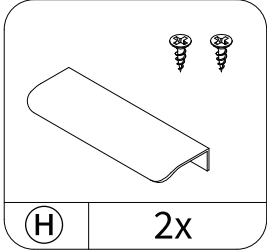
STEP 10



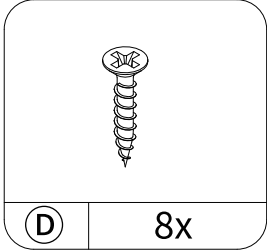
x2

14

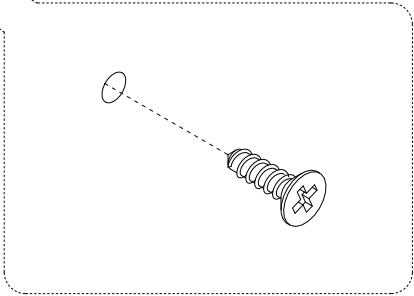
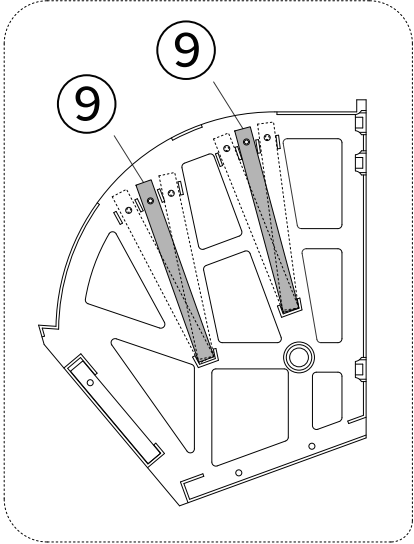
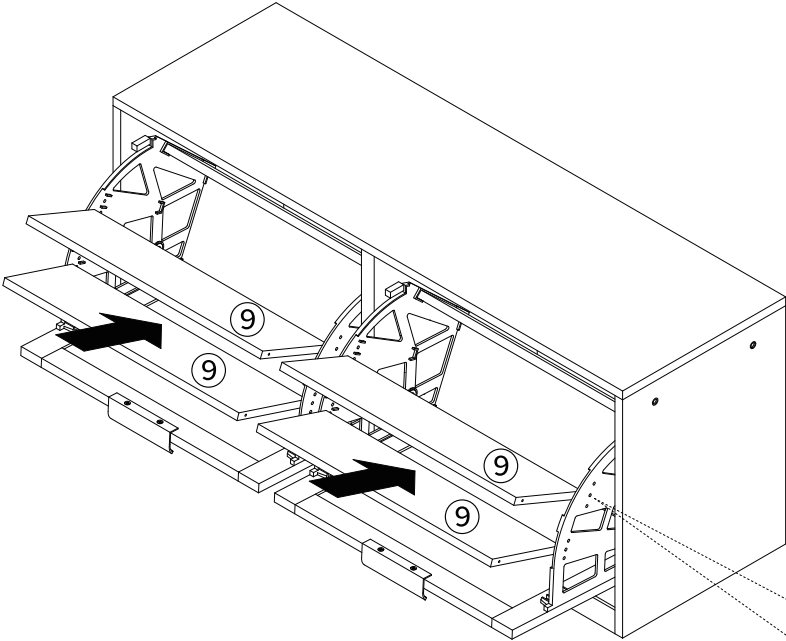
STEP 11



STEP 12

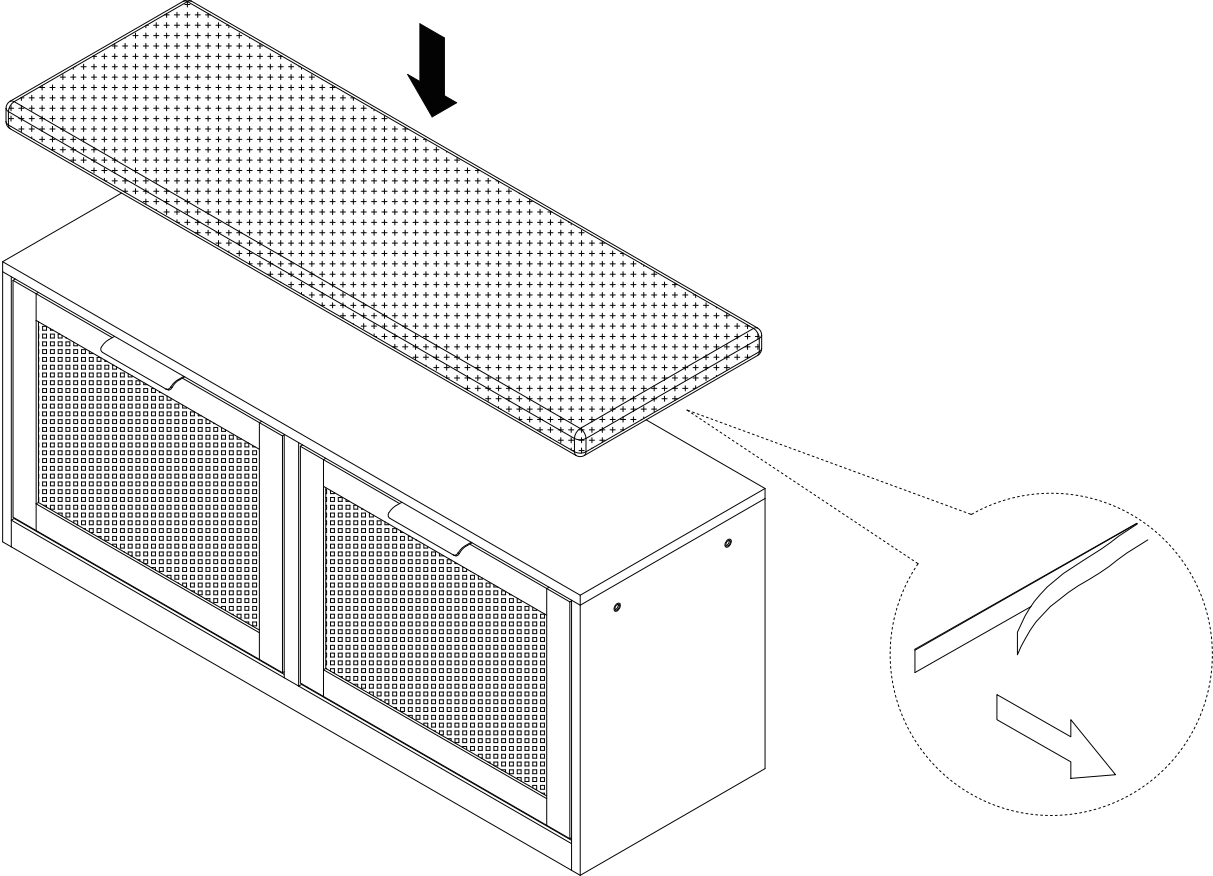
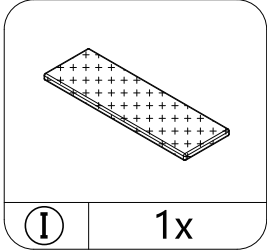


The board ⑨ can be adjusted according to actual needs. After adjustment, tighten the screws.

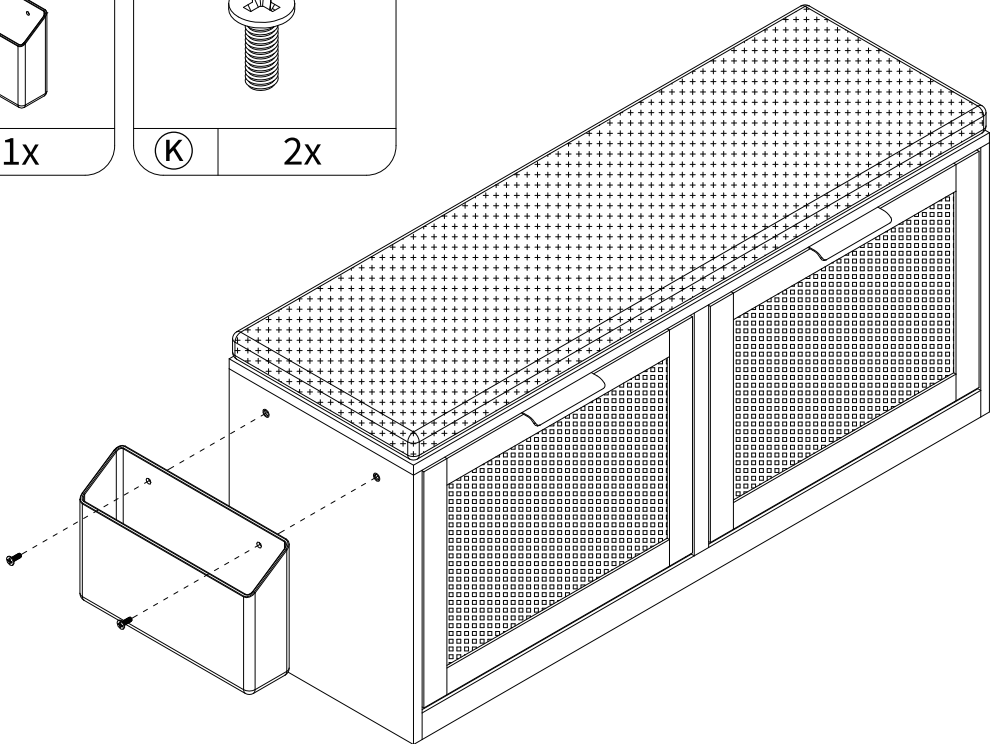
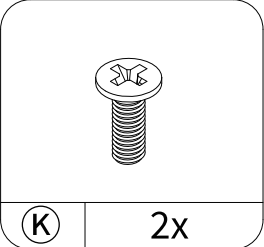
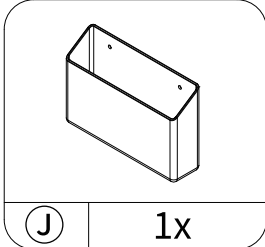


16

STEP 13



STEP 14



or

