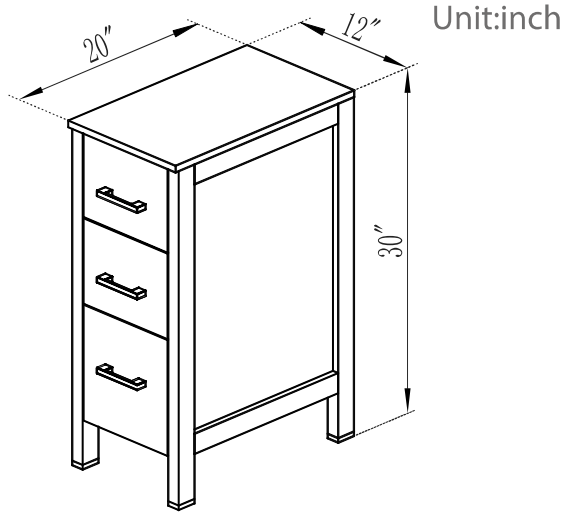




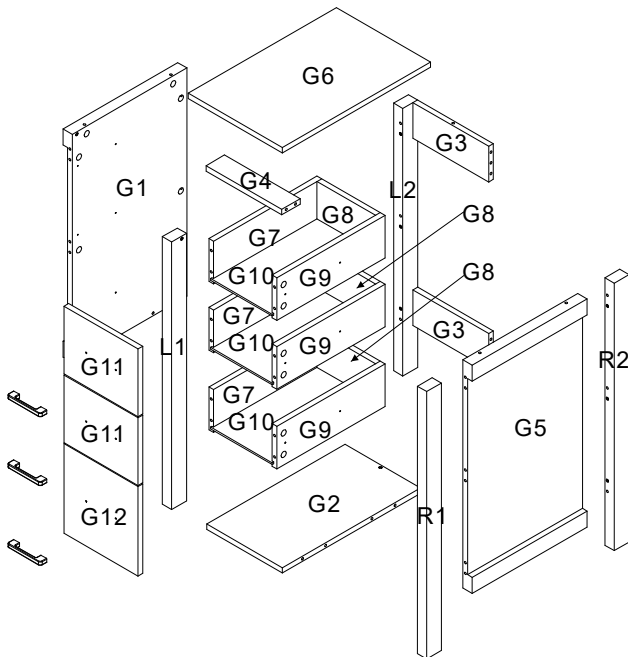
## INSTALLATION INSTRUCTIONS

\*Only including single side cabinet which with 3 drawers

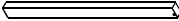
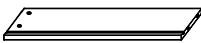
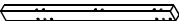

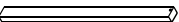

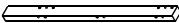

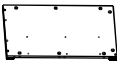


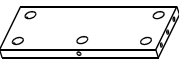

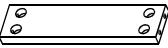










# DIMENSIONS



# ASSEMBLY DIAGRAM

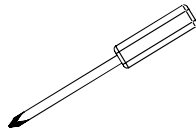
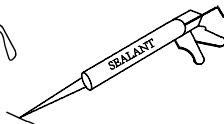
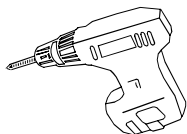


# PARTS LIST

PARTS LIST			HARDWARE LIST		
NO.	DESCRIPTION	QTY	NO.	DESCRIPTION	QTY
L1		1	G9		3
L2		1	G10		3
R1		1	G11		2
R2		1	G12		1
G1		1	HARDWARE LIST		
G2		1	A	 CAMLOCK	58
G3		2	B	 CAM SCREW	58
G4		1	C	 CAMLOCK COVER	58
G5		1	D	 WOODEN DOWEL	22
G6		1	E		6
G7		3	F	 SCREW	36
G8		3	G	 HANDLE	3
			H	 HASCREW (M4X20mm)	6

**CAUTION:** Please confirm the parts list before installtion

**YOU MAY NEED (NOT SUPPLIED)**

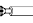


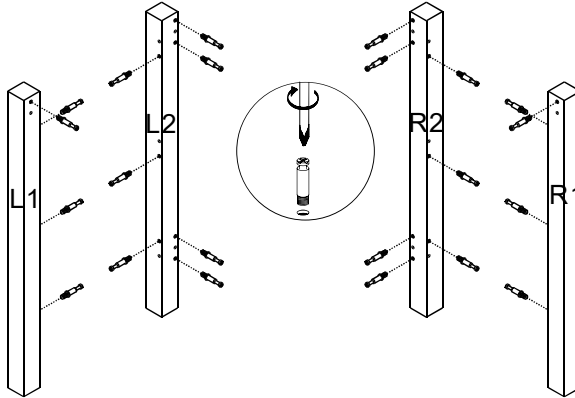
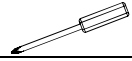
# INSTALLATIONS

## STEP1

- Insert the cam screw into the shelves above.

### HARDWARE LIST

B  22PCS



## STEP2

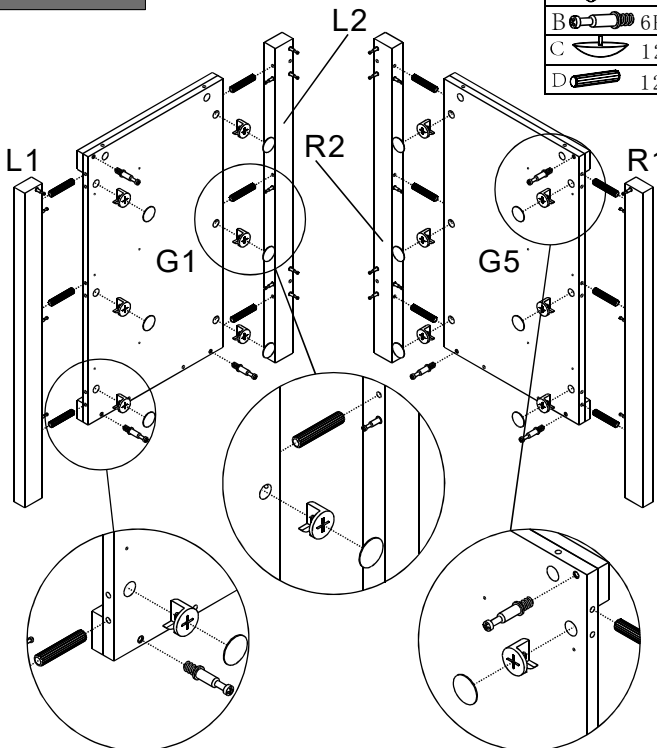
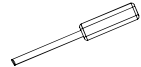
### HARDWARE LIST

A  12PCS

B  6PCS

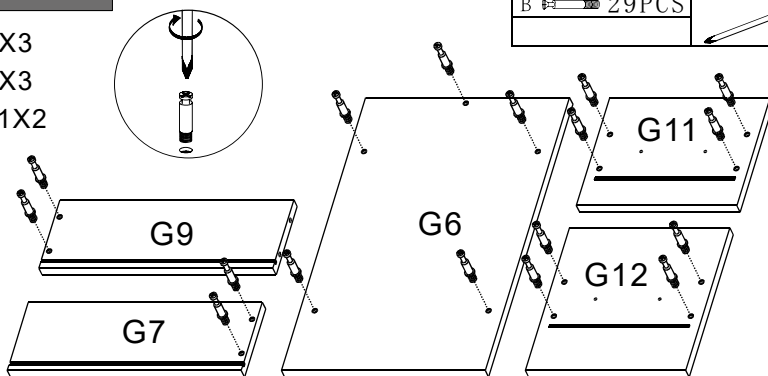
C  12PCS

D  12PCS



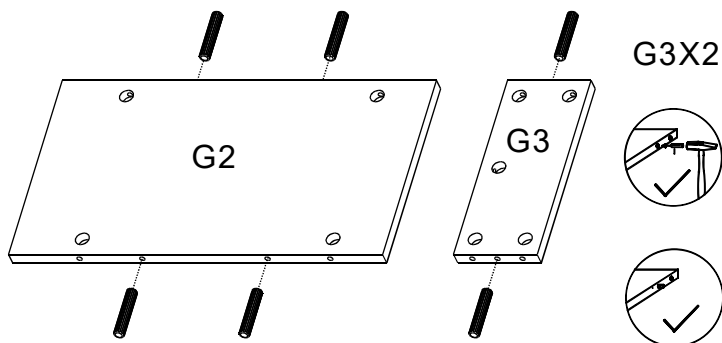
### STEP3

G7X3  
G9X3  
G11X2



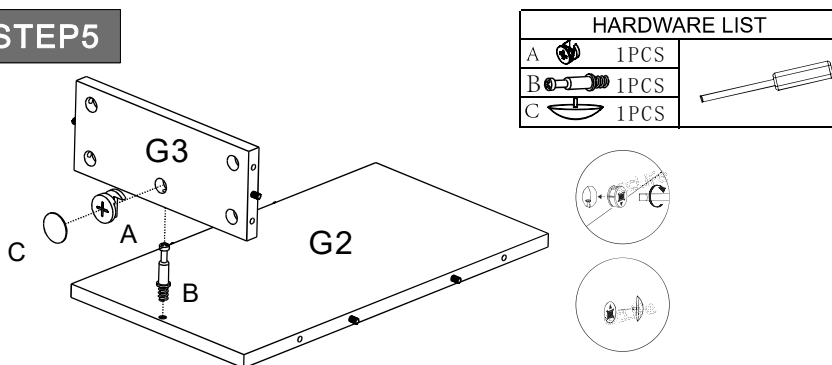
- Insert the cam screw into the shelves above,

### STEP4




- Insert the wooden dowel pins into the shelves.

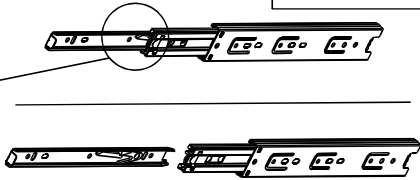
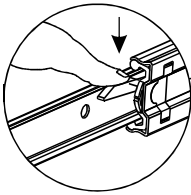
### STEP5



- Insert shelves G2 and G3 downwards to their corresponding positions. then tighten the cam lock with the cover.

## STEP6



HARDWARE LIST	
E	 6PCS

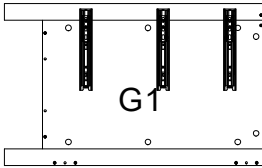


E-2 ← → E-1

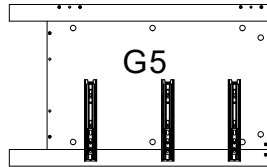
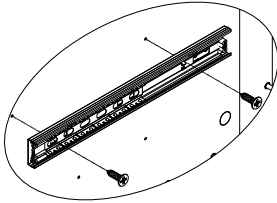
- Press the button and extend the slide slowly. Then separate it with the release latch. Repeat these steps for the other slides.

## STEP7

HARDWARE LIST	
E	 12PCS
	





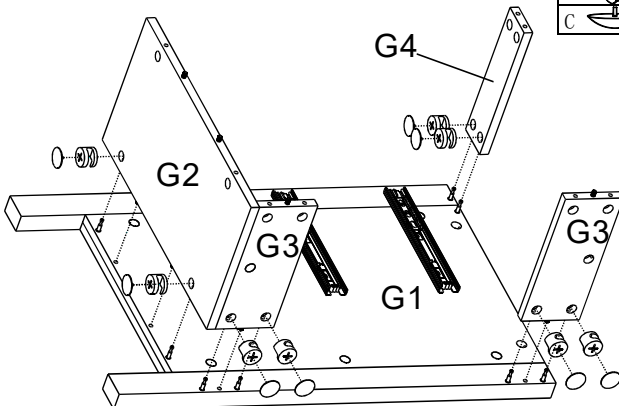
6PCS E-1



- Insert the screws to connect the slides (E-1) to the shelves.


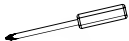

## STEP8

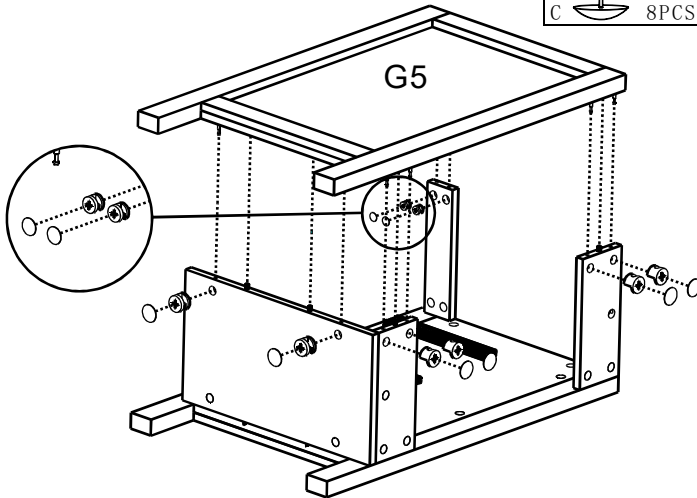
HARDWARE LIST	
A	 8PCS
C	 8PCS
	



- Insert shelves G1, G2 and G3 downwards to their corresponding positions, then tighten the cam lock.


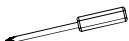

## STEP9

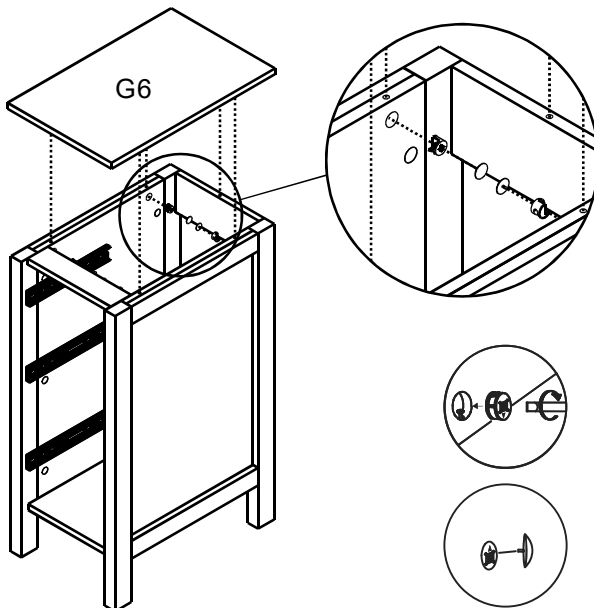
HARDWARE LIST			
A		8PCS	
C		8PCS	



- Insert shelves G5 downwards to their corresponding positions, then tighten the cam lock.



## STEP10

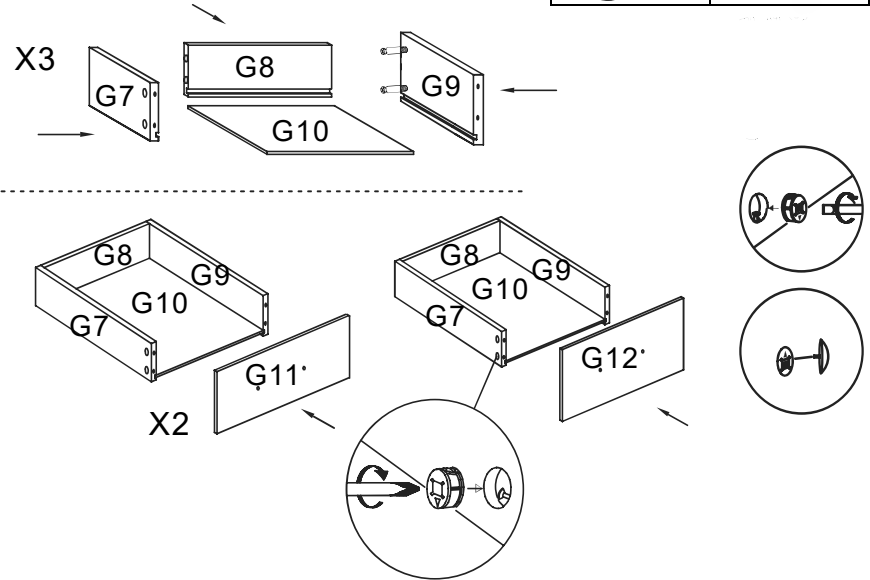
HARDWARE LIST			
A		5PCS	
C		5PCS	



- Insert shelves G6 downwards to their corresponding positions, then tighten the cam lock.



# STEP11

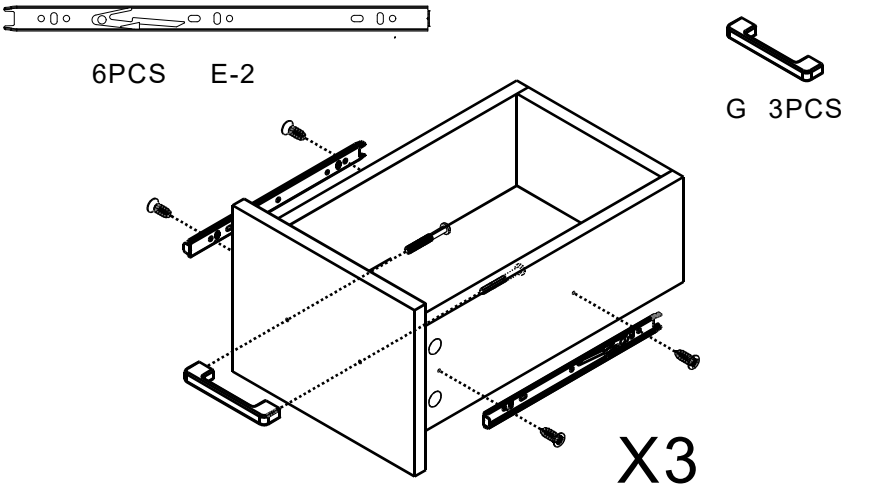
HARDWARE LIST		
A		24PCS
C		24PCS



- G7,G8,G9,G10 in order,and then install shelves G11/G12.

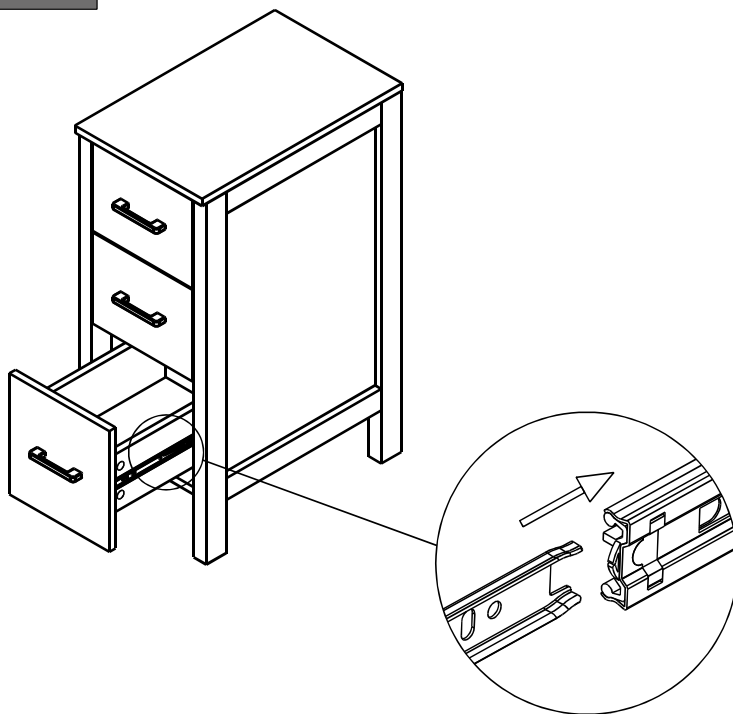
# STEP12

HARDWARE LIST		
F		12PCS
H		6PCS



- Use H screws to fix the handle on the shelf G11/G12.repeat for the second drawer.
- Insert the screws to connect the slides (E-2) to the drawer side.

## STEP 13



## CARE AND CLEANING

1. Many cleansers contain abrasive and chemical substance which is not suitable for cleaning stainless steel, enamel, plating or plastic products. You may use mild cleansers or soaps to clean the surfaces. Wipe any splashes of cleaner solutions from the surface with a clean soft cloth.
2. Maintain ventilation in the bathroom and separate the dry area from the damp one if conditions permit. Try to open the door and windows of the bathroom to maintain adequate ventilation.
3. This cabinet is built to withstand normal bathroom humidity. For best results, keep this vanity dry and take necessary steps to minimize bathroom humidity by opening windows and doors and using the exhaust fan (if available).
4. To maintain the cabinet door, clean and wipe the door regularly with a soft cloth. Wipe condensation with a dry, soft cloth. Keep away from fires and high temperatures.
5. Please do not sit, lean or step on the basin cabinet.

Thank you very much for purchasing from us.

We have always been trying to provide the best service and reliable products for every customer.

We sincerely hope you will be satisfied with our products and leave us FIVE STARS and POSITIVE feedback/review in our page.

However, accident may happen sometimes, please contact us to resolve any issue before leaving a negative feedback.

Many thanks and welcome to our shop again!