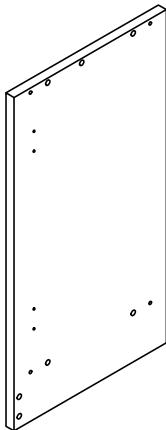
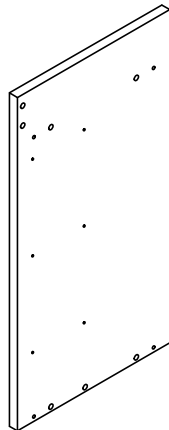


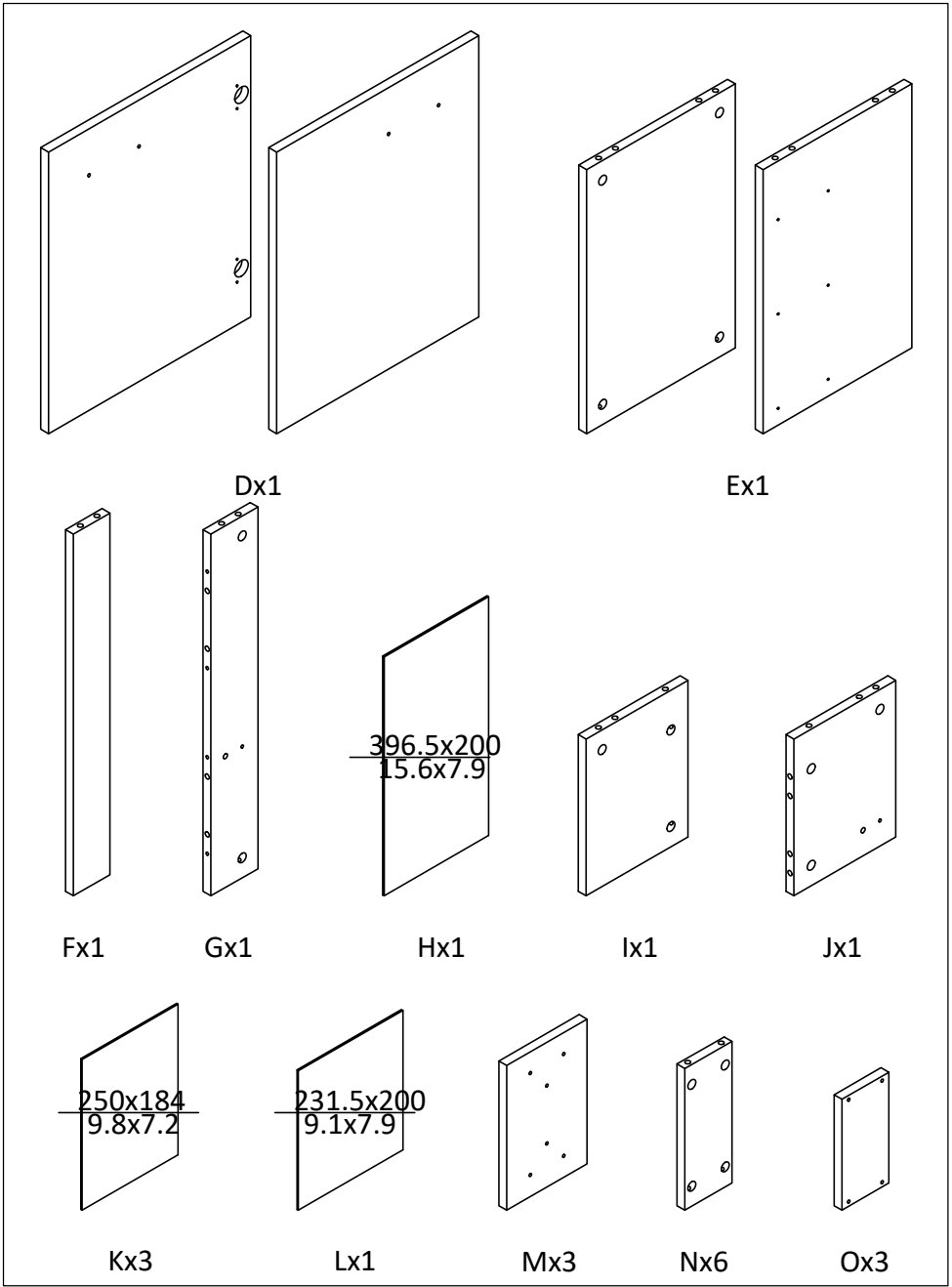
Ax1

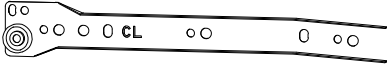


Bx1

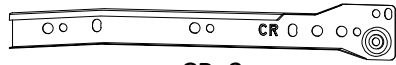


Cx1





CLx3



CRx3



DLx3



DRx3



Px22



Qx40



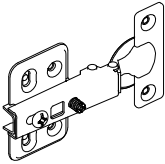
Rx40



Sx12  
M3.5x  $\frac{15}{0.6}$



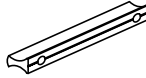
Tx24  
M3.5x  $\frac{12}{0.5}$



Ux2



Vx44



Wx4



Xx8



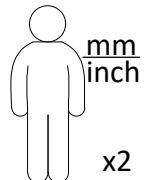
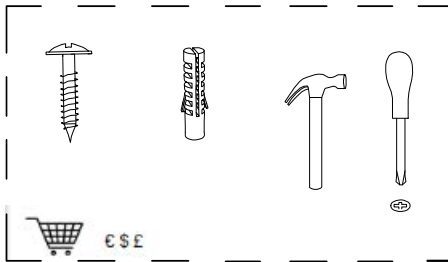
Yx1



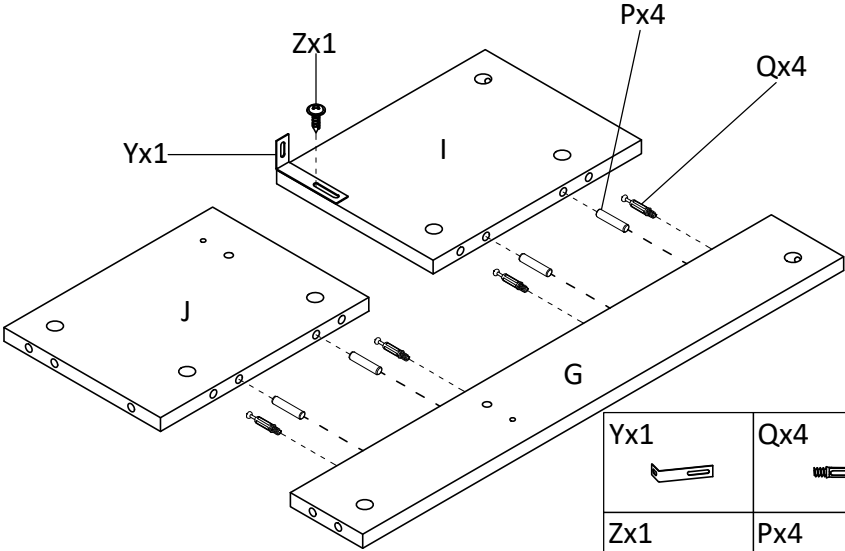
Zx4




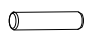


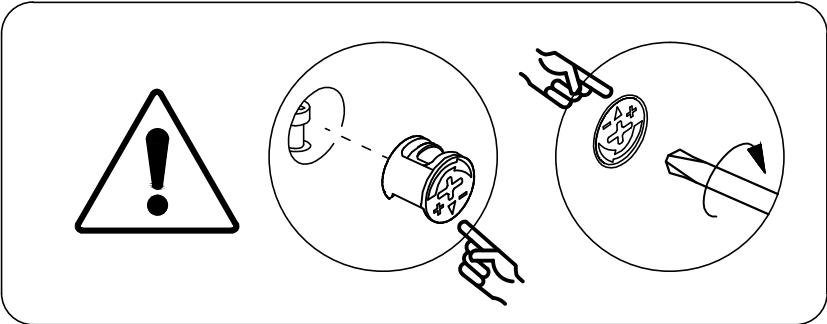
AAx3

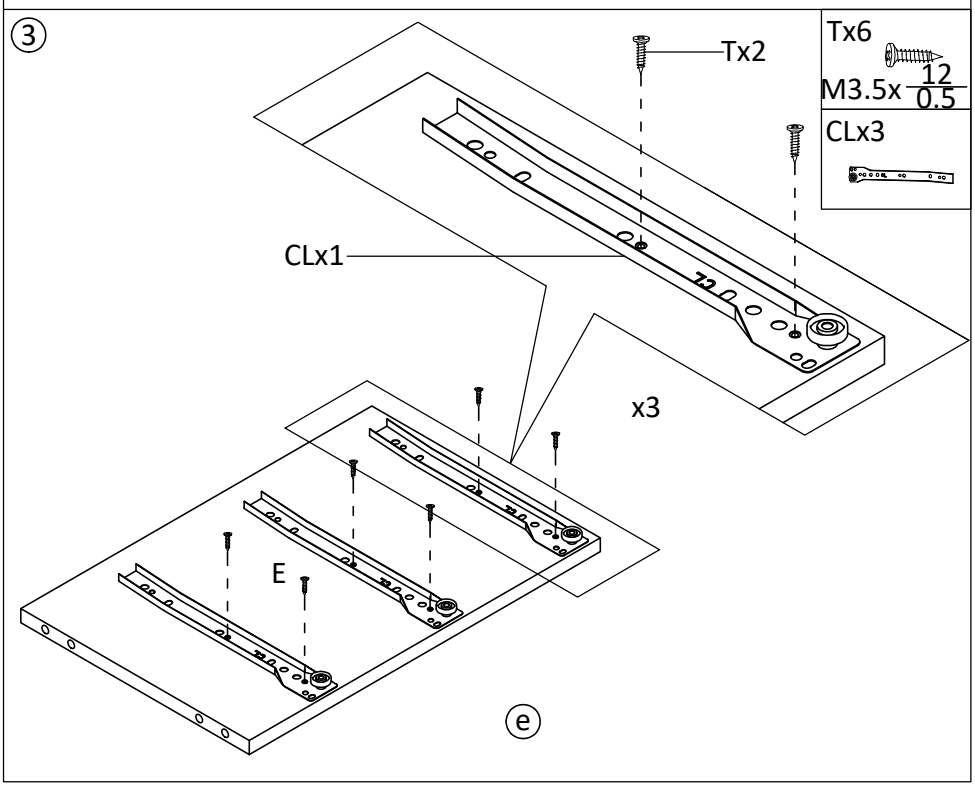
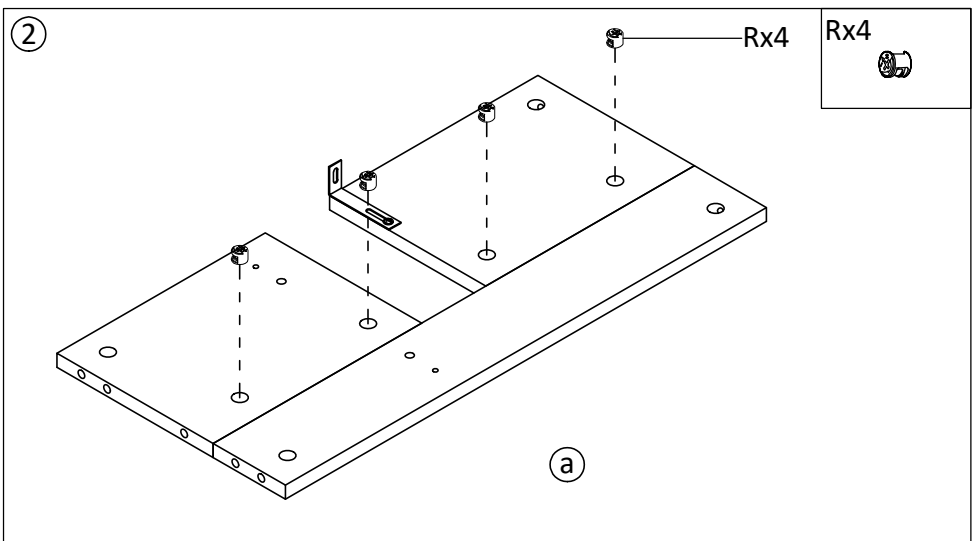


①





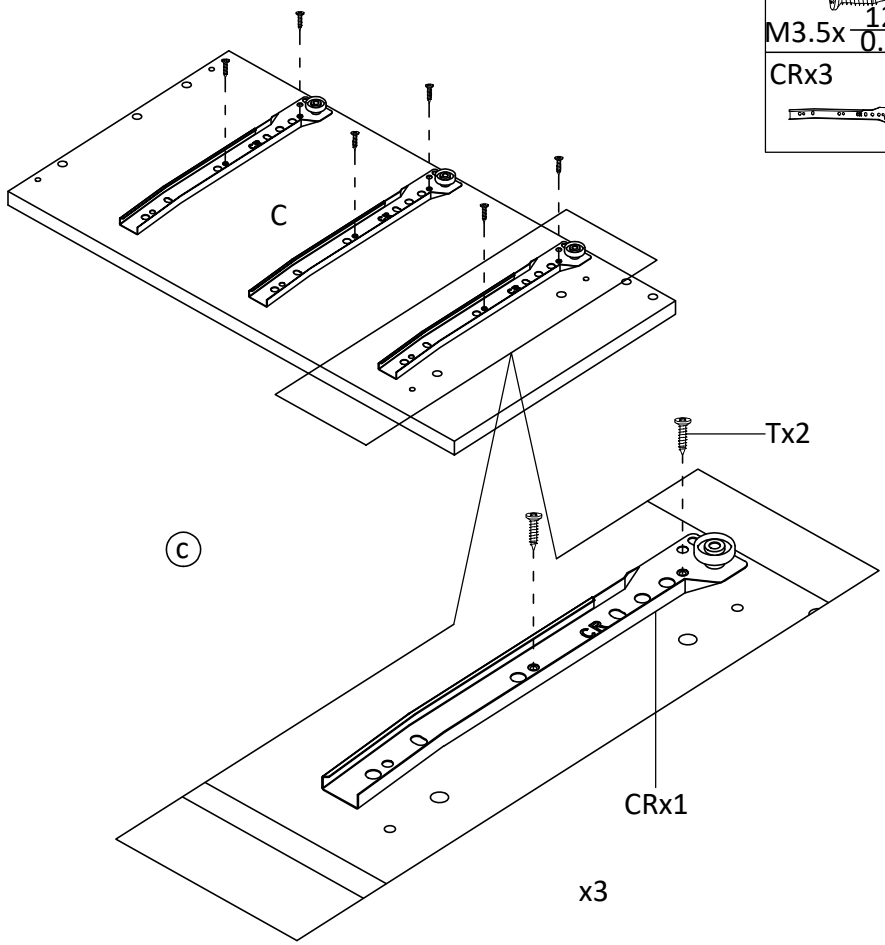
Yx1 	Qx4 
Zx1 	Px4 

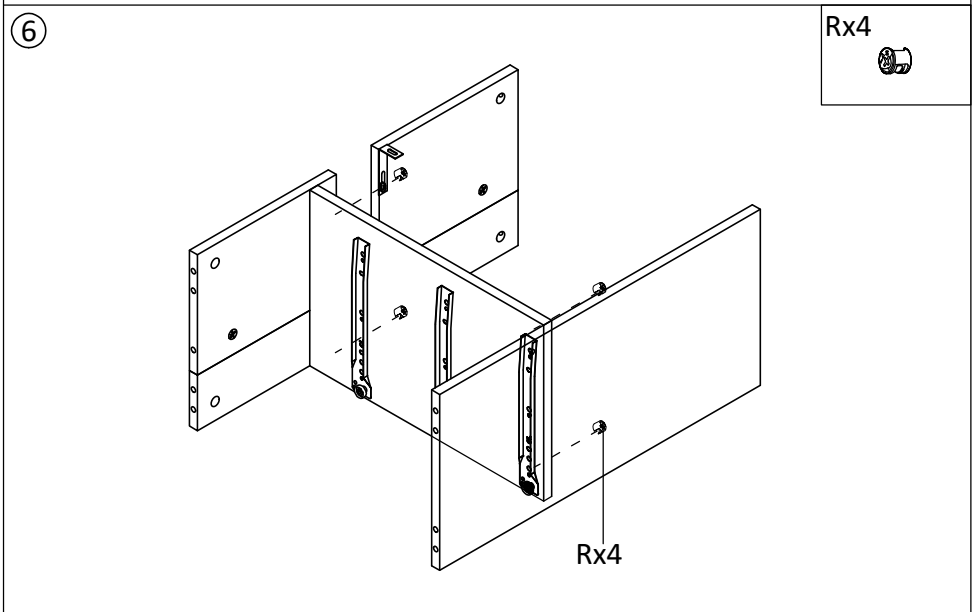
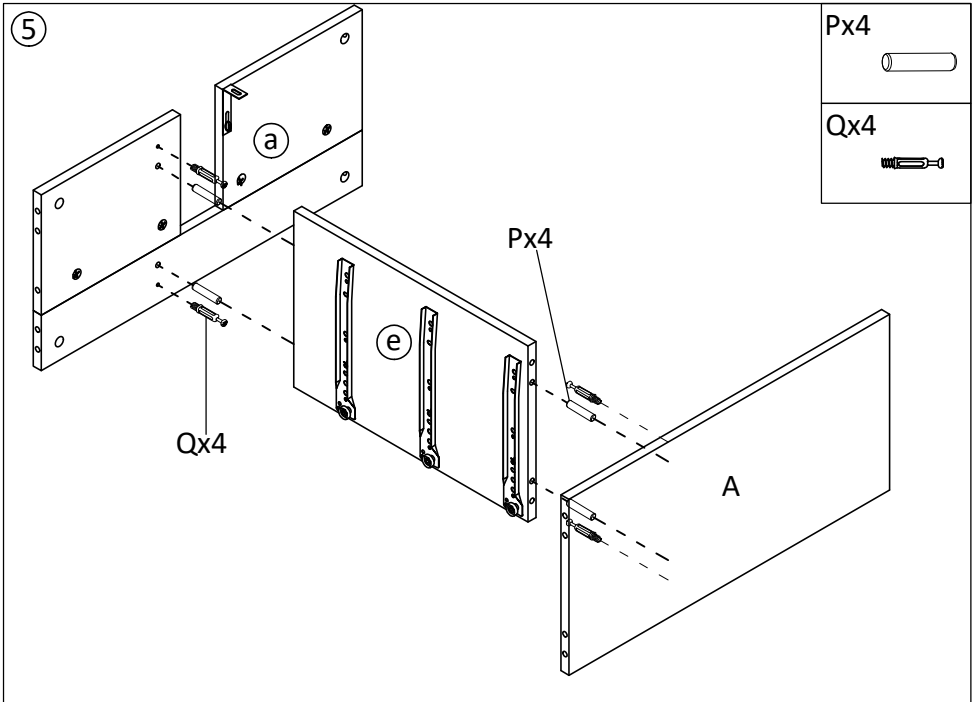


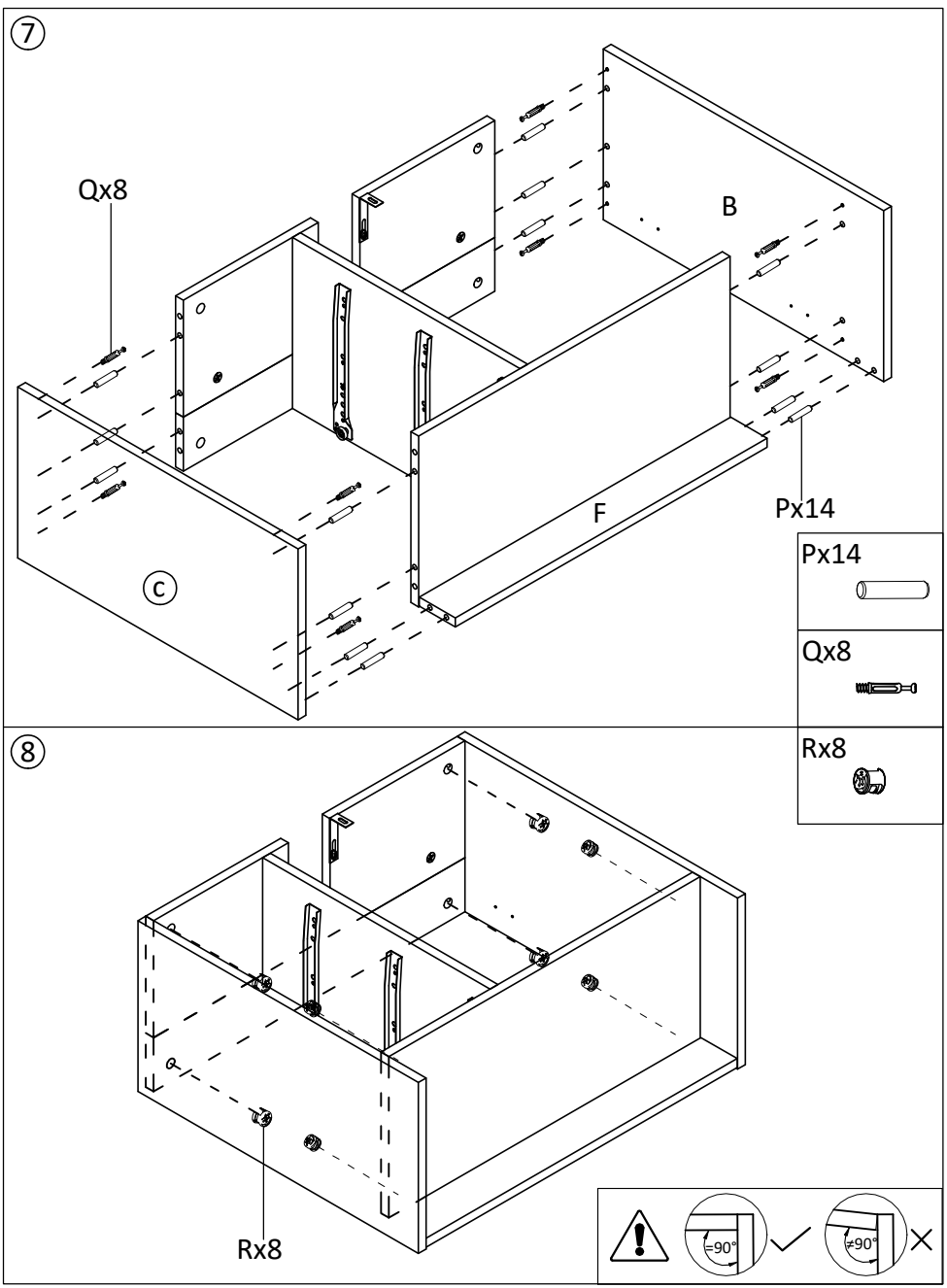


4

Tx6	
M3.5x	$\frac{12}{0.5}$
CRx3	

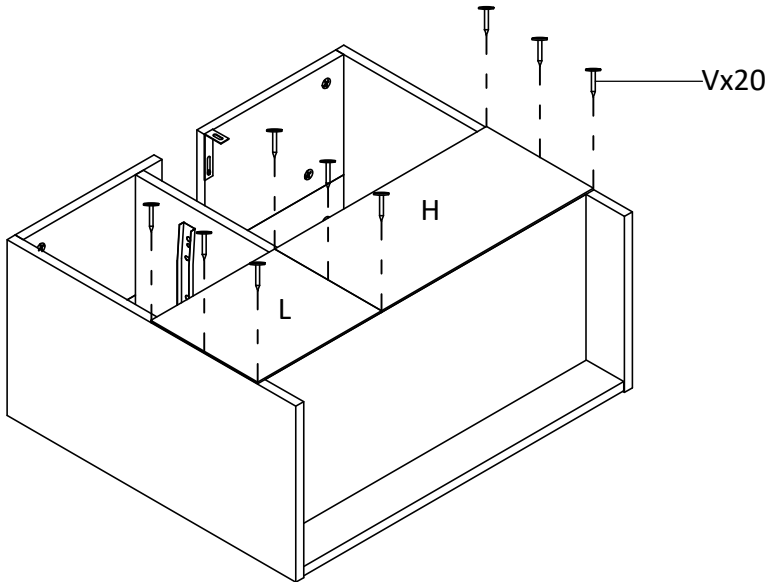




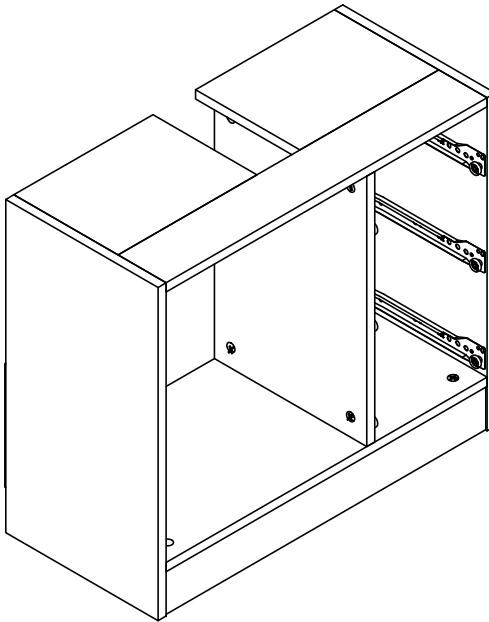
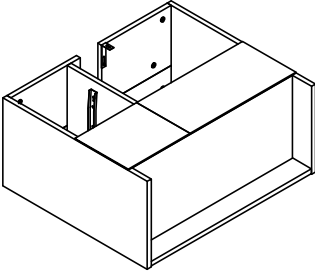
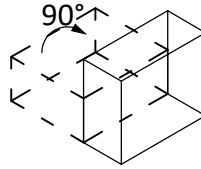
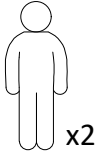


9

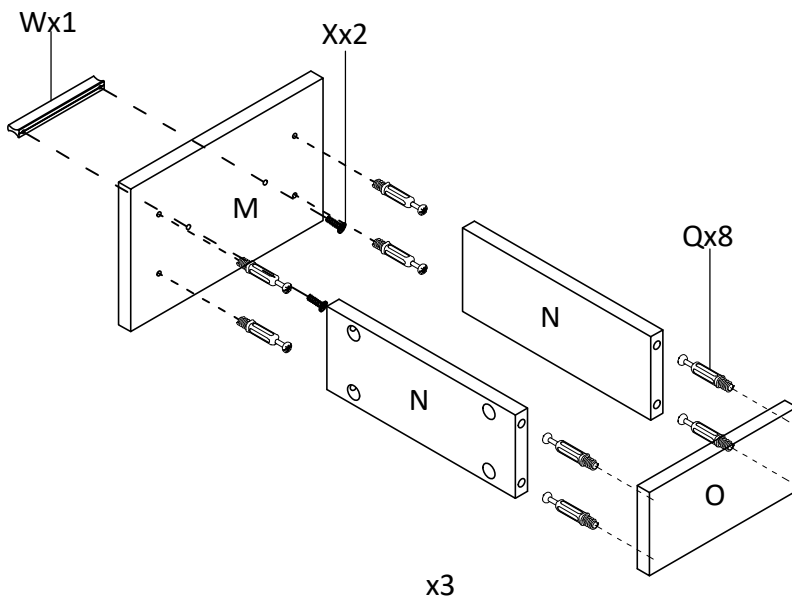
Vx20



10



11



Qx24



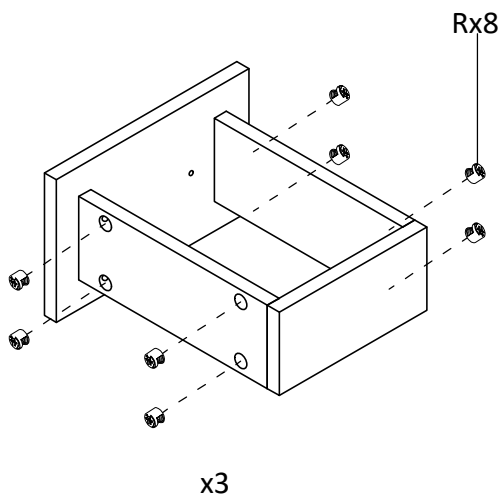
Xx6



Wx3

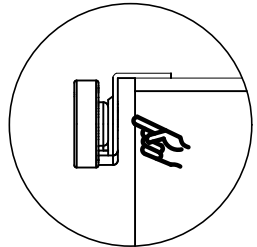
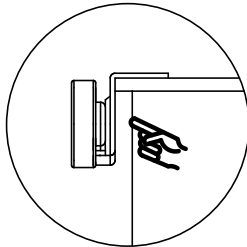
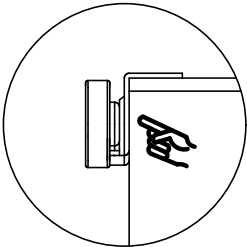


12

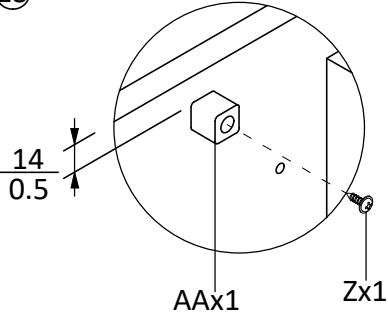


Rx24





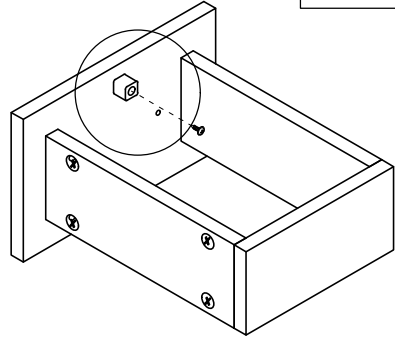
13



Zx3

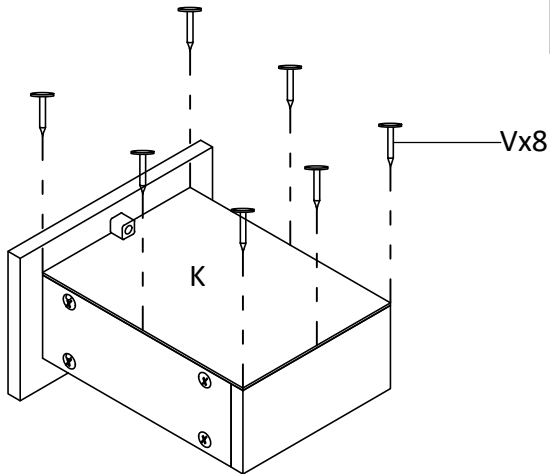


AAx3



x3

14

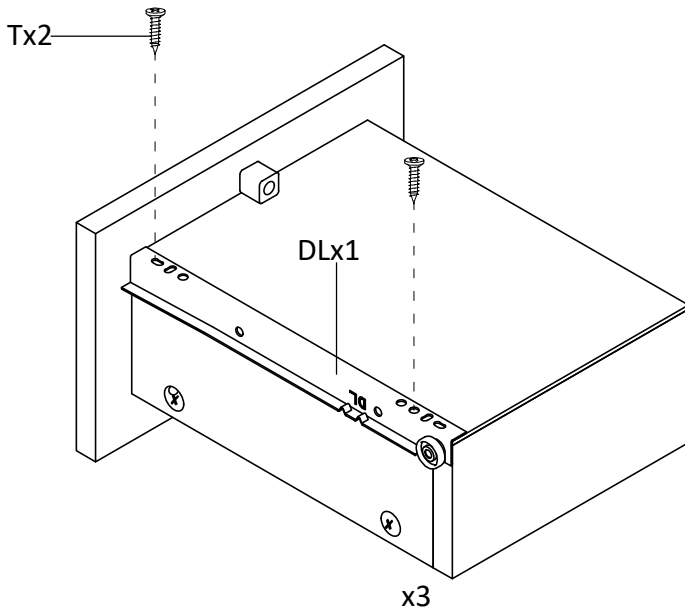


Vx24




x3

15




Tx6

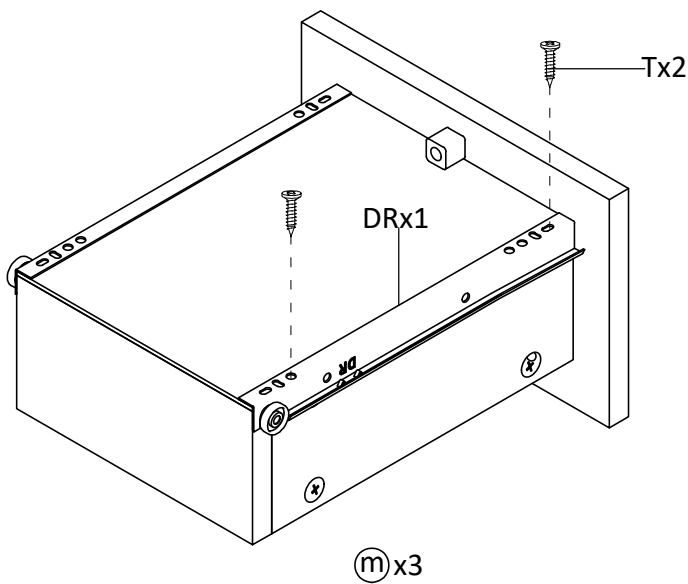


M3.5x  $\frac{12}{0.5}$


DLx3



16




Tx6

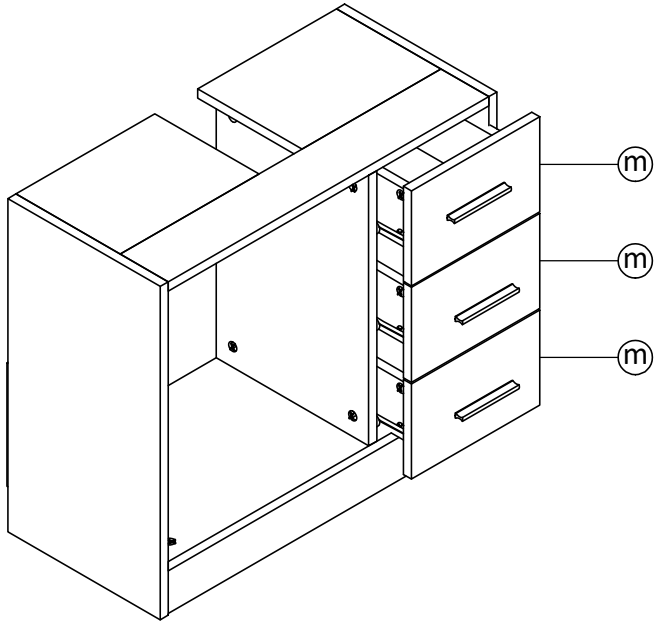


M3.5x  $\frac{12}{0.5}$

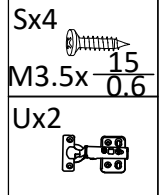
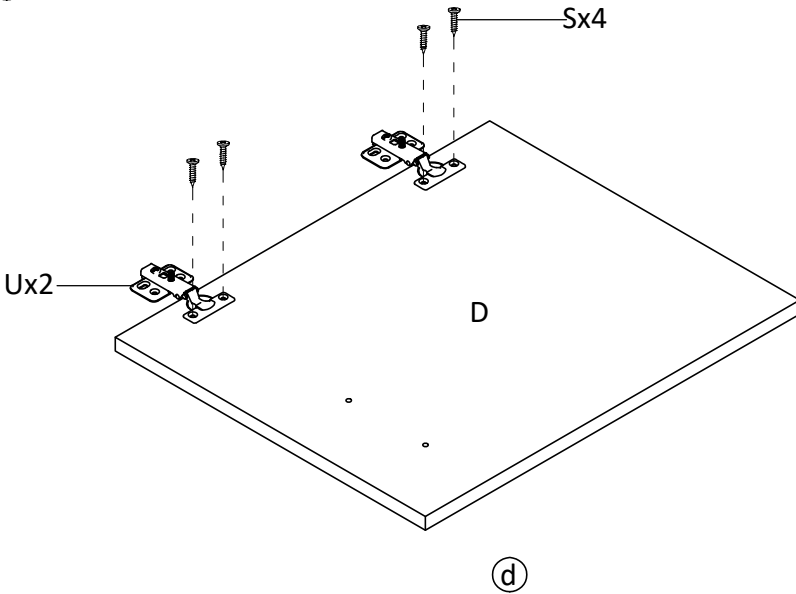
DRx3



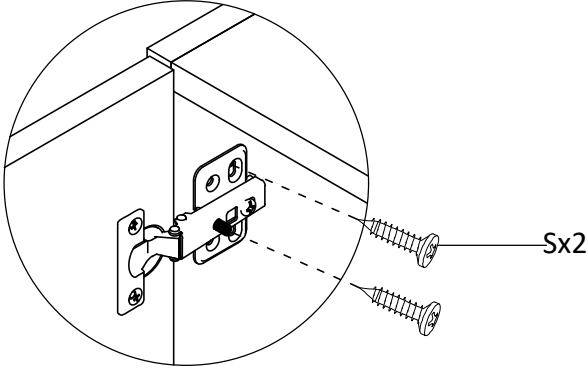
17



18



19



Xx2



Wx1

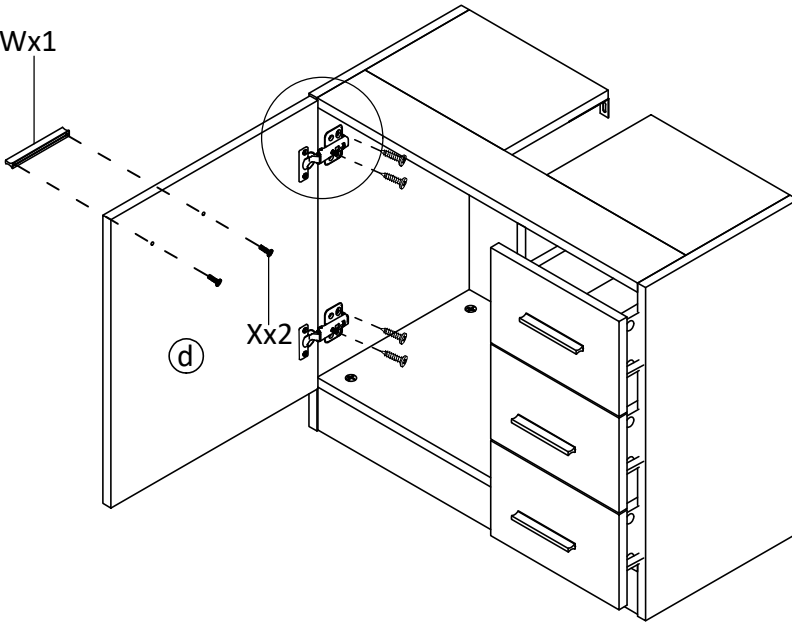


Sx4

M3.5x  $\frac{15}{0.6}$

x2

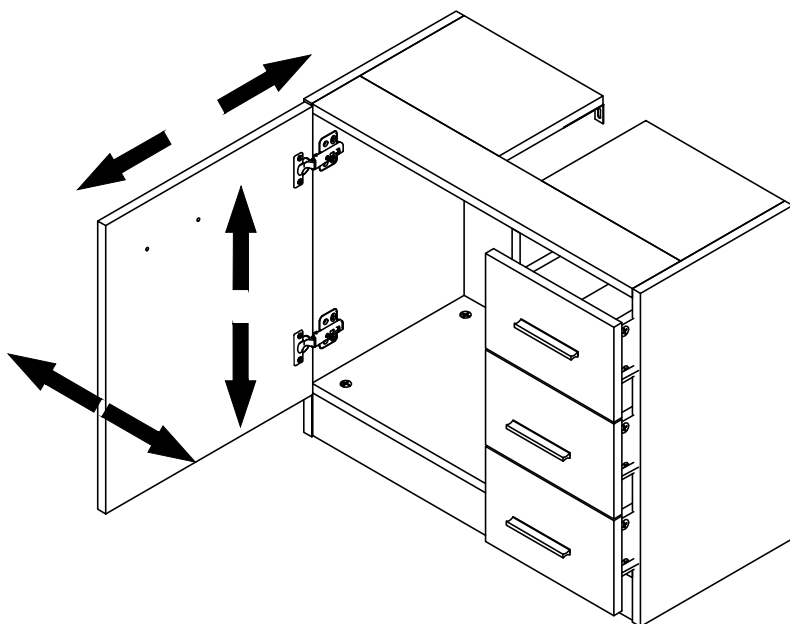
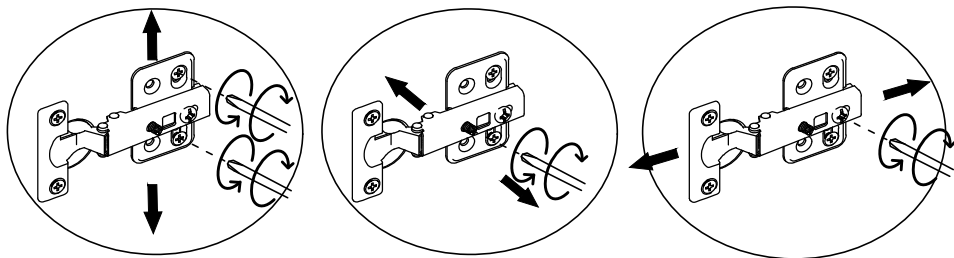
Wx1




d

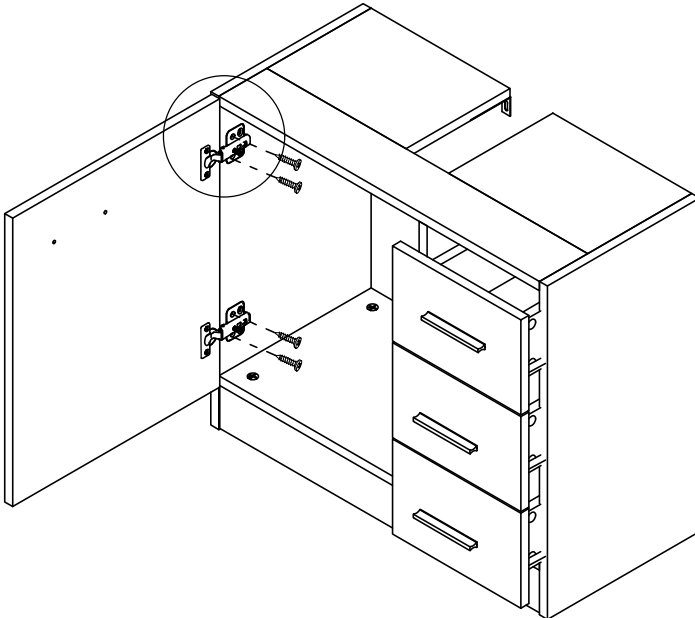
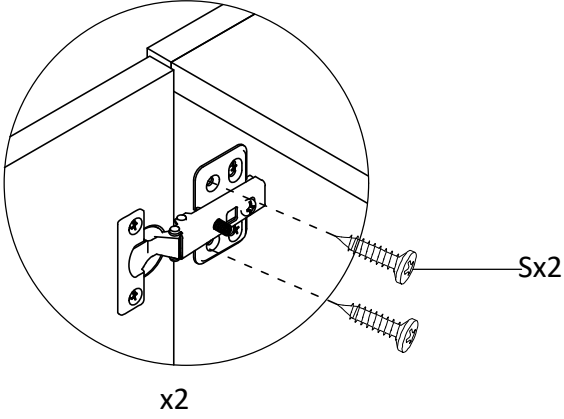
Xx2

20

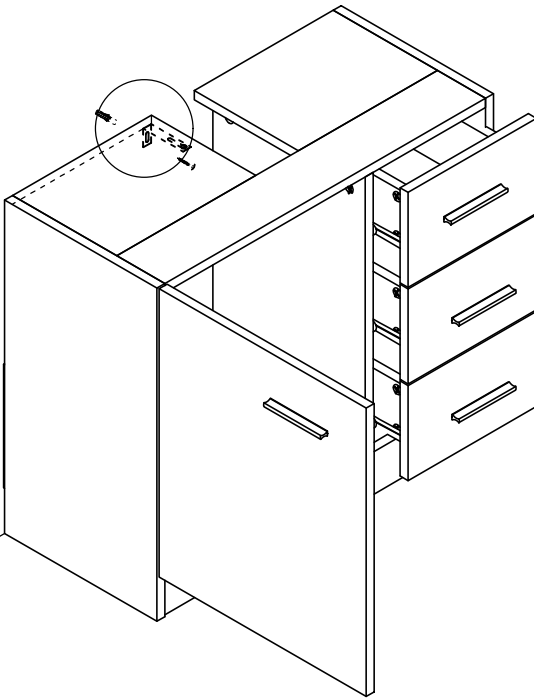
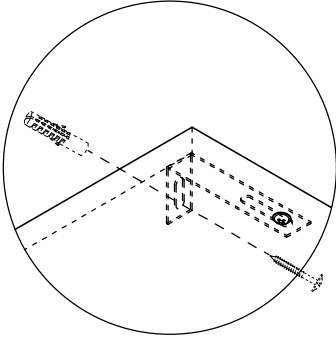


21

Sx4   
M3.5x  $\frac{15}{0.6}$



22



23

