

# *ASSEMBLY INSTRUCTIONS*



## *Dining Side Chair*

# ASSEMBLY INSTRUCTIONS

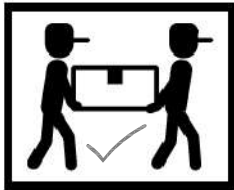
## ASSEMBLY TIPS :

1. Remove hardware from box and sort by size.
2. Please check to see that all hardware and parts are present prior to start of assembly.
3. Please follow attached instructions in the same sequence as numbered to assure fast & easy assembly.



### WARNING !

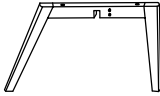
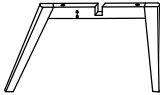
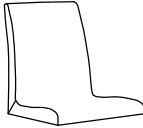

1. Don't attempt to repair or modify parts that are broken or defective. Please contact the store immediately.
2. This product is for home use only and not intended for commercial establishments.








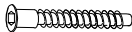
ASSEMBLY TIME

10 MINUTES

## PARTS IDENTIFICATION

AN	UPPER LEG FRAME		1PC
BN	LOWER LEG FRAME		1PC
CN	SEAT AND BACK		1PC
DN	WOOD CLEAT		2PCS

## HARDWARE IDENTIFICATION

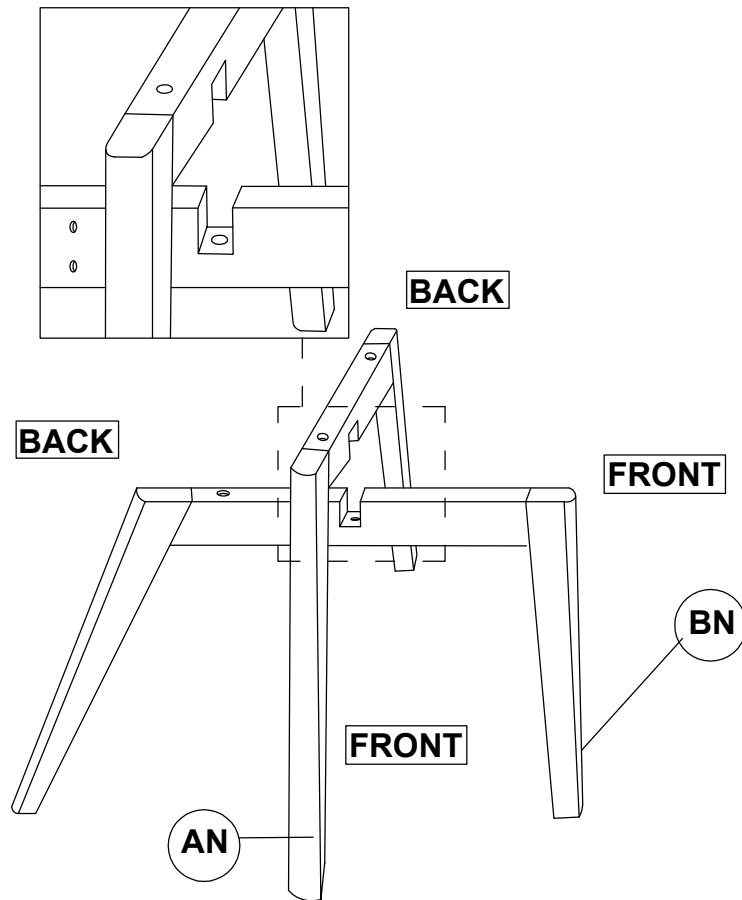
1	<b>ALLEN WRENCH</b> (M4 x 110mm - BLK)		1PC
2	<b>BOLT</b> (M6 x 70mm - RBW)		4PCS
3	<b>LOCK WASHER</b> (1/4" - BLK)		4PCS
4	<b>FLAT WASHER</b> (M6 x 13mm - RBW)		4PCS
5	<b>PAN HEAD SCREW</b> (M4 x 30mm-BLK)		8PCS
6	<b>ALLEN HEAD SCREW</b> (M7 X 50MM ZB(10#) - ZB)		1PCS

### NOTE :

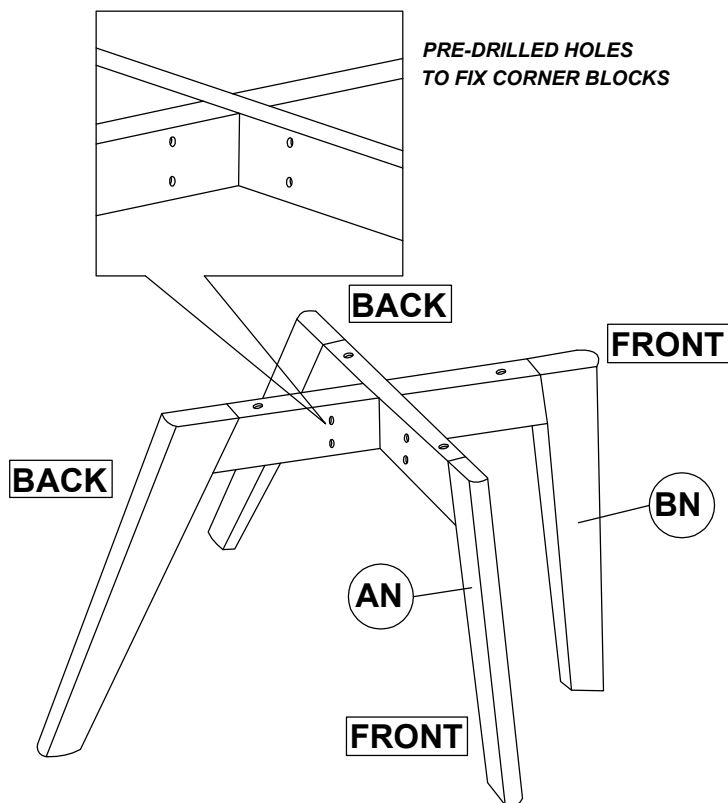
Phillips head screw driver is required in the assembly process. However, manufacturer does not provide this item. Quantities shown are for one chair.

# ASSEMBLY INSTRUCTIONS

## STEP 1

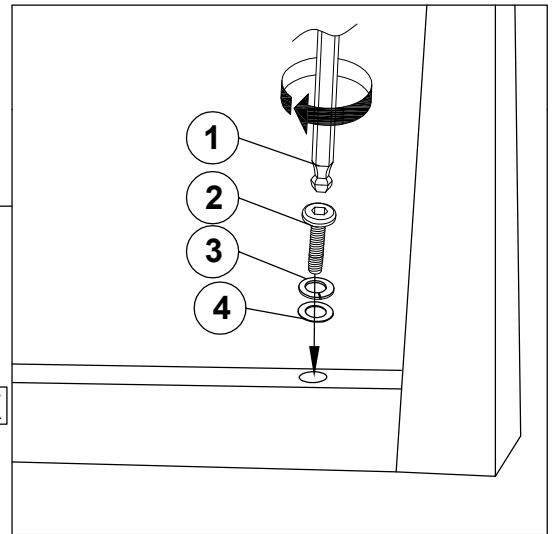
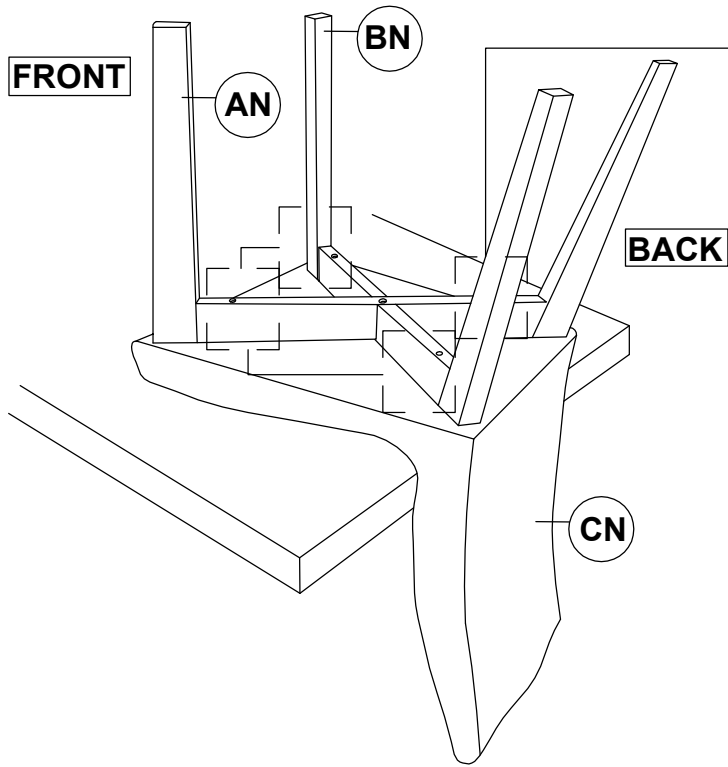


## STEP 2

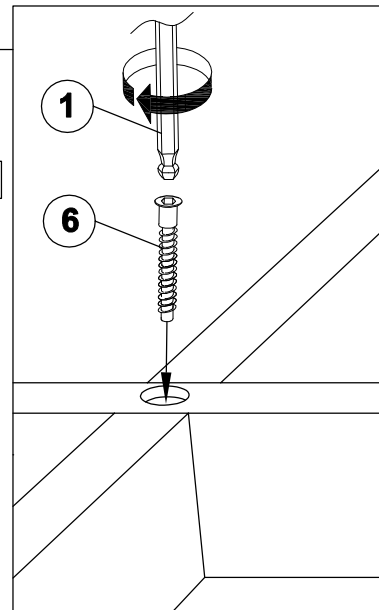
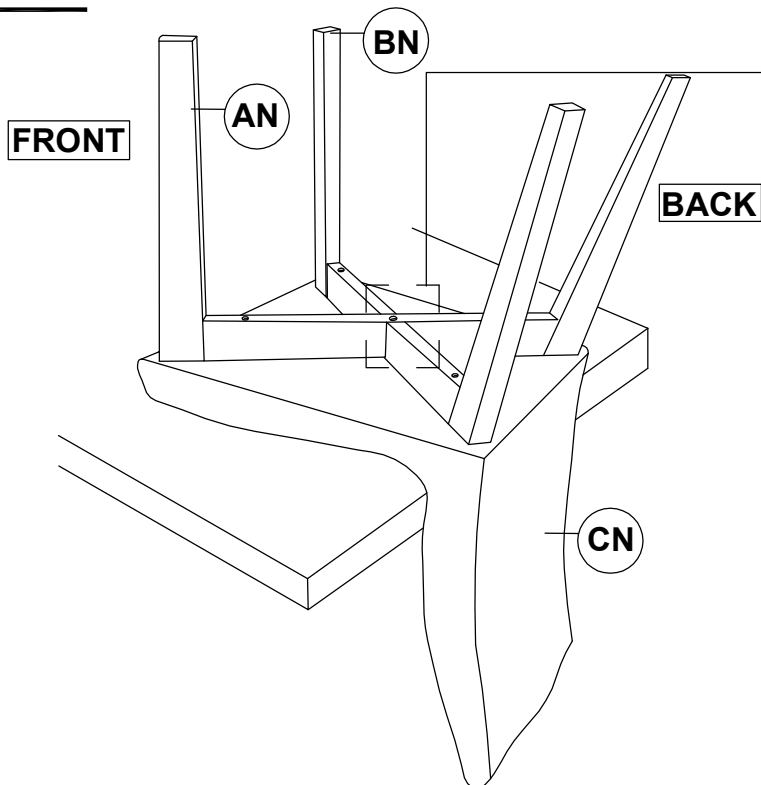


# ASSEMBLY INSTRUCTIONS

## STEP 3

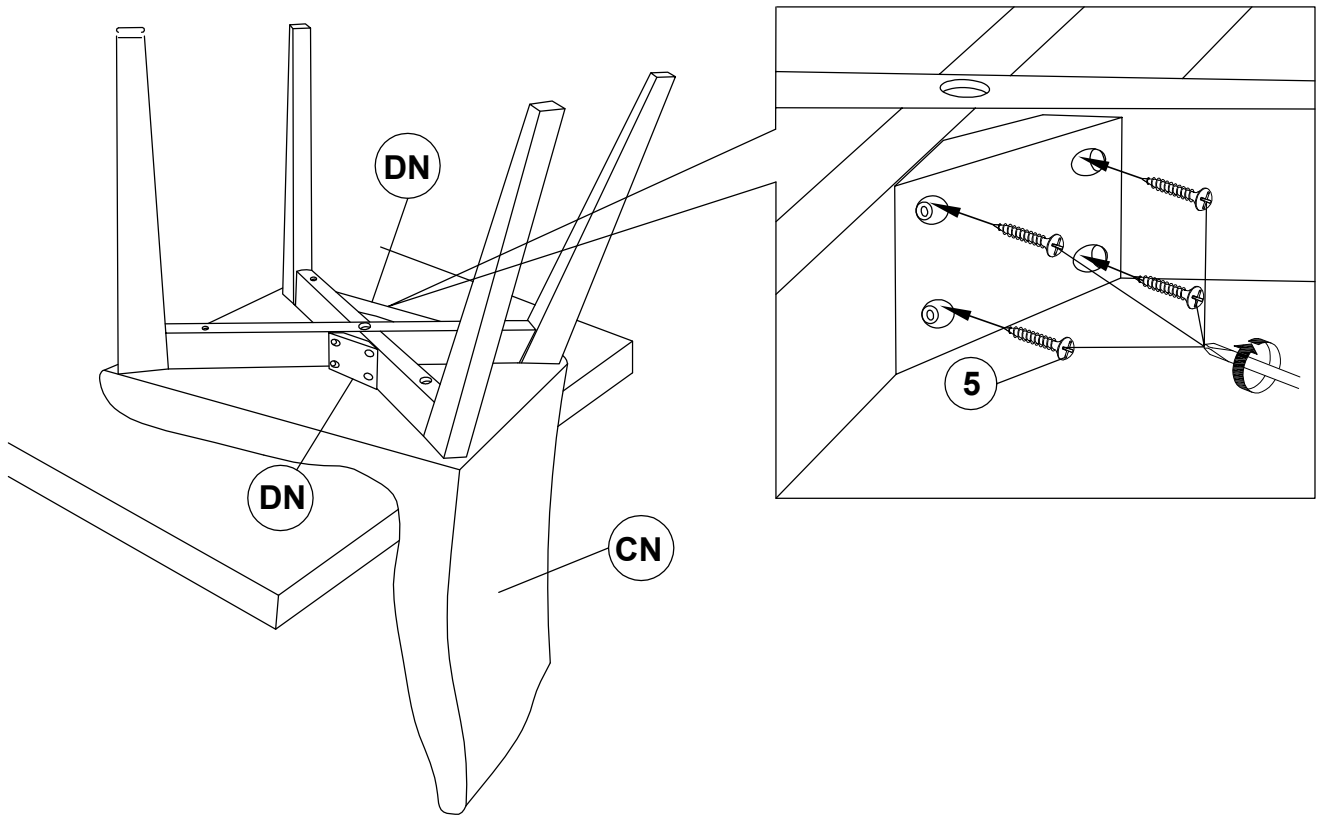


## STEP 4

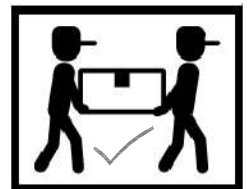
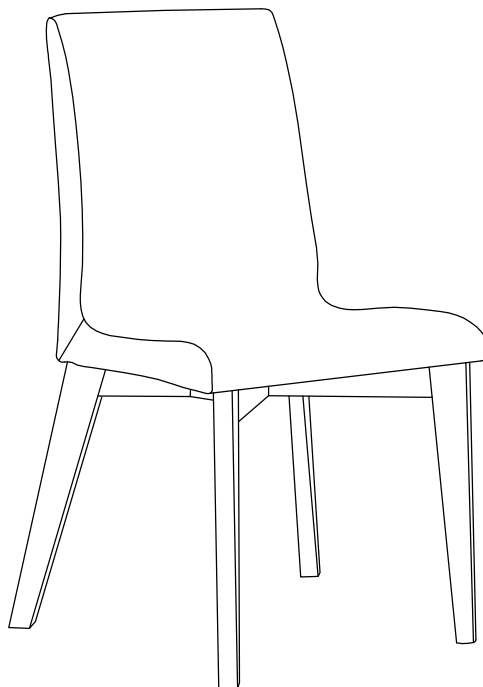


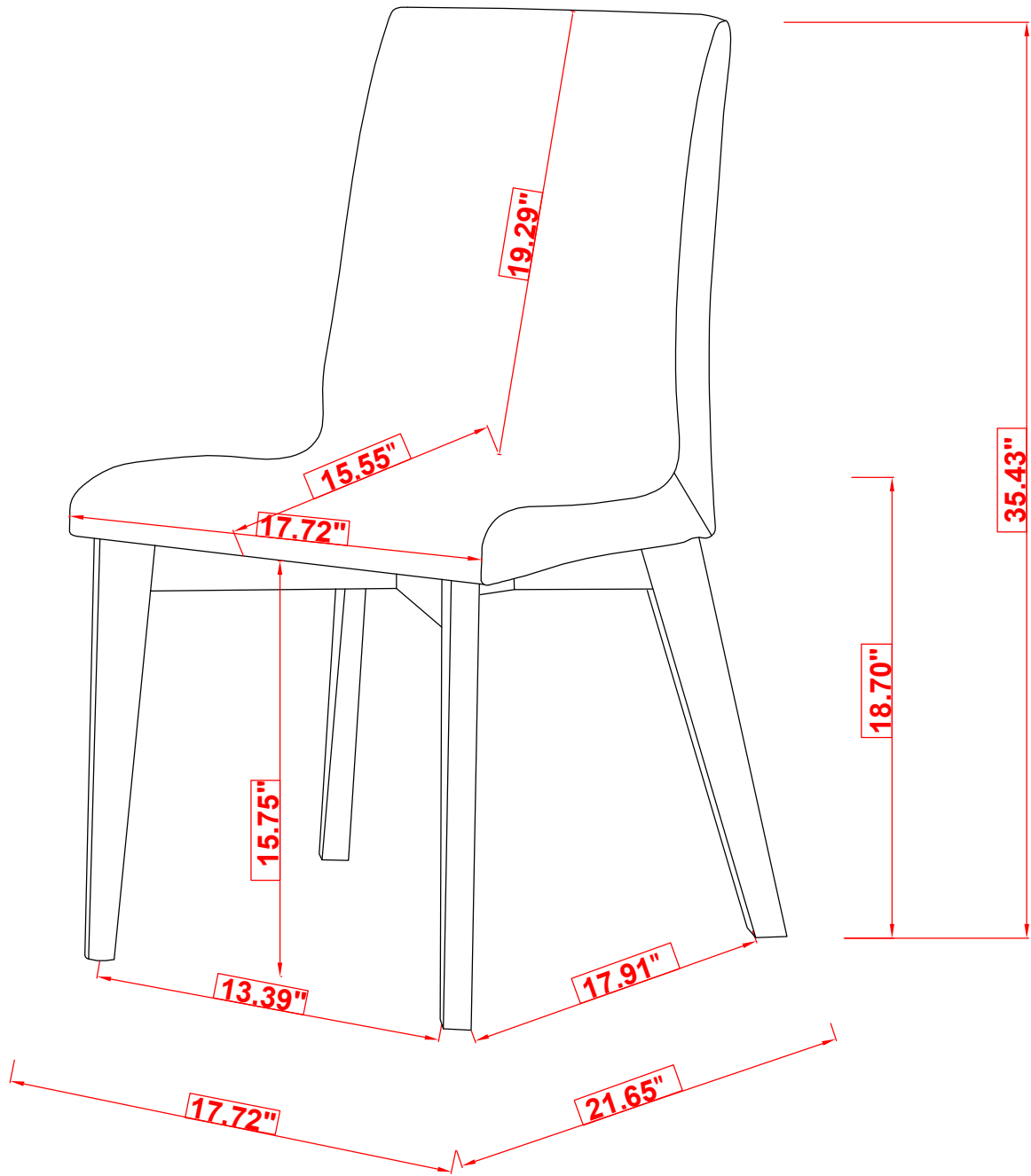
# ASSEMBLY INSTRUCTIONS

## STEP 5



## STEP 6 **COMPLETE**





**Note :** Dimension tolerance  $\pm 5\%$