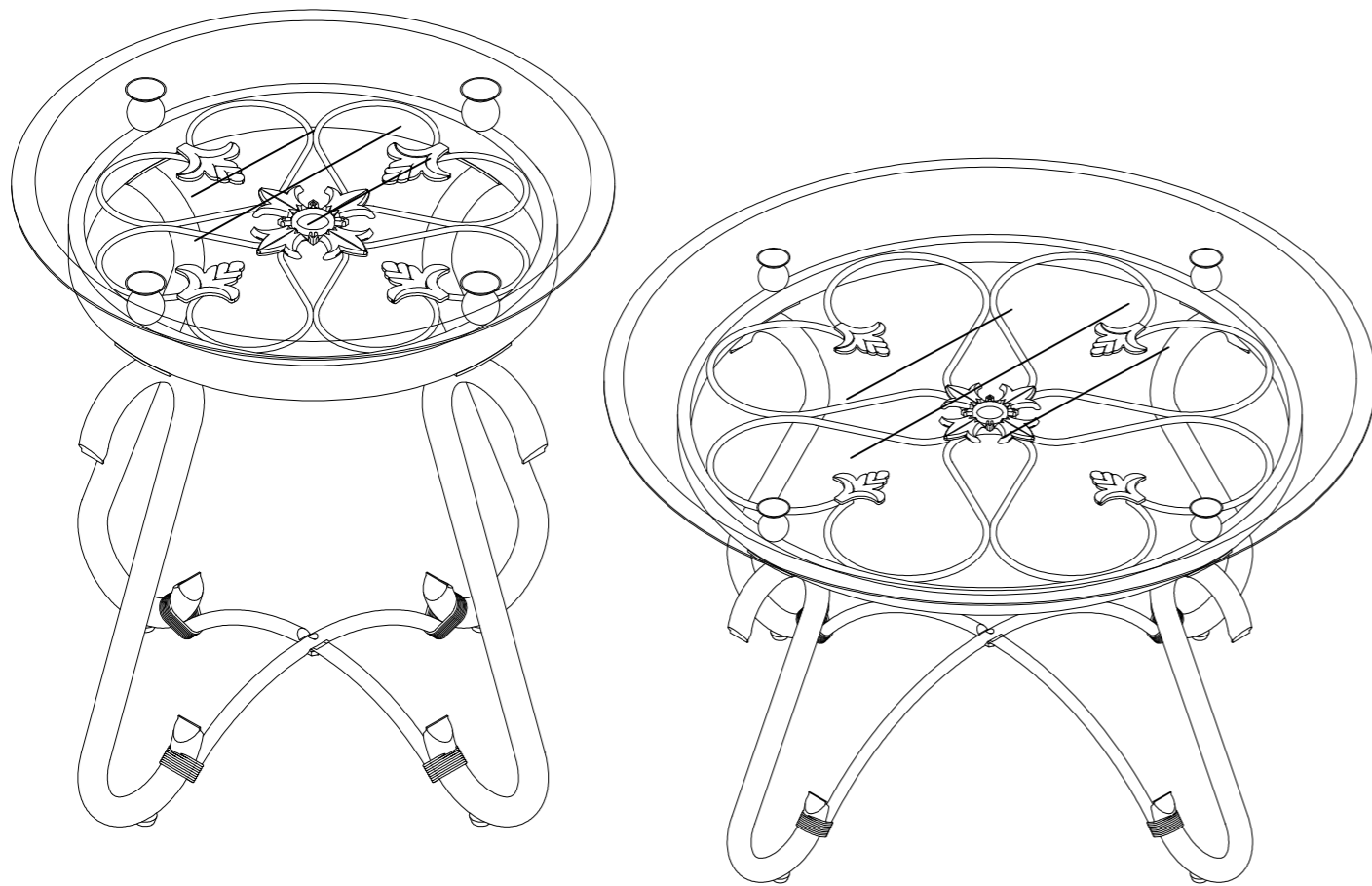
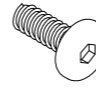
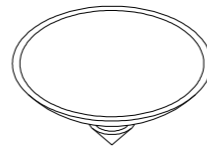
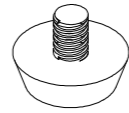
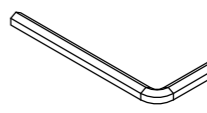


ASSEMBLY INSTRUCTIONS

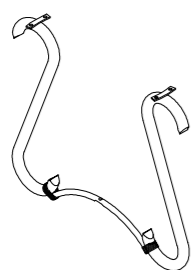
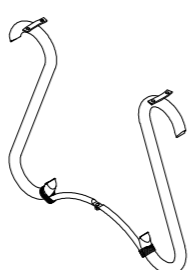

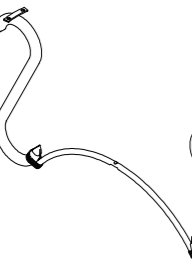
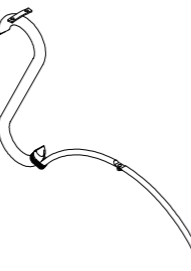
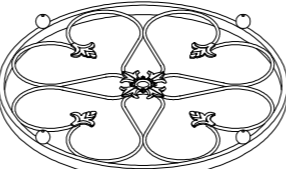
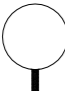
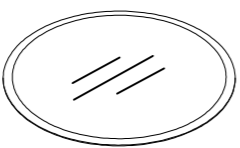
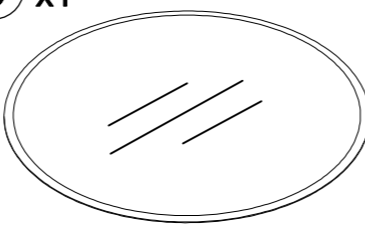


HARDWARE LIST


A x16  1/4 X 1/2	B x8 	C x8 	D x1 
--	--	--	--

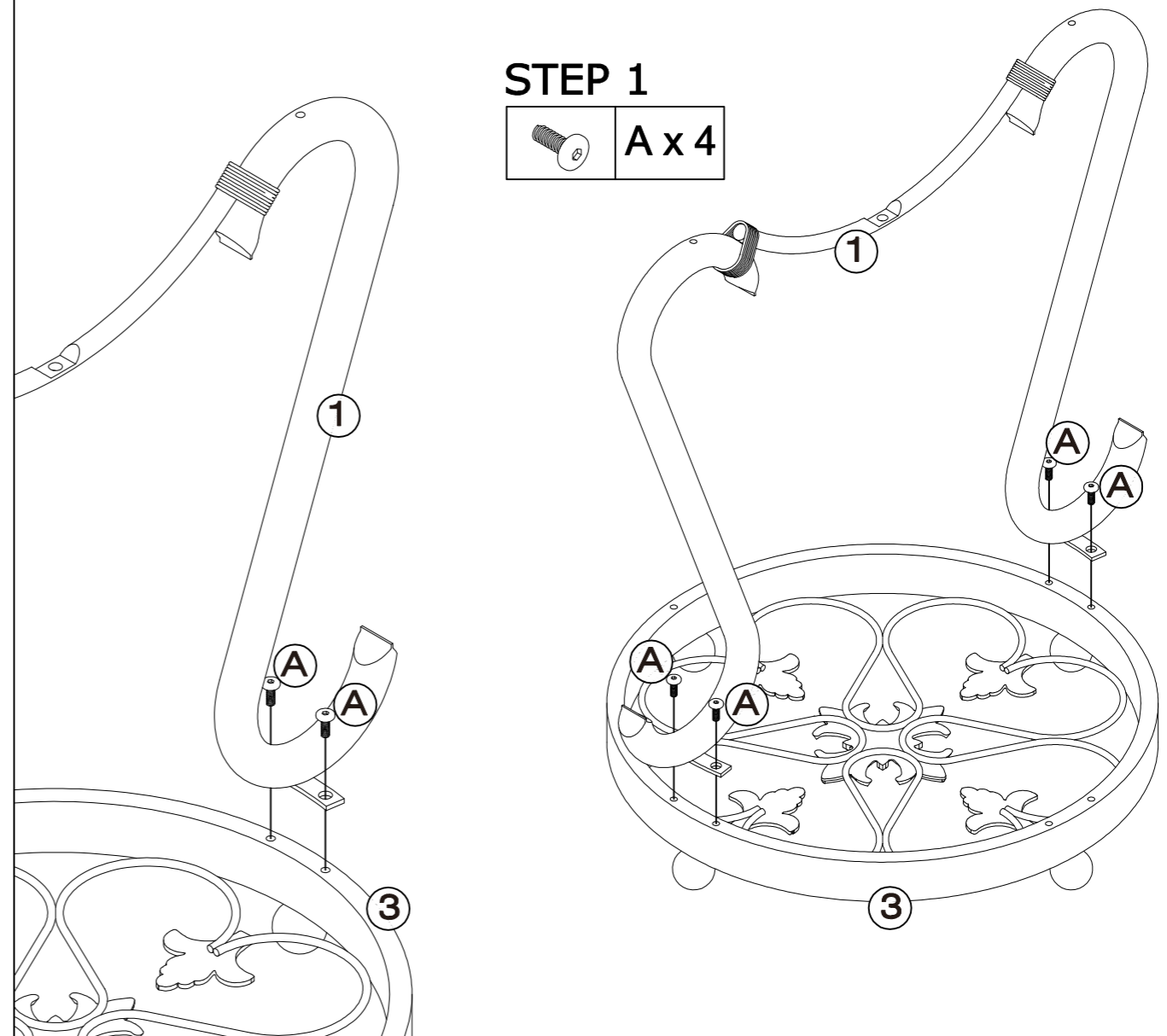
When the process of product assembly, please do not lock the screws at one time, but wait until all the screws are assembled to the position, and then straighten and flatten the product, and then tighten the screws of the same height in turn, so as to avoid unsmooth assembly and product tilt.

PARTS LIST

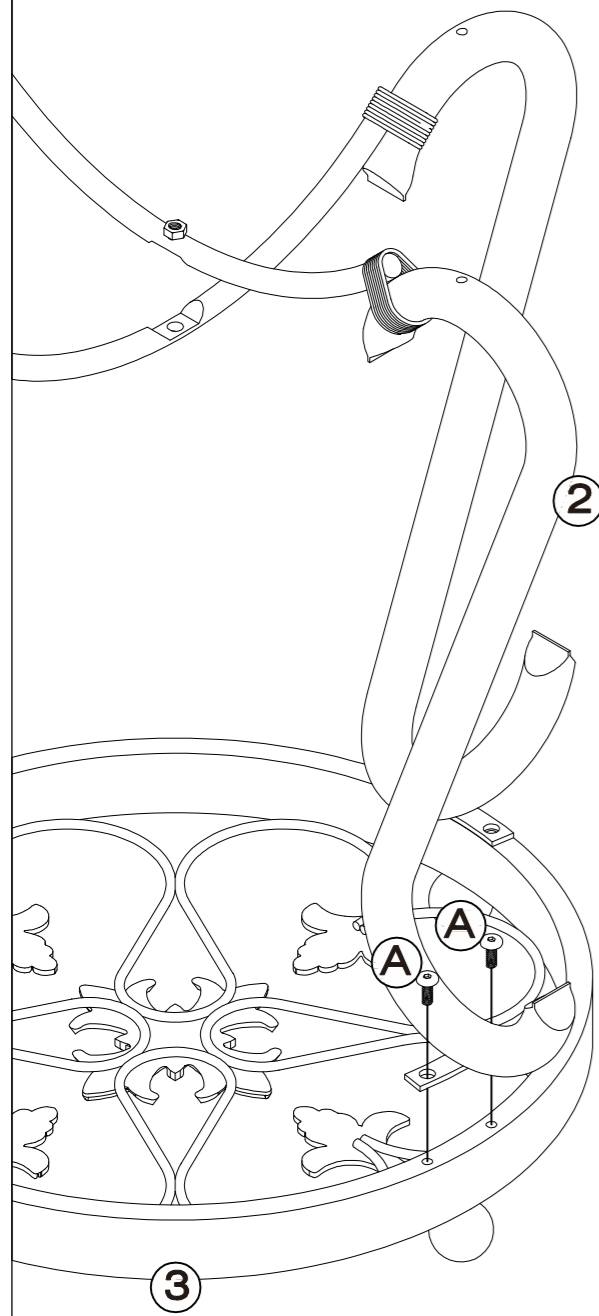
1 x1 	2 x1 	3 x1 
4 x1 	5 x1 	6 x1 
7 x2 	8 x1 	9 x1 

STEP 1

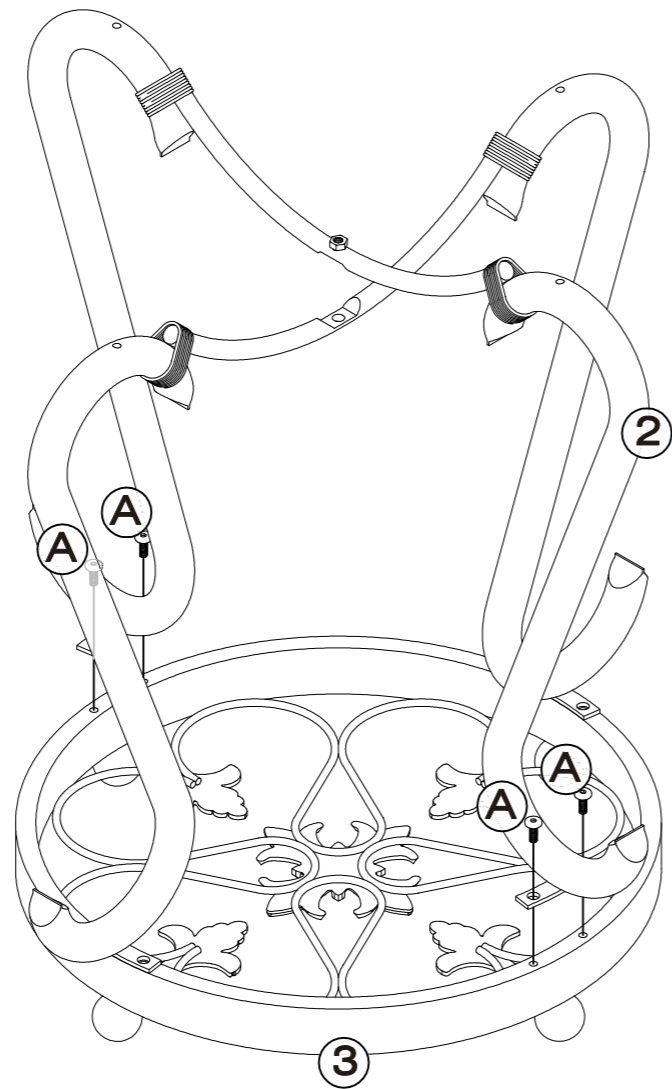
	A x 4
---	--------------



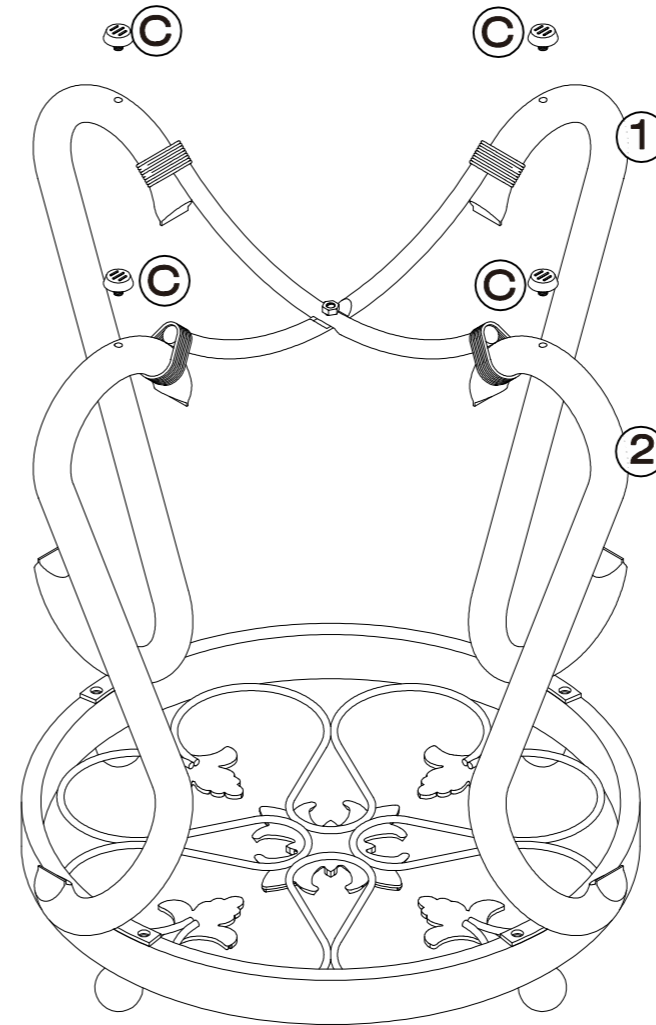
ASSEMBLY INSTRUCTIONS



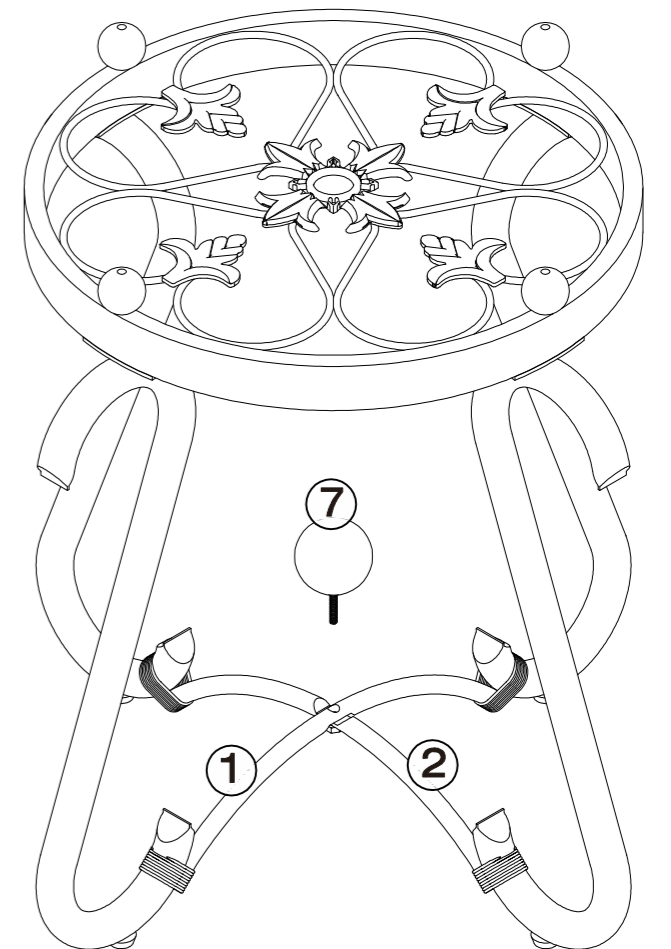
STEP 2



STEP 3

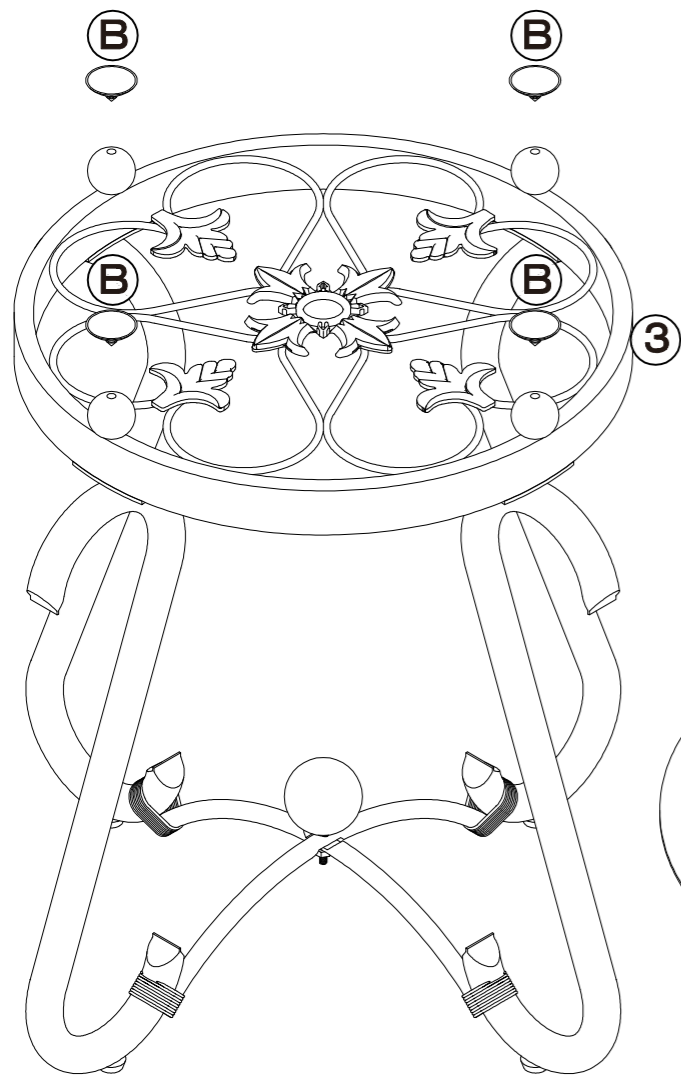


STEP 4

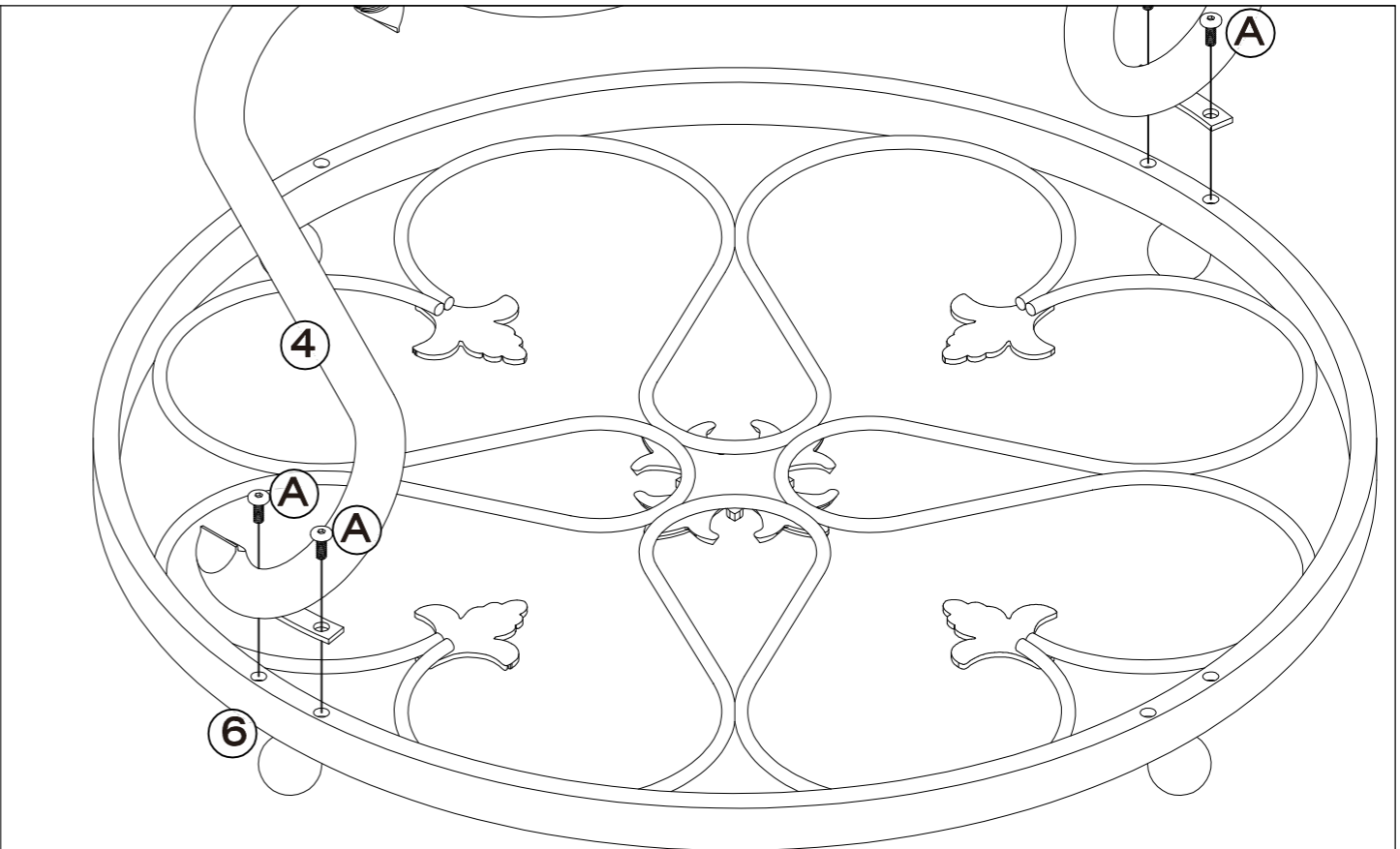
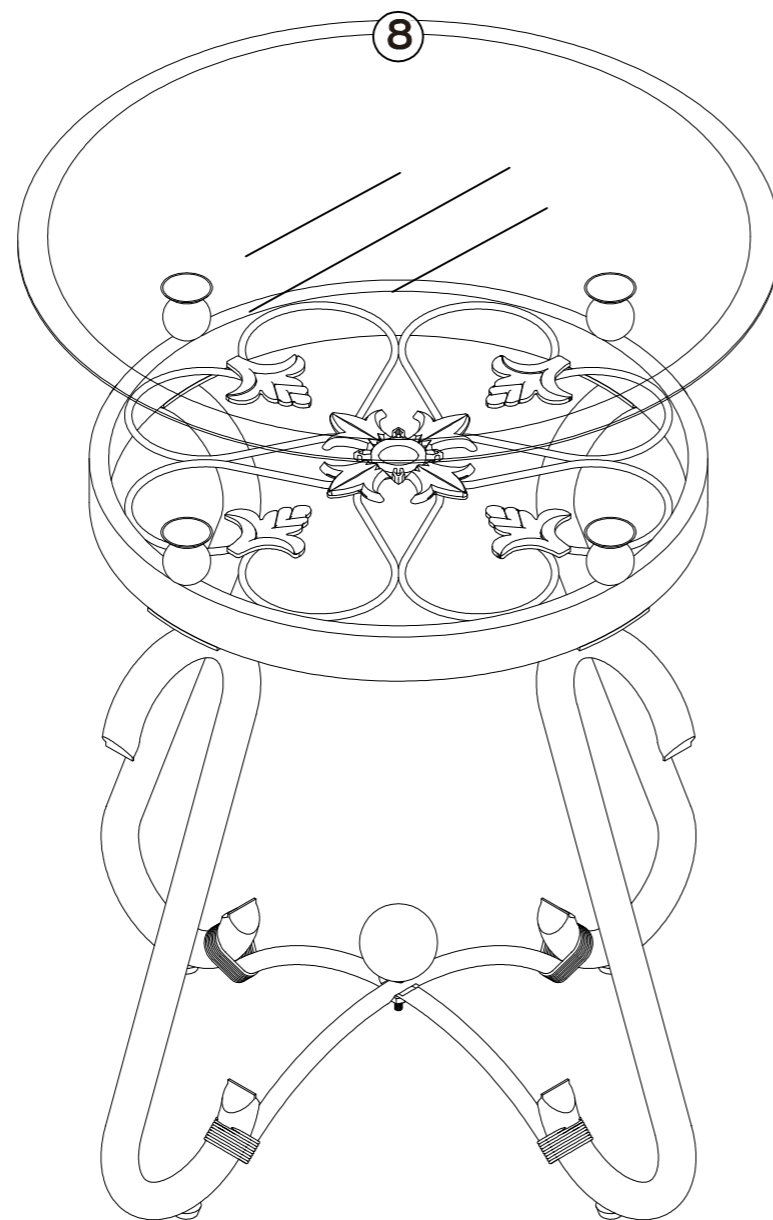


ASSEMBLY INSTRUCTIONS

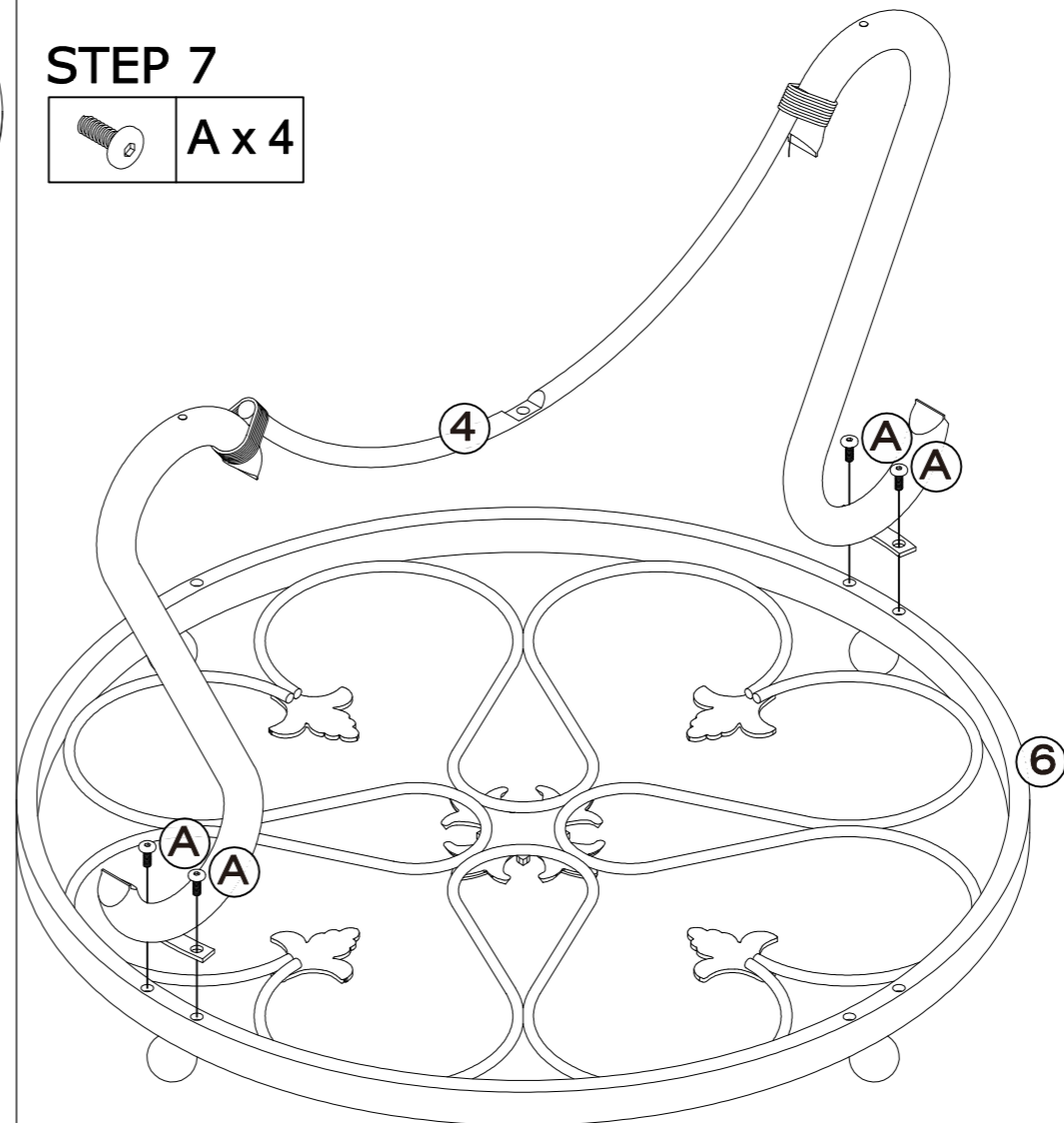
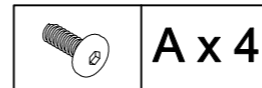
STEP 5



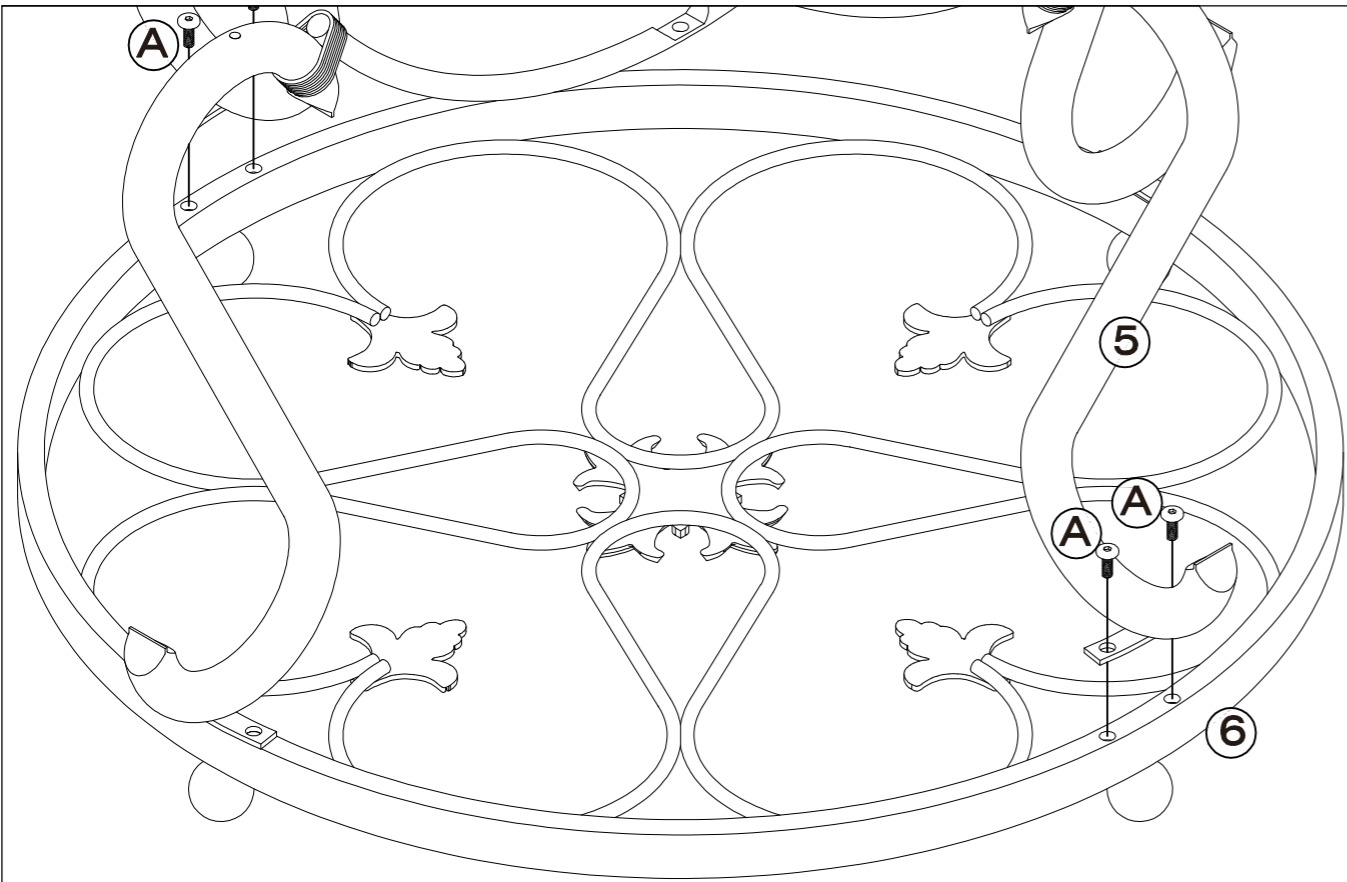
STEP 6



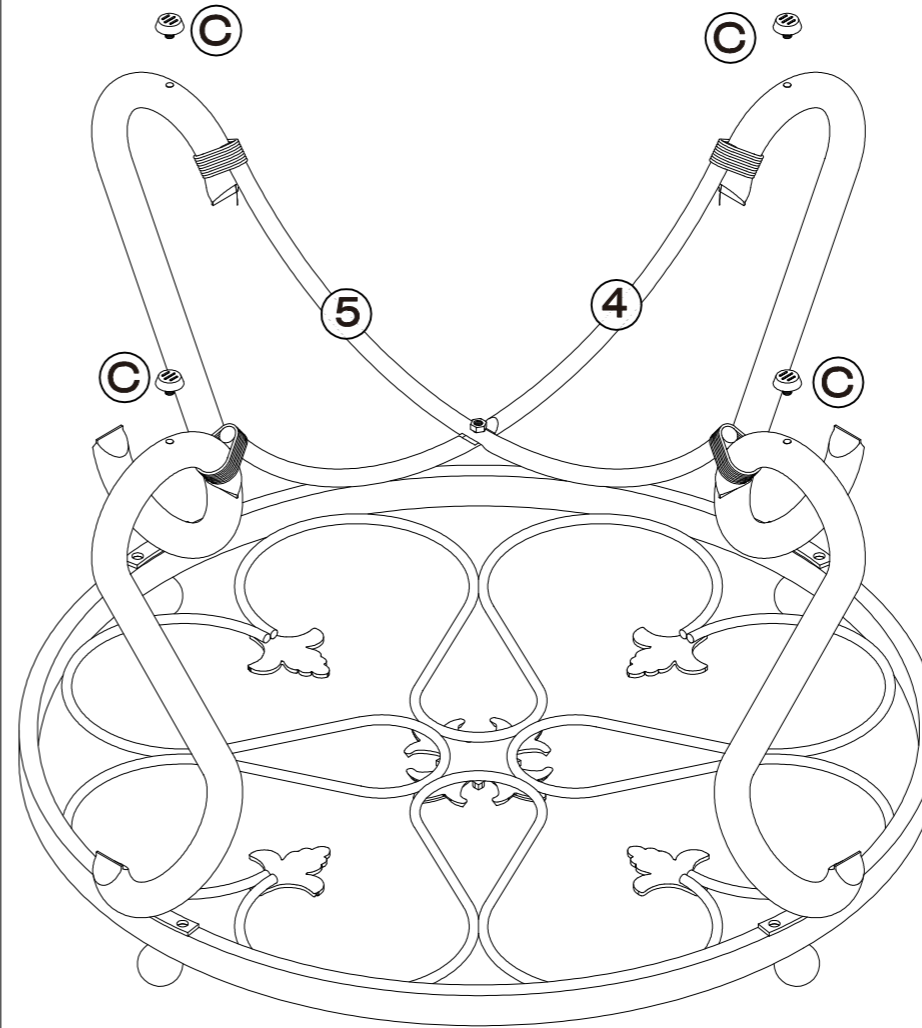
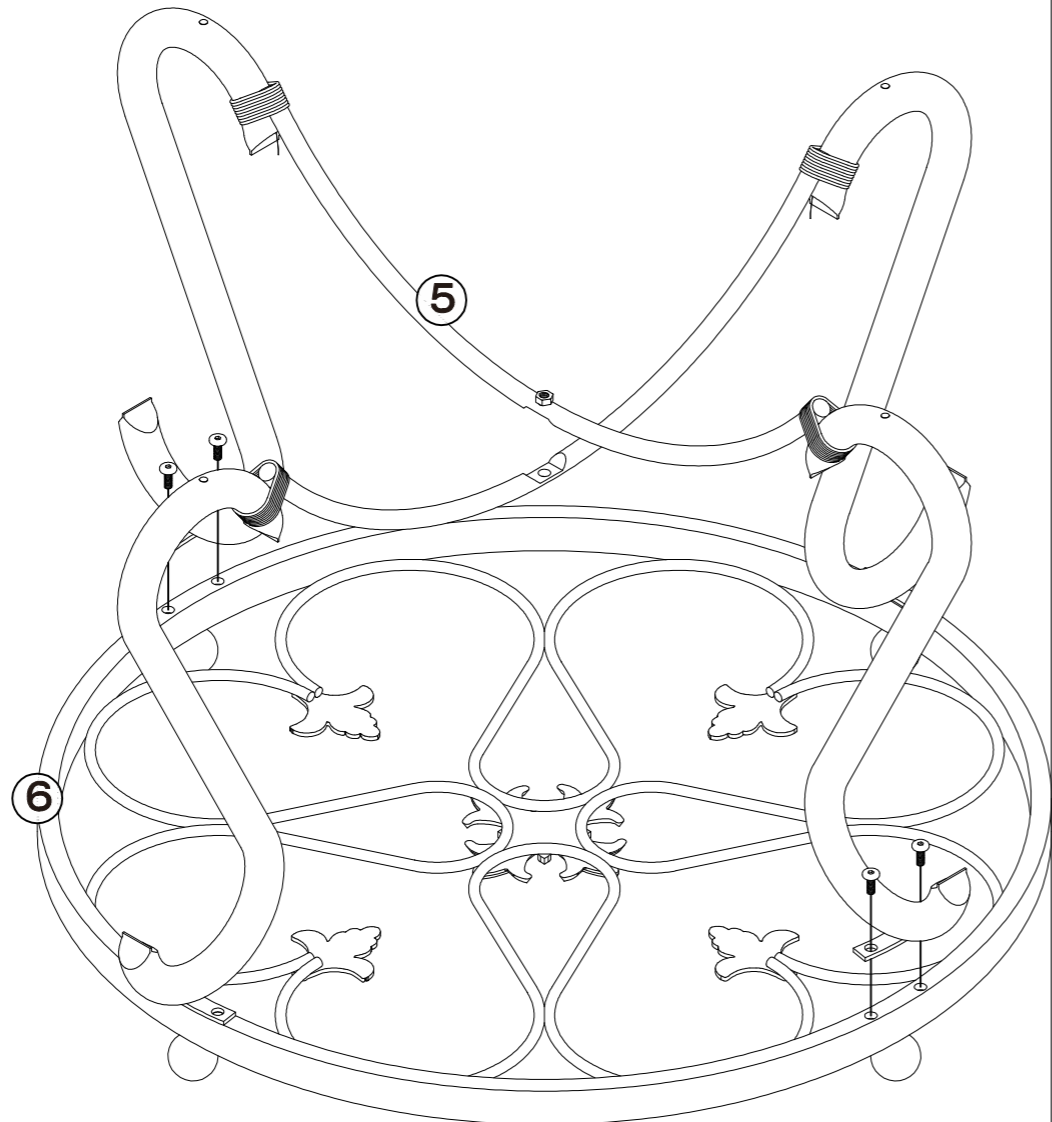
STEP 7



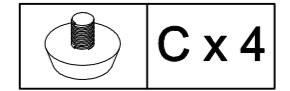
ASSEMBLY INSTRUCTIONS



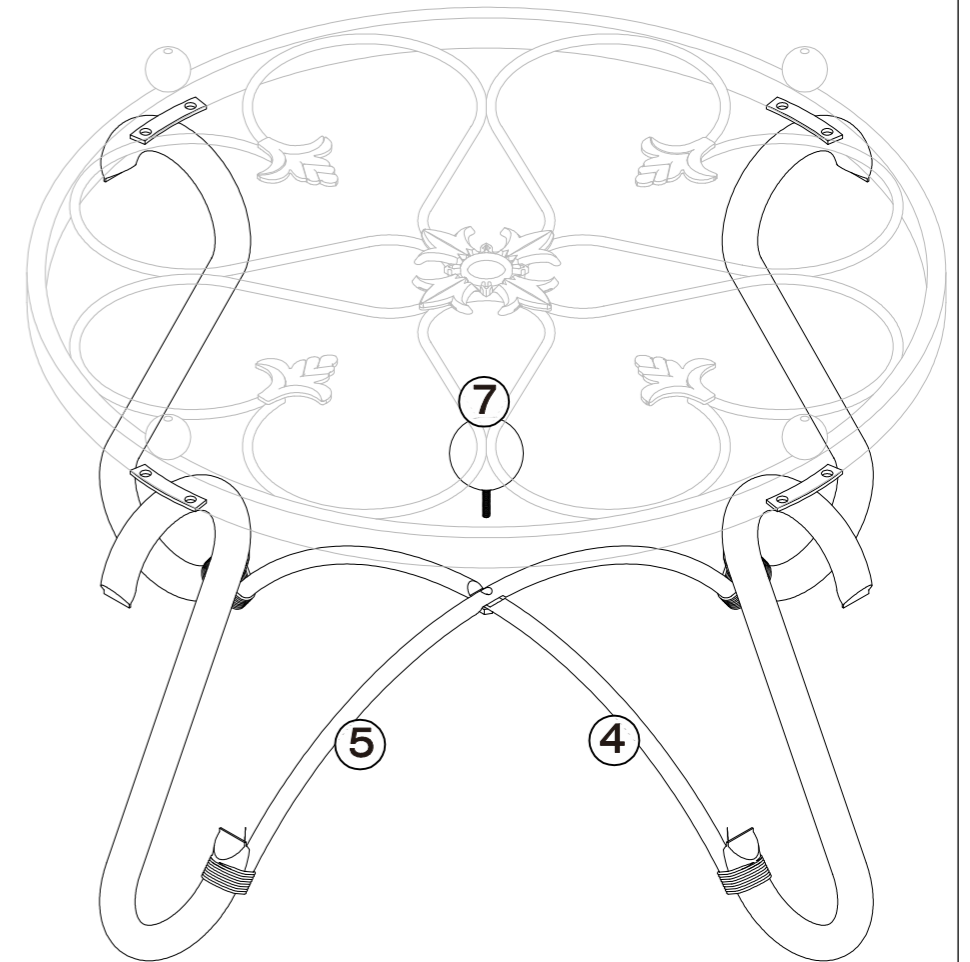
STEP 8



STEP 9

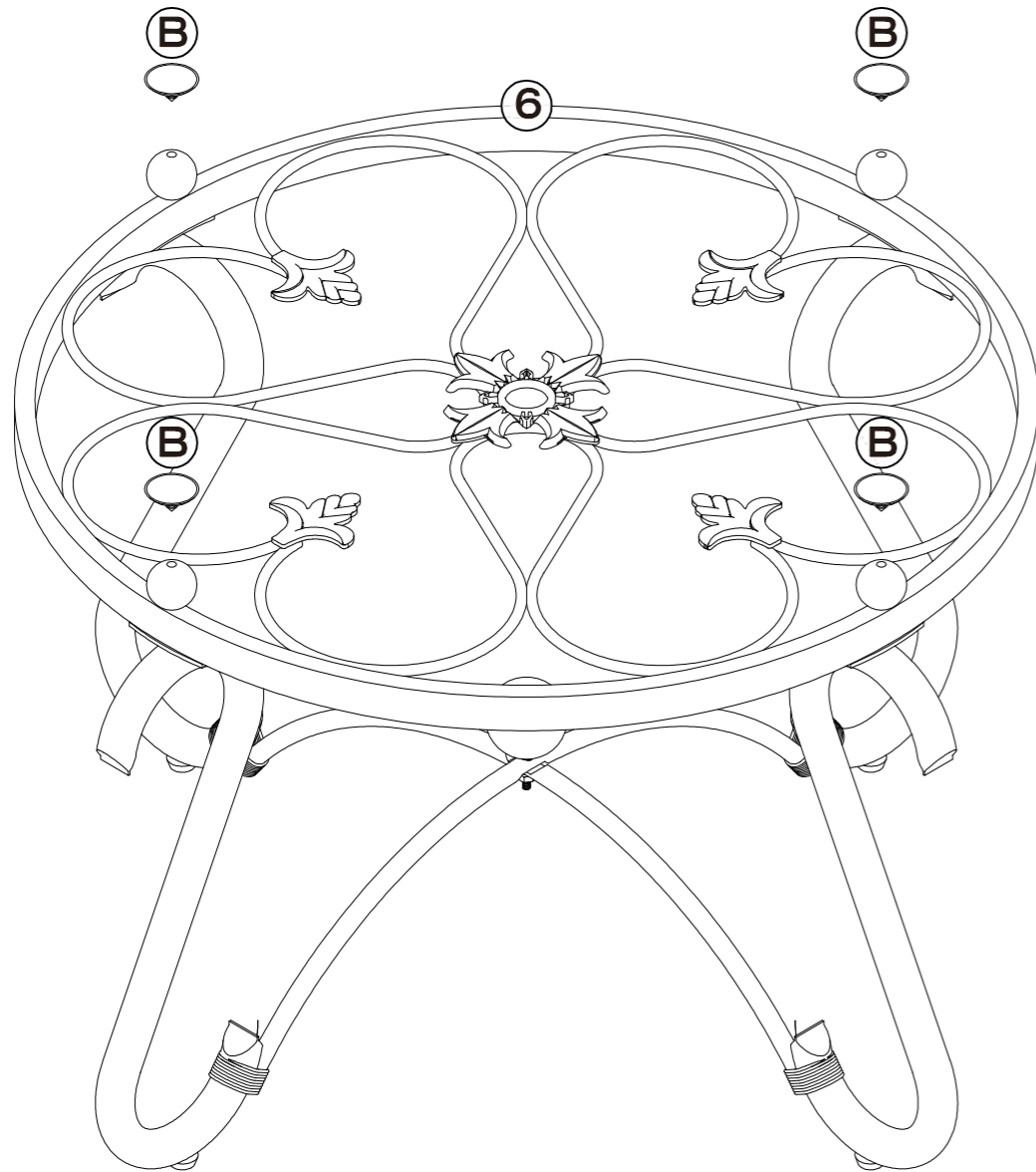
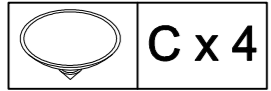


STEP 10

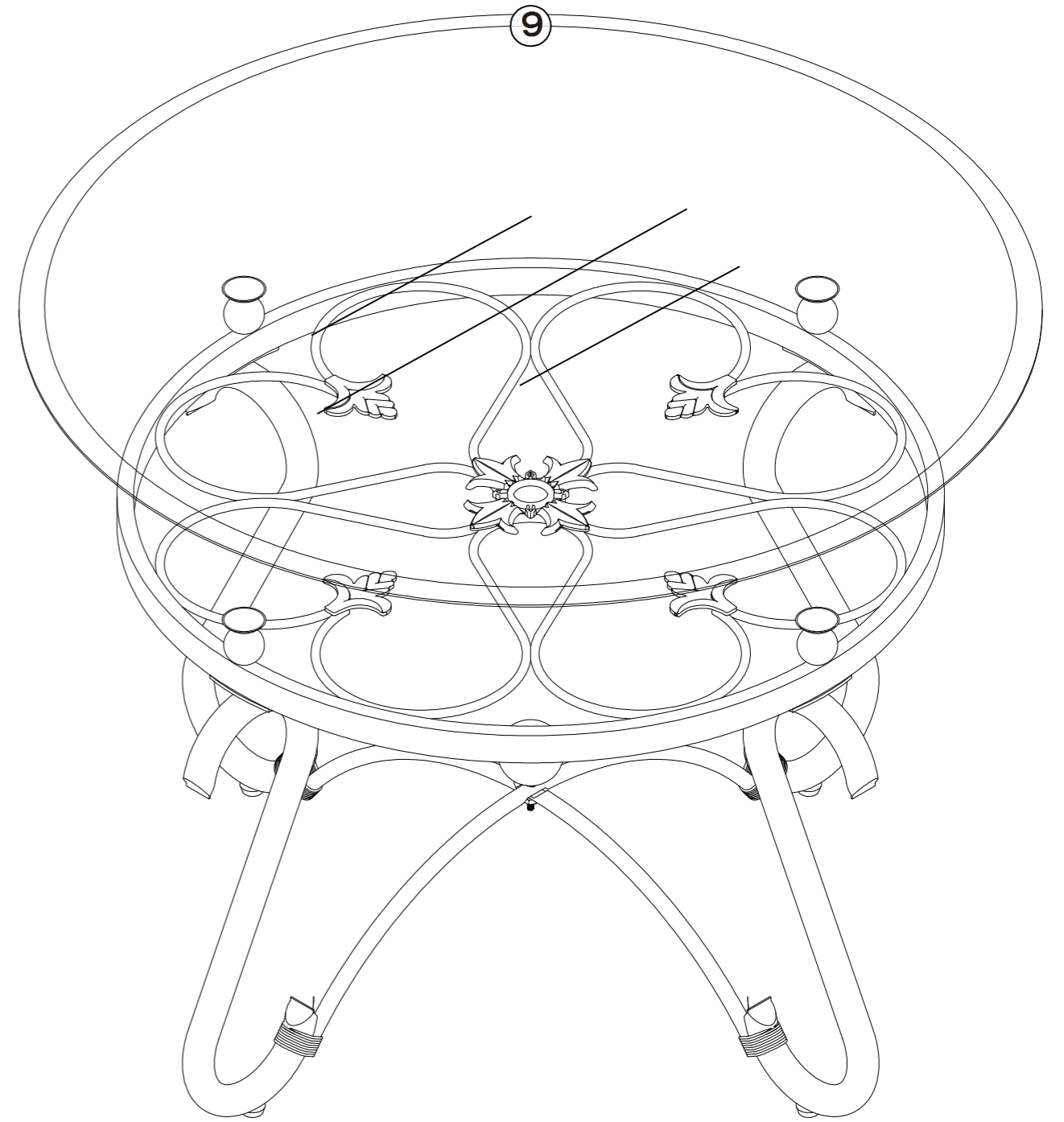


ASSEMBLY INSTRUCTIONS

STEP 11



STEP 12



Check and tighten all screws!