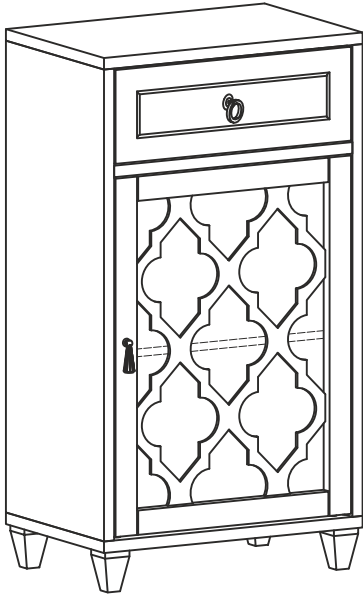
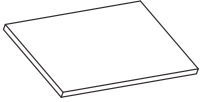
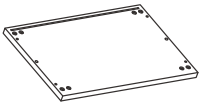
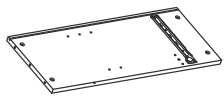
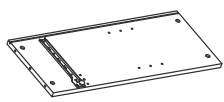

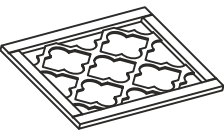

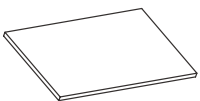
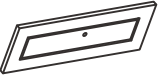



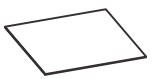




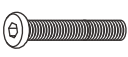

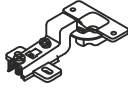










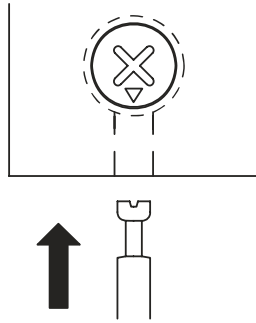
CABINET



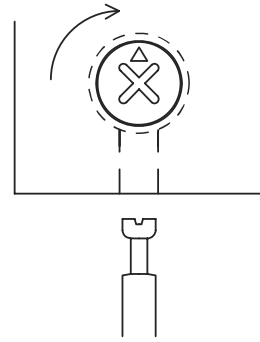
<p>A</p>  <p>1 pc</p>	<p>B</p>  <p>1 pc</p>	<p>C</p>  <p>1 pc</p>	<p>D</p>  <p>1 pc</p>
<p>E</p>  <p>1 pc</p>	<p>F</p>  <p>1 pc</p>	<p>G</p>  <p>4 pcs</p>	<p>H</p>  <p>1 pc</p>
<p>I</p>  <p>1 pc</p>	<p>J</p>  <p>1 pc</p>	<p>K</p>  <p>1 pc</p>	<p>L</p>  <p>1 pc</p>
<p>M</p>  <p>1 pc</p>	<p>N</p>  <p>1 pc</p>		
<p>1</p>  <p>12 pcs</p>	<p>2</p>  <p>12 pcs</p>	<p>3</p>  <p>6 pcs</p>	<p>4</p>  <p>8 pcs</p>
<p>5</p>  <p>1 pc</p>	<p>6</p>  <p>2 pcs</p>	<p>7</p>  <p>8 pcs</p>	<p>8</p>  <p>4 pcs</p>
<p>9</p>  <p>8 pcs</p>	<p>10</p>  <p>2 pcs</p>	<p>11</p>  <p>1 pc</p>	<p>12</p>  <p>1 pc</p>
<p>13</p>  <p>4 pcs</p>	<p>14</p>  <p>4 pcs</p>		

CAM LOCK SYSTEM

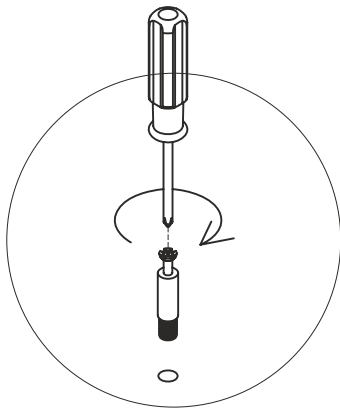
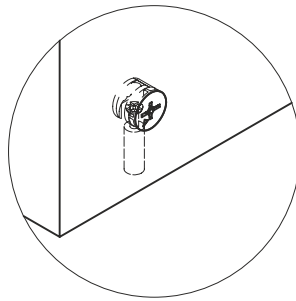
(1)



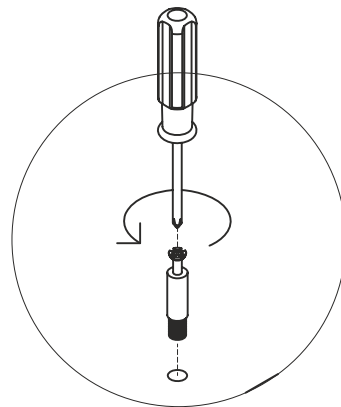
(2)



IMPORTANT NOTE--CAM LOCK ADJUSTMENT

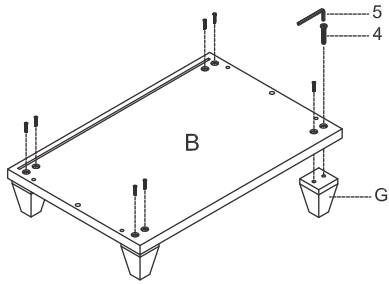


If Cam Lock
is too loose,
Please adjust Metal
Dowel to turn right
as drawing.

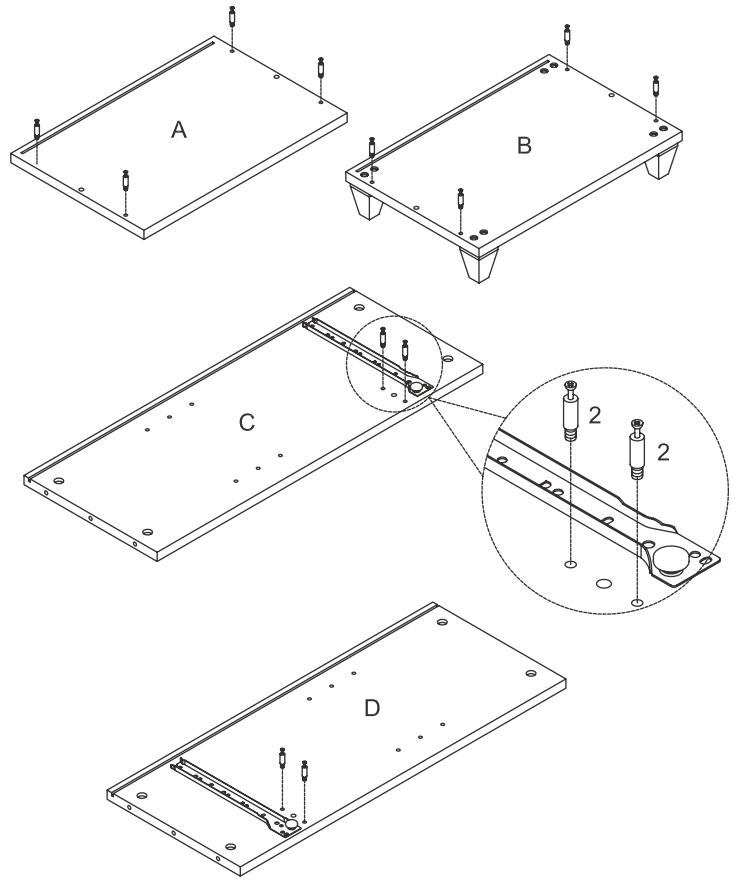


If Cam Lock
is too tight,
Please adjust Metal
Dowel to turn left
as drawing.

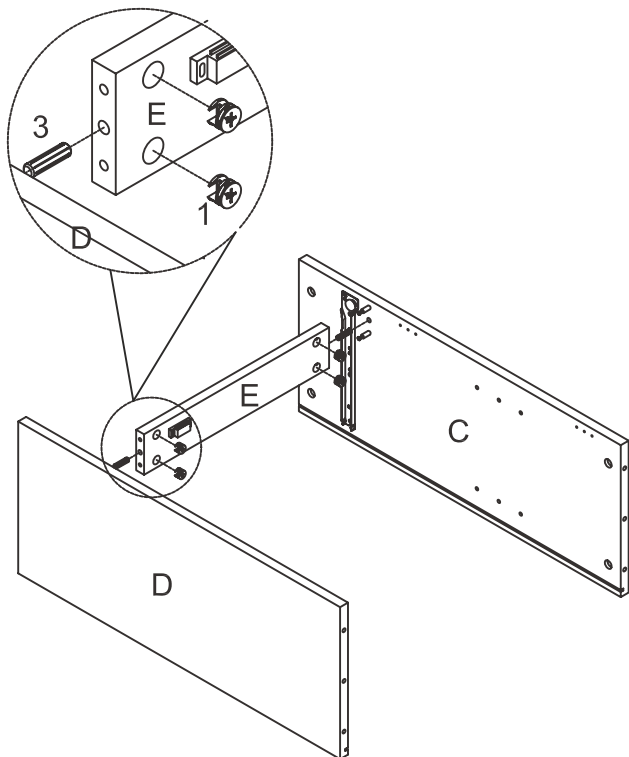
Step 1



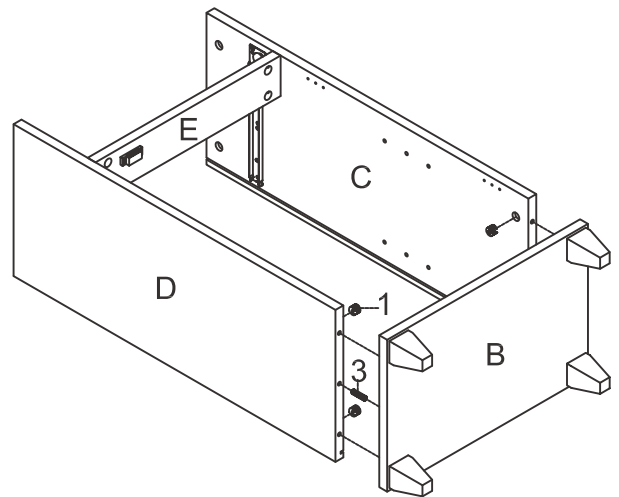
Step 2



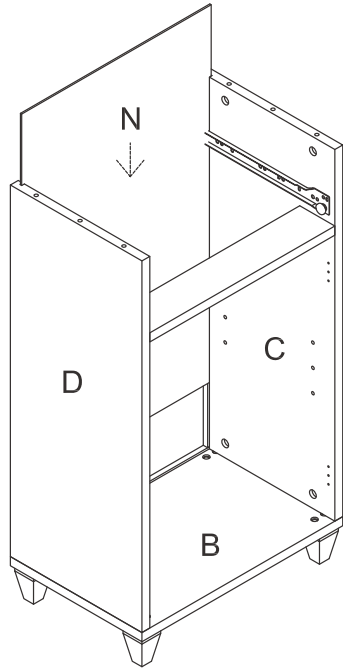
Step 3



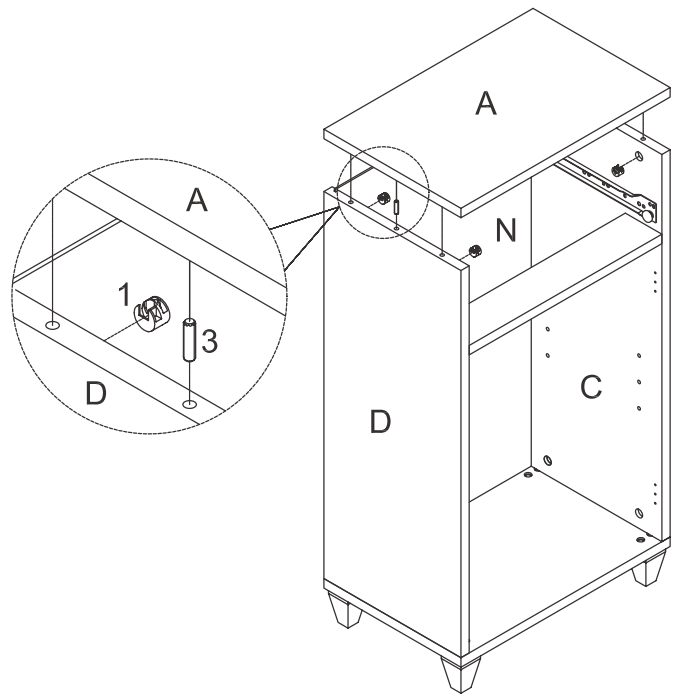
Step 4



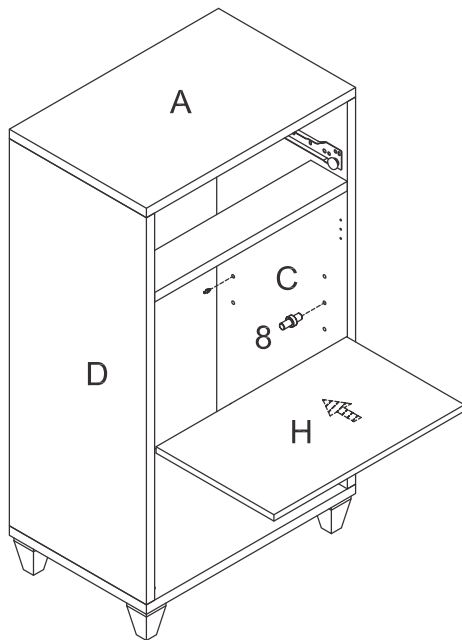
Step 5



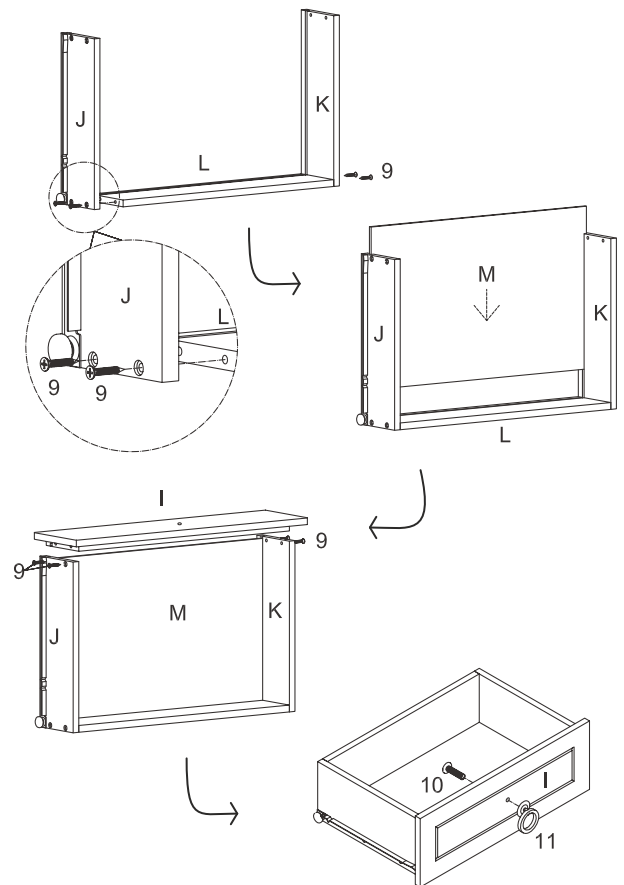
Step 6



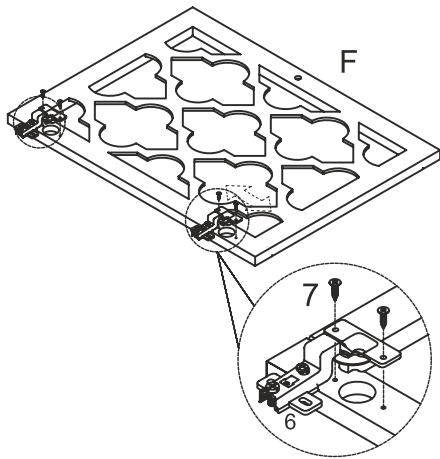
Step 7



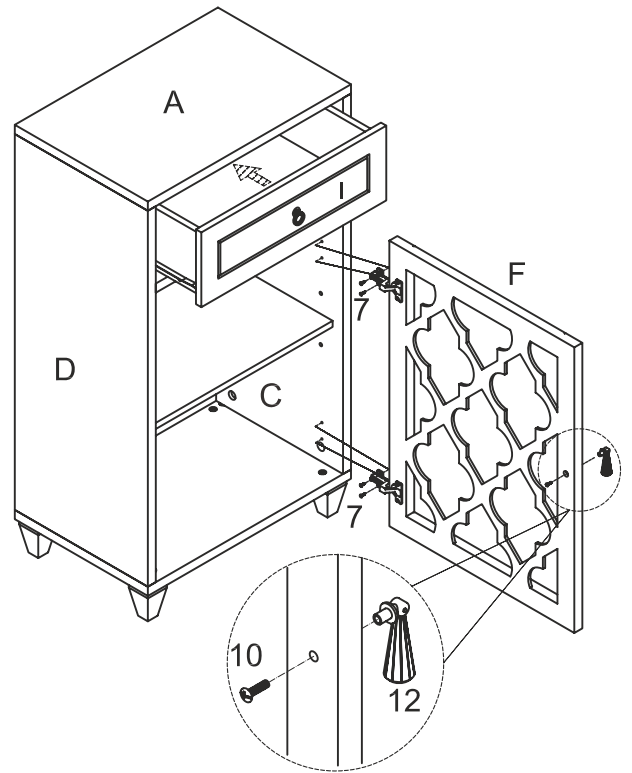
Step 8



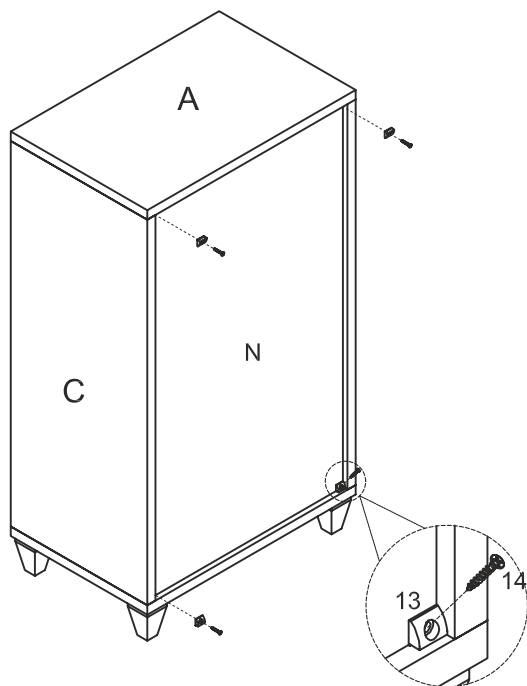
Step 9



Step 10



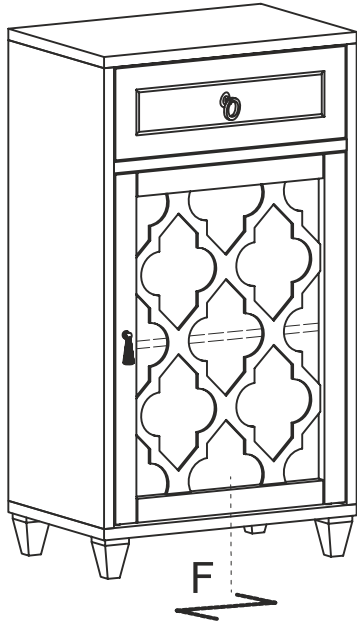
Step 11



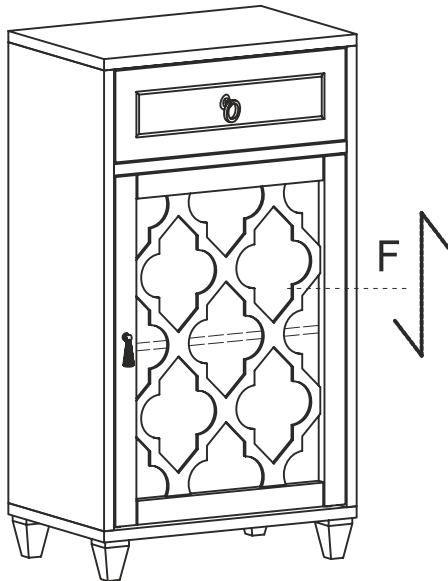
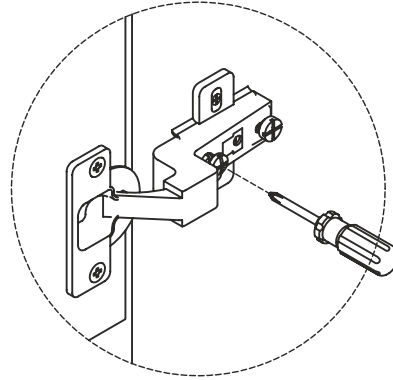
Step 12



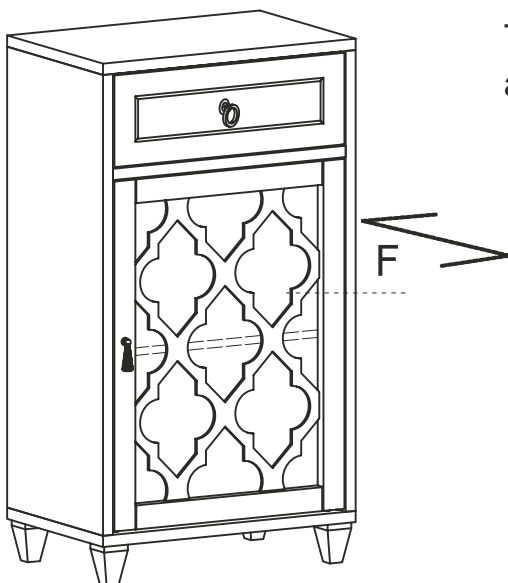
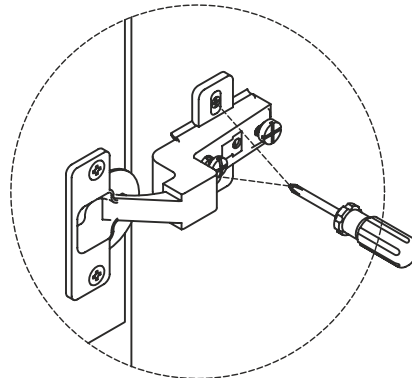
Step 13



To move door left or right, loosen screw as shown and move door to suit. Re-tighten screw.



To move door up or down, loosen screws as shown and move door to suit. Re-tighten screws.



To move door in or out, loosen screw as shown and move door to suit. Re-tighten screw.

