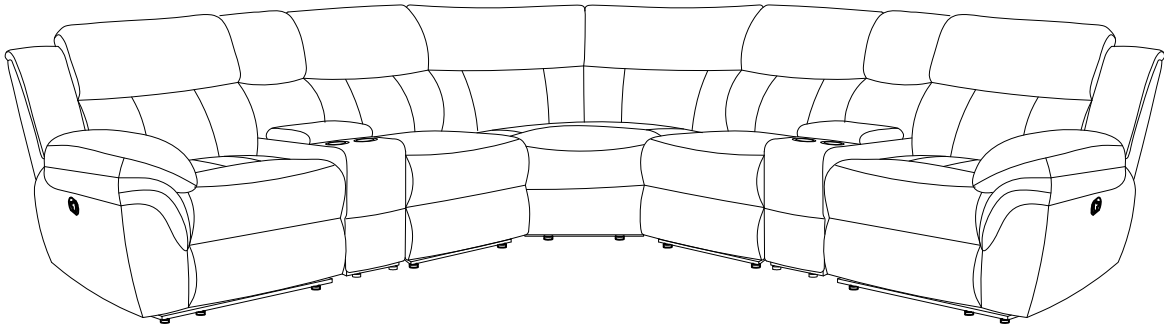


ASSEMBLY INSTRUCTIONS

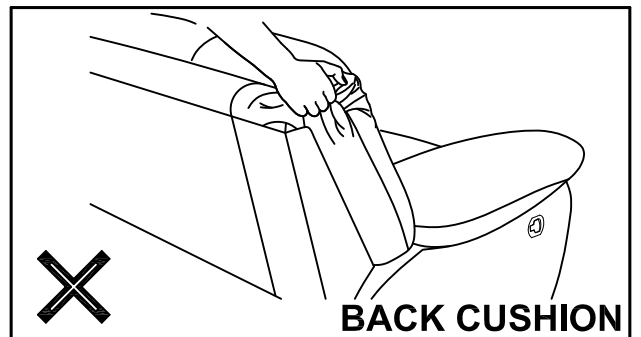
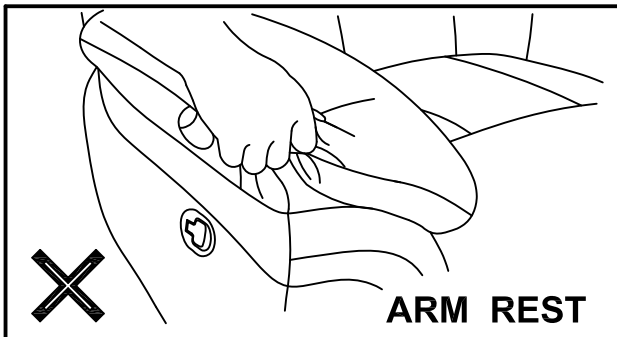


BOX-1 	BOX-2 BOX-3 	BOX-4 	BOX-5 BOX-6 	BOX-7
HARDWARE IN BOX-4				
1 x4	2 x4	3 x4	4 x4	5 x1

ATTENTION

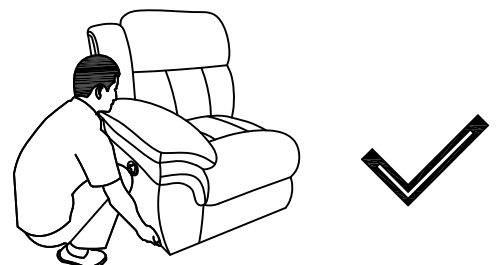
Fragile Spots :

Be careful , do not grip at fragile spots where they can be damaged easily .



Moving

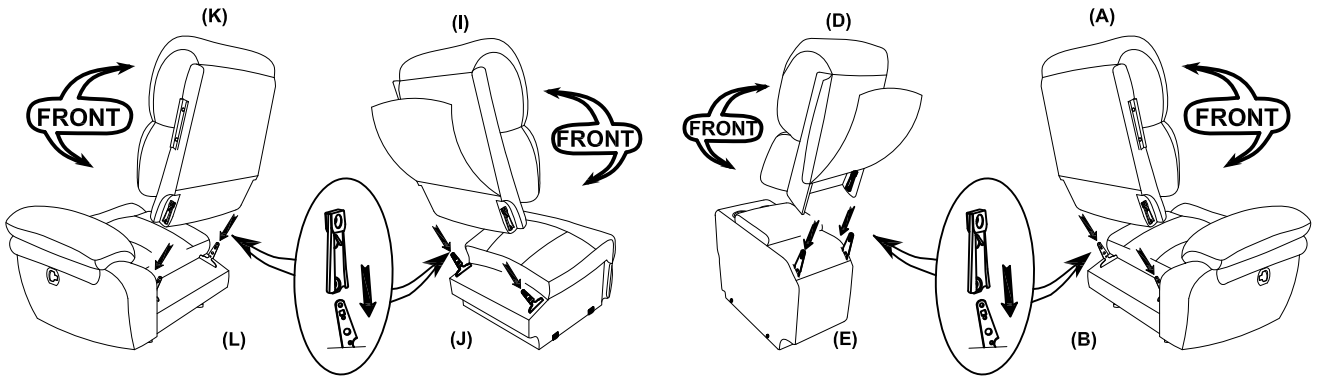
Hold the side and bottom of sofa while moving .



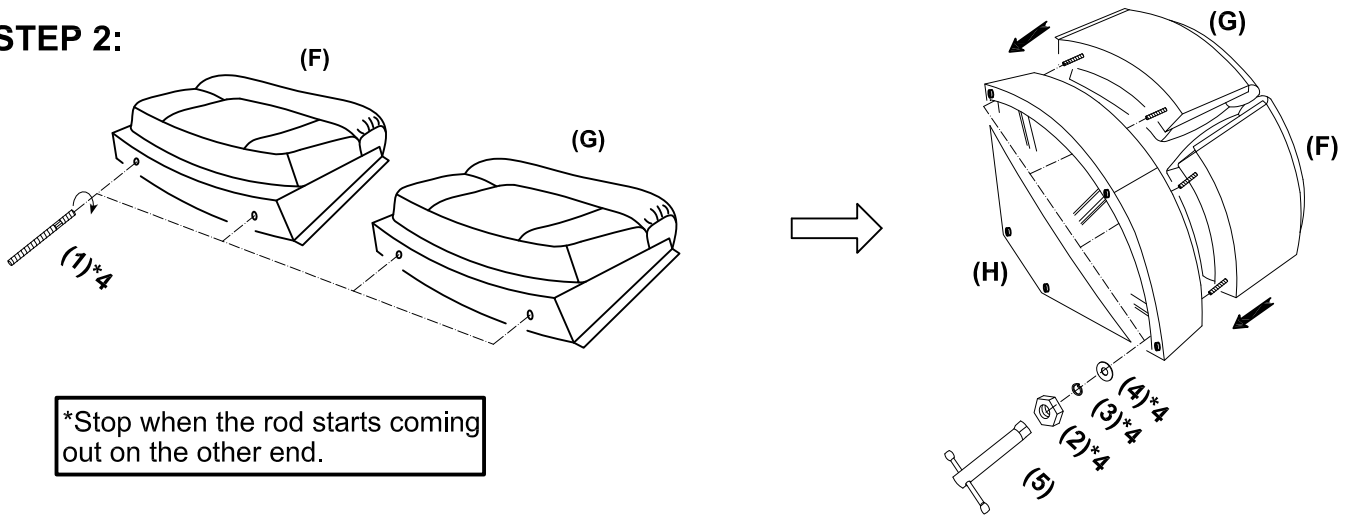
How to assemble:

STEP 1:

Note : Match both side metal bracket , push down back cushion to assemble .

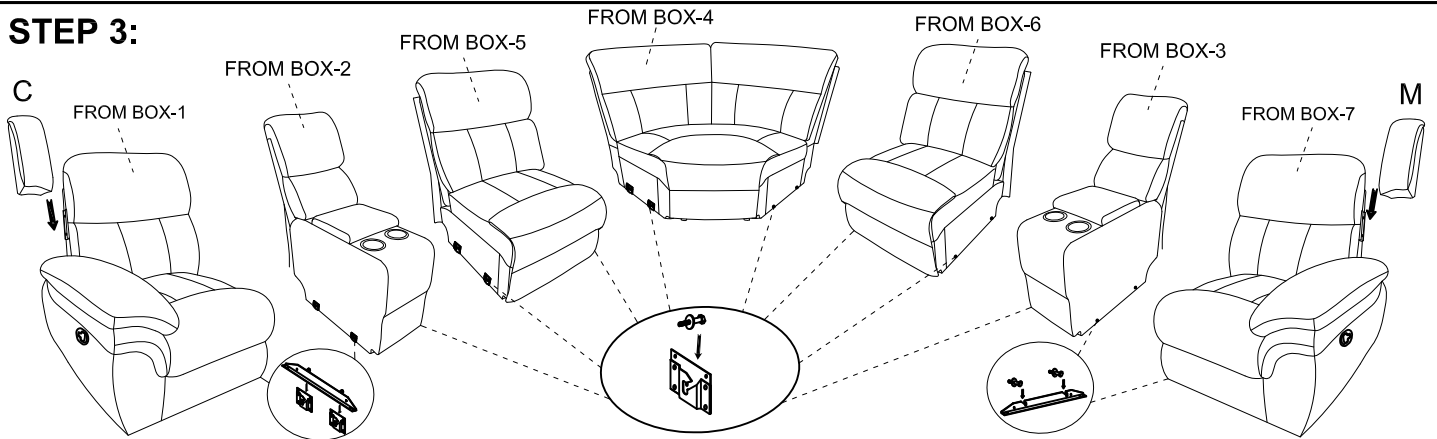


STEP 2:



*Stop when the rod starts coming out on the other end.

STEP 3:



STEP 4:

