

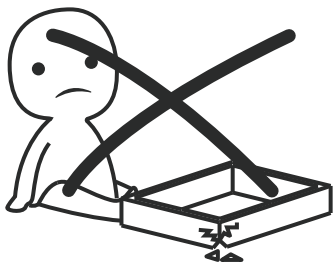
INSTALLATION

Product Manual



IMPORTANT INFORMATION!

please read the entire manual before starting to assemble and/or using this product. follow the manual thoroughly and keep it for further reference.



AVOID SCRATCHES!

In order to avoid scratching this furniture should be assembled on a soft layer- could be a rug.



IMPROVE EFFICIENCY !

Try to find a partner to install with you, which can speed up the installation efficiency and shorten the time.



ANTI-TOPPLE WARNING !

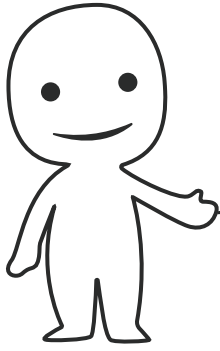
Overturnd furniture can cause serious or fatal crush injuries. To prevent tipping over, be sure to use the wall attachment, if not included with this product. Please purchase the wall attachment that fit your wall. If unsure, seek professional advice. Please read and follow each step of the instructions carefully.

IMPORTANT !

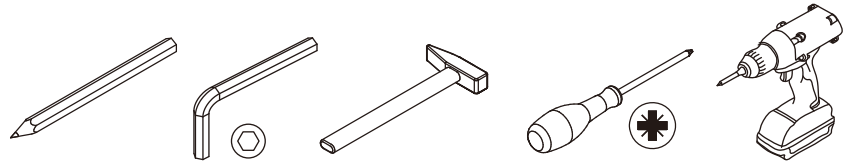
It is important that any product which is assembled using any kind of screw is re-tightened 2 weeks after assembly, and once every 3 months - in order to assure stability through-out the lifespan of the product.

For regular maintenance and cleaning of the product, for the frame, please use a rag dipped in neutral detergent to fully wipe it, and then dry it with a clean rag. For glass materials, wipe with a rag dampened with water glass cleaner, and then dry with a dry rag.

Do not use an electric screwdriver, and do not use too much force when installing, because the board is easy to break.

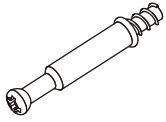


Please prepare the following tools



When installing, please carefully confirm whether each screw corresponds to the manual, accessories with similar shapes can be distinguished by size

A x 99



Ø6x35mm

B x 99



Ø15x12mm

C x 64

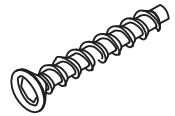


Ø3x12mm

D x 1



E x 6



Ø6x50mm

F x 25



Ø4x30mm

G x 7



H x 7

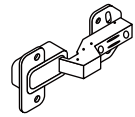


Ø4x16mm

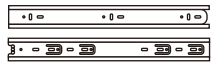
I x 4



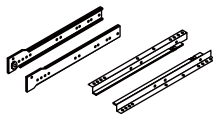
J x 2



K x 2



L x 5



Ø30 mm

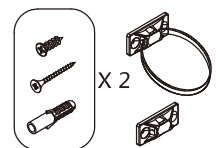
M x 1



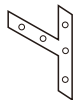
N x 4



O x 2



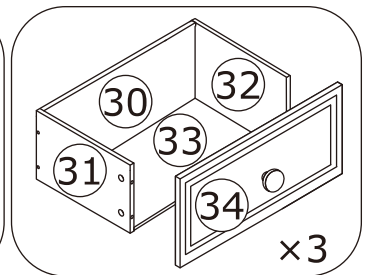
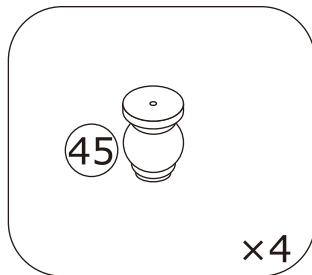
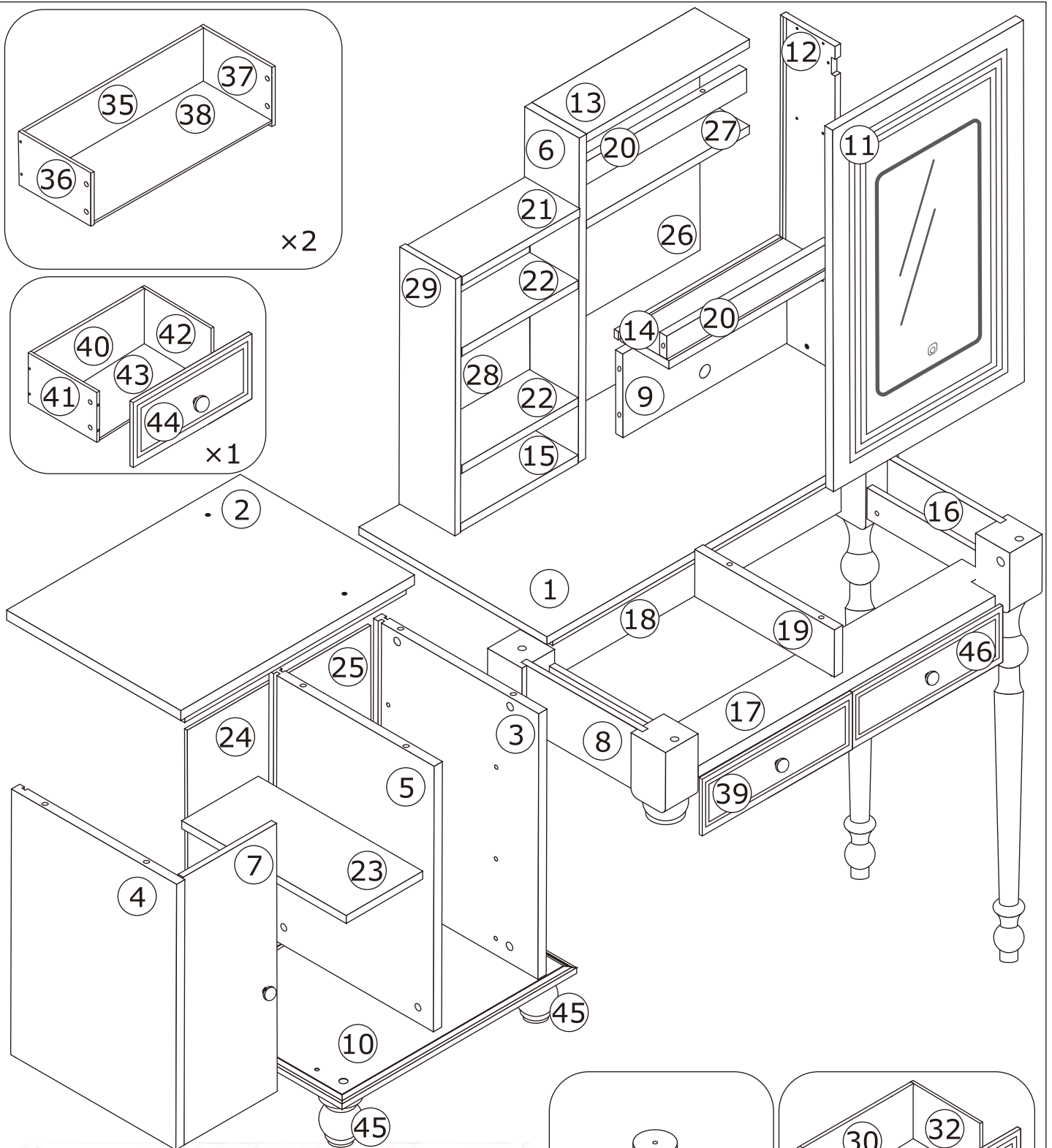
Q x 2



R x 10



Ø3 x 15 mm

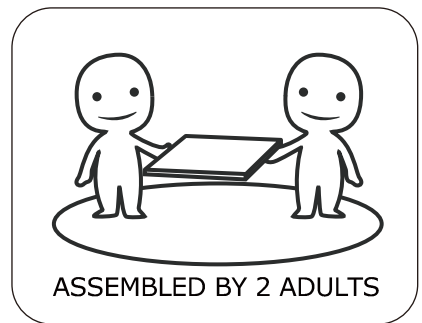


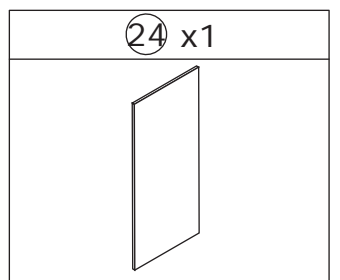
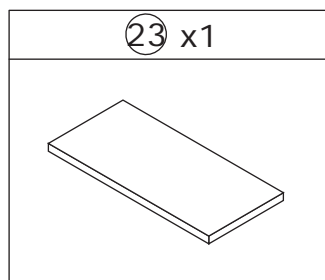
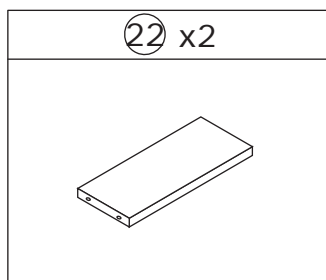
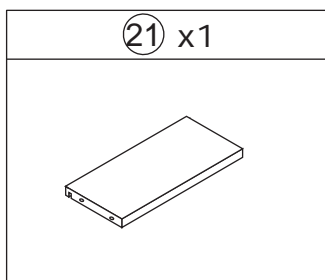
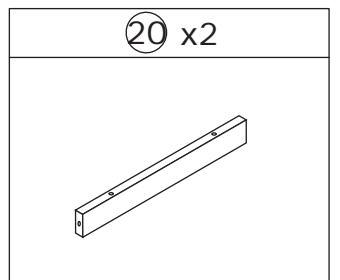
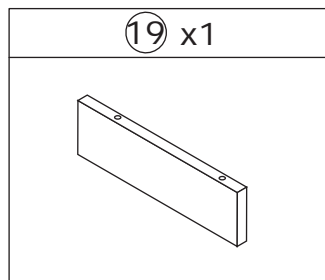
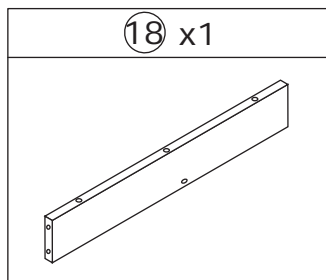
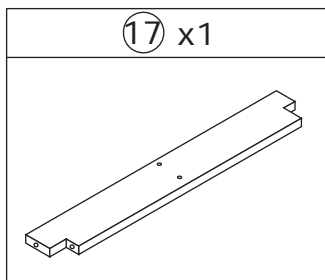
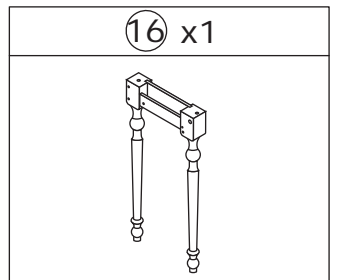
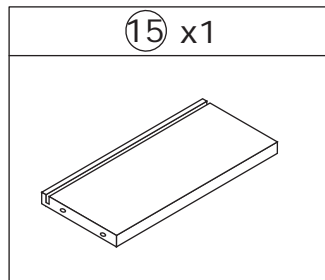
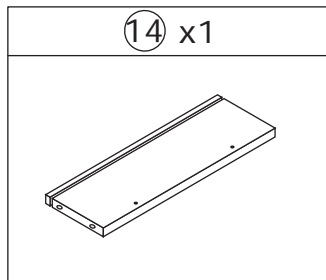
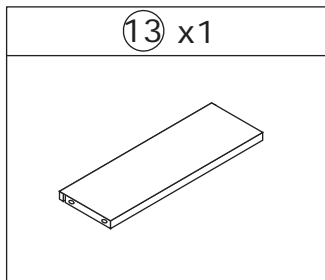
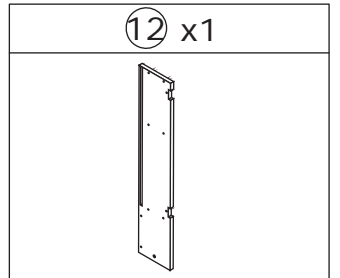
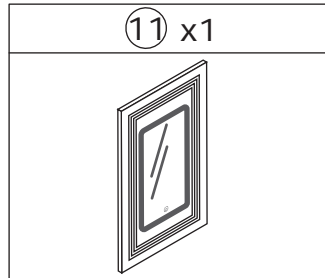
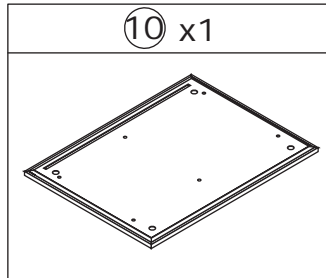
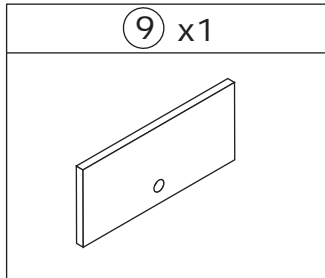
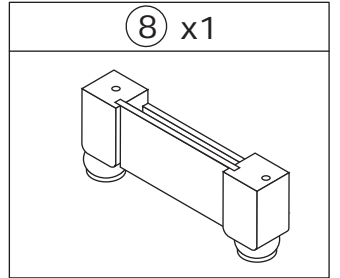
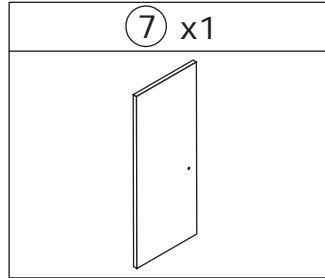
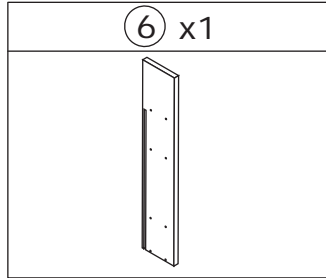
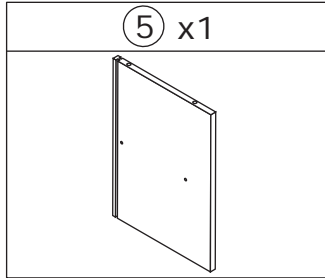
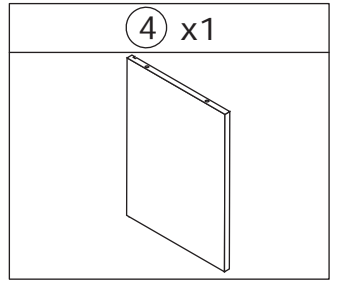
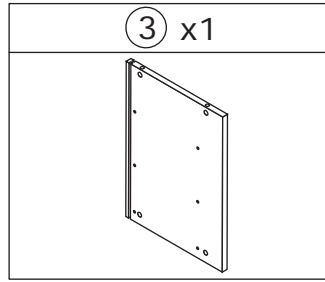
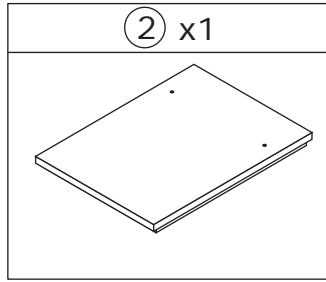
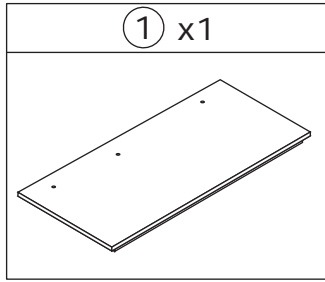
⚠ WARNING

Children have died from furniture tipover. To reduce the risk of furniture tipover:

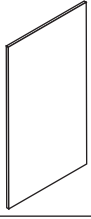
- ALWAYS install Anti-tip device provided.
- NEVER put a TV on this product.
- NEVER allow children to stand, climb or hang on drawers, doors, or shelves.
- NEVER open more than one drawer at a time.
- Place heaviest items in the lowest drawers.

This is a permanent label. Do not remove!

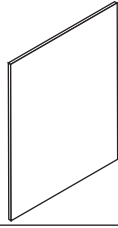




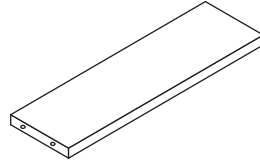
25 x1



26 x1



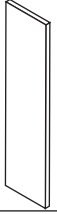
27 x1



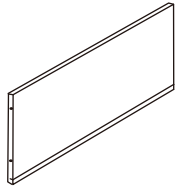
28 x1



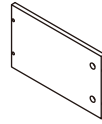
29 x1



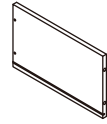
30 x3



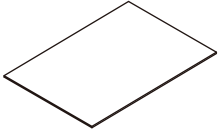
31 x3



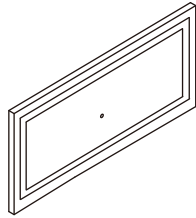
32 x3



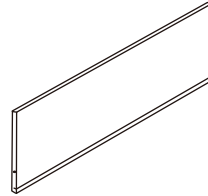
33 x3



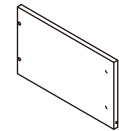
34 x3



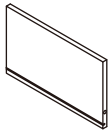
35 x2



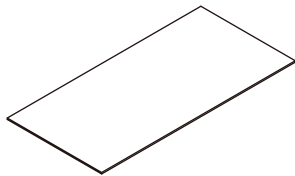
36 x2



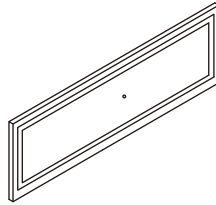
37 x2



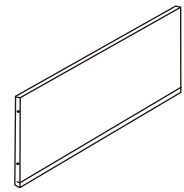
38 x2



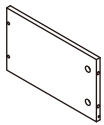
39 x1



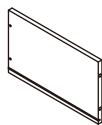
40 x1



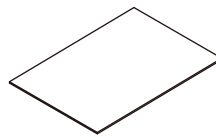
41 x1



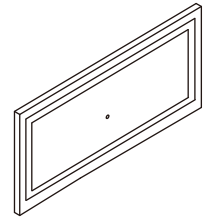
42 x1



43 x1



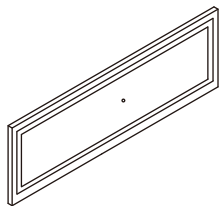
44 x1



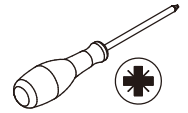
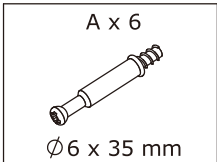
45 x4



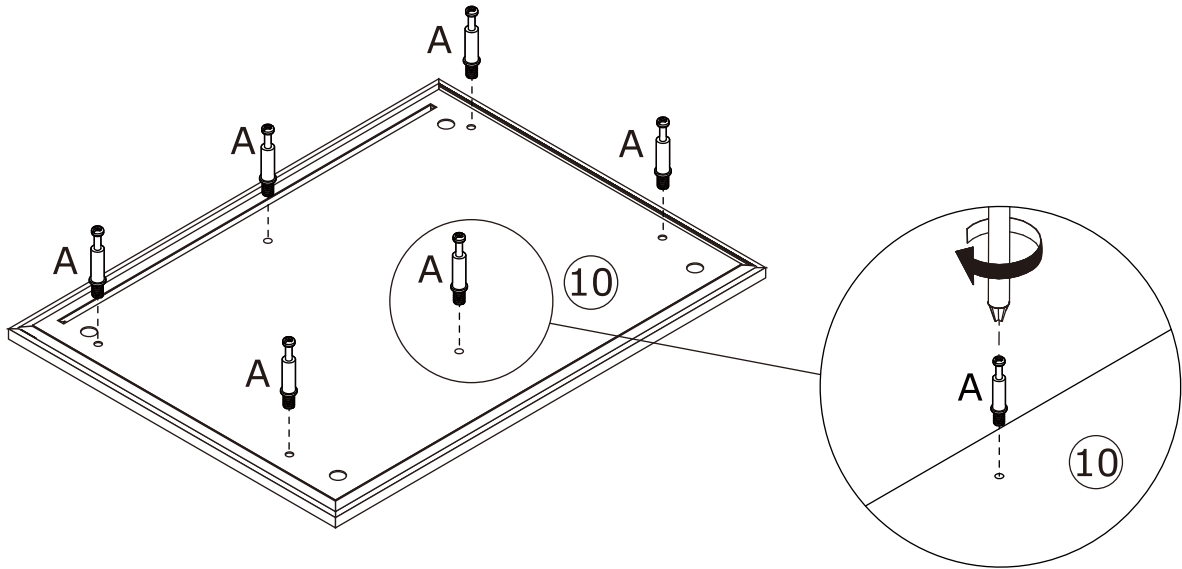
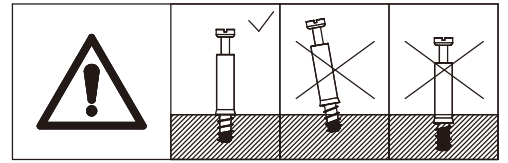
46 x1



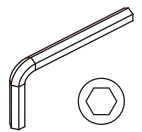
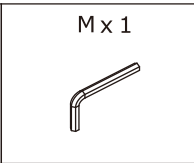
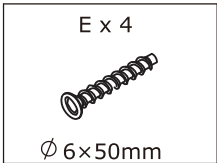
1



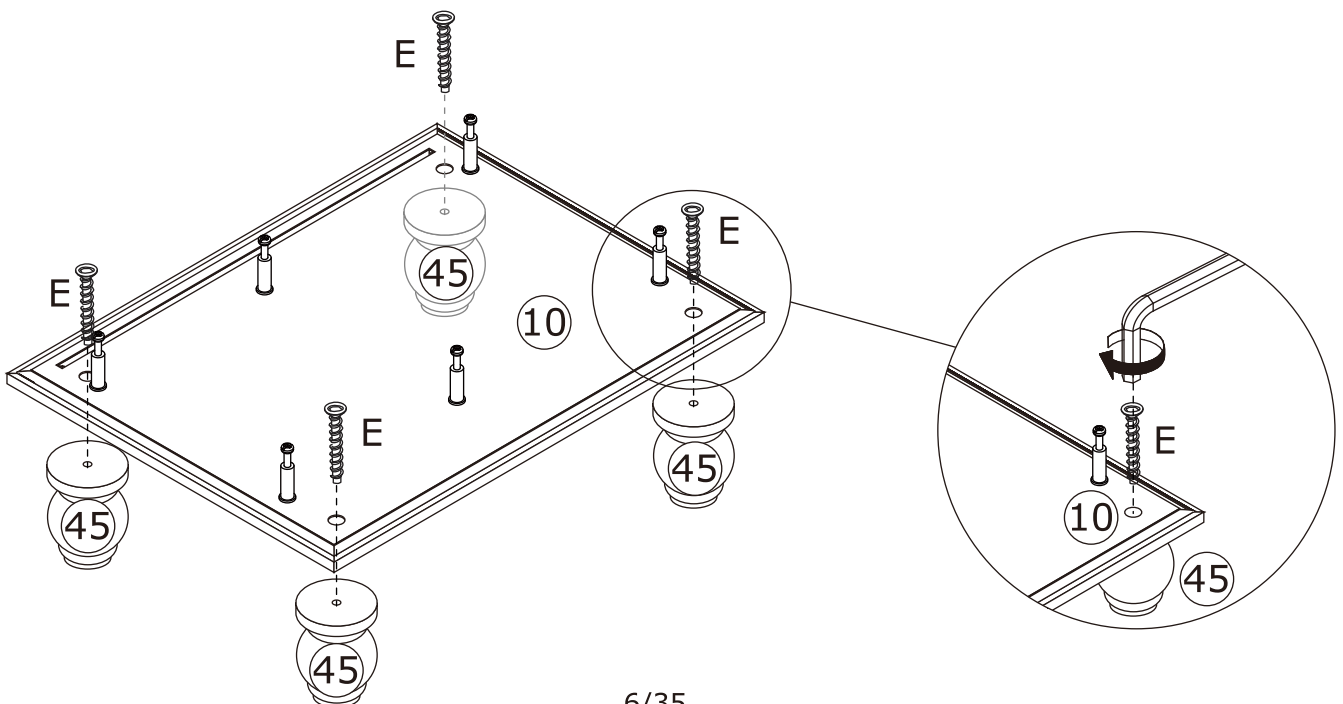
Screw eccentric rod(A)
into board 10 at first.



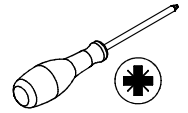
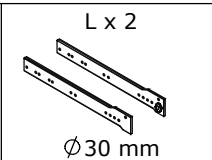
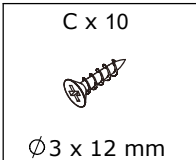
2



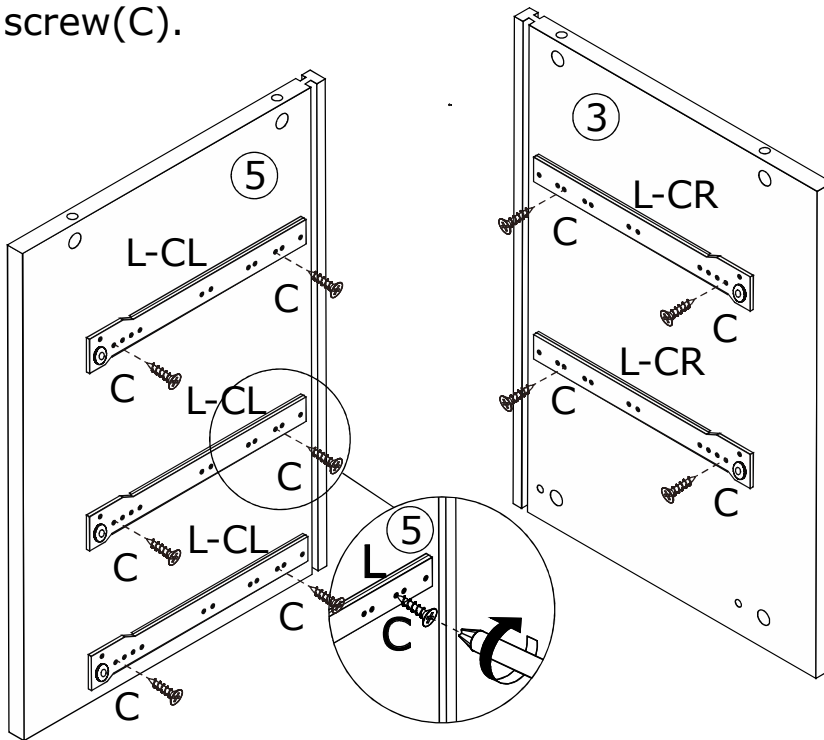
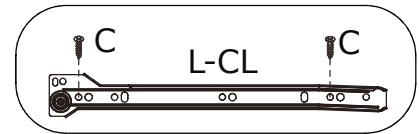
Attach four board 45 to board 10 with screw(E).



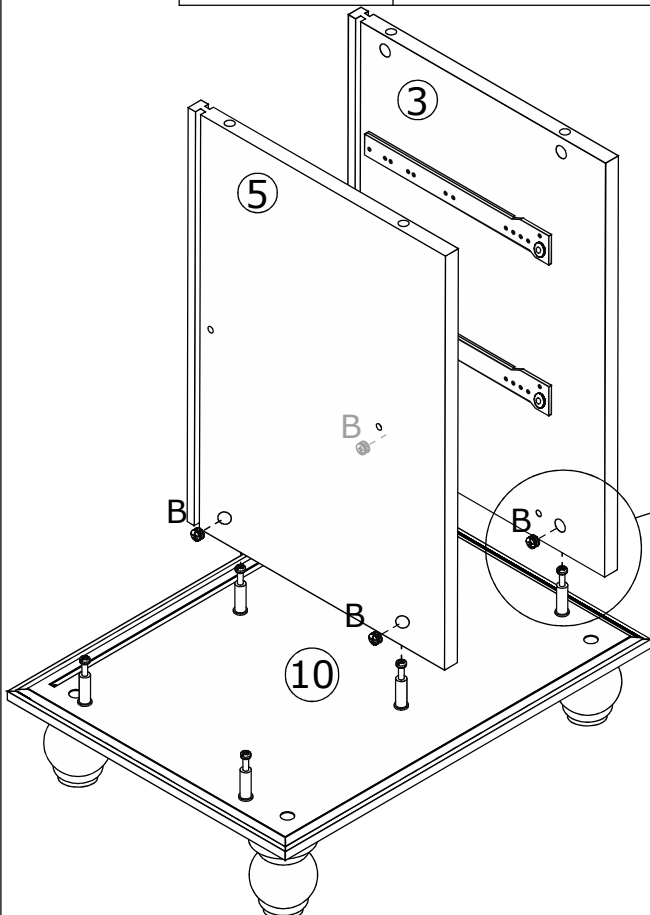
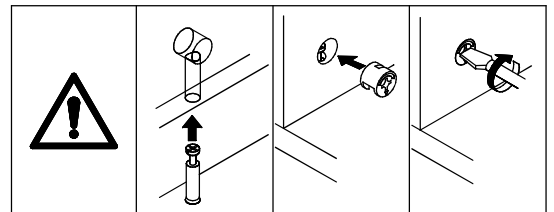
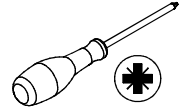
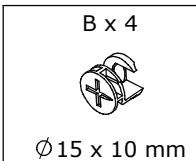
3



Fix rail(L) to two board 3,5 with screw(C).

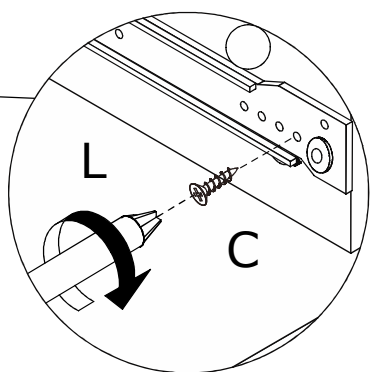
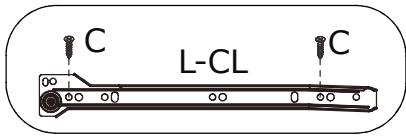
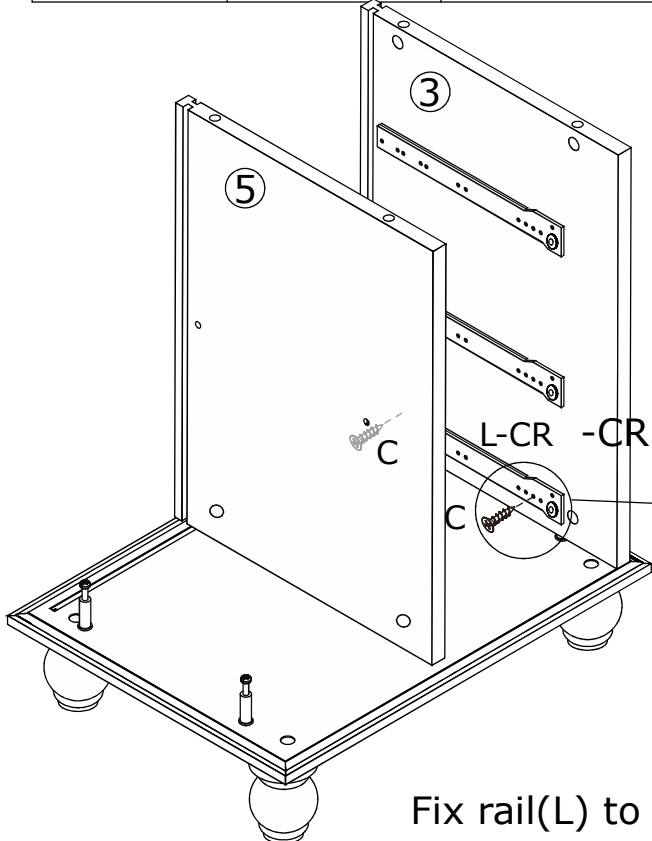
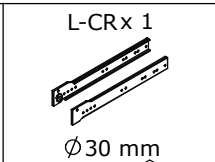
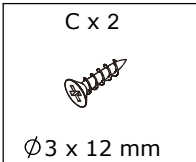


4



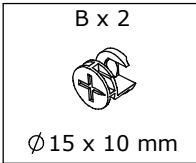
Attach board 3,5 to board 10, add cam lock(B) into board 3,5 and turn clockwise to tighten as shown.

5

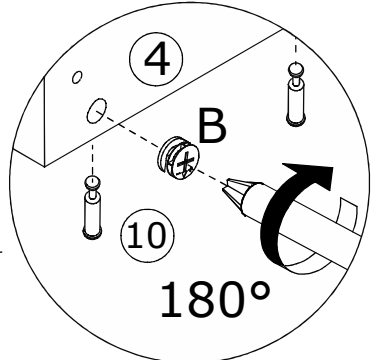
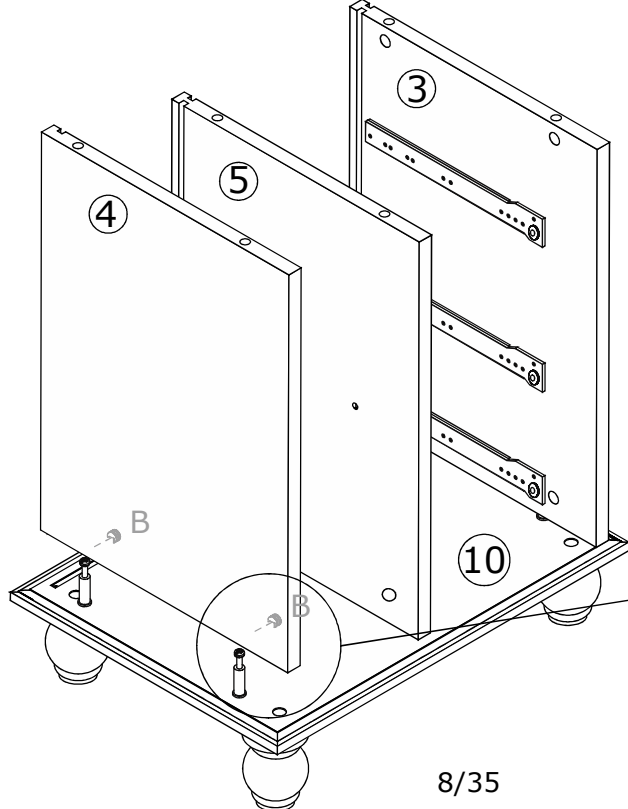
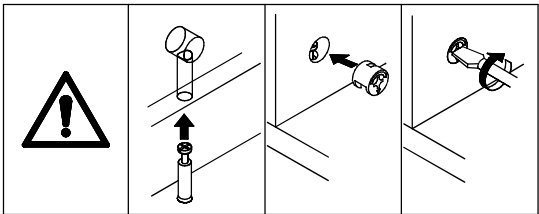


Fix rail(L) to two board 3,5 with screw(C).

6

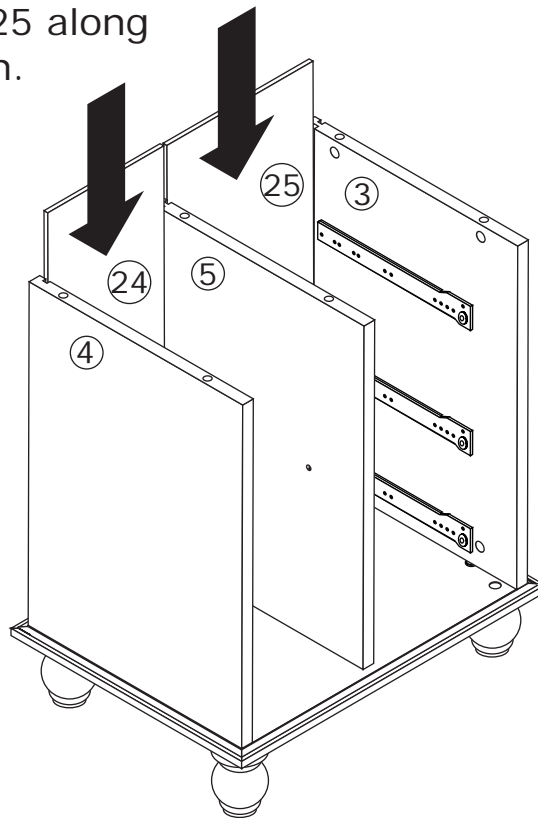


Attach board 4 to board 10, add cam lock(B) into board 4, and turn clockwise to tighten as shown.

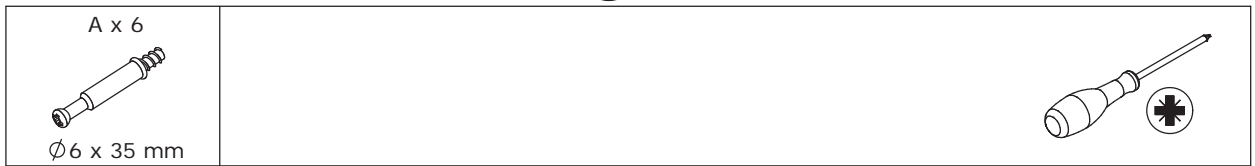


7

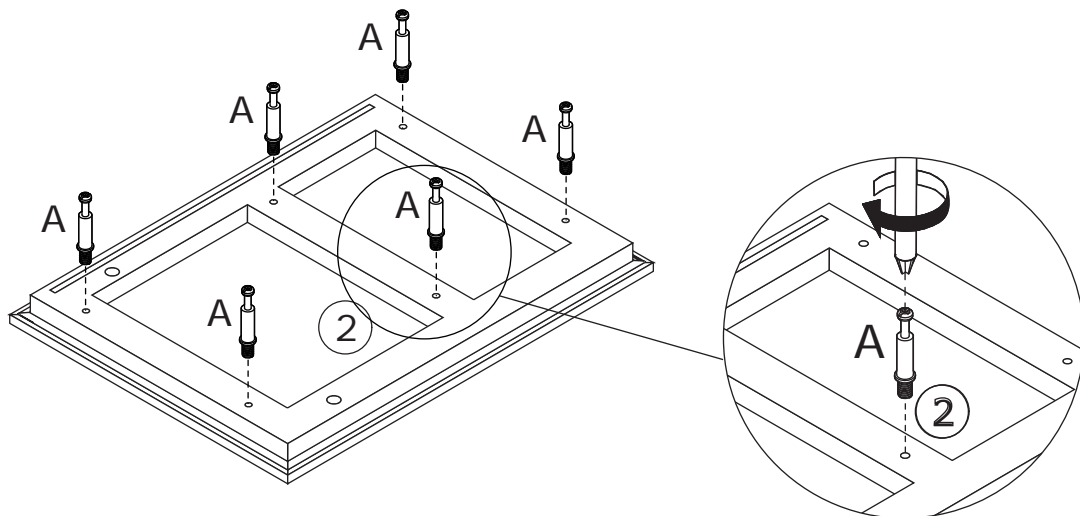
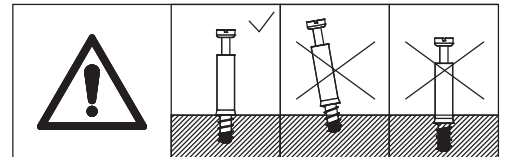
Insert back board 24 and 25 along available grooves as shown.



8

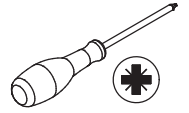


Screw eccentric rod(A) into board 2 at first.

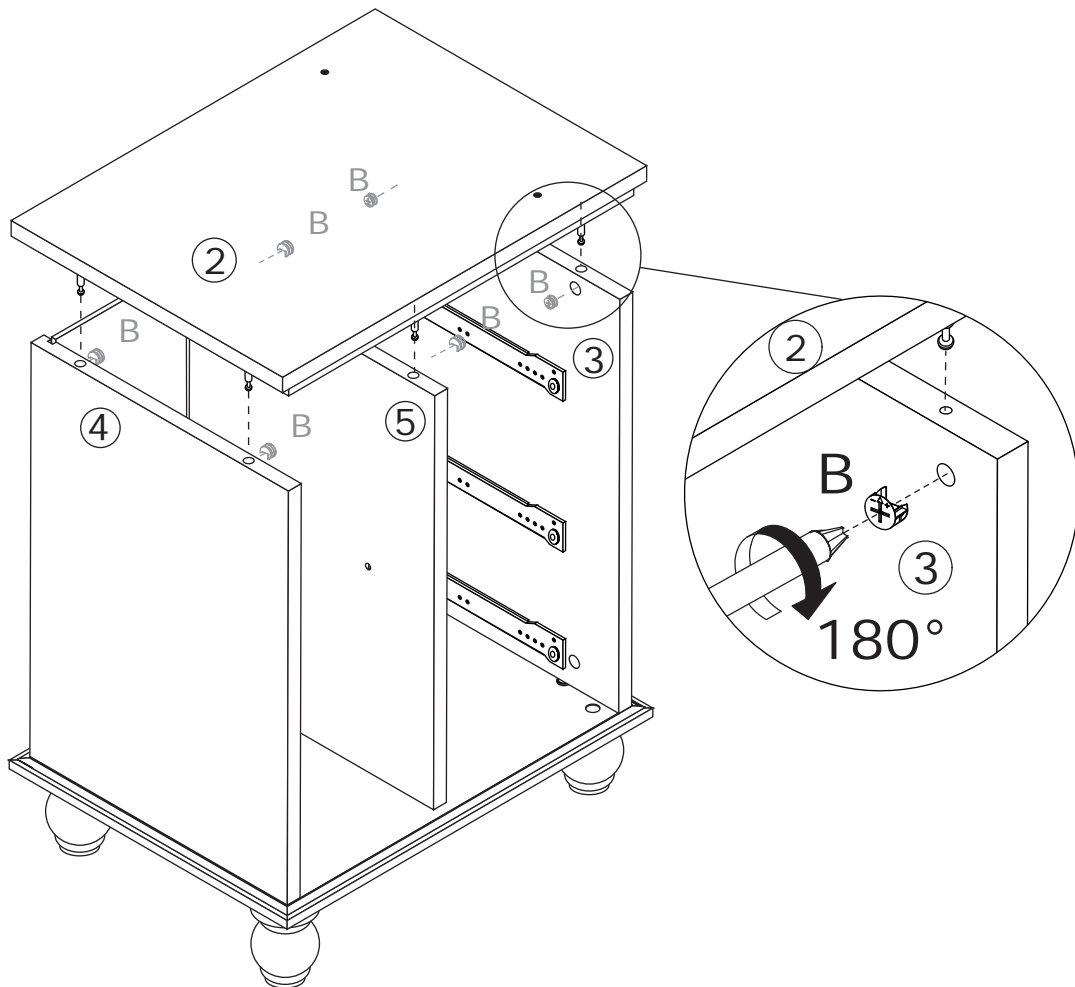
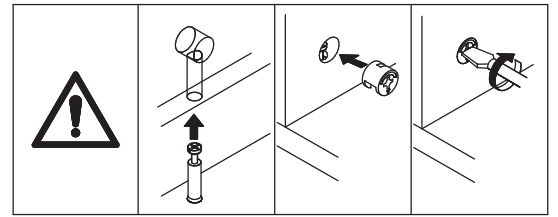


9

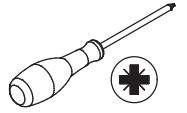
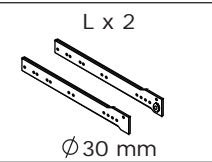
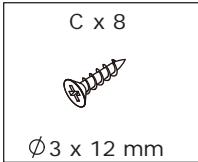
B x 6
Ø15 x 10 mm



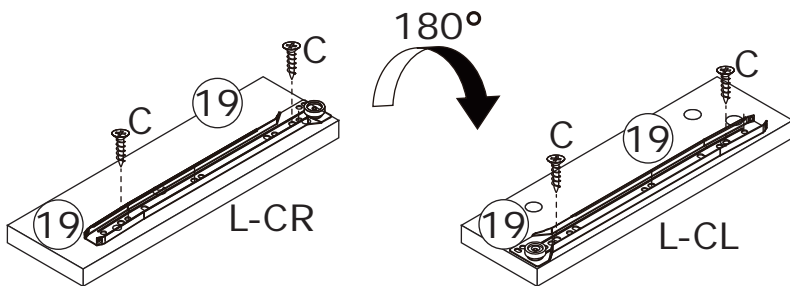
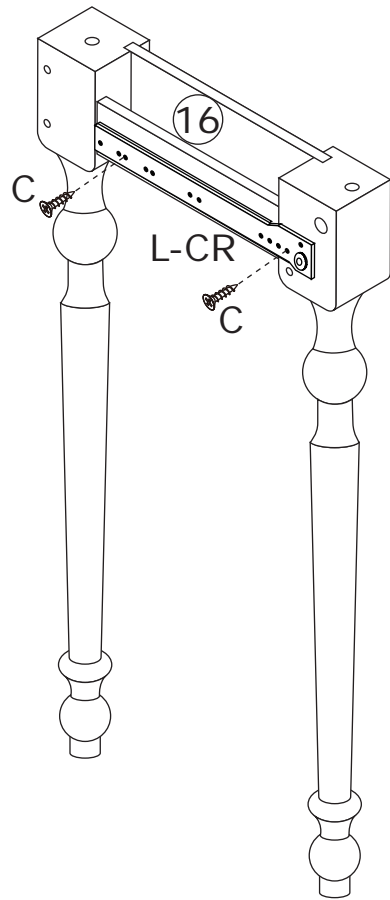
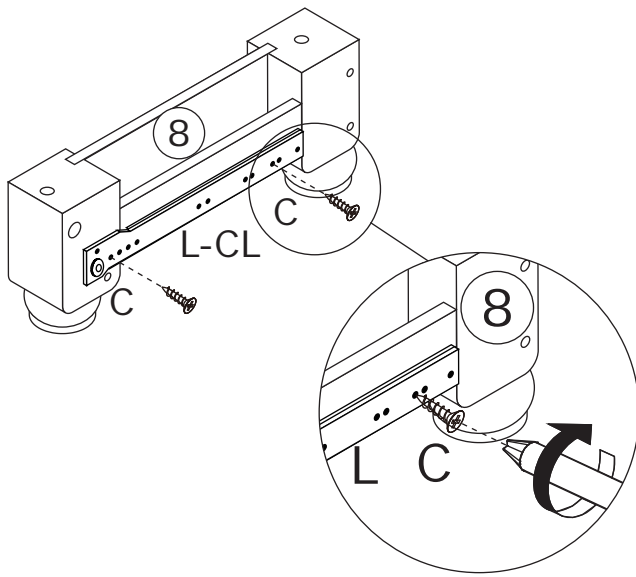
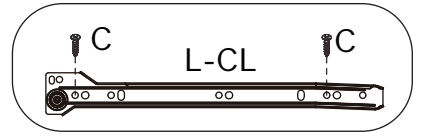
Cover board 2 to board 3, 4 and 5, add cam lock(B) into board 3, 4, ,5 and turn clockwise to tighten as shown.



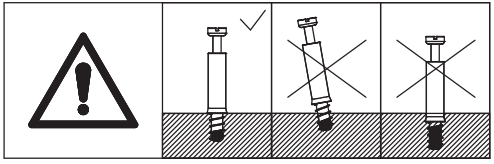
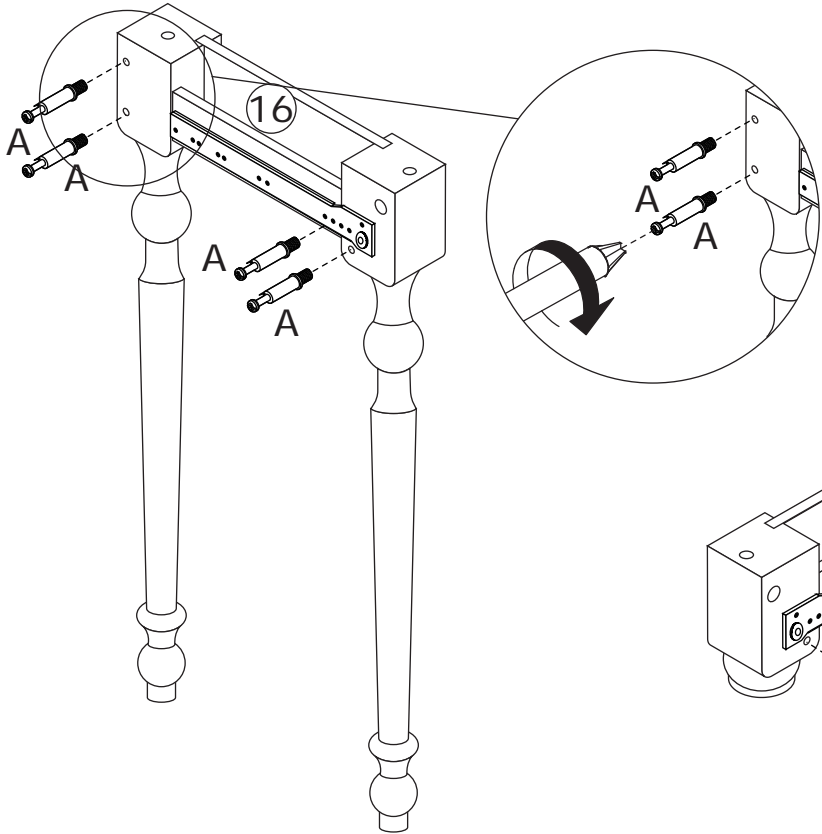
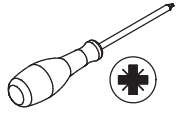
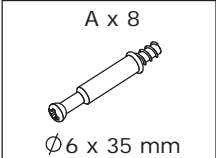
10



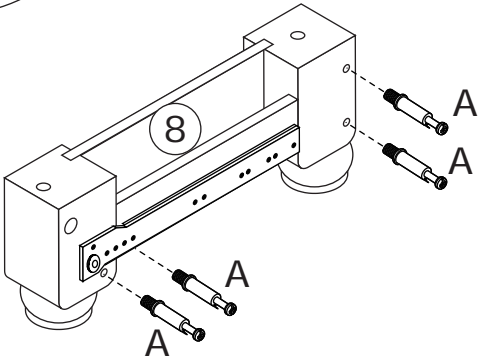
Fix rail(L) to two board 8,16 and 19 with screw(C).



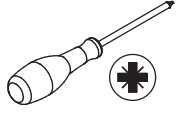
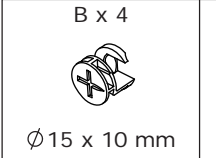
11



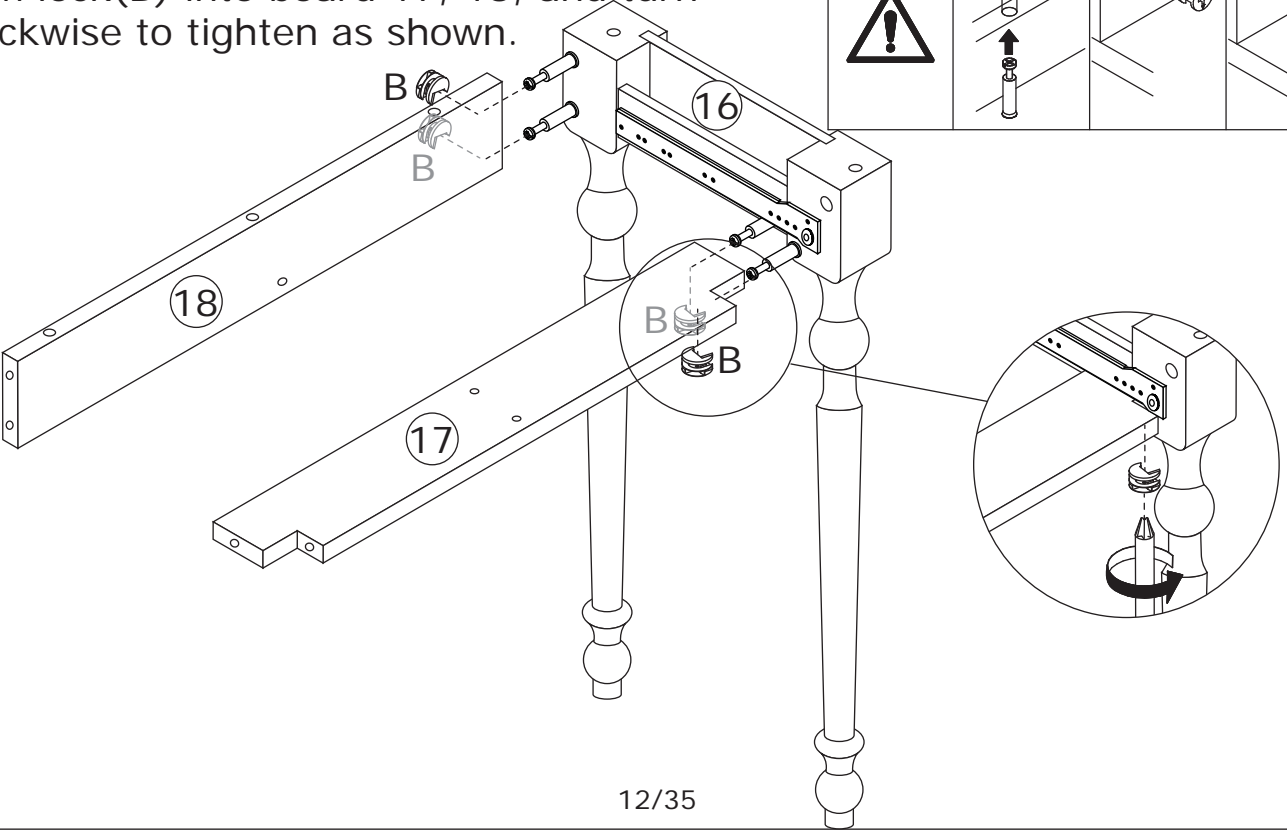
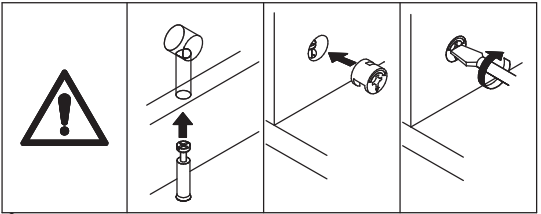
Screw eccentric rod(A) into board 8,16 at first.



12

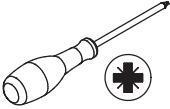


Attach board 17,18 to board 16, add cam lock(B) into board 17, 18, and turn clockwise to tighten as shown.

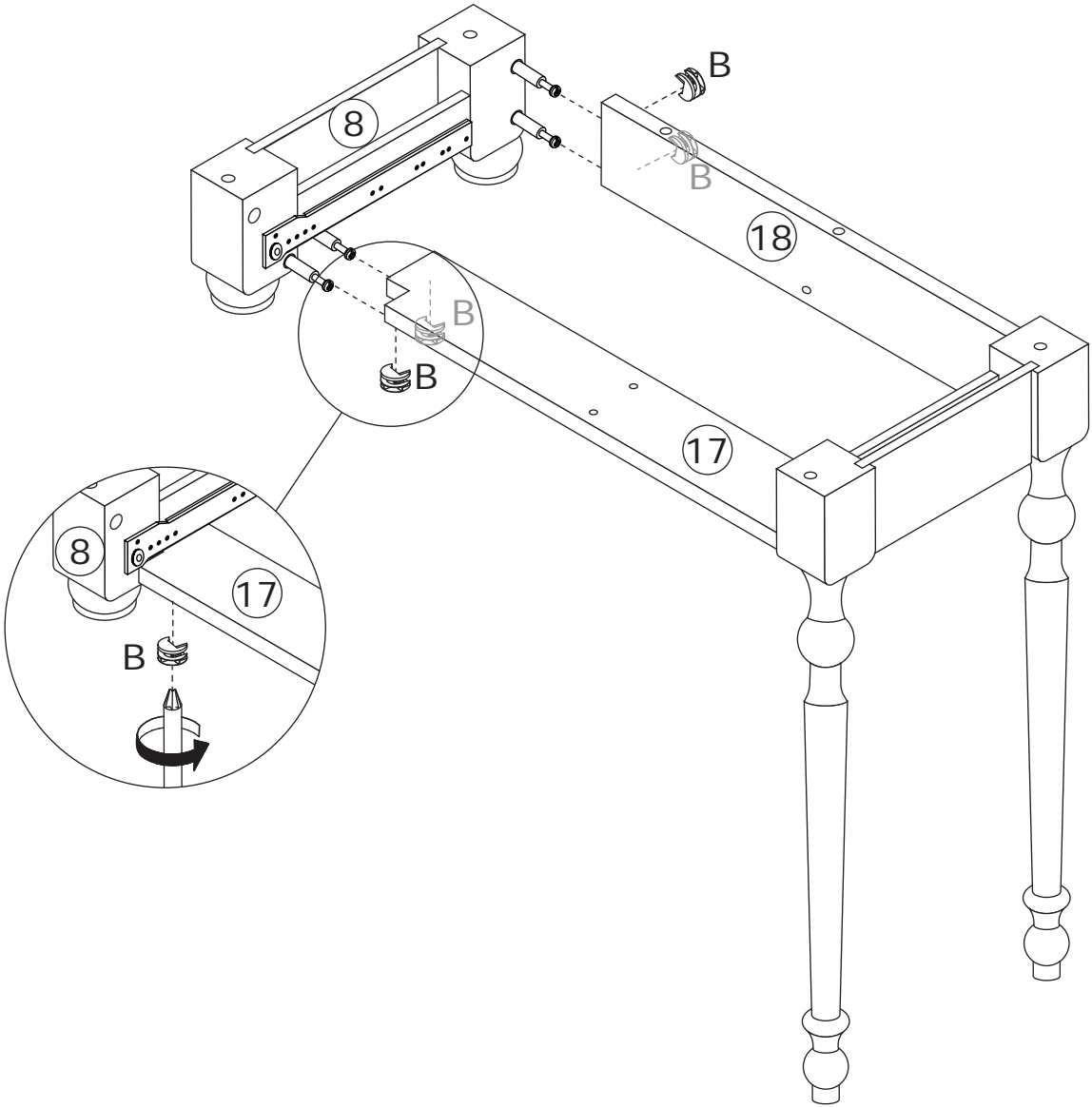
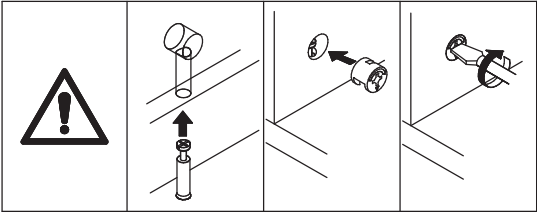


13

B x 4
Ø 15 x 10 mm



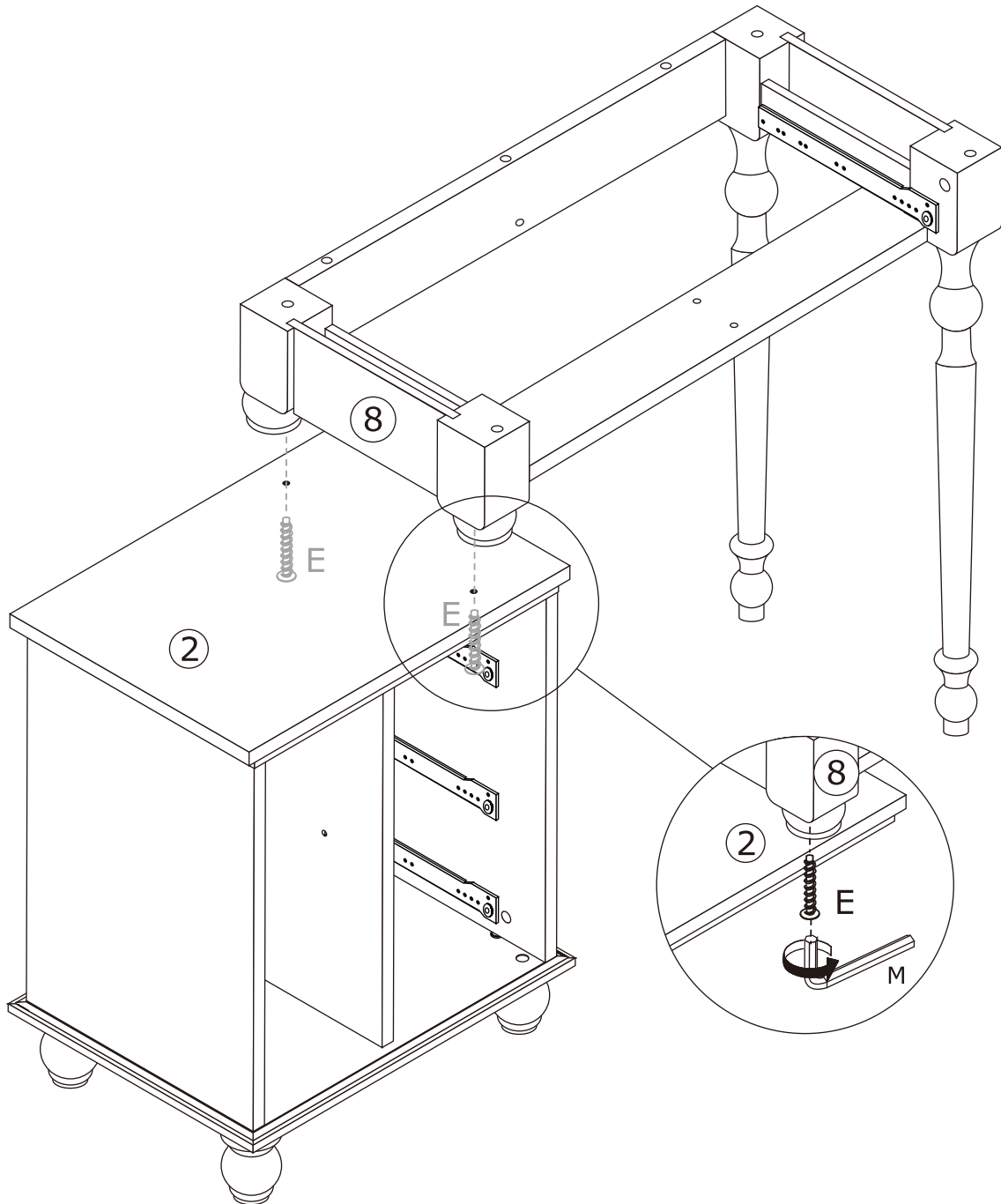
Attach board 8 to board 17,18 add cam lock(B) into board 17, 18, and turn clockwise to tighten as shown.



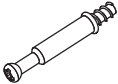



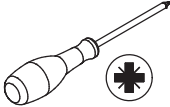
14



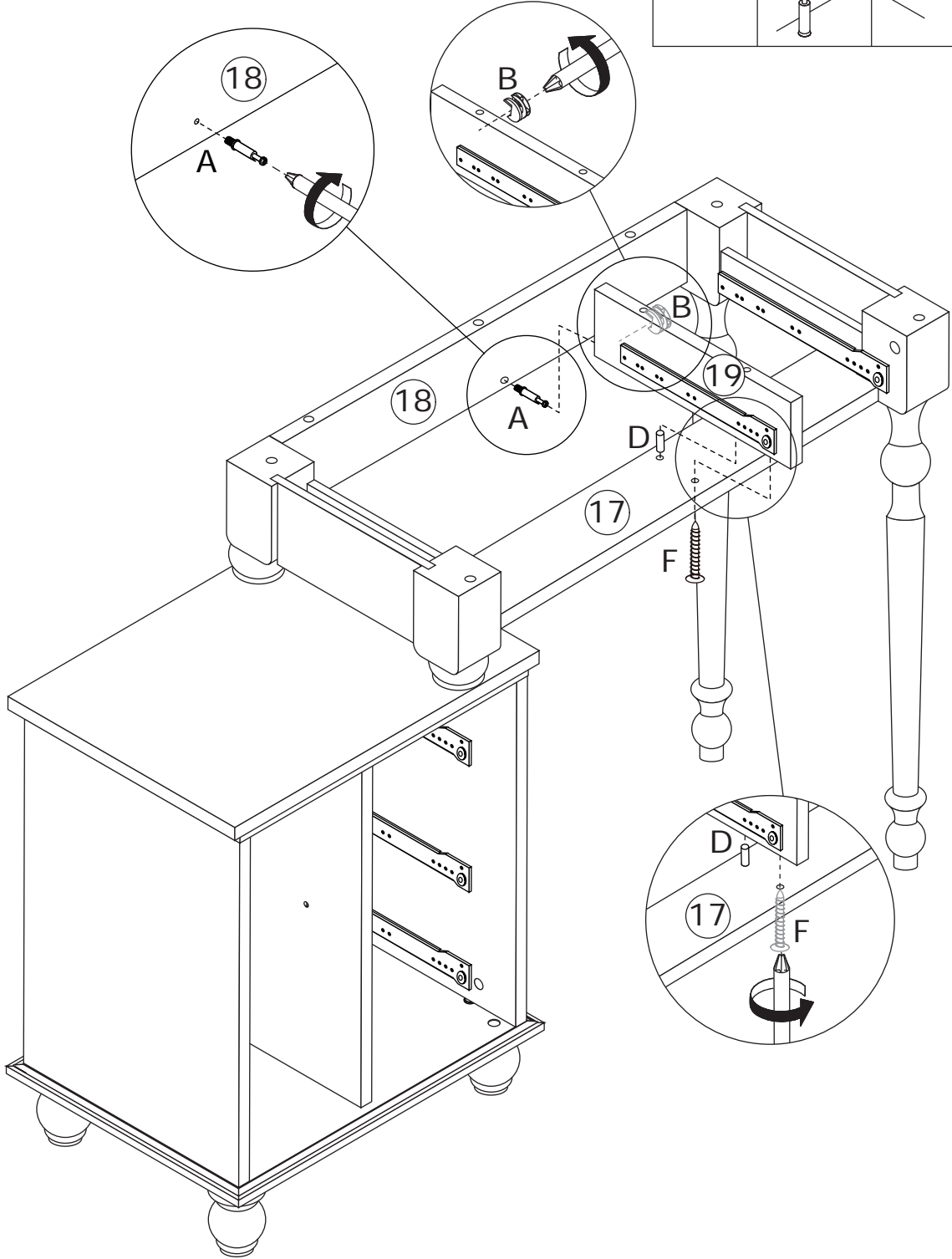
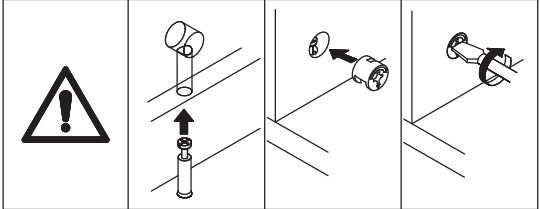
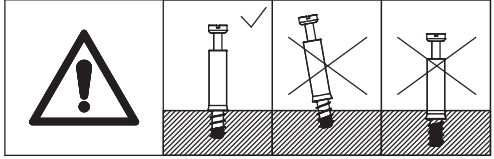
Attach board 8 to board 2 with screw(E).



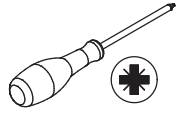
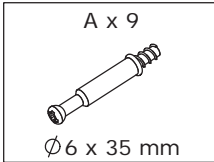
15

A x 1  Ø6 x 35 mm	B x 1  Ø15 x 10 mm	D x 1 	F x 1  Ø4x30mm	
--	---	--	--	---

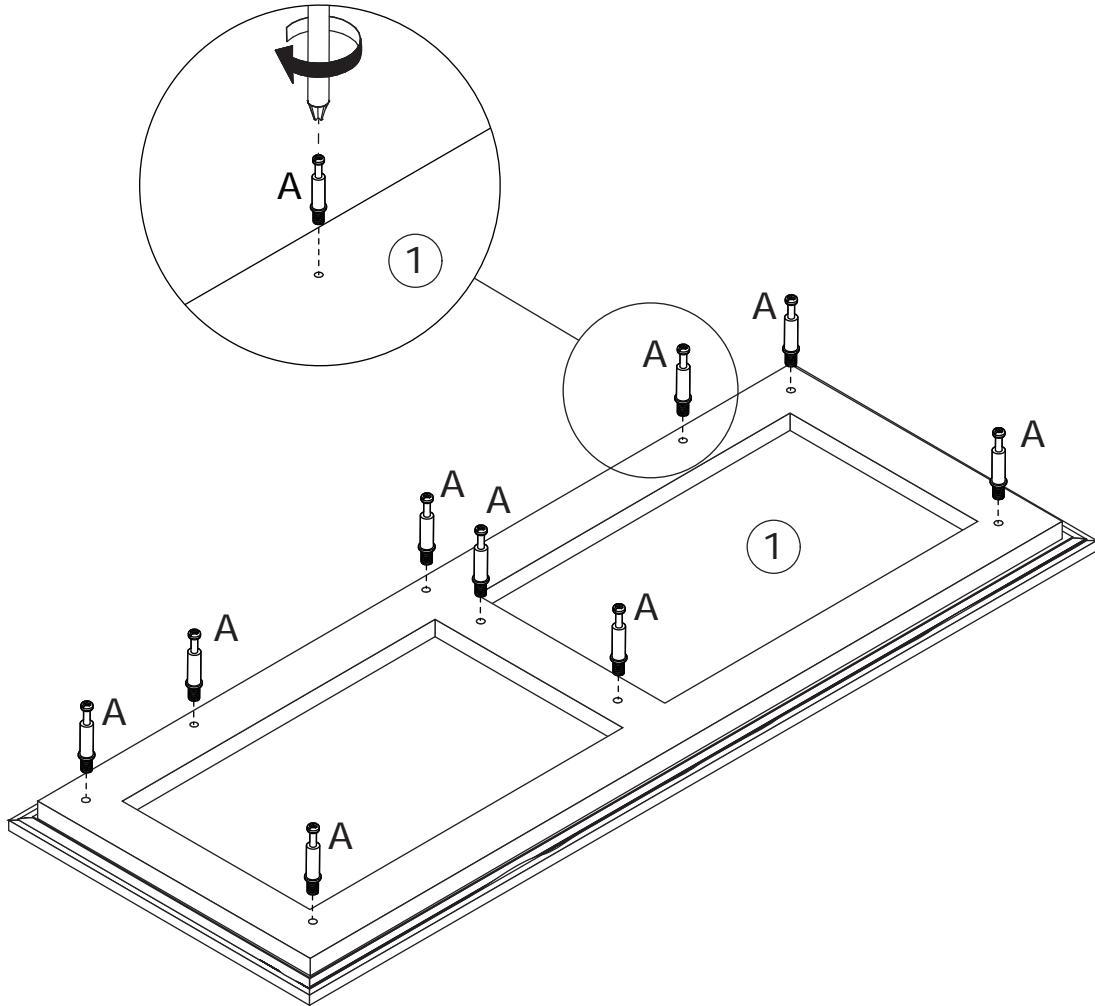
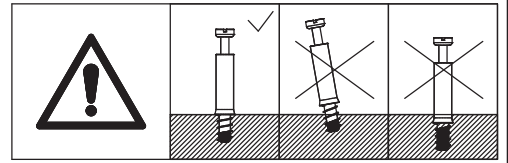
Screw eccentric rod(A) into board 18 at first,add cam lock(B) into board 19. Cover board 19 to board 17 with screw(F).



16

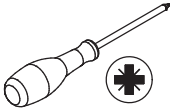


Screw eccentric rod(A)
into board 1 at first.

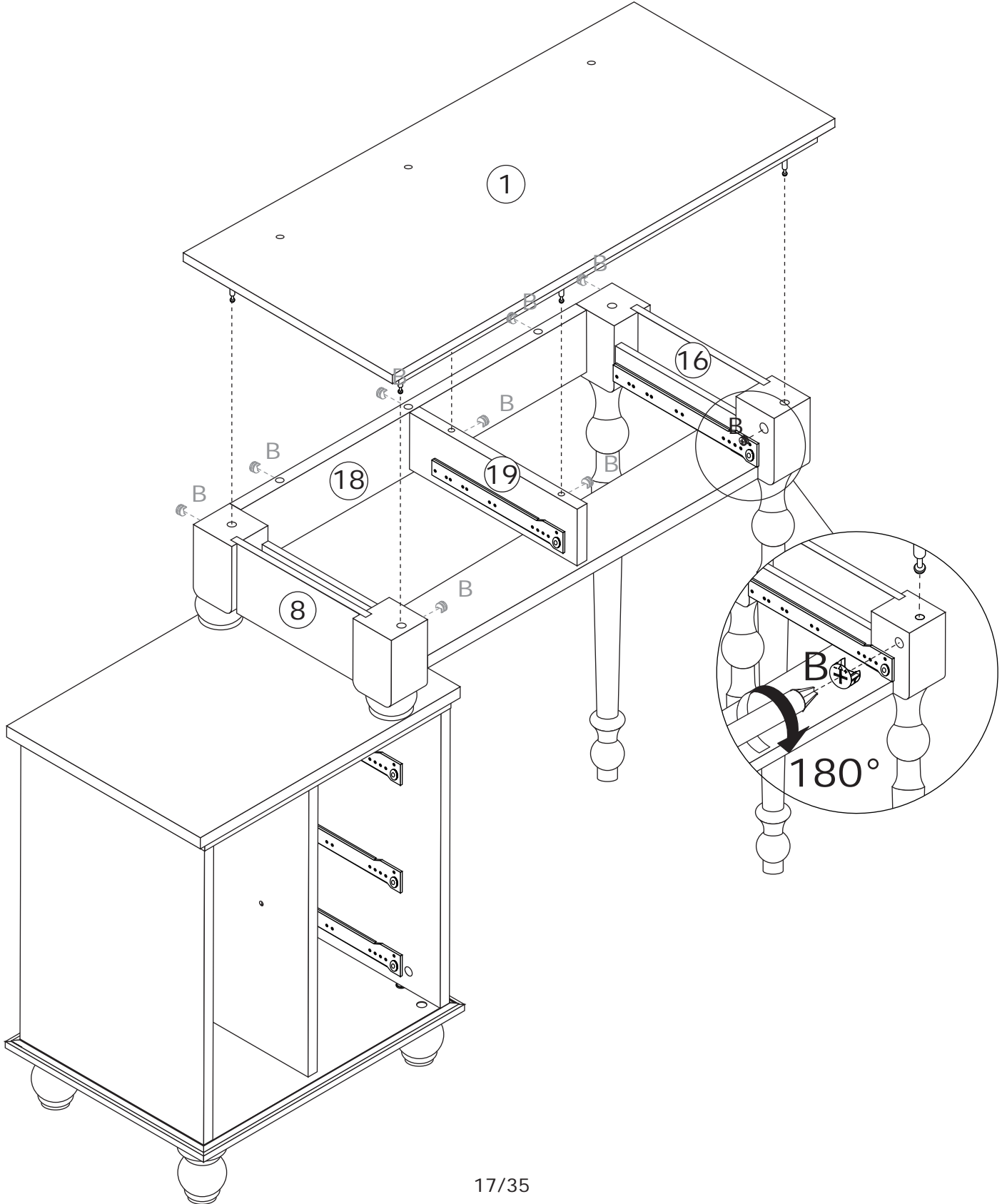
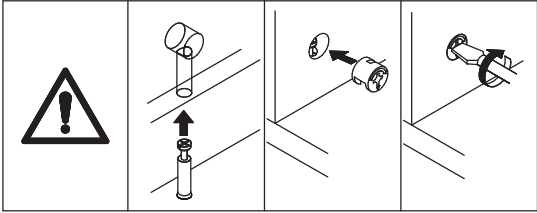


17

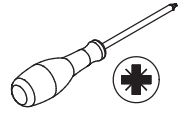
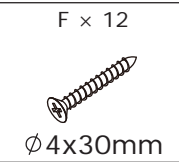
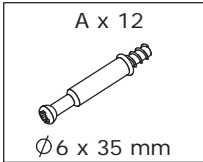
B x 9
Ø15 x 10 mm



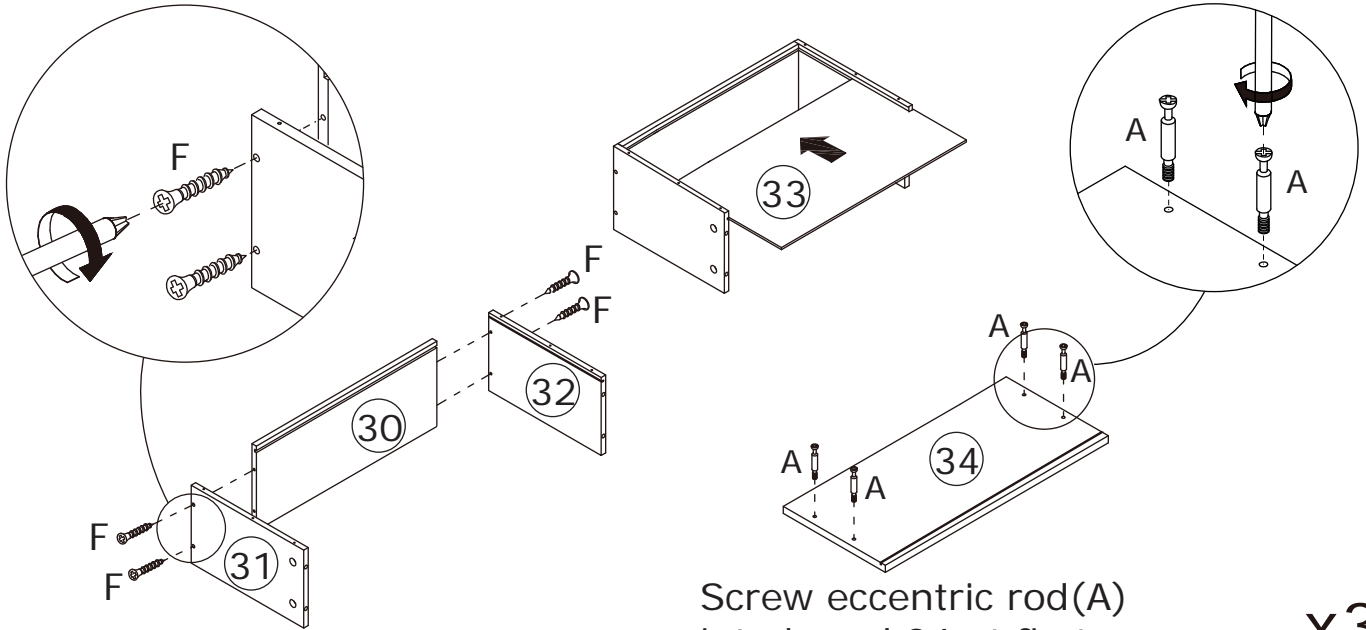
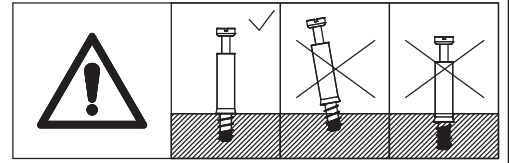
Cover board 1 to board 8, 16, 18 and 19, add cam lock (B) into board 8, 16, 18, 19 and turn clockwise to tighten as shown.



18



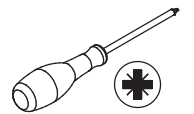
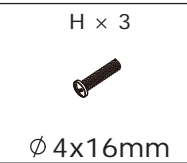
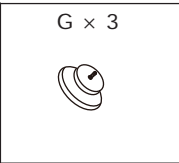
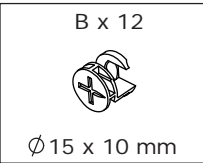
Attach board 31,32 to board 30 with screw(F).
Slide board 33 plate into available slots as shown.



Screw eccentric rod(A)
into board 34 at first.

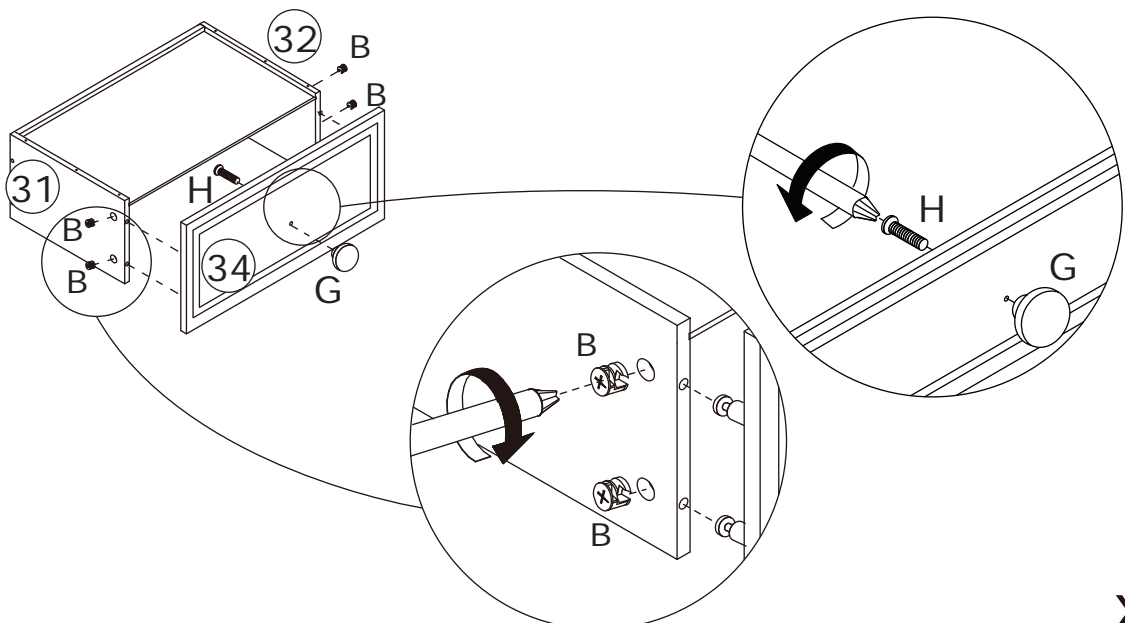
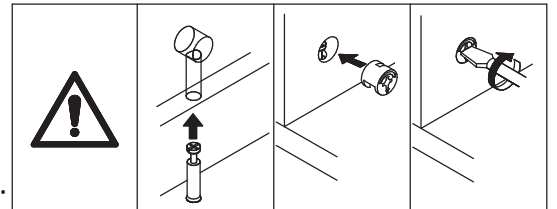
x3

19



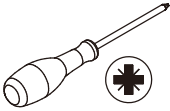
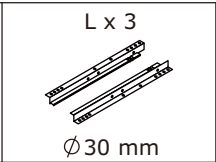
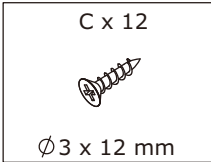
Attach board 34 to board 31,32,add cam lock(B) into board 31,32,and turn clockwise to tighten as shown.

Fix knob(G) to board 34 plate using screw(H).

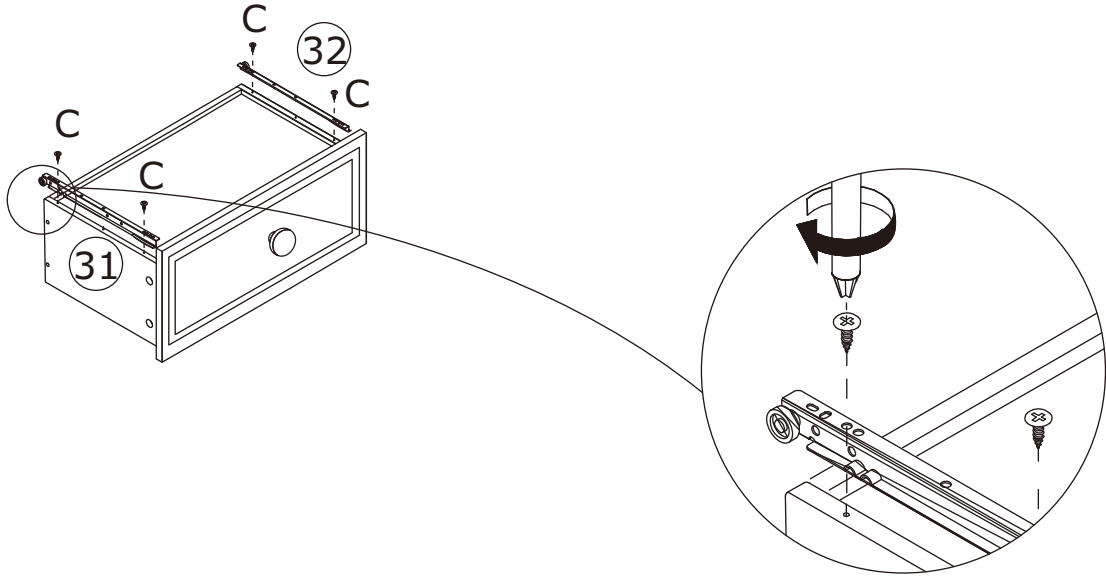


x3

20

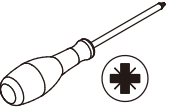
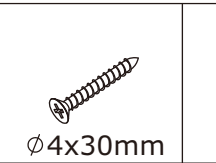
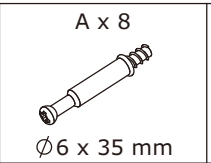


Fix rail(L) to two board 31,32 with screw(C).

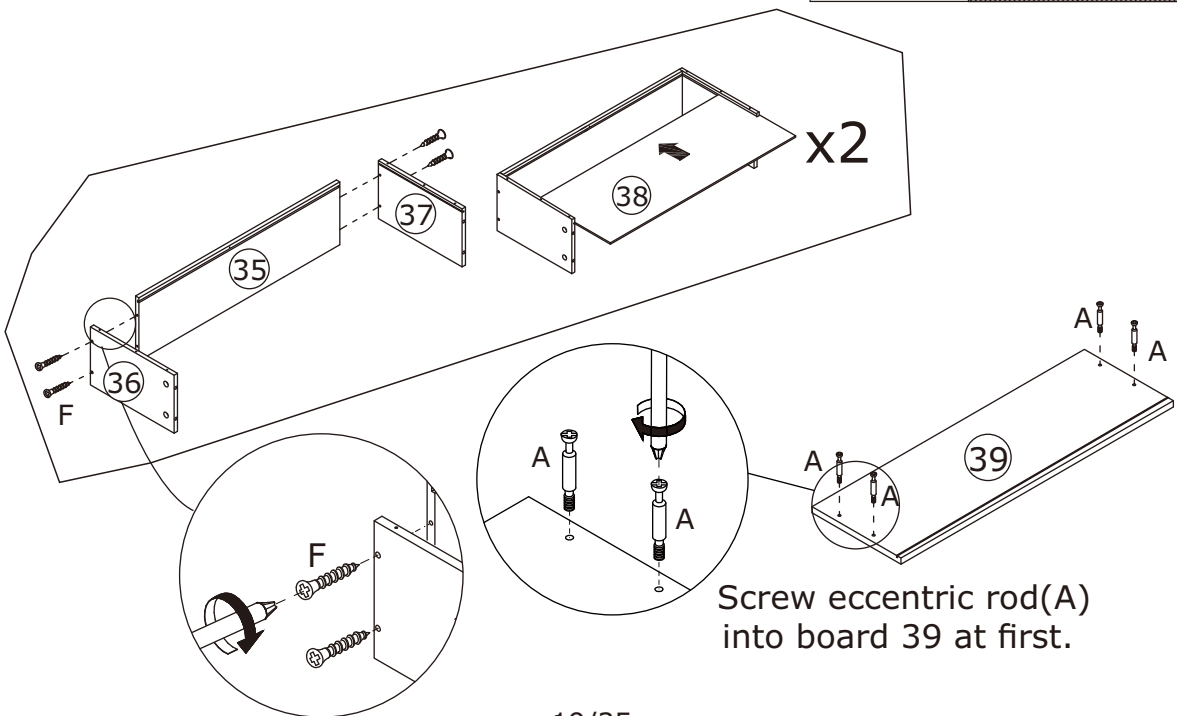
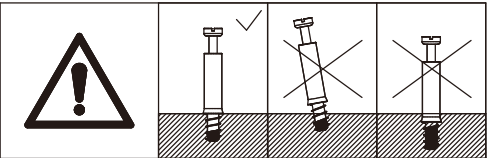


x3

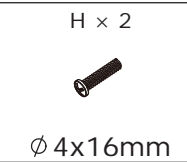
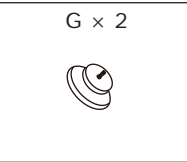
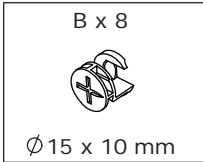
21



Attach board 36,37 to board 35 with screw(F).
Slide board 38 plate into available slots as shown.

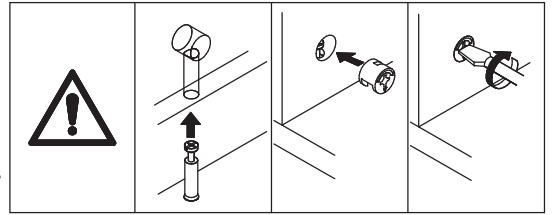


22



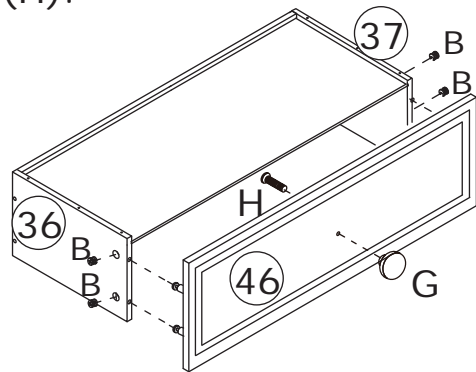
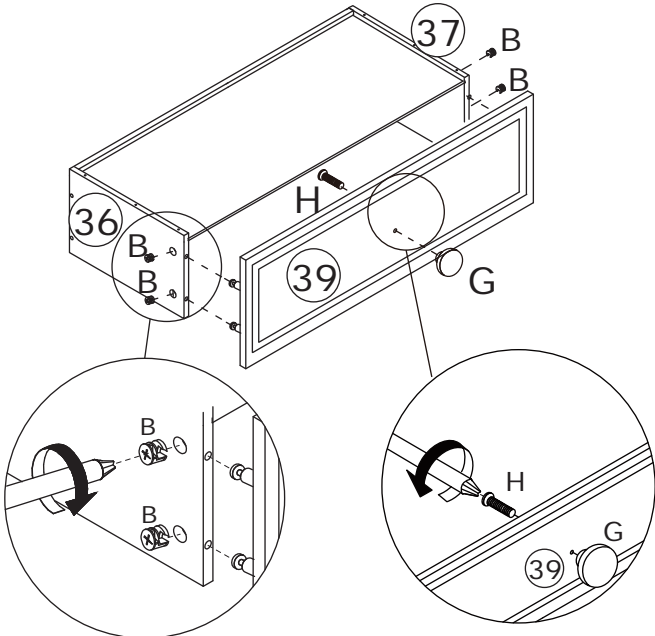
Attach board 39 to board 36,37, add cam lock(B) into board 36,37, and turn clockwise to tighten as shown.

Fix knob(G) to board 39 plate using screw(H).

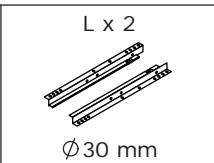
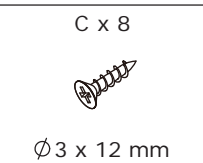


Attach board 46 to board 36,37, add cam lock(B) into board 36,37, and turn clockwise to tighten as shown.

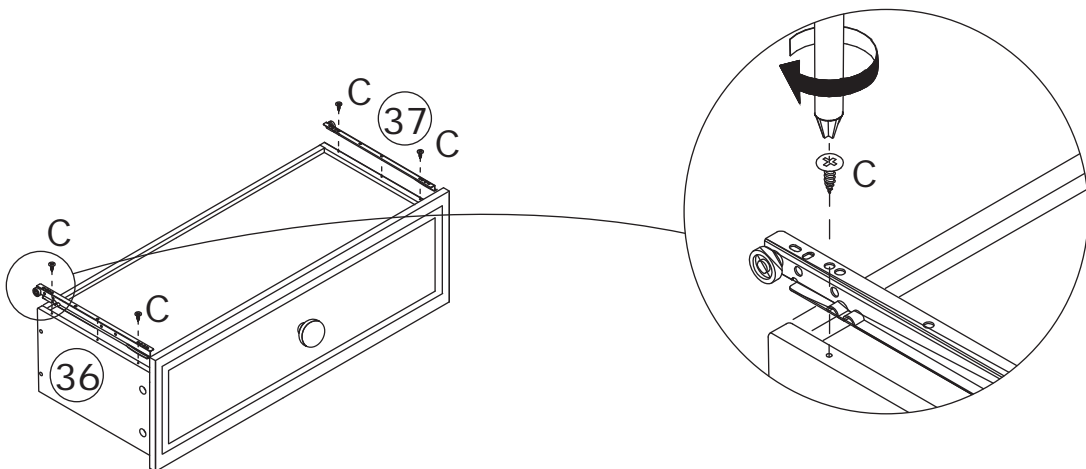
Fix knob(G) to board 46 plate using screw(H).



23



Fix rail(L) to two board 36,37 with screw(C).

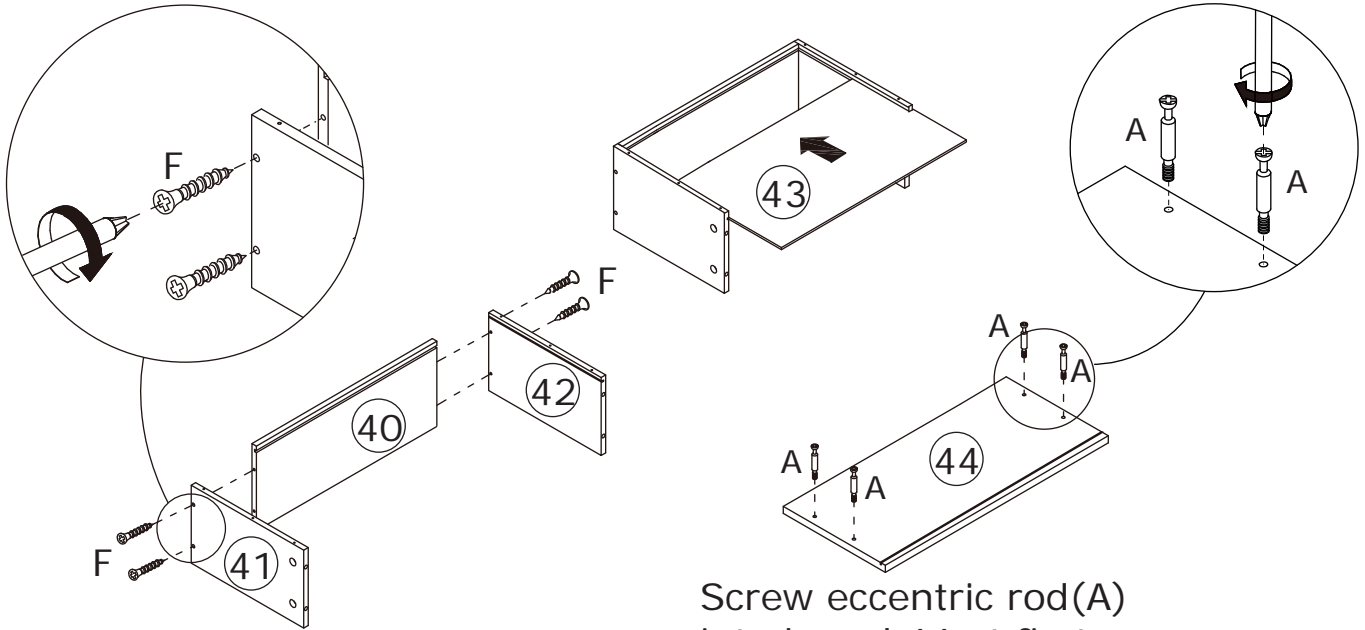
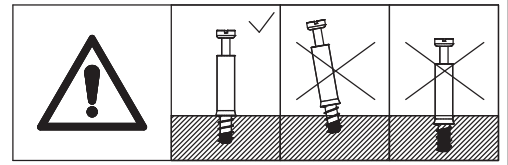


x2

24

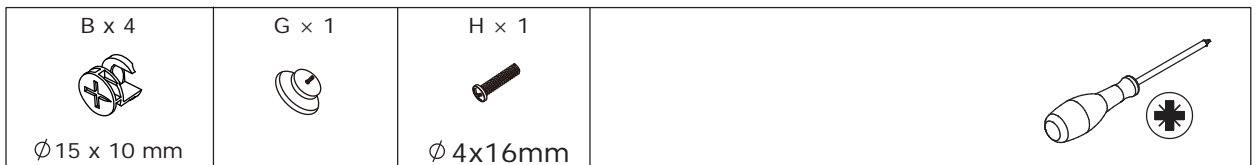


Attach board 41,42 to board 40 with screw(F).
Slide board 43 plate into available slots as shown.

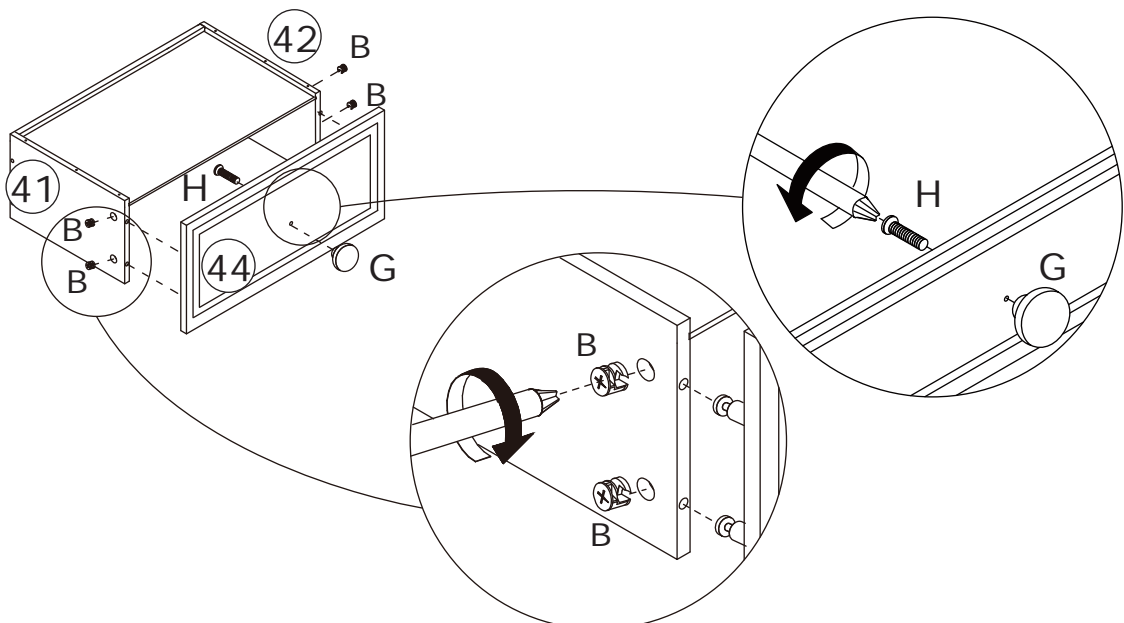
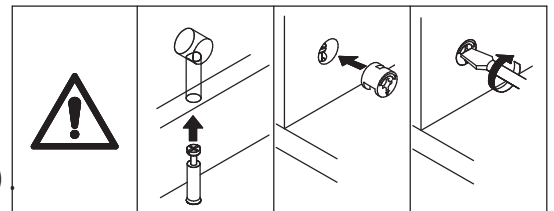


Screw eccentric rod(A)
into board 44 at first.

25



Attach board 44 to board 41,42,add cam lock(B) into board 41,42,and turn clockwise to tighten as shown.
Fix knob(G) to board 44 plate using screw(H).

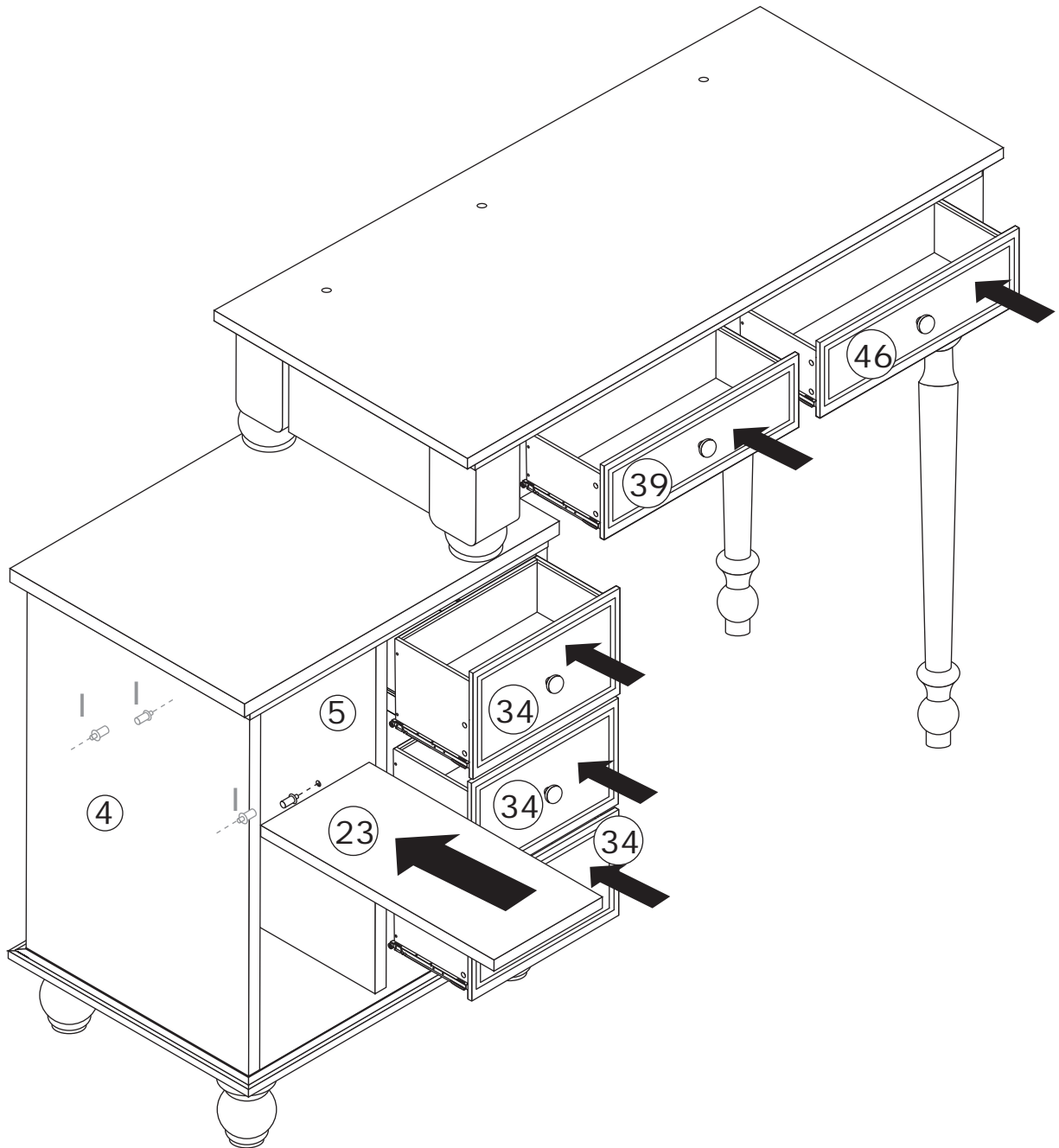


26



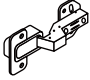

1 x 4



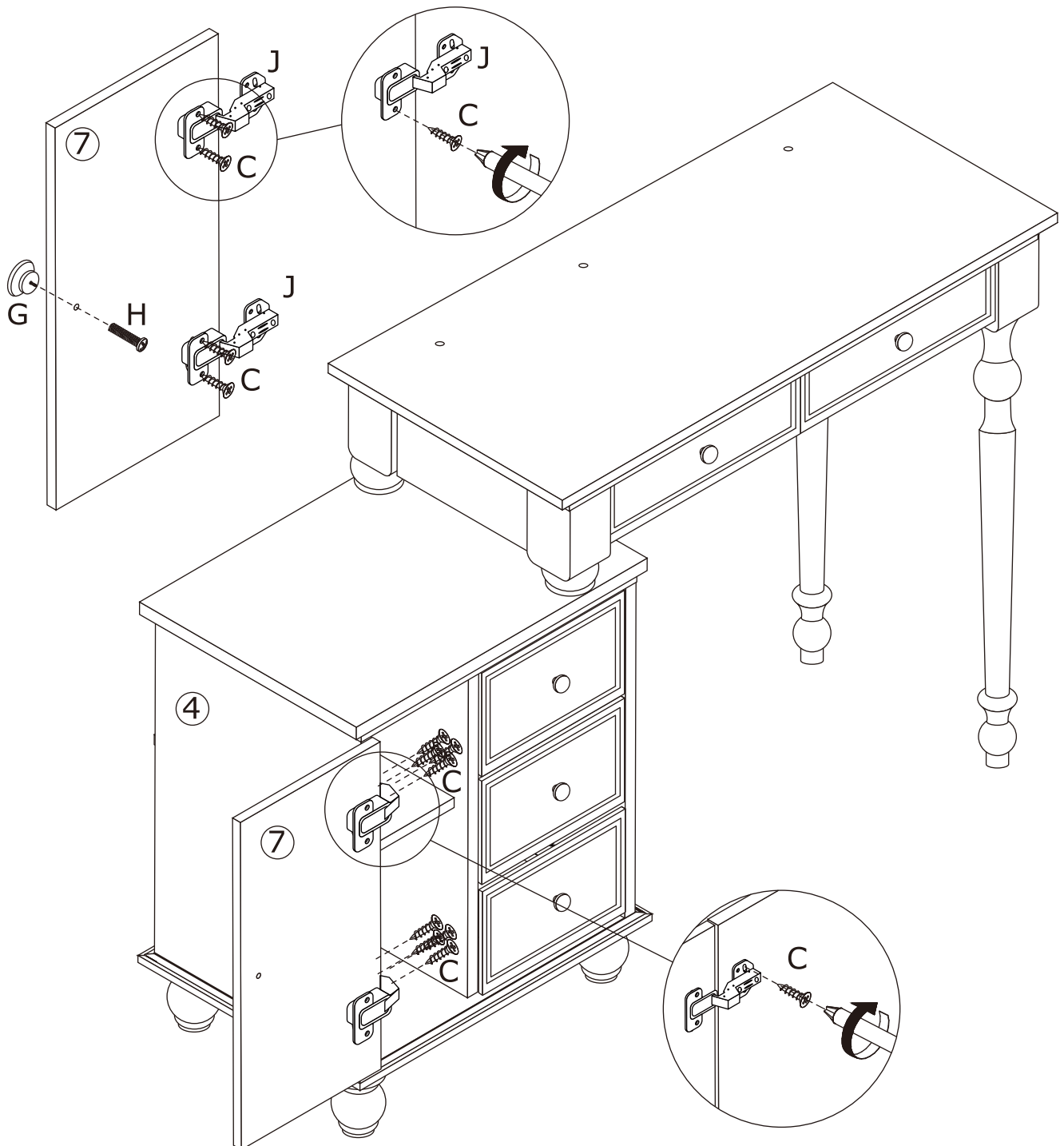
Install accessory I into board 4,5, than pot on the board 23 as shown. Align rails, slide all drawers.



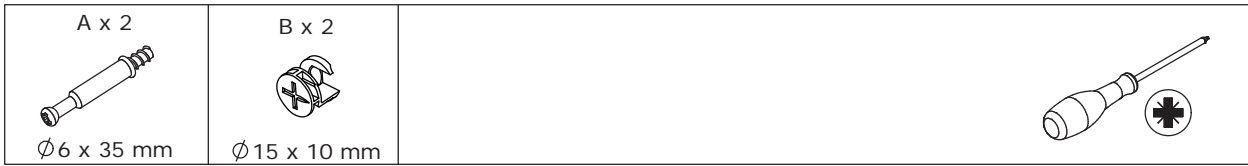
27

C x 12  Ø3 x 12 mm	H x 1  Ø4x16mm	J x 2 	G x 1 	
---	---	--	--	--

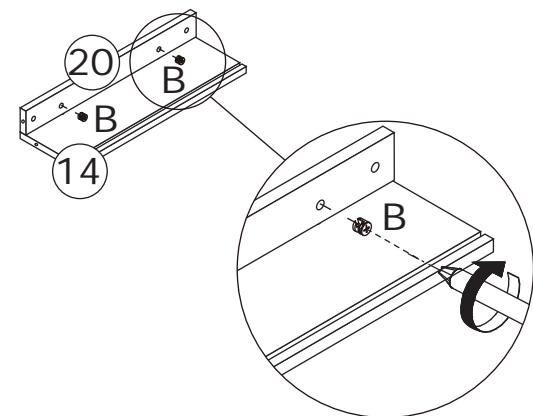
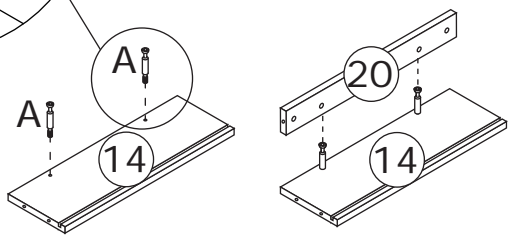
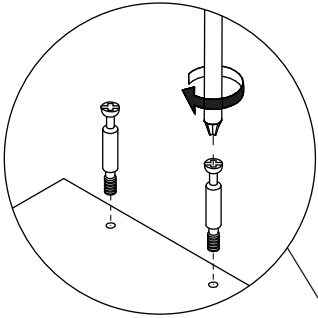
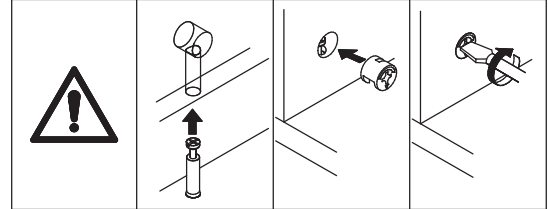
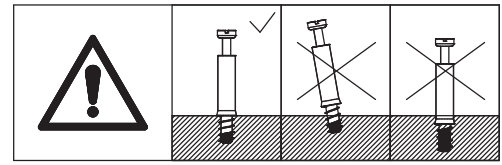
Fix hinge(J) to board 7 with screw(C), fix handle(G) with screw(H).
Attach board 7 to board 4 with screw(C).



28



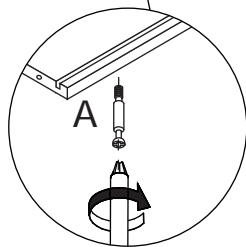
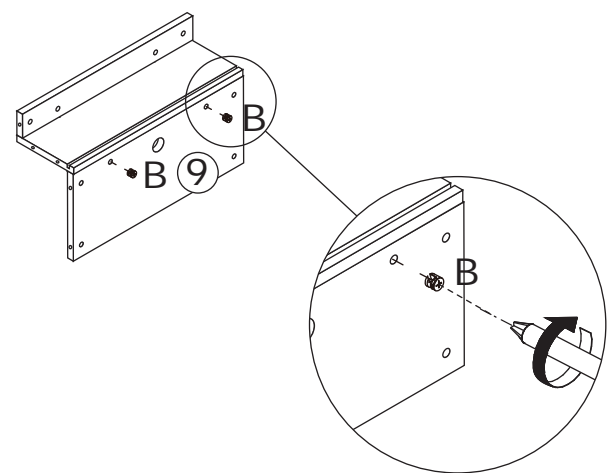
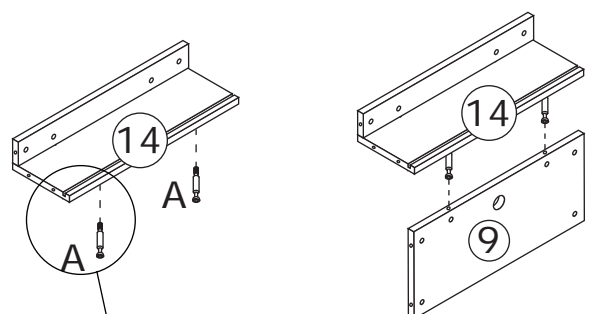
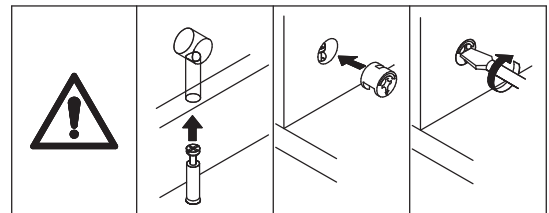
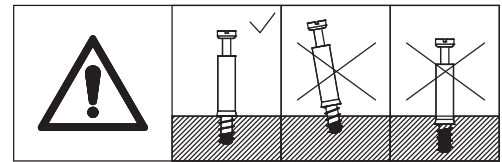
Screw eccentric rod(A) into board 14 at first. Attach board 20 to board 14, add cam lock(B) into board 20 as shown.



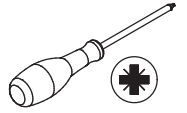
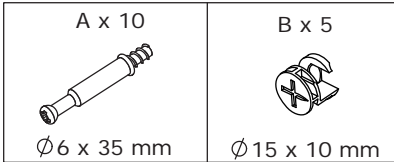
29



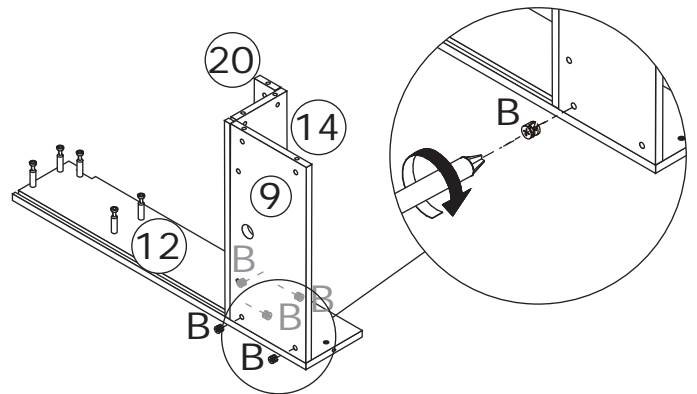
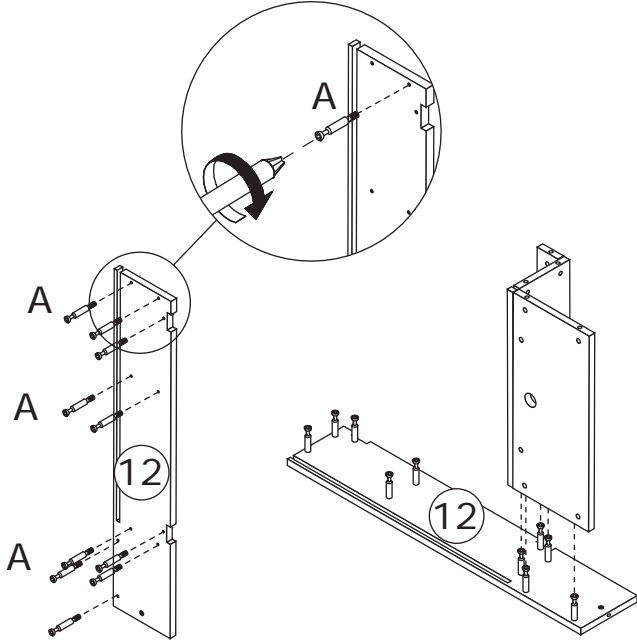
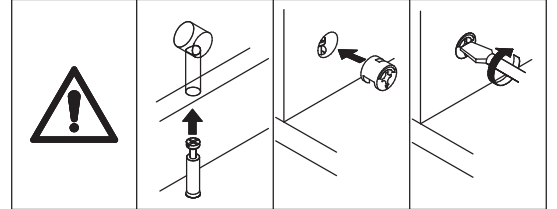
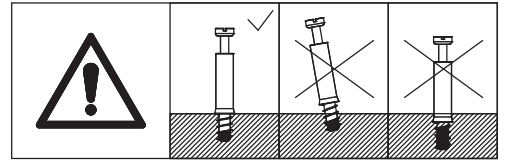
Screw eccentric rod(A) into board 14 at first. Attach board 9 to board 14, add cam lock(B) into board 9 as shown.



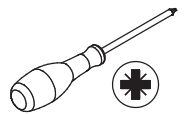
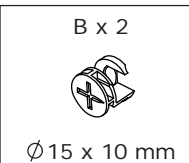
30



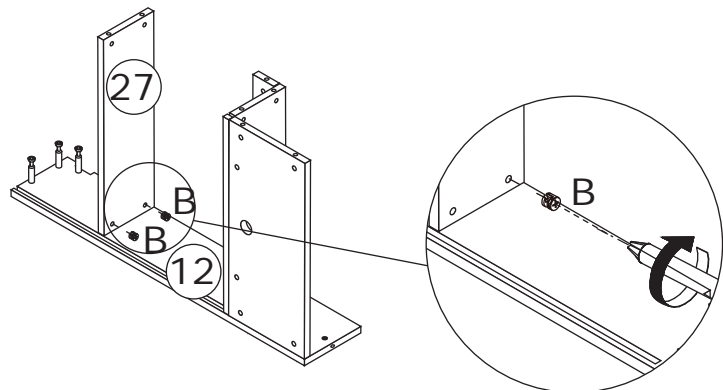
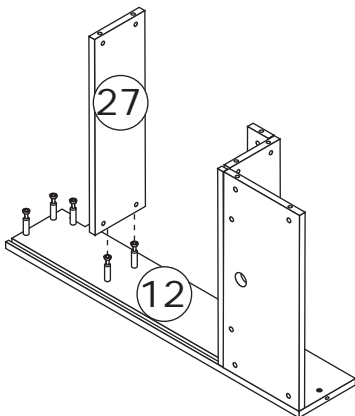
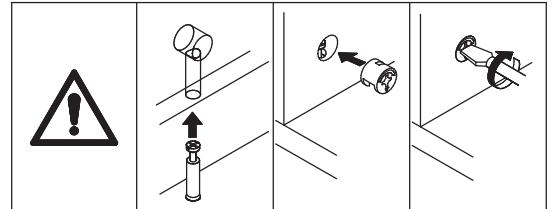
Screw eccentric rod(A) into board 12 at first. Attach board 9,14,20 to board 12, add cam lock(B) into board 9,14,20 as shown.



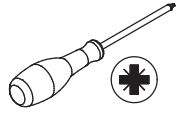
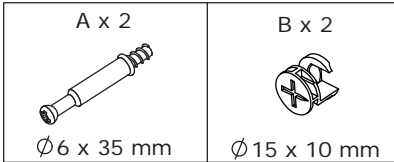
31



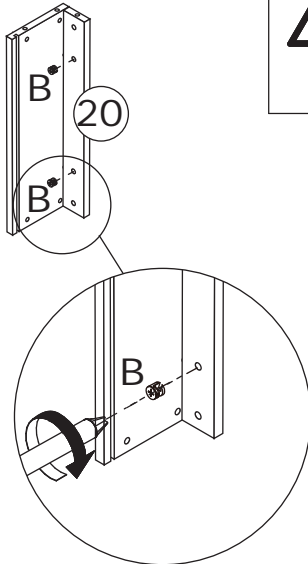
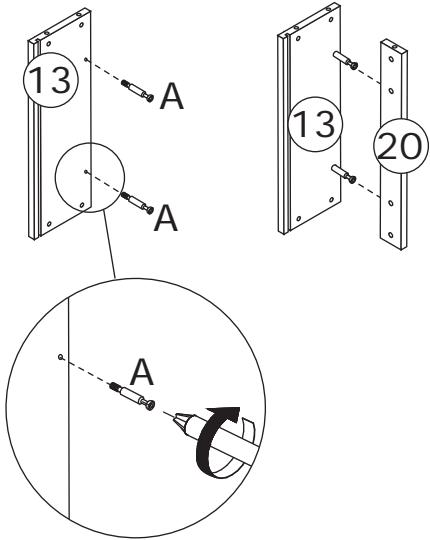
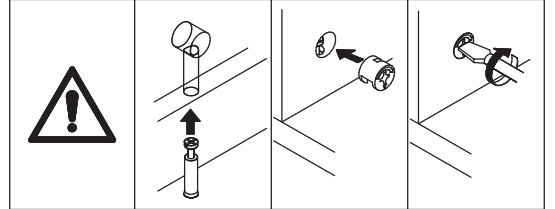
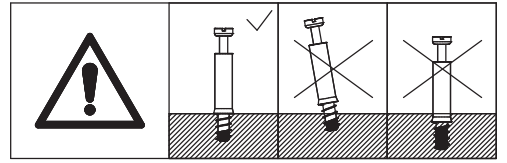
Attach board 27 to board 12, add cam lock(B) into board 27 as shown.



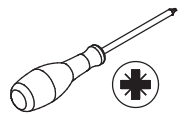
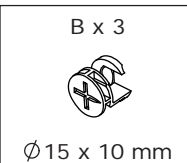
32



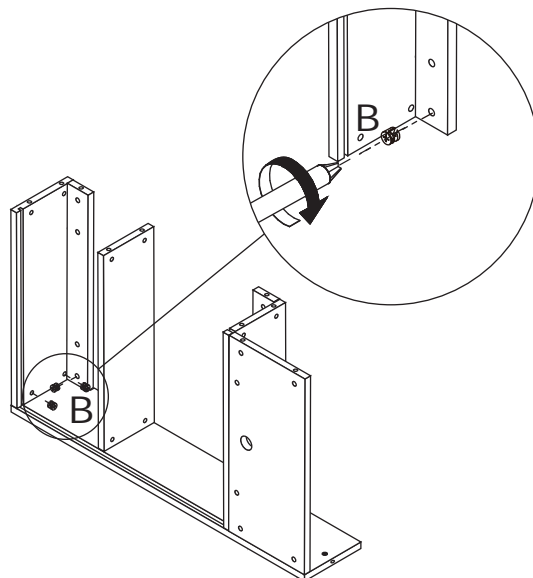
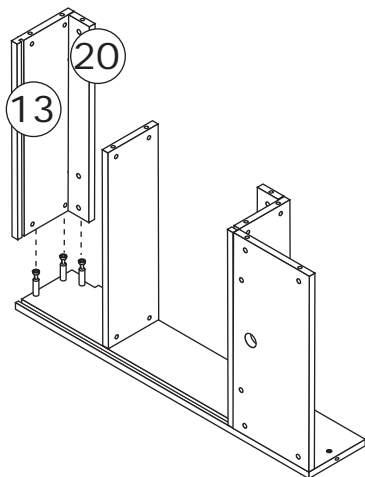
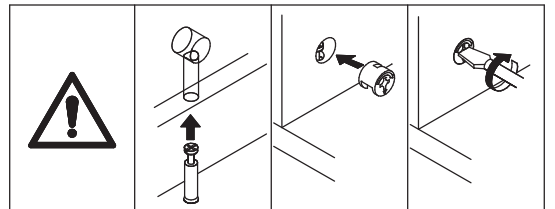
Screw eccentric rod(A) into board 13 at first. Attach board 20 to board 13, add cam lock(B) into board 20 as shown.



33

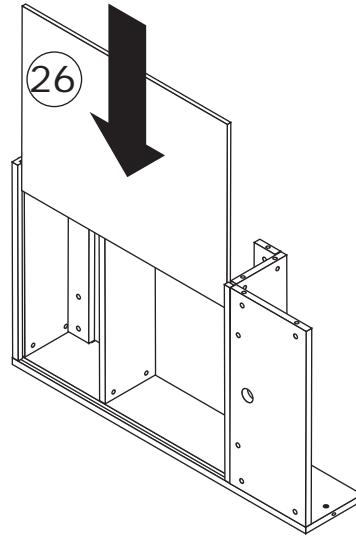


Screw eccentric rod(A) into board 13 at first. Attach board 20 to board 13, add cam lock(B) into board 20 as shown.



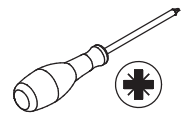
34

Insert back board 26 along available grooves as shown.

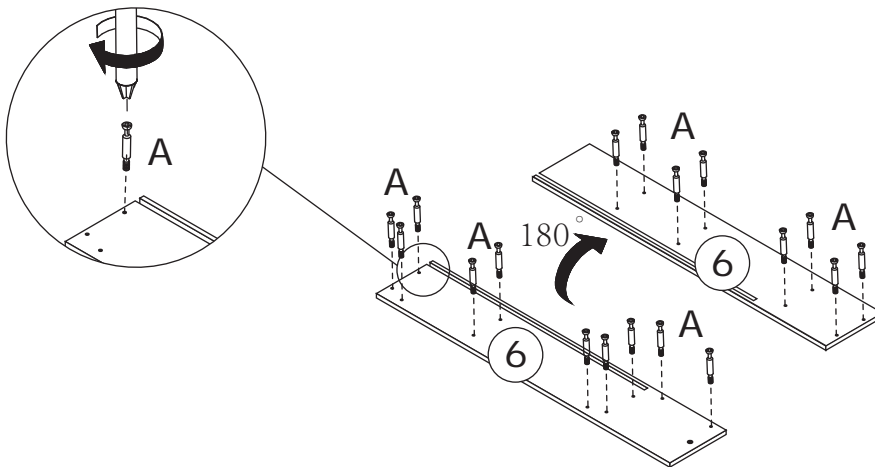
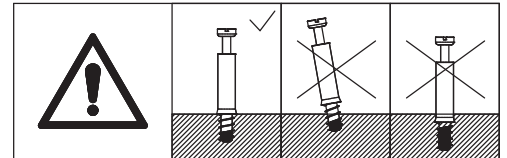


35

A x 18
Ø6 x 35 mm

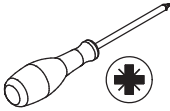


Screw eccentric rod (A) into board 6 at first.

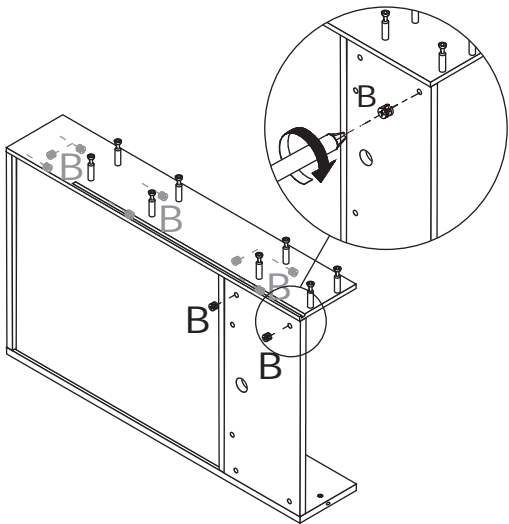
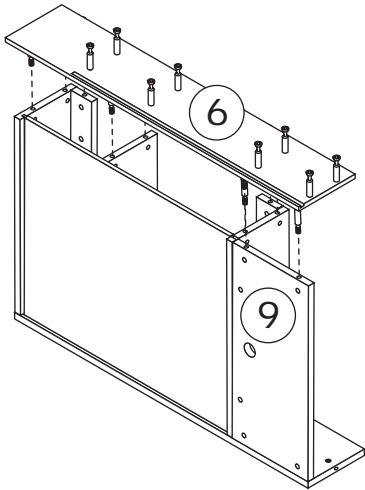
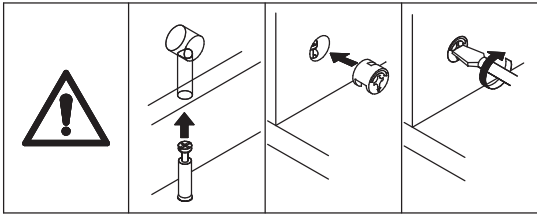


36

B x 10
Ø15 x 10 mm

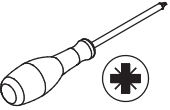


Attach board 6 to board 9,13,14,20,27,
add cam lock(B) into board 9,13,14,20,
27 as shown.

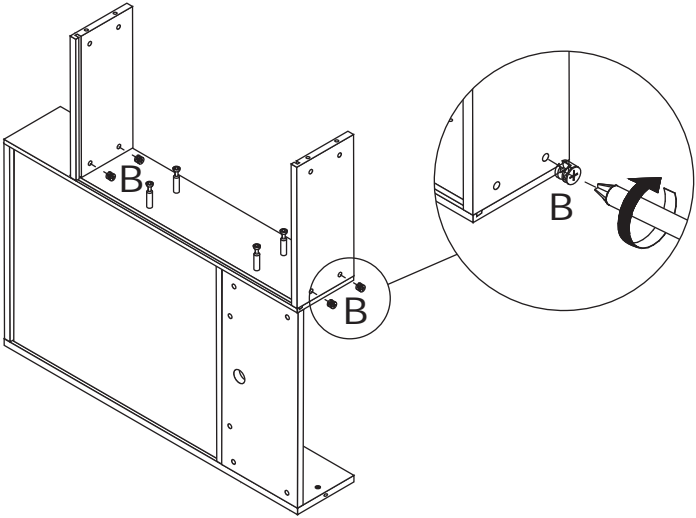
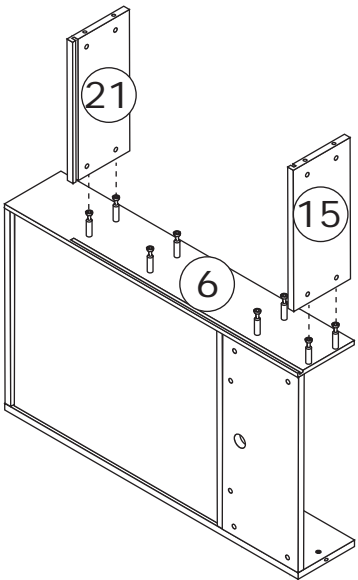
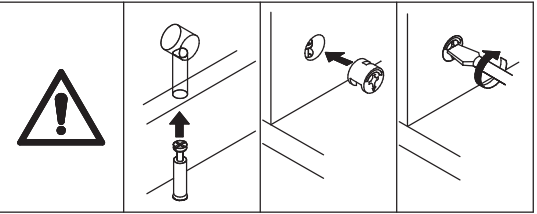


37

B x 4
Ø15 x 10 mm

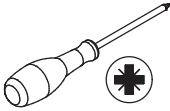


Attach board 15, 21 to board 6,
add cam lock(B) into board 15,21
as shown.

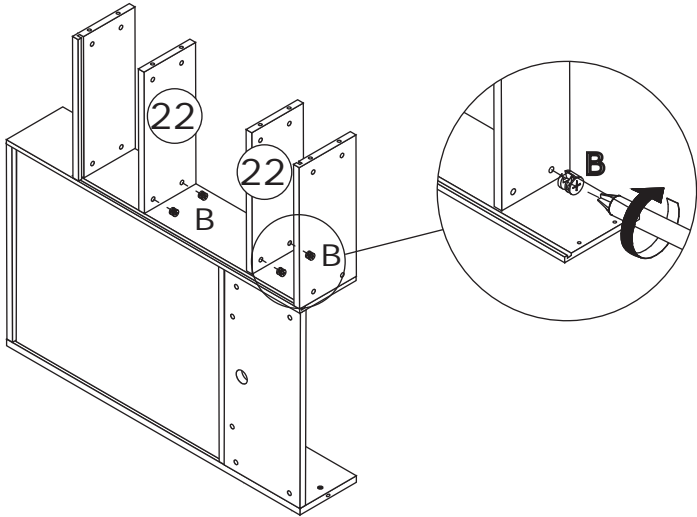
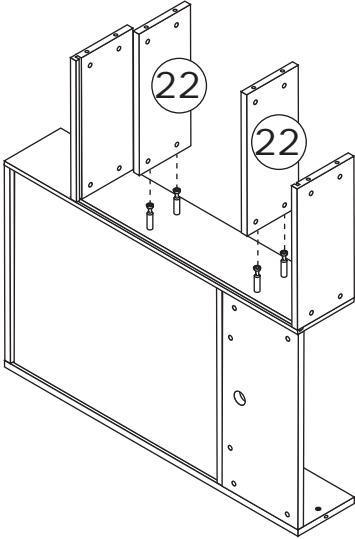
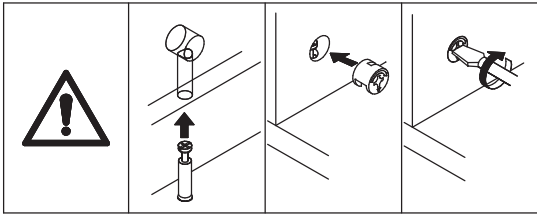


38

B x 4
Ø15 x 10 mm



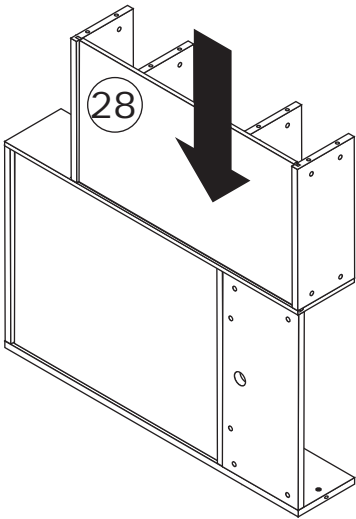
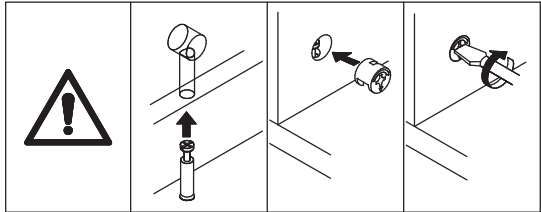
Attach board 22 to board 6, add cam lock(B) into board 22 as shown.



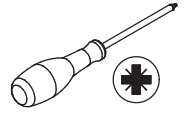
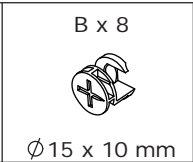
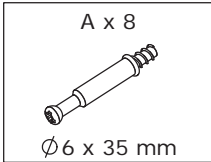
39



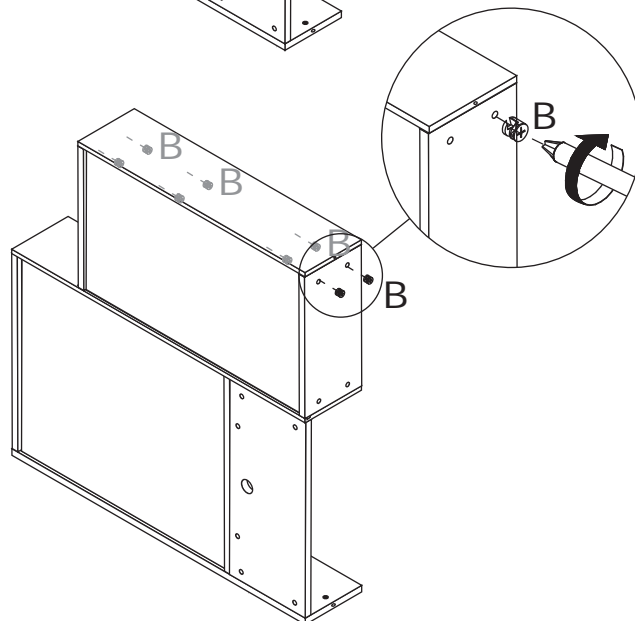
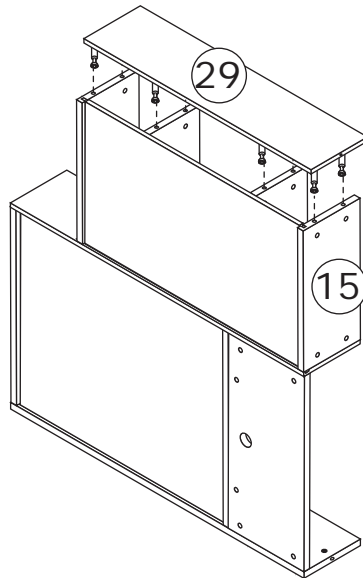
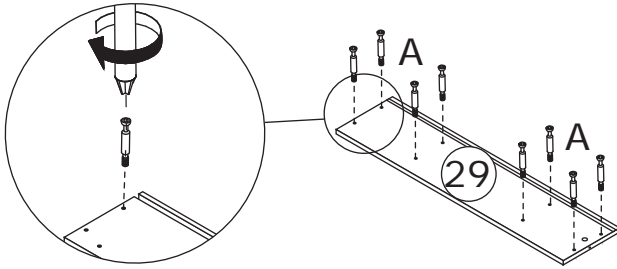
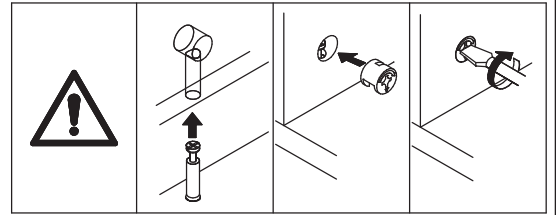
Insert back board 28 along available grooves as shown.



40

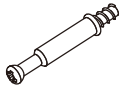


Screw eccentric rod(A) into board 29 at first. Attach board 29 to board 15,21,22, add cam lock(B) into board 15,21,22 as shown.



41

A x 3

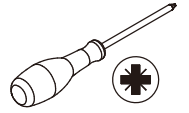


Ø6 x 35 mm

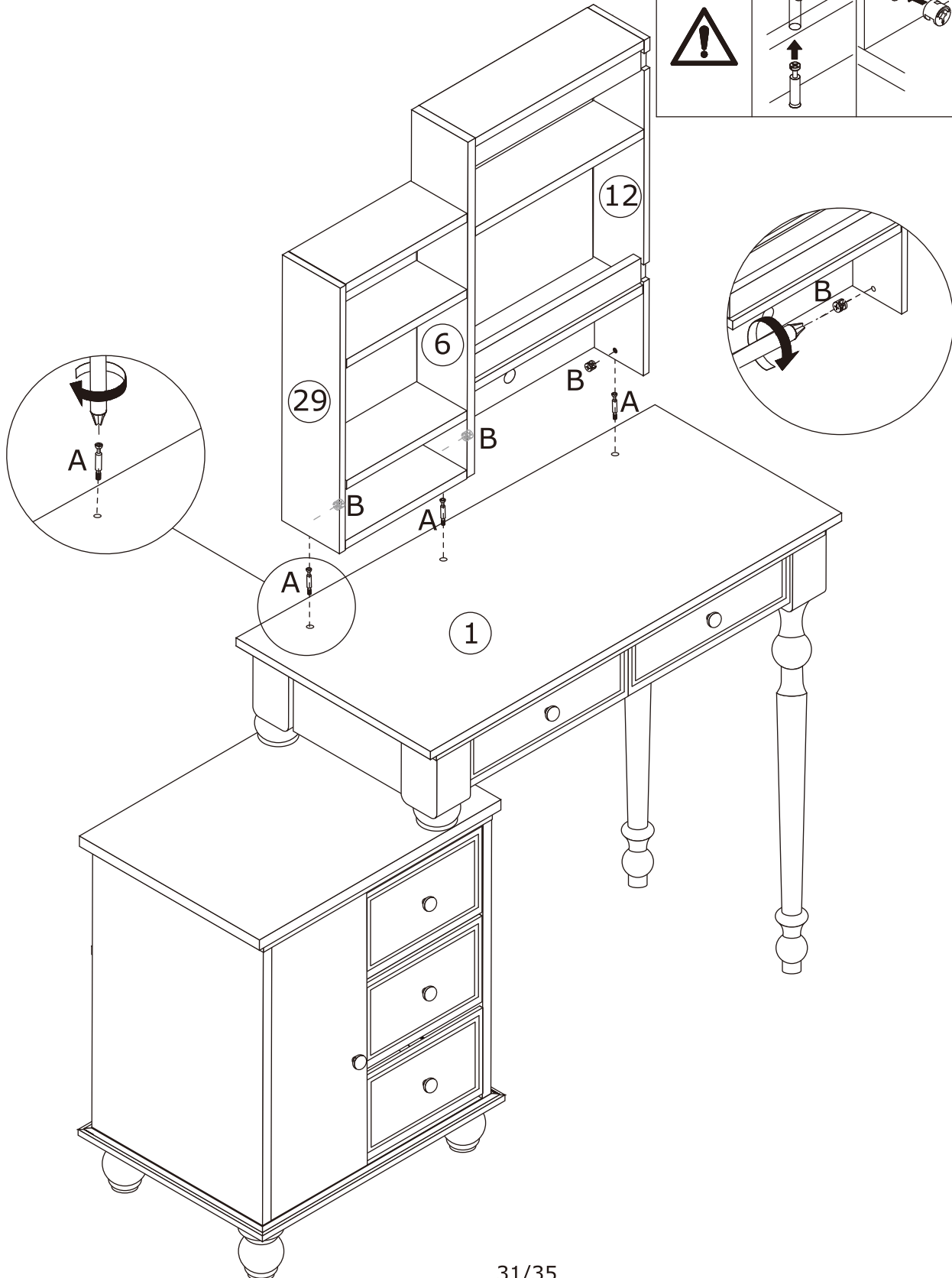
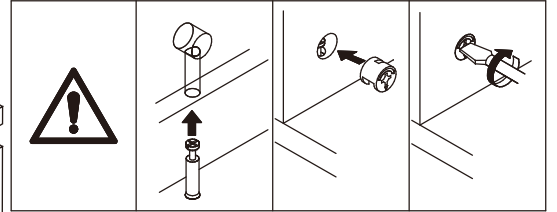
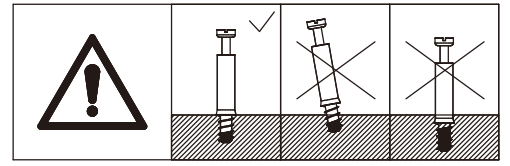
B x 3



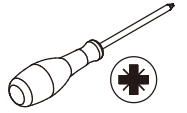
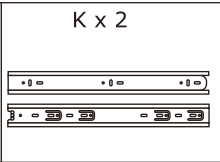
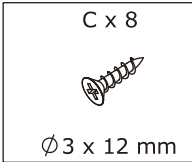
Ø15 x 10 mm



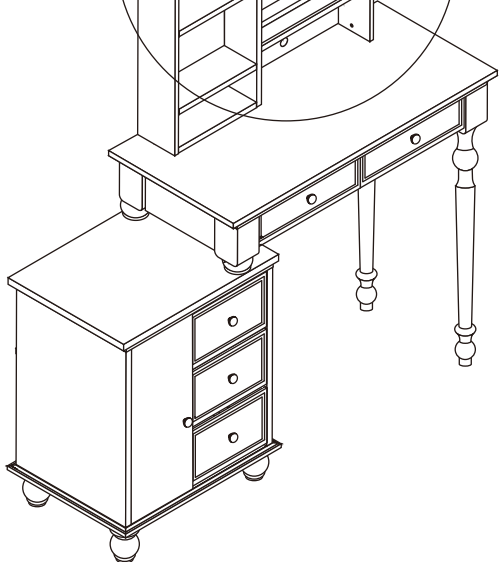
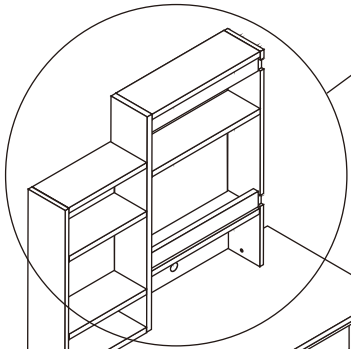
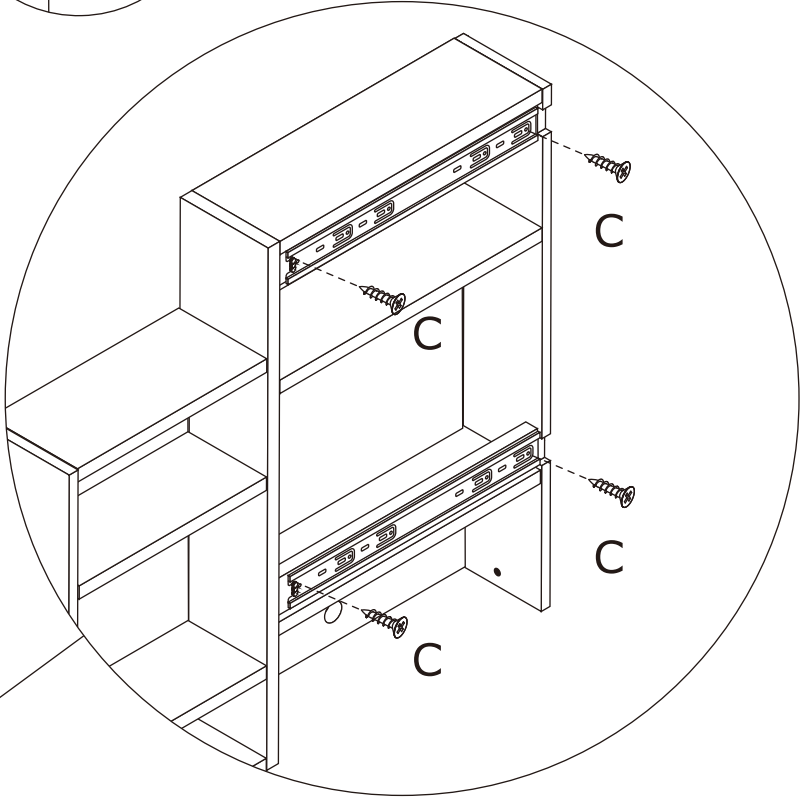
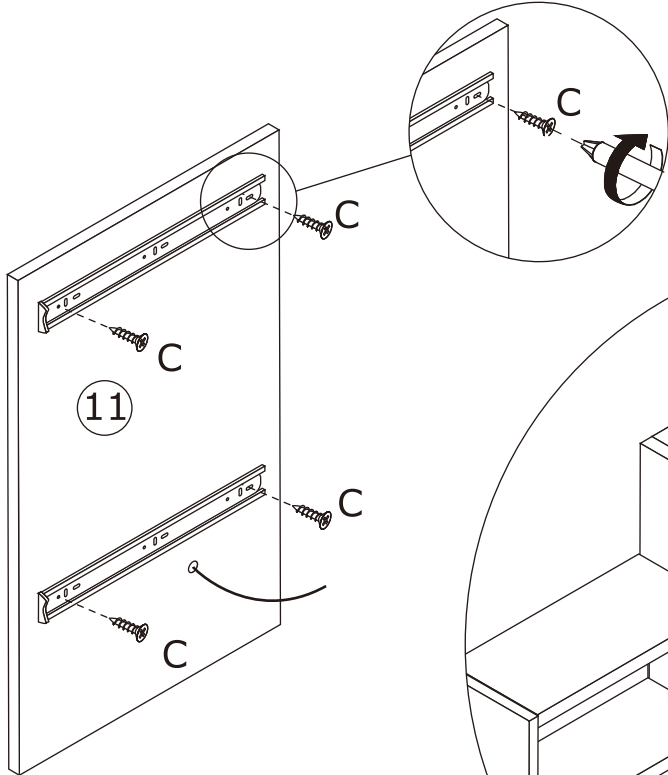
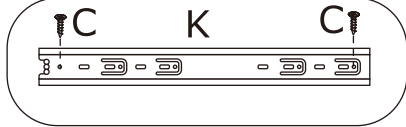
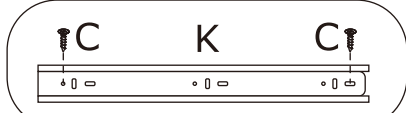
Screw eccentric rod(A) into board 1 at first. Attach board 6,12,29 to board 1, add cam lock(B) into board 6,12,29 as shown.



42

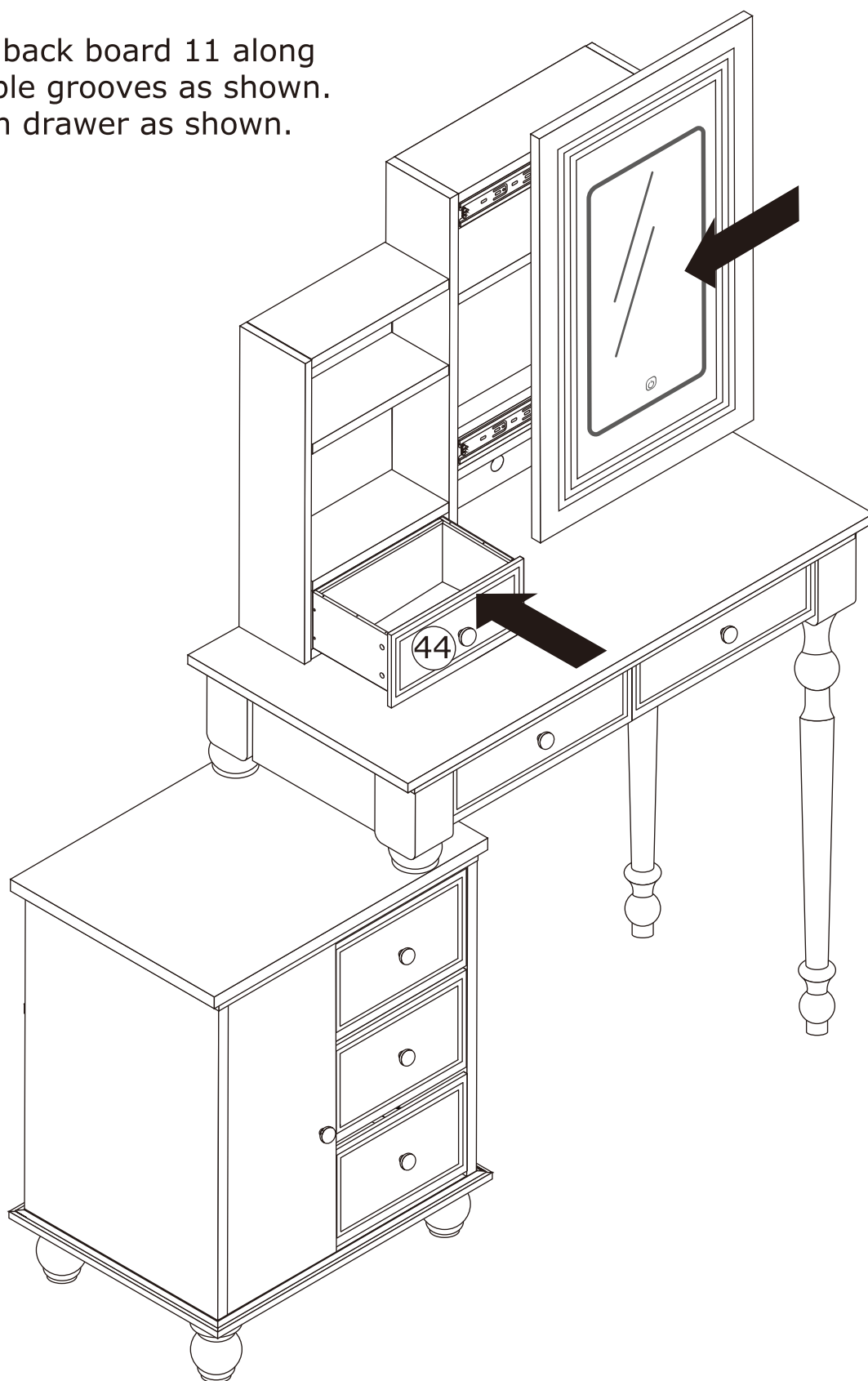


Fix rail(K) to three board 11,20 with screw(C).



43

Insert back board 11 along available grooves as shown.
Push in drawer as shown.



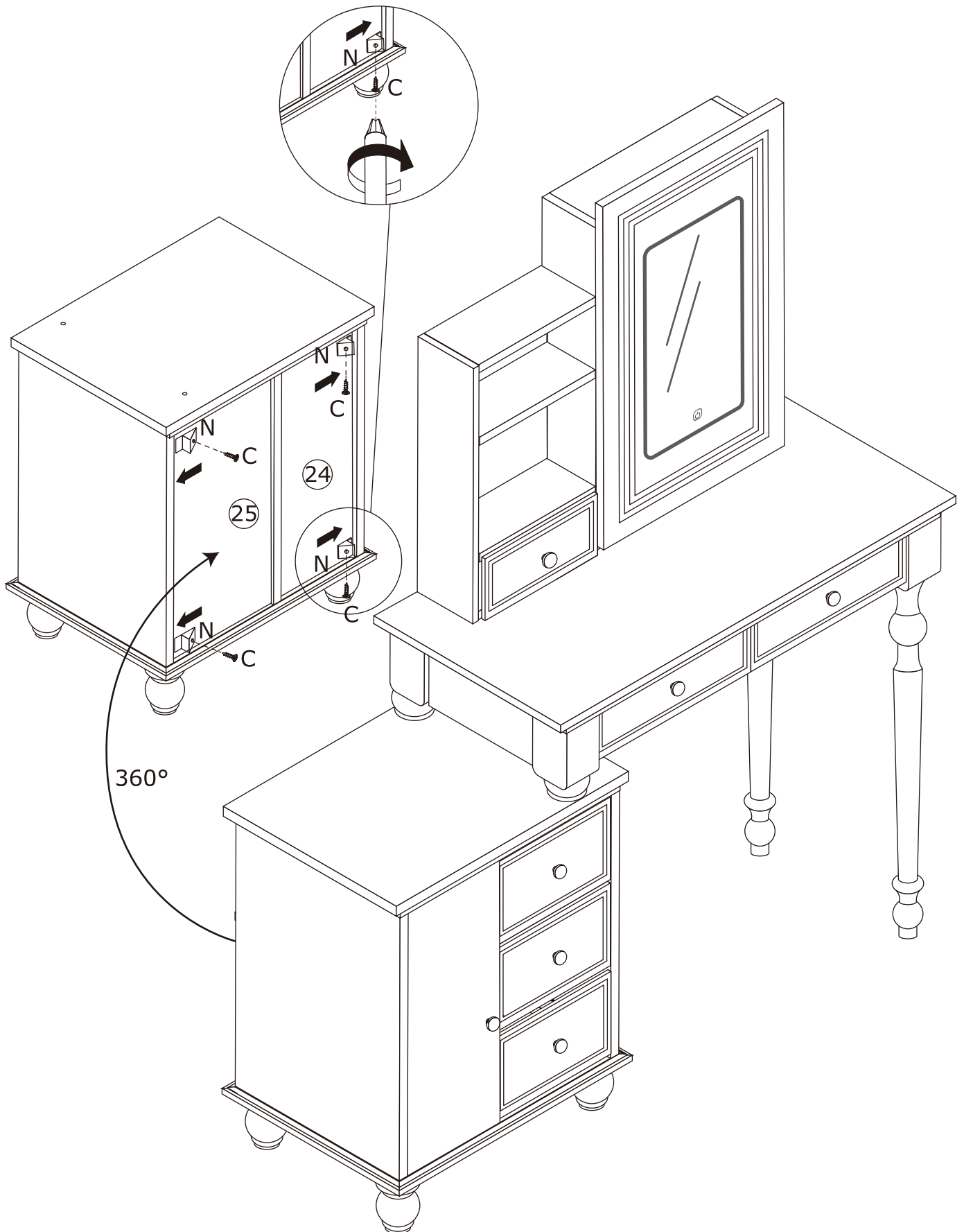
44

C x 4

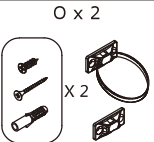
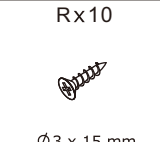
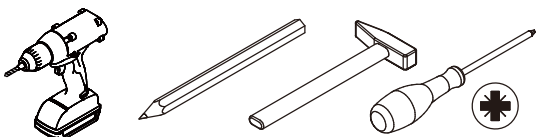


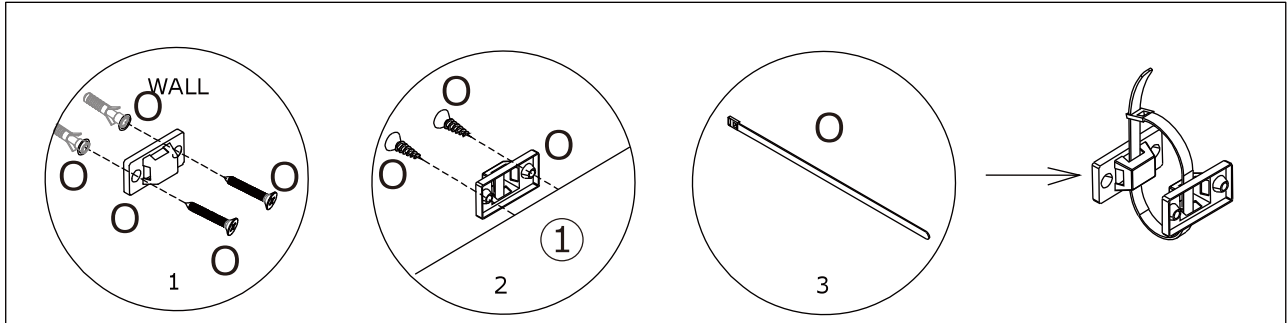
Ø3 x 12 mm

N x 4

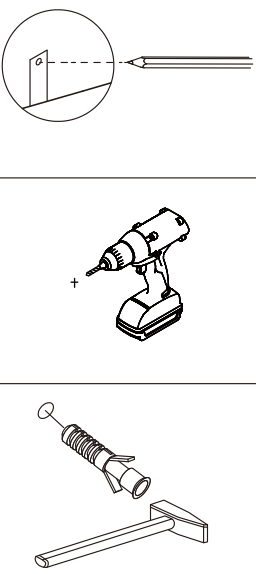
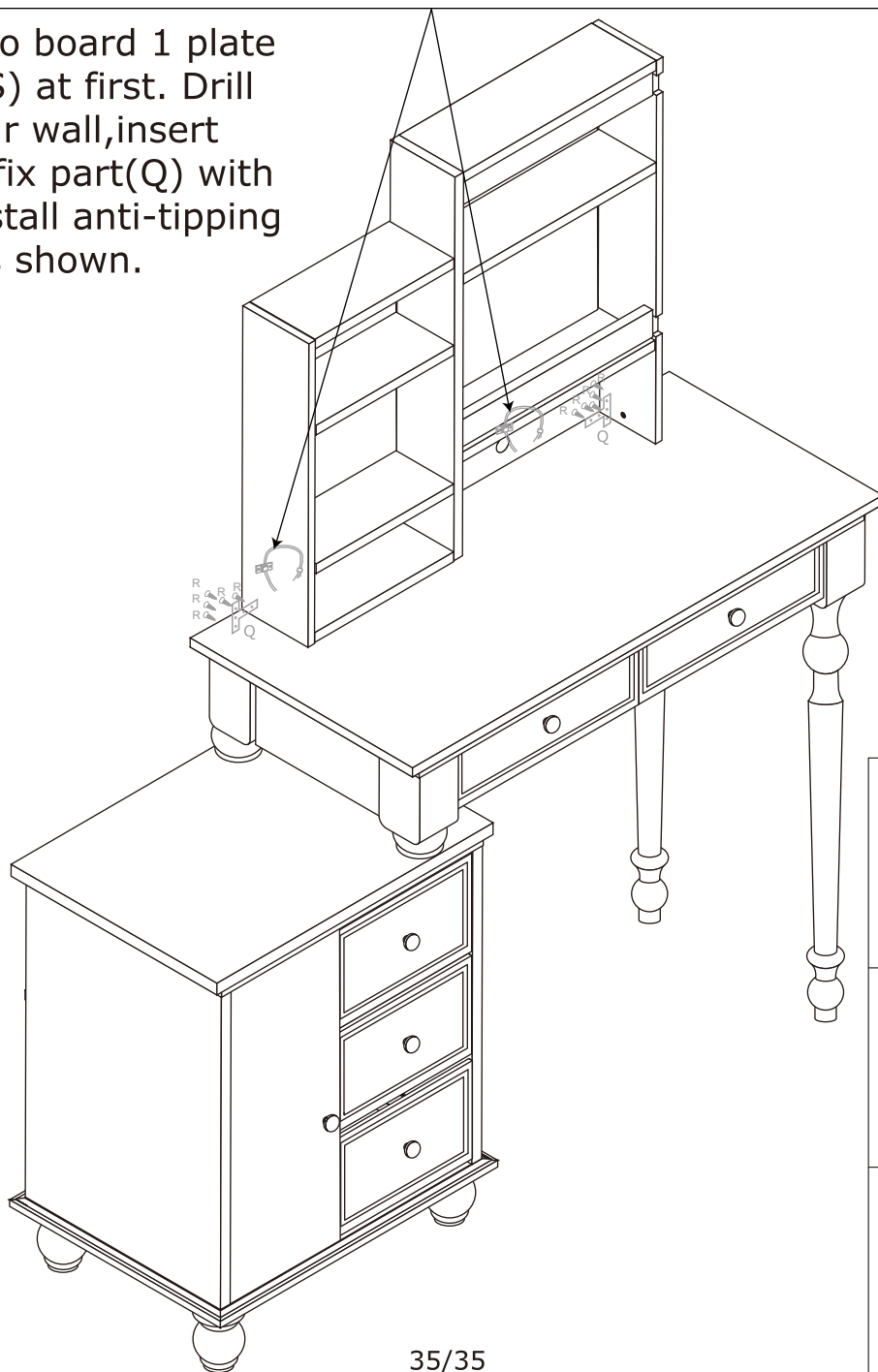


45

 <p>O x 2 X 2 R x 10 Ø 3 x 15 mm</p>	 <p>Q x 2</p>		
--	---	--	--



Fix part(Q) to board 1 plate with screw(S) at first. Drill holes on your wall, insert part(P) and fix part(Q) with screw(R). Install anti-tipping device(O) as shown.



WARRANTY

WARRANTY CLAIMS

- There is a 30-day warranty for broken furniture or any other problems that do not work properly. The warranty will start from the date of purchase which must be verified by proof of purchase.
- Before making a claim, we may be able to answer your query, simply call us. Please leave your purchase order number, along with some details of the problem, if you want a replacement part. We will arrange within 48 hours. If there is out of stock, we will reply with a shipping date.
- The product must be used in accordance with the instructions provided. For health reasons.
- For other reasons, if the furniture needs to be returned, it must be cleaned and dried and operated within 30 days of receipt.

Type of Warranty Claim

- Failure to follow the furniture instructions will invalidate the warranty. Attention please.
- Does not include damage during installation, but includes damage during transportation.

Scope of responsibility

- Shall not bear any responsibility for misuse or user damage and / or loss of parts during the installation of furniture.
- After using, the damage and scratches of the furniture are not covered by the warranty.

The Warranty Relates to All Bought in The Us and Covers The Following Areas

- Sheet parts: 1 month from the date of purchase.
- Electrical parts: 1 month from the date of purchase.