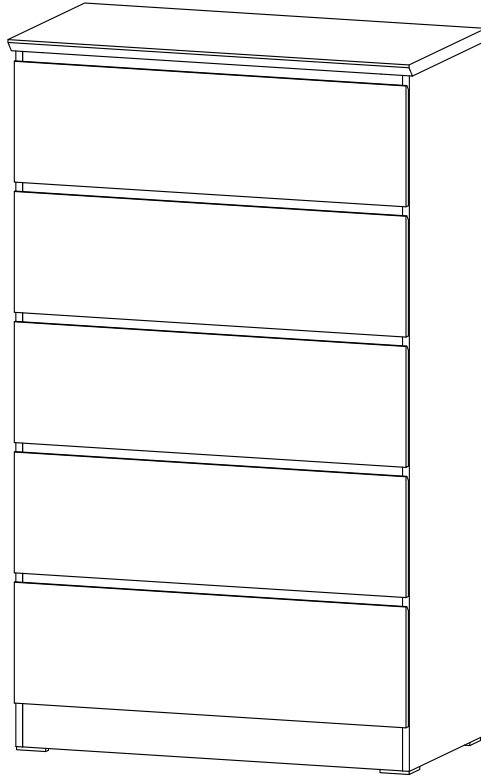




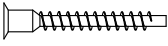

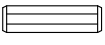
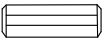

# WP FURNITURE / INSTRUCTIONS



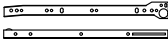



Model# 1489 ( LD 5 )

Need Assistance? - 315-7580-751 - Text

email: lori@shopwp.com



HARDWARE ITEM			QTY
A2		Screw m3.5 x 14mm	94 pcs
A10		Screw m4 x 38mm	20 pcs
A17		Crosshead Screw m6.3 x 40mm	18 pcs
A34		Euro Screw m5 x 8mm	20 pcs
D4		Wood Dowel 6 x 25mm	20 pcs
D6		Wood Dowel 8 x 25mm	22 pcs
E21		Anti Tipping Pack	2 Sets

F2		Mini Fix 15mm	24 Sets
L2		Plastic Leg L Shape	4 pcs
M7		Drawer Metal Slide 400mm	5 Sets
N1		Allen Key	1 pc
R2		Single Plastic Cap	44 pcs
Y		Crosshead Cover	18 pcs

**\* Extra screw for your commitment.**

**\* Please assemble flat or nice service.**

# **"Congratulations on Your Recent Purchase! Here Are Some Tips Before You Begin Assembling:"**

"Preparing for your exciting new purchase? Be sure to set yourself up for a smooth assembly process by following these steps:"

- First, we recommend using a rug or any large clean surface as your workspace to provide a sturdy base for assembly.
- Next, it is important to separate all components and identify each part by their designated letters. This will make it easier to follow the assembly instructions and ensure all pieces are placed correctly.
- Additionally, on a clean surface separate and identify all screws lengths and hardware. You can use the assembly instructions as a guide and place the screws on top of the actual size pictured. This will save you time and confusion during the assembly process.
- Finally, we highly encourage you to carefully read through the assembly instructions and start from step one. Follow each step diligently until your new purchase is fully assembled. However, if you have any questions or need further assistance, please do not hesitate to reach out to us via email.

**Thank you again for choosing our product.  
We wish you all the best and happy assembling!**

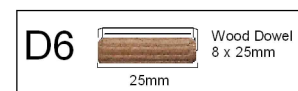
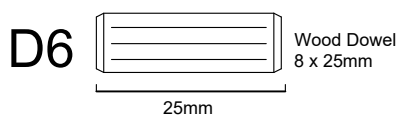
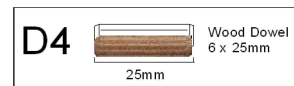
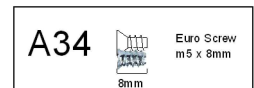
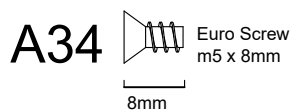
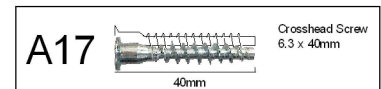
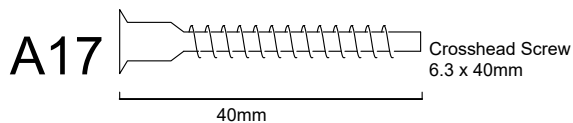
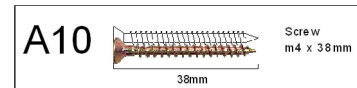
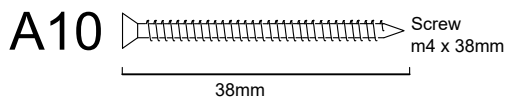
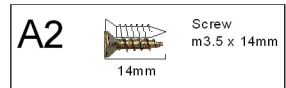
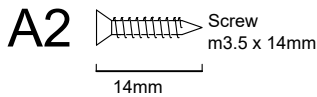
# WP FURNITURE / INSTRUCTIONS

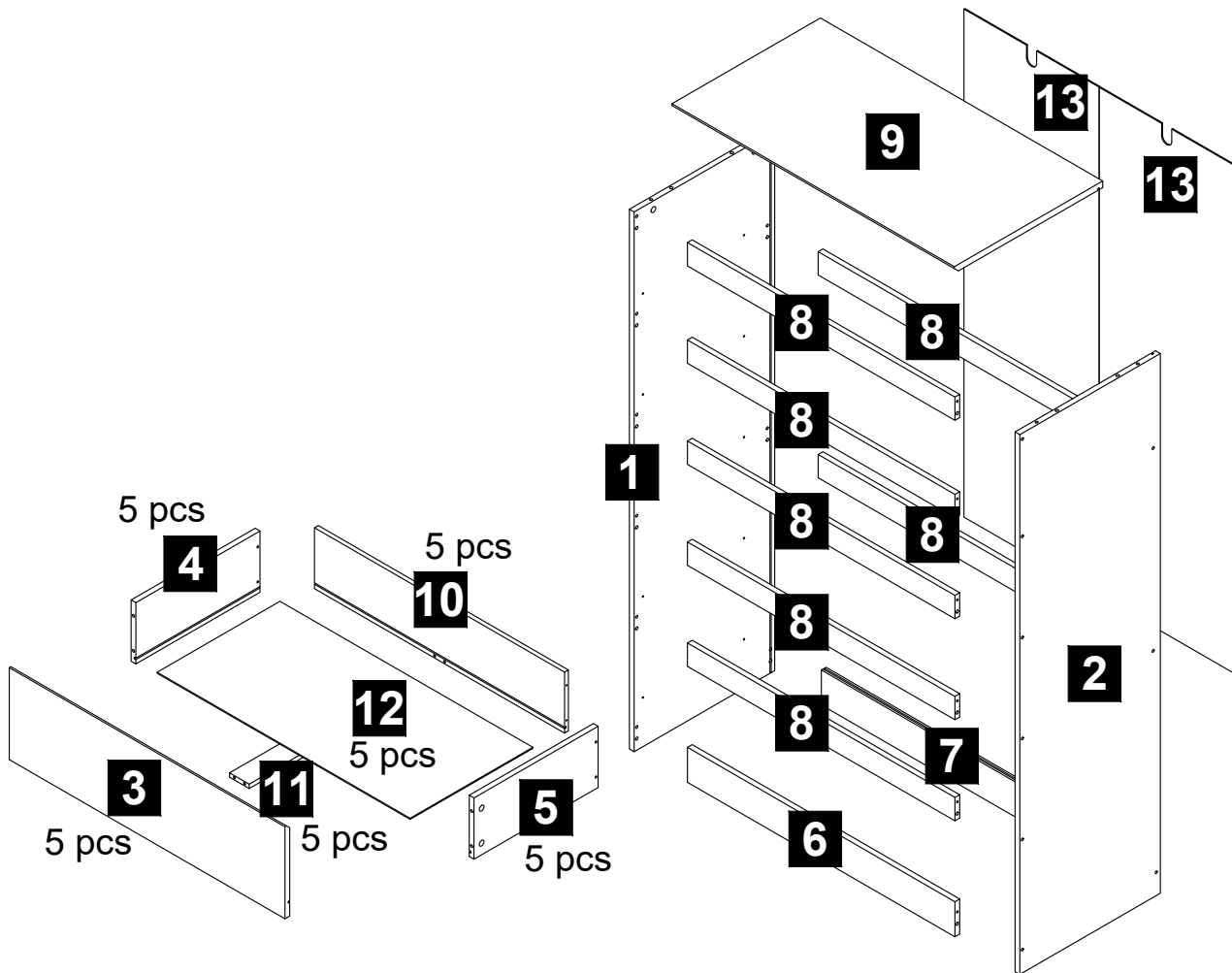
Model# 1489 ( LD 5 )

Need Assistance? - 315-7580-751 - Text

email: lori@shopwp.com

**Place your screw on top of the scale to identify their size.**





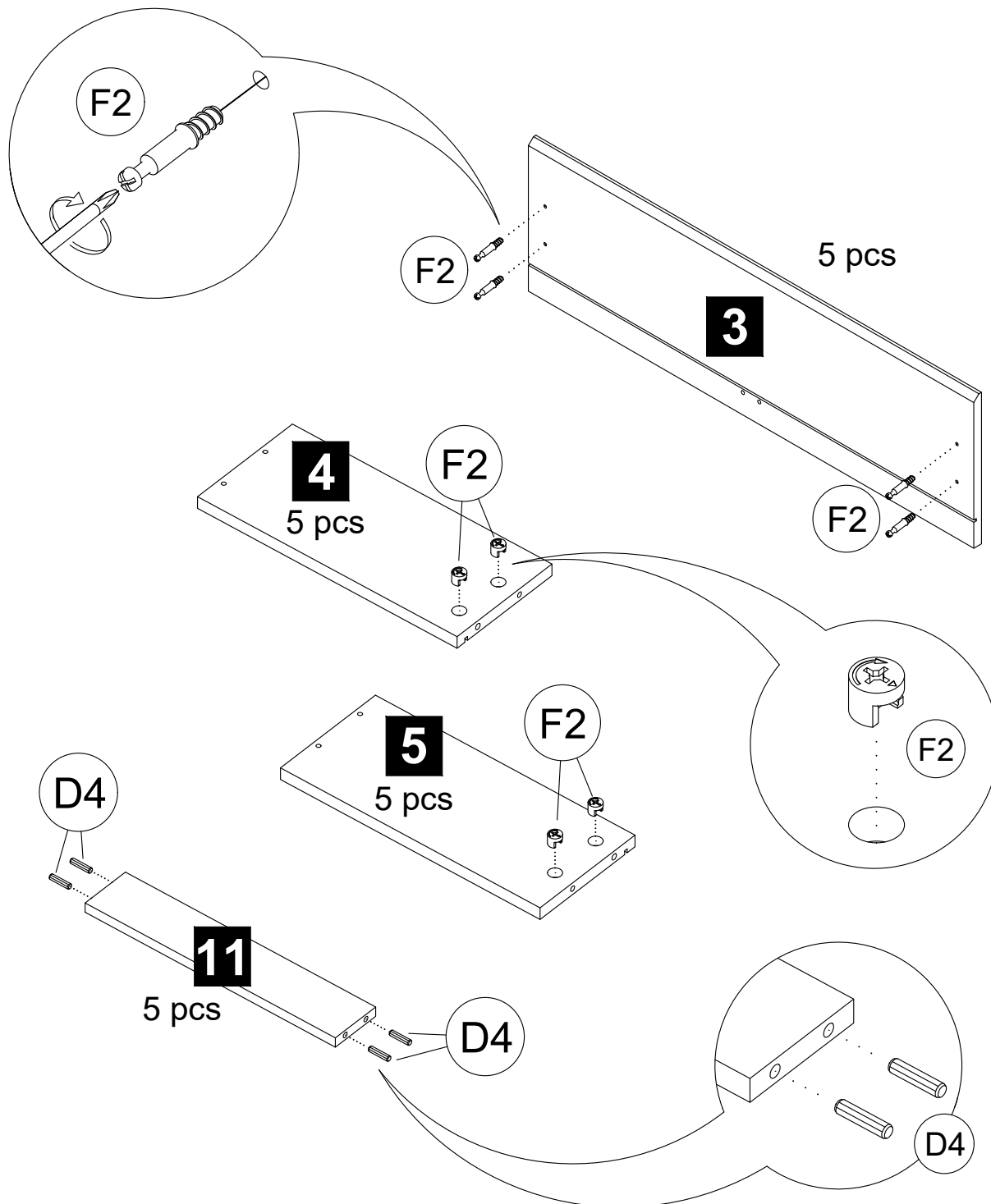
Parts List		
1	Side Panel (L)	1 pc
2	Side Panel (R)	1 pc
3	Drawer Front Panel	5 pcs
4	Drawer Side Panel (L)	5 pcs
5	Drawer Side Panel (R)	5 pcs
6	Bottom Crossbar	1 pc
7	Lower Crossbar	1 pc
8	Small Crossbar	7 pcs
9	Top Panel	1 pc
10	Drawer Backboard	5 pcs
11	Drawer Crossbar	5 pcs
12	Drawer Bottom Panel	5 pcs
13	Backboard	2 pcs

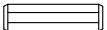


**\*EACH PART IS LABELLED ACCORDING TO THE PARTS LIST\***



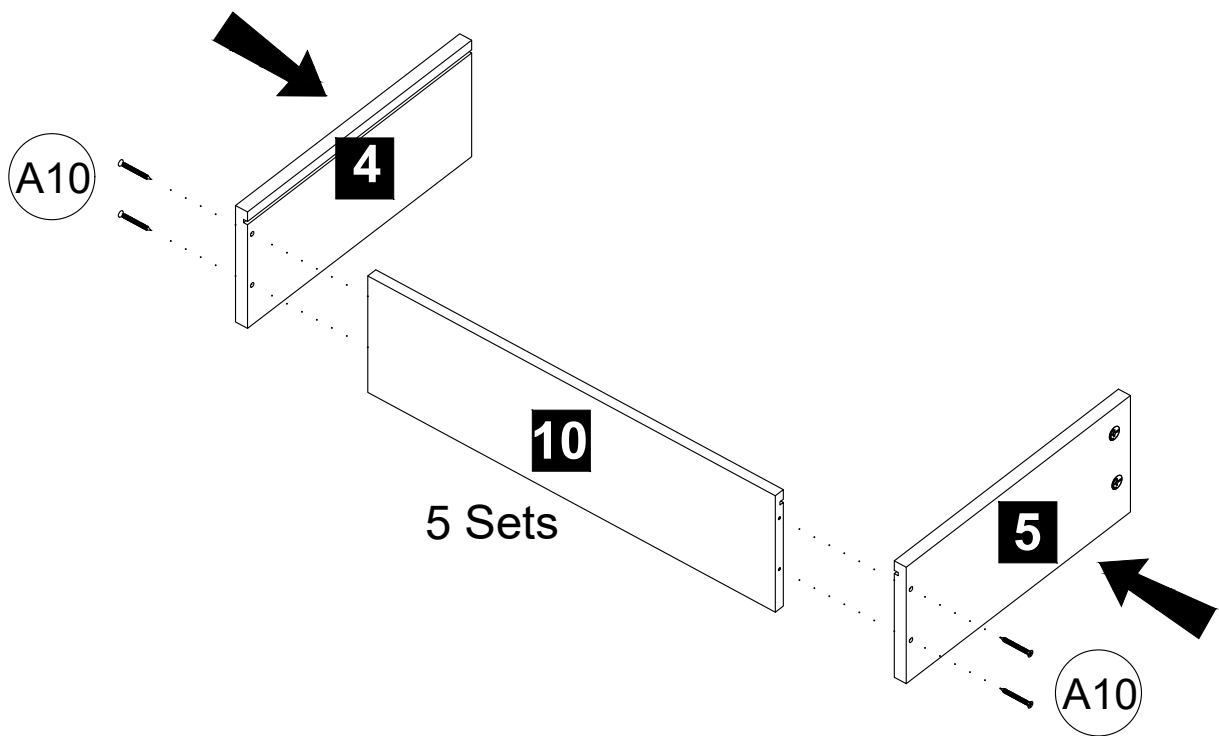
Before starting assembly  
please verify if all parts and  
hardware are included


# STEP 1



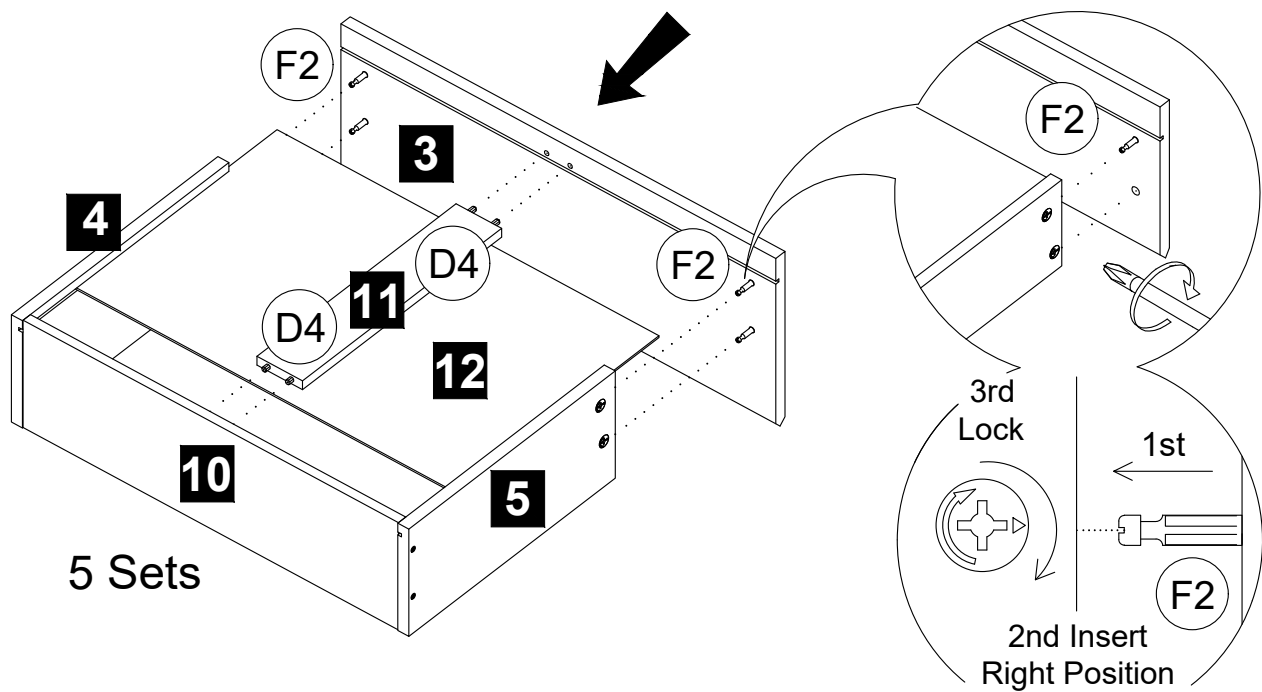
D4		Wood Dowel 6 x 25mm	20 pcs
F2		Mini Fix Bolt	20 pcs
F2		Mini Fix Cam	20 pcs

# STEP 2



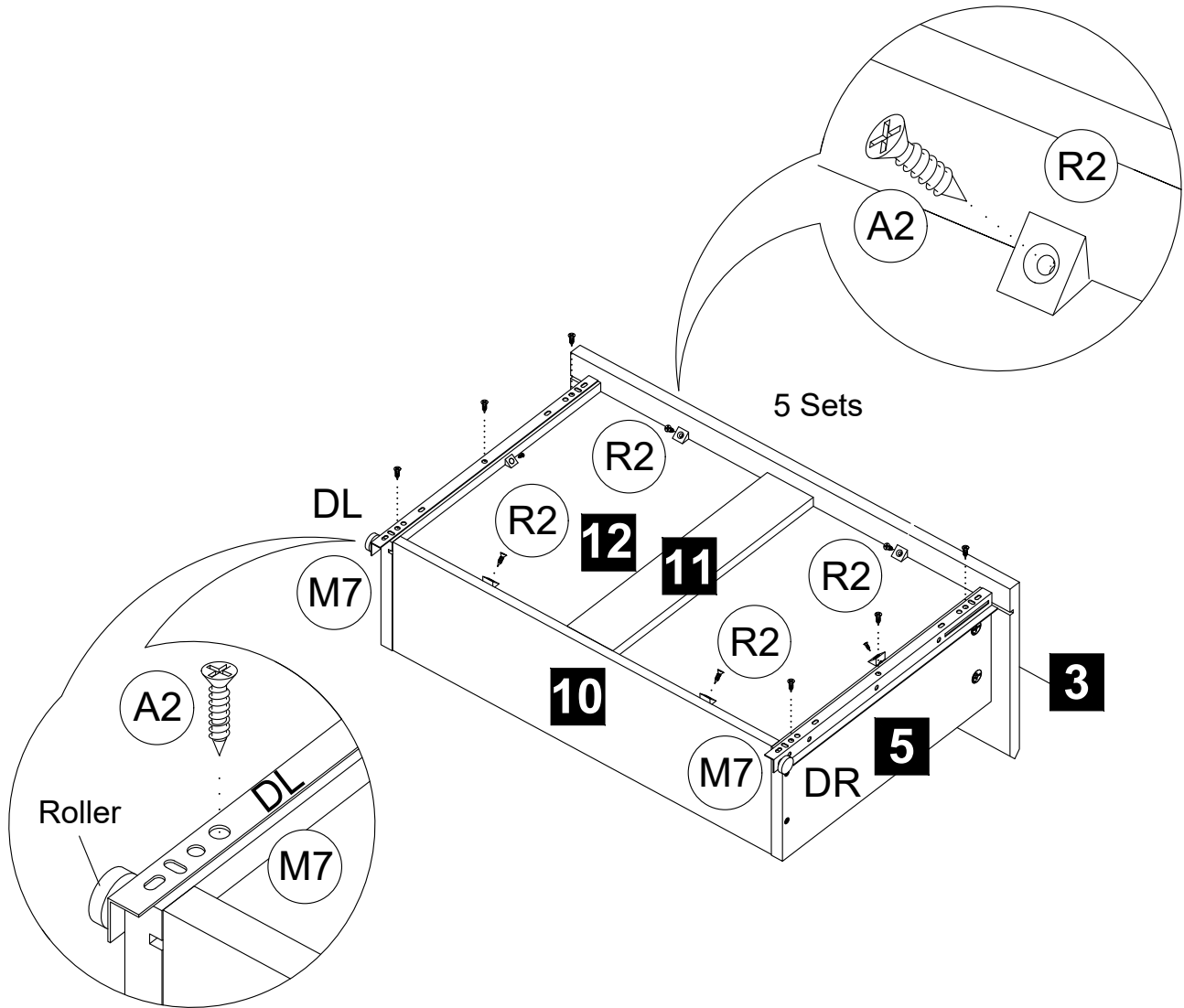
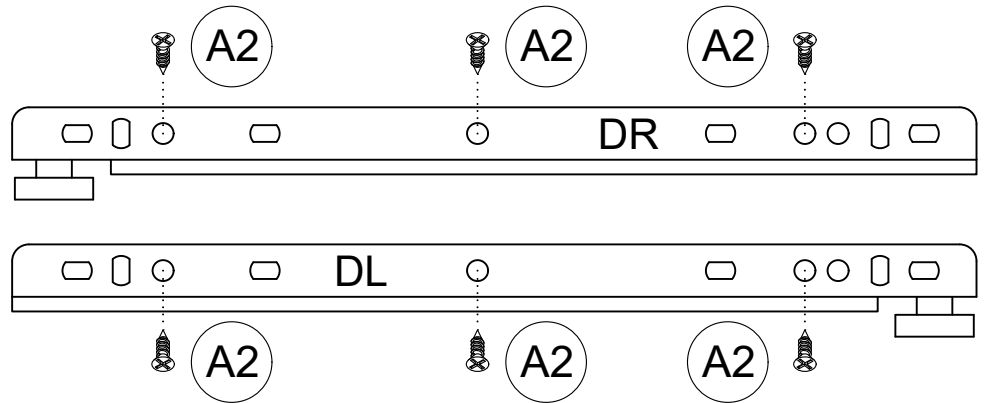
A10		Screw m4 x 38mm	20 pcs
-----	---	-----------------	--------

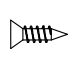
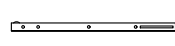
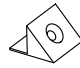
# STEP 3



To Assemble the Drawer Slide, Please follow step as below

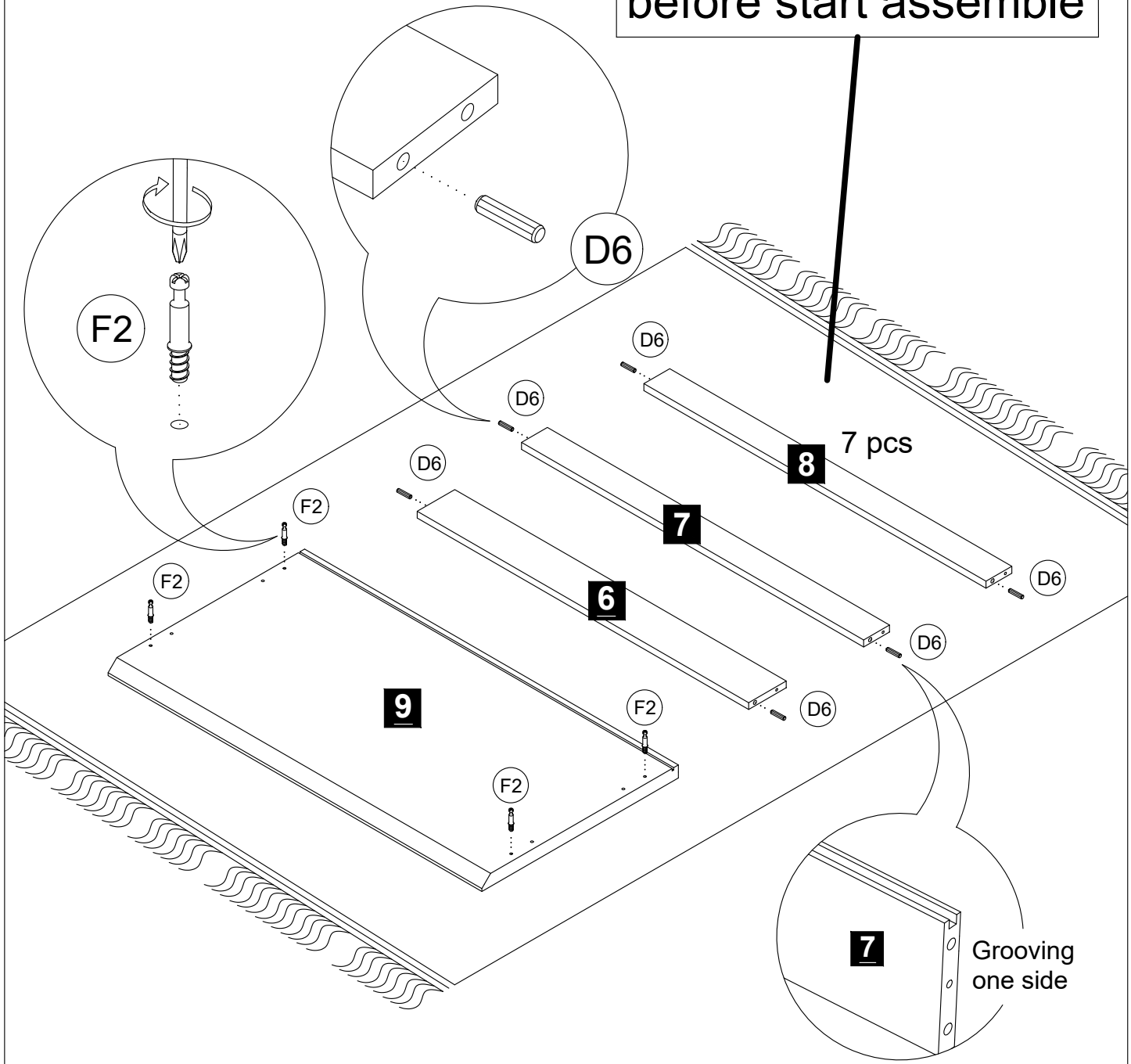
# STEP 4

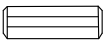



A2		Screw m3.5 x 14mm	60 pcs
M7		Drawer Metal Slide 400mm	5 Sets
R2		Single Plastic Cap	30 pcs

# STEP 5

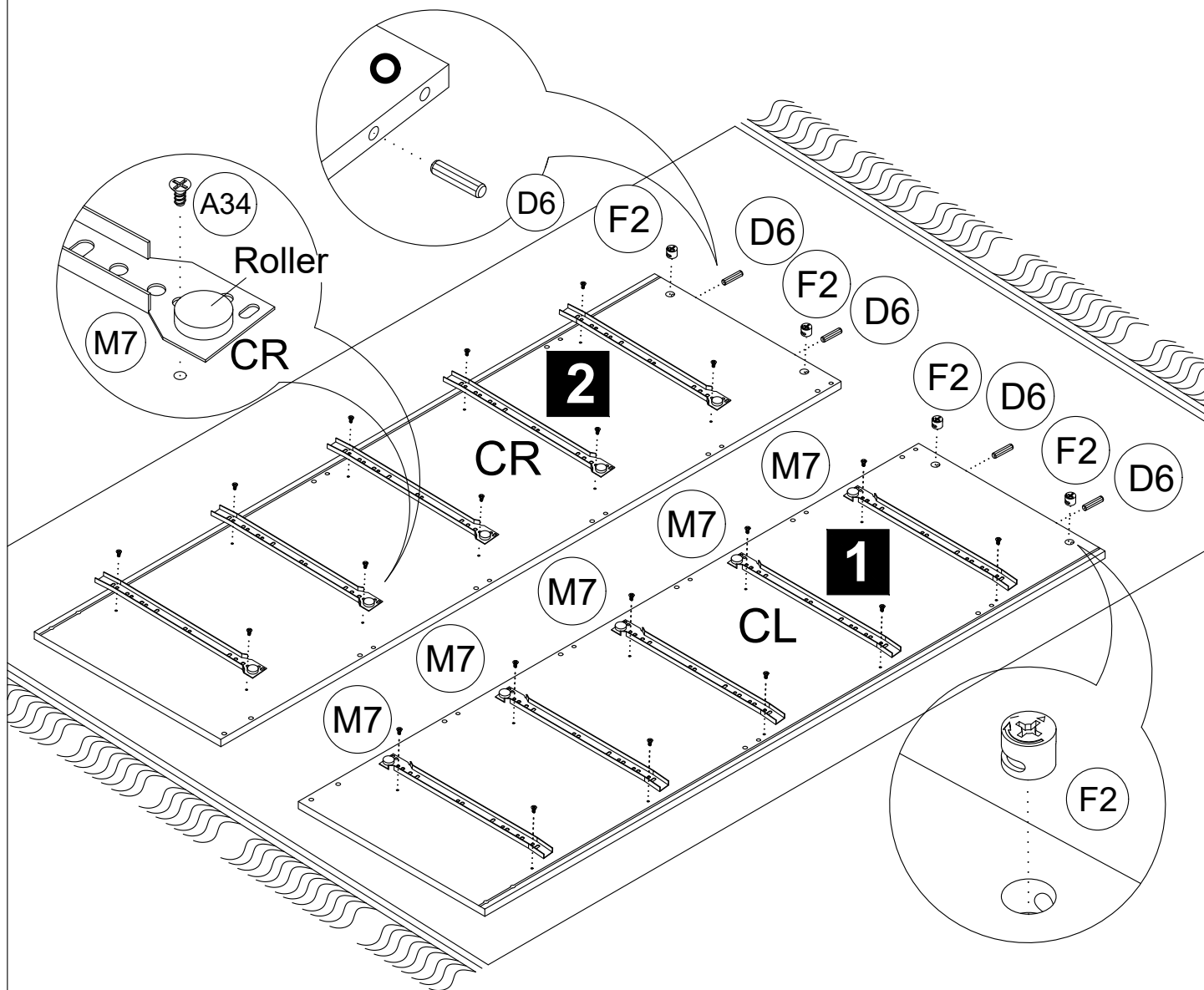
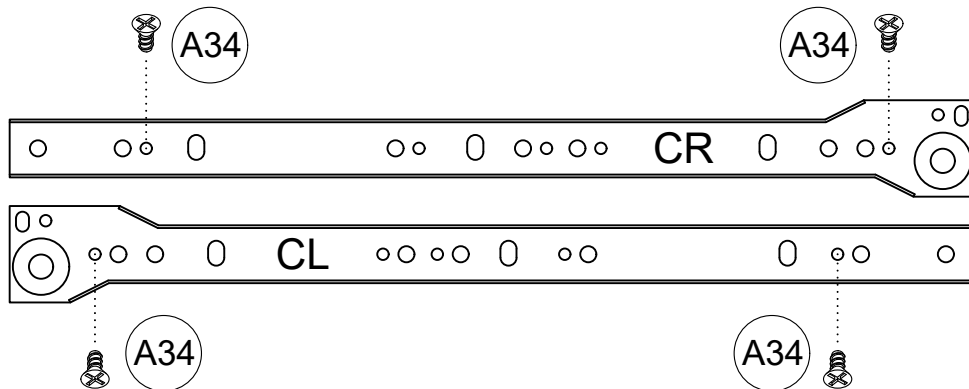
**ATTENTION !**  
Clean Surface / Rug  
before start assemble

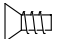
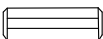

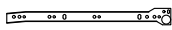


D6		Wood Dowel 8 x 25mm	18 pcs
F2		Mini Fix Bolt	4 pcs

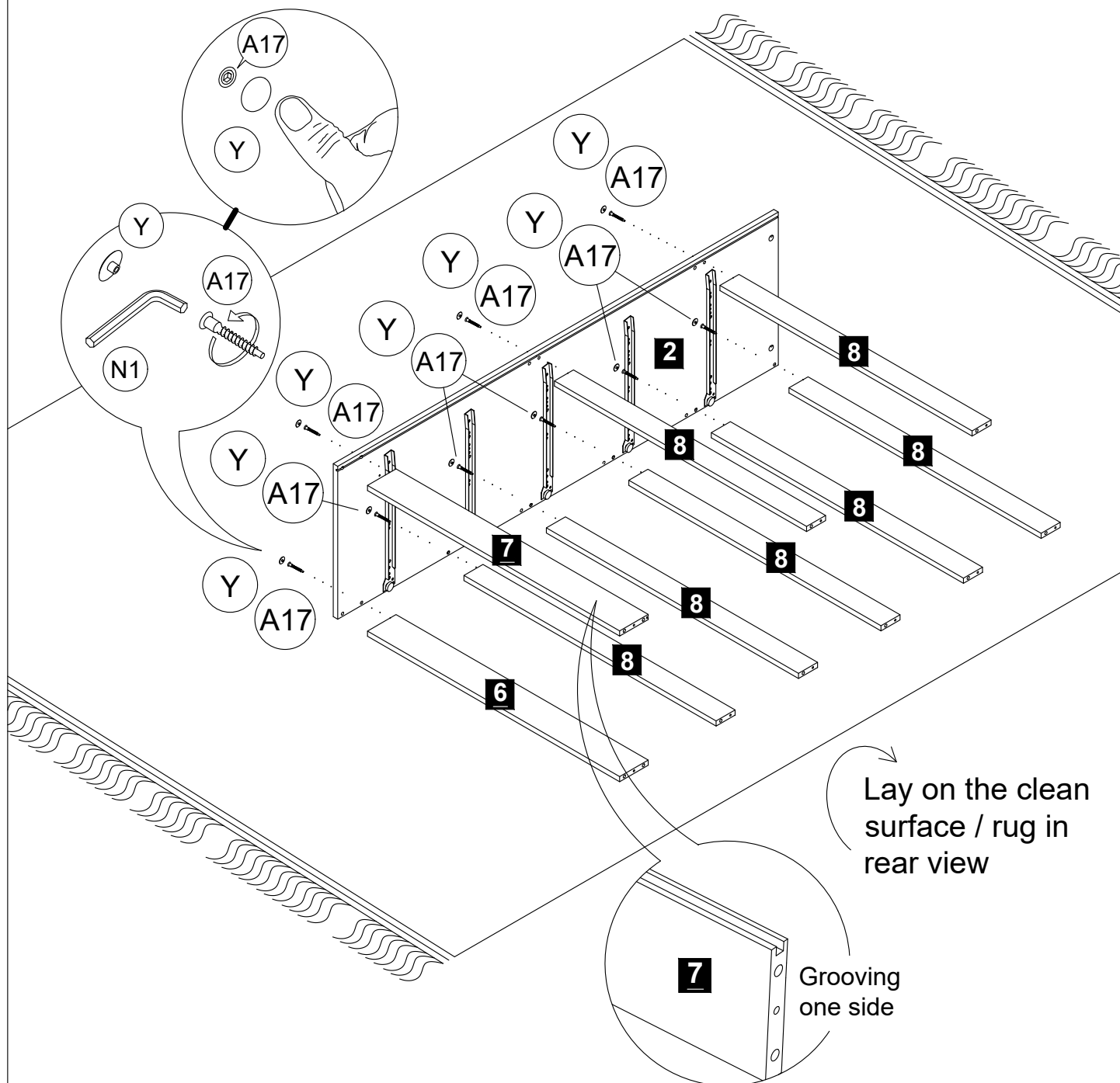
To Assemble the Drawer Slide, Please follow step as below

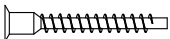


# STEP 6



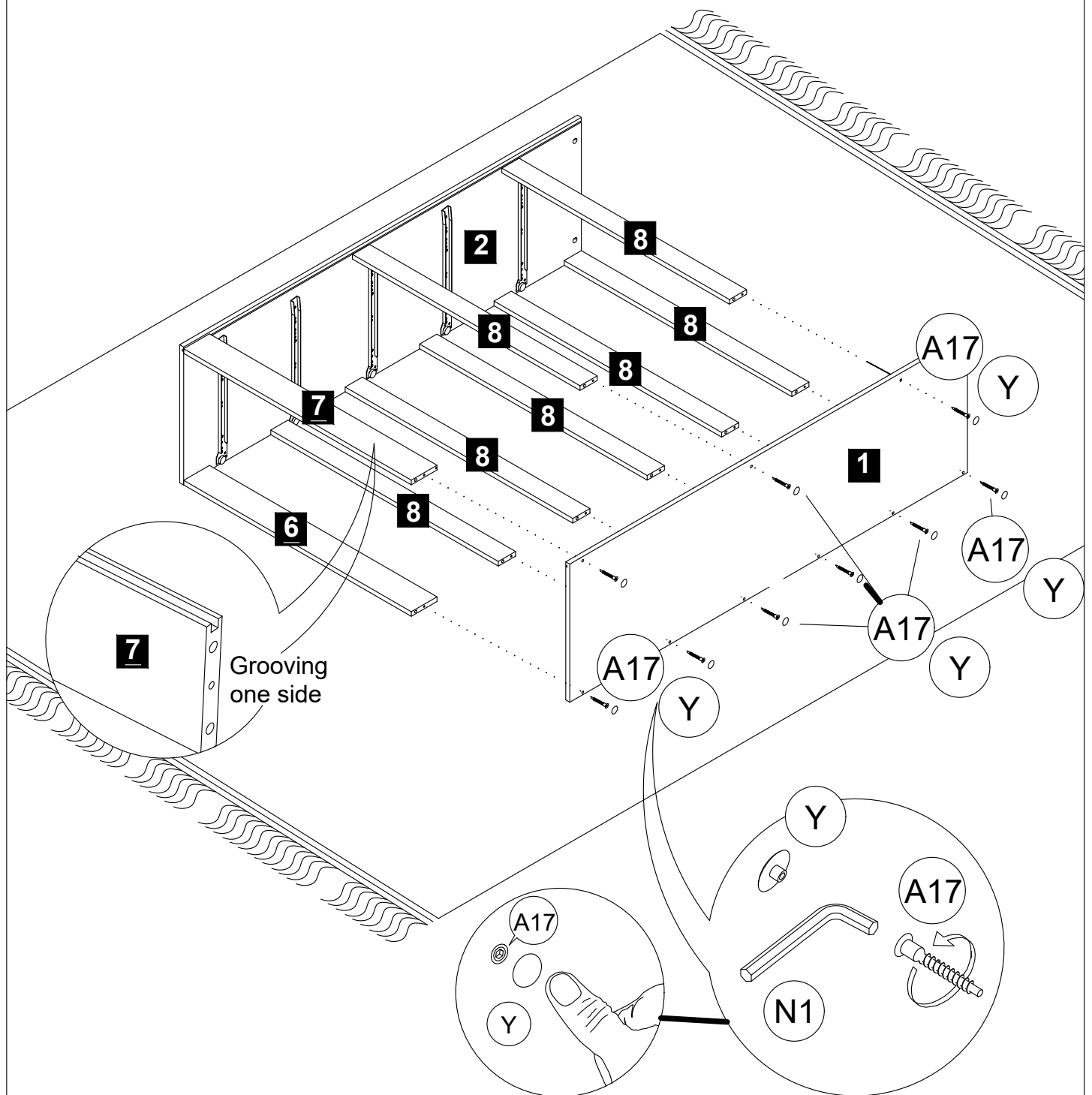
A34		Euro Screw m5 x 8mm	20 pcs
D6		Wood Dowel 8 x 25mm	4 pcs
F2		Mini Fix Cam	4 pcs
M7		Drawer Metal Slide 400mm	5 Sets

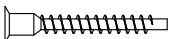


# STEP 7



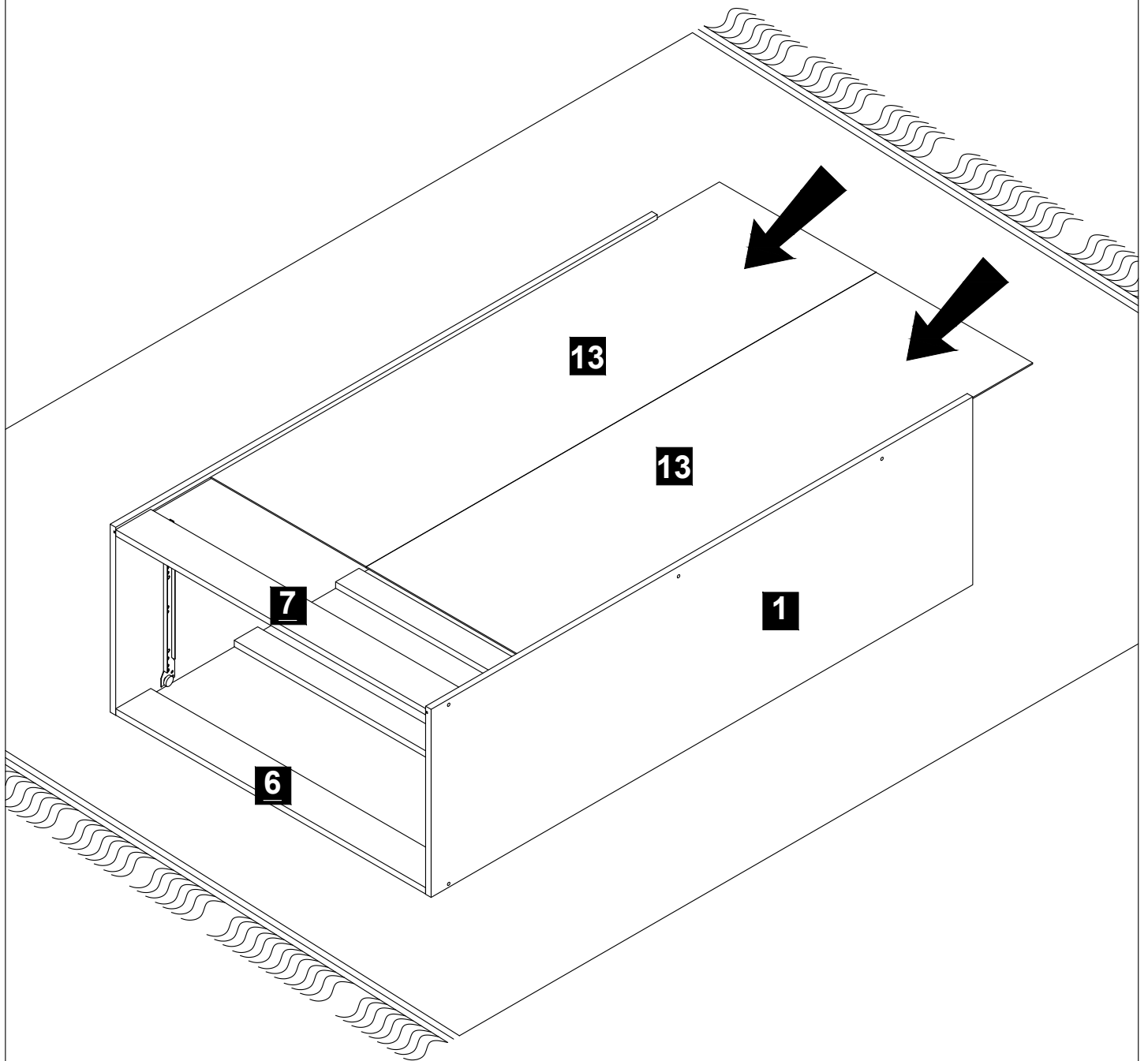
A17		Crosshead Screw m6.3 x 40mm	9 pcs
N1		Allen Key	1 pc
Y		Crosshead Cover	9 pcs

# STEP 8

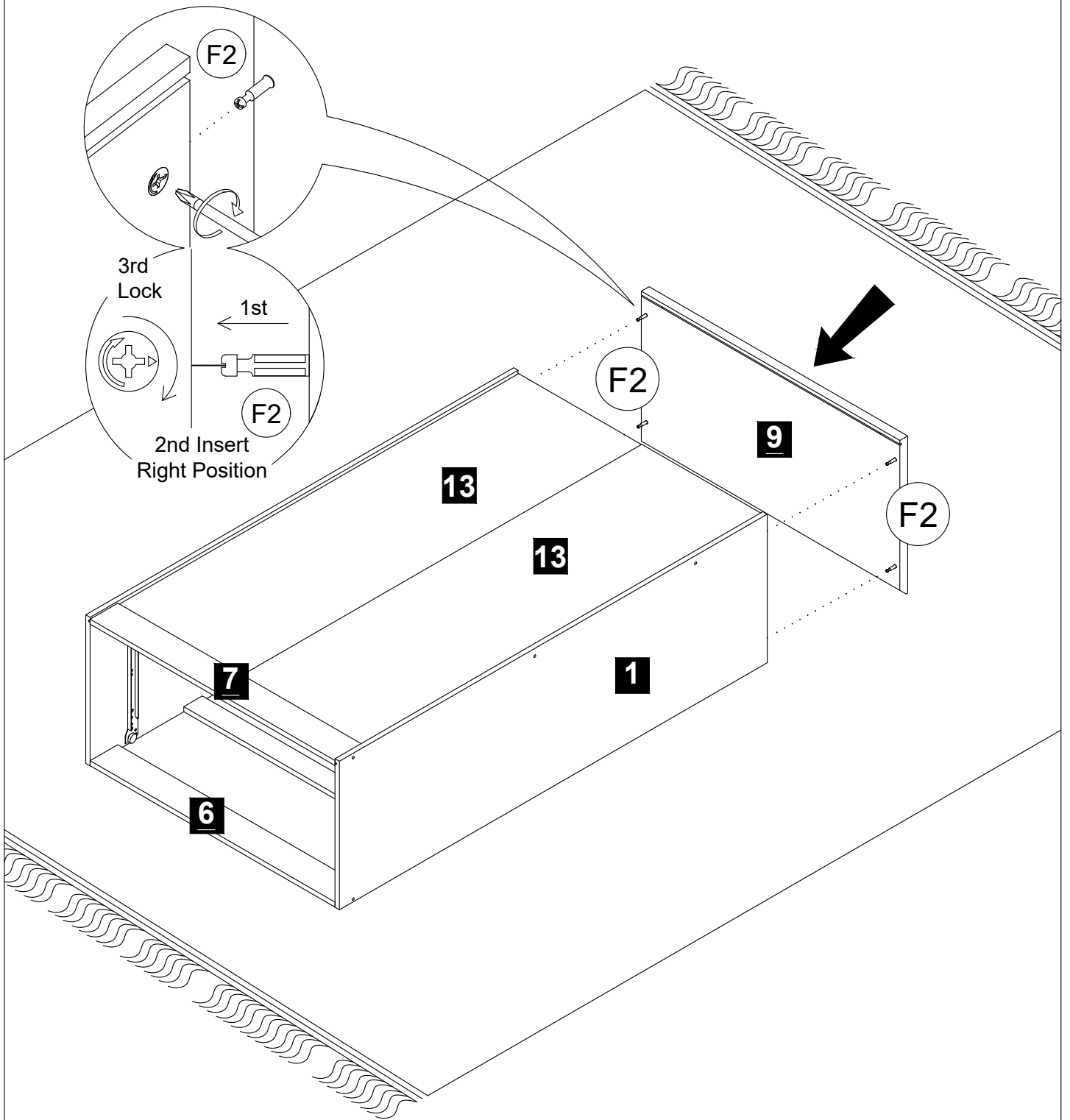


A17		Crosshead Screw m6.3 x 40mm	9 pcs
N1		Allen Key	1 pc
Y		Crosshead Cover	9 pcs

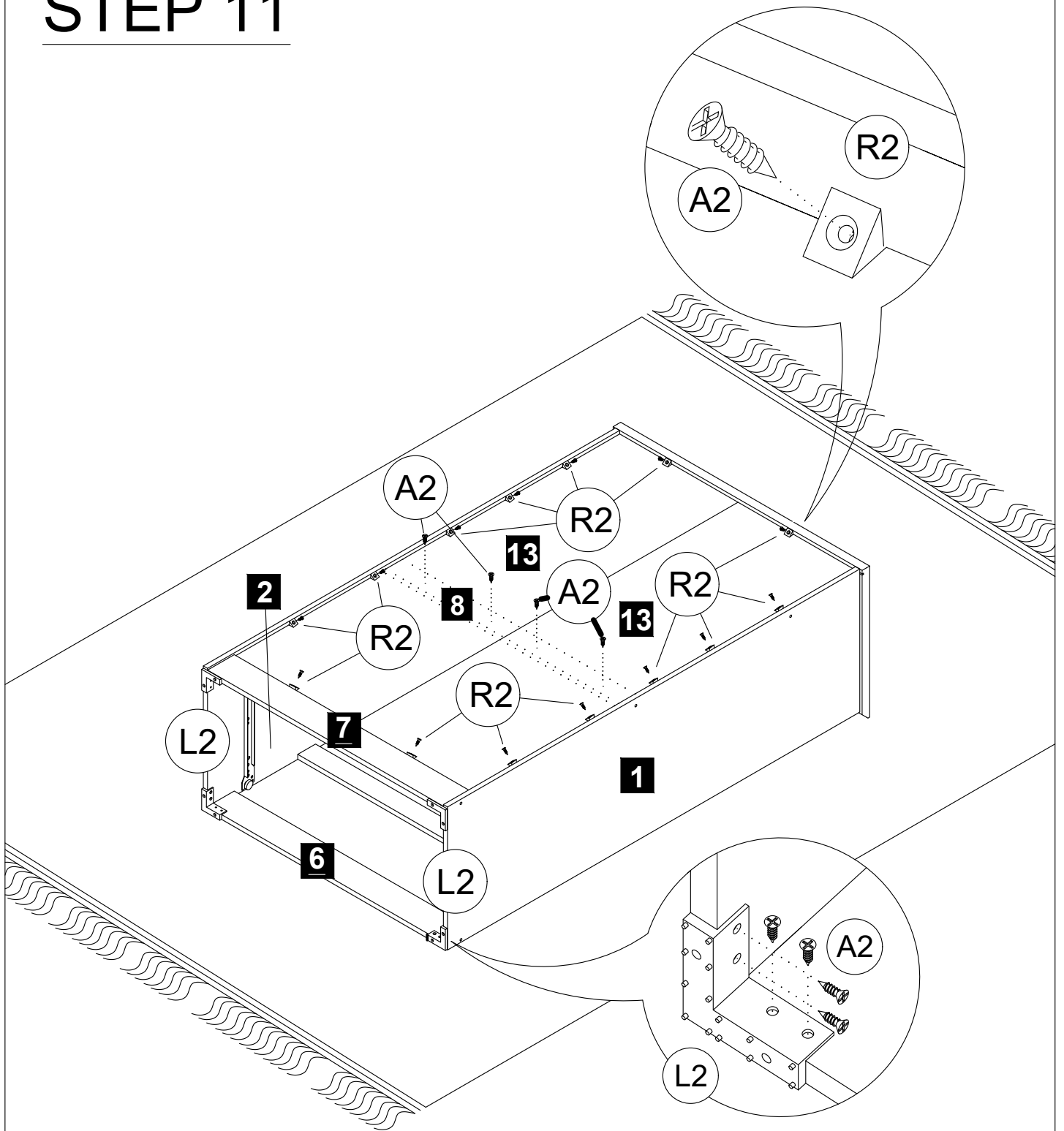
# STEP 9

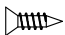
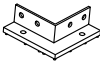



# STEP 10

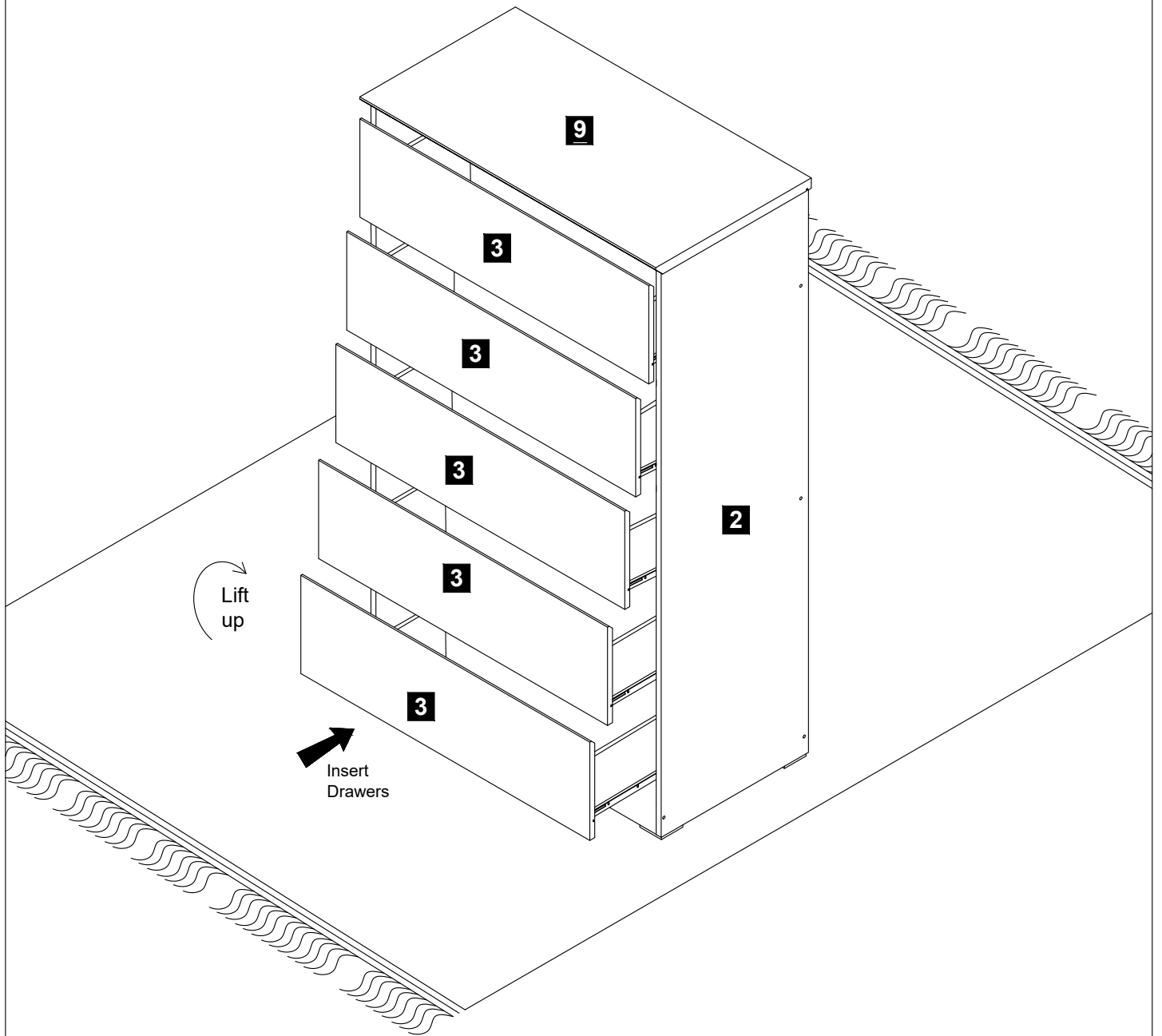


# STEP 11



A2		Screw m3.5 x 14mm	34 pcs
L2		Plastic Leg L Shape	4 pcs
R2		Single Plastic Cap	14 pcs

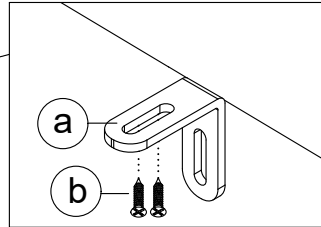
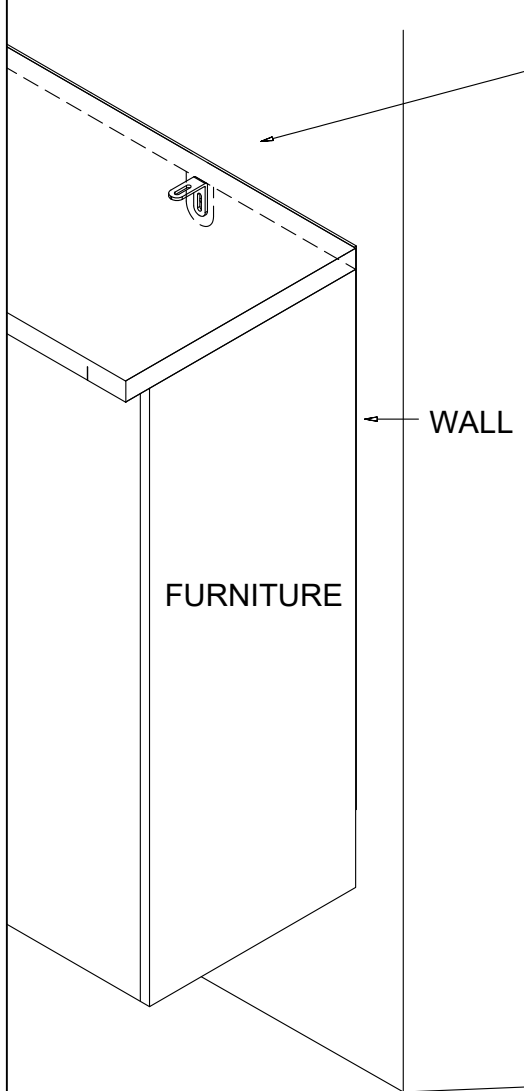
# STEP 12



# INSTALLATION OF TIPOVER RESTRAINT KIT

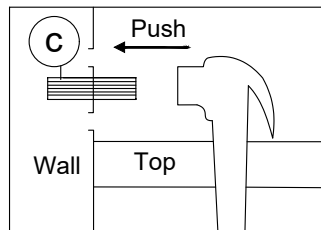
The Tipover Restraint Kit is highly recommended for this piece of furniture.

**(Please take this into extra consideration around young toddlers and children)**



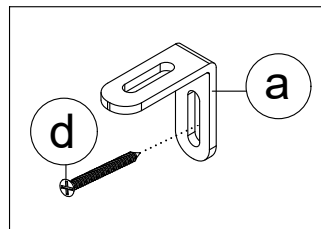
## STEP 1:

- Attach the mounting bracket (a) to the bottom top panel near the edge of the side of the unit.
- Screw (b) through the two holes of (a).



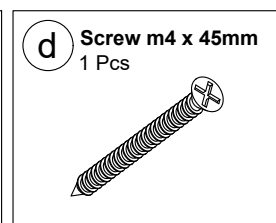
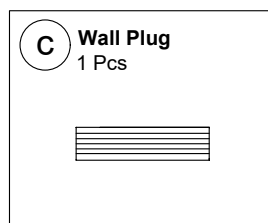
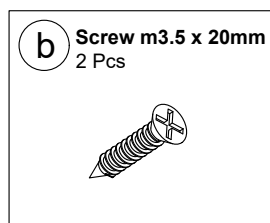
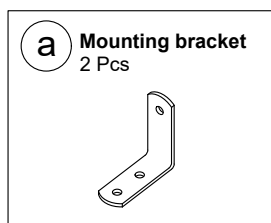
## STEP 2:

- Insert the wall plug (d) into the wall behind the unit.



## STEP 3:

- Attach to the mounting bracket (a) to the wall plug (c) through the hole by using (d).



**AH CHAI ENTERPRISE SDN BHD**  
LOT 17334, LORONG ASAS JAYA 3,  
KWS PERINDUSTRIAN RINGAN ASAS JAYA,  
PERMATANG TINGGI,  
14000 BUKIT MERTAJAM, PENANG.  
Manufacture Date: 9/12/2023

# Troubleshooting

- If the drawers are overlapping each other - **Solution:** The metal slides are placed upside down, please refer to the instruction manual.
- If the doors are overlapping each other - **Solution:** make sure the correct hinges are placed on the right door refer to the hinge assembly step on the manual.
- If the gap between the doors is too large or too small, the doors are overlapping each other, not parallel, or rubbing against the sides of the closet - **Solution:** See the page for " Door Adjustment. " or see video, QR code video is available below.

# **THANK YOU**

**We hope you enjoy your new purchase.**

**We have personally inspected this product.**

**In the event that you need any additional help for any reason,**

**Please do not hesitate to contact us at: 315-7580-751 / 973-751-7089**

**Email [lori@shopwp.com](mailto:lori@shopwp.com)**

**See our website [wpfurniture.com](http://wpfurniture.com)**

**WP FURNITURE  
323 Cortland Street  
Belleville New Jersey**

**Thank you**