

Wall Cabinet Installation Instructions

ASSEMBLY INSTUCTIONS

Getting started:

prepare a protection layer, a screwdriver

STEP 1: Joint side panel with back panel

STEP 2: Joint top panel with side panel

STEP 3: Joint bottom panel with side panel

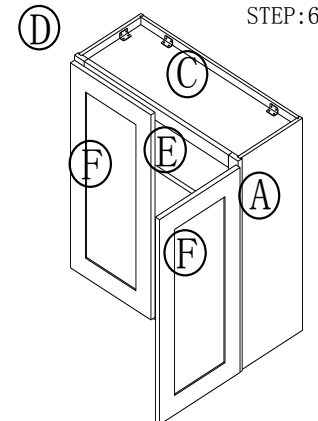
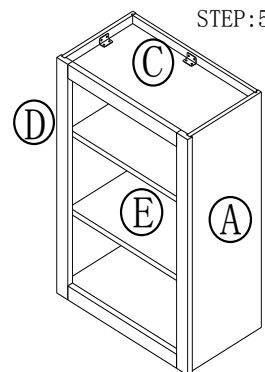
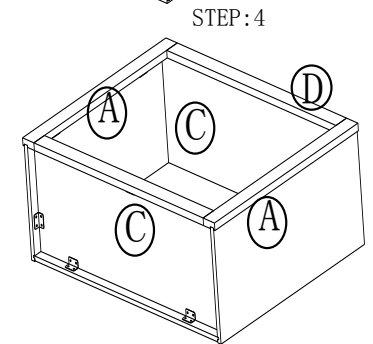
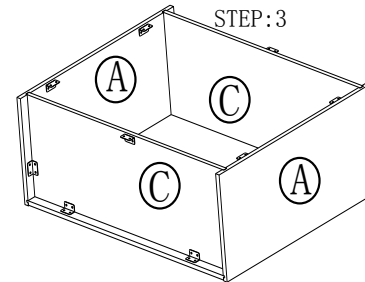
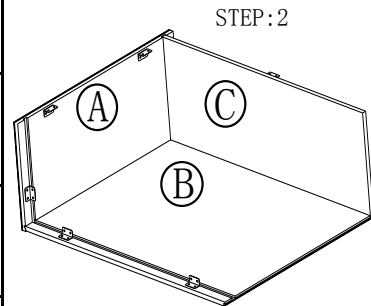
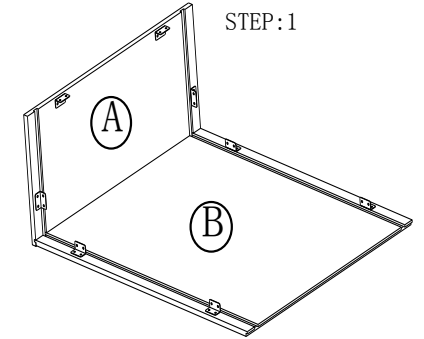
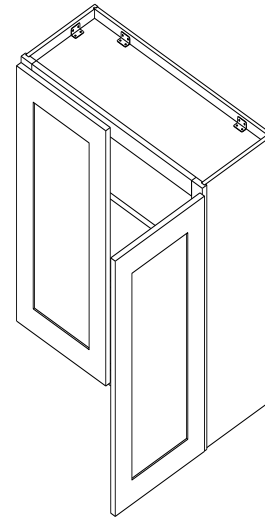
STEP 4: Attach frame on

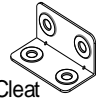
STEP 5: Put on the adjustable shelves

STEP 6: Fix door onto the frame and adjust the cover-space

PARTS LIST

NO.	Description	QTY
A	SIDE PANEL	2
B	BACK PANEL	1
C	TOP&BOTTOM PANEL	2
D	FACE FRAME	1
E	ADJUSTABLE SHELF	2 OR 3
F	CABINETS DOOR	2



7	1 1/2" SOFTCLOSE HINGE	4	 1 1/2" hinge
6	3/4" ROUND HEAD SCREW	4	 3/4" round head screw
5	BUMPER	4	 Bumper
4	SHELF CLIP	8	 Shelf clip
3	9/16" ROUND HEAD SCREW	56	 9/16" round head screw
2	CLEAT	14	 Cleat
1	1" FLAT HEAD SCREW FOR CARCASS	6	 1" flat head screw
NO.	Description	QTY	PICTURE

HARDWARE LIST