

Acoustic Dual Layer Ceiling Waffle Panel

PP-CW02B
Assembly Manual



Better Products for a Better Workspace Experience

We are dedicated to creating high-end ergonomic solutions
for the office with top of the industry support.

Explore Endless Workspace Solutions
www.vivo-us.com



WARNING



If you do not understand these directions, or if you have any doubts about the safety of the installation, please contact our product support team at 309-278-5303 or help@vivo-us.com for further assistance. Check carefully to make sure there are no missing or defective parts. Failure to report missing parts within 30 days may result in denial of free replacement. Improper installation may cause damage or serious injury. Do not use this product for any purpose that is not explicitly specified in this manual. Do not exceed weight capacity. We cannot be liable for damage or injury caused by improper mounting, incorrect assembly or inappropriate use.



WARNING: CHOKING HAZARD

SMALL PARTS - NOT FOR CHILDREN UNDER 3 YEARS. ADULT SUPERVISION IS REQUIRED.



WARNING: DO NOT INSTALL INTO DRYWALL ALONE

VERIFY YOUR WALL CONSTRUCTION. USE WOOD STUDS TO MOUNT. We include mounting for brick and concrete walls. If unsure, please contact us at vivo-us.com, email at help@vivo-us.com, or call us at 309-278-5303.

Need Help? We're Here For You

US-Based Customer Support from Trained Professionals

Monday-Friday from 7am-7pm CST

Saturday 8am-4pm CST



Email Us

help@vivo-us.com



Chat with Live Agent

www.vivo-us.com



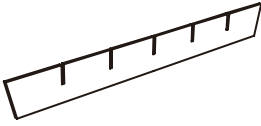
Give Us a Call

309-278-5303 ext. 1

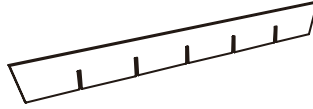


Assembly Video & Product Info
www.vivo-us.com/products/pp-cw02b

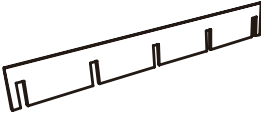
Package Contents



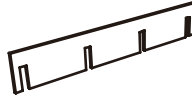
A (x5)
Lower 5 Slot Panel



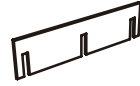
B (x5)
Upper 5 Slot Panel



C (x1)
Small 5 Slot Panel



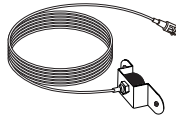
D (x2)
4 Slot Panel



E (x2)
3 Slot Panel



F (x2)
2 Slot Panel



G (x4)
Cable

Included Hardware & Tools



W-A (x8)
ST4x41mm Screw

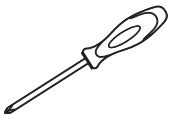


W-B (x8)
Concrete Anchor



T-A (x1)
2.5mm Allen Wrench

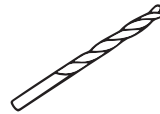
Tools Needed:



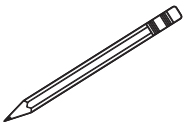
**Phillips
Screwdriver**



Drill



Drill Bit
Wood Joist: 1/8" (3mm)
Concrete/Brick: 5/16" (8mm)

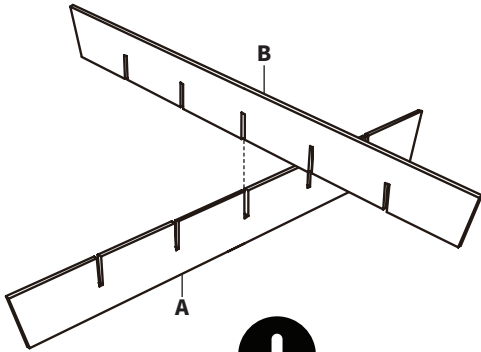


Pencil

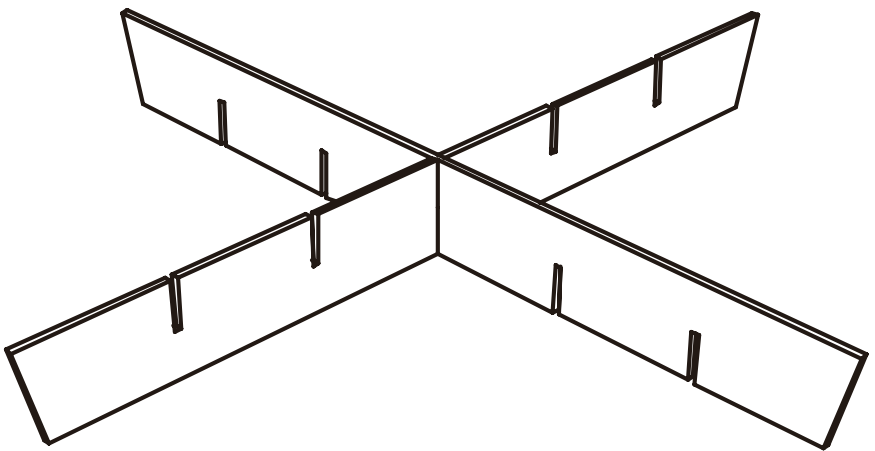
ASSEMBLY STEPS

STEP 1

Assemble a Lower 5 Slot Panel (**A**) to a Upper 5 Slot Panel (**B**) by sliding together the middle slots.



Ensure the slots are facing towards each other.

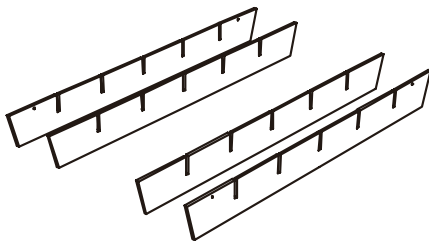


STEP 2

Sort the remaining panels into three groups as shown.

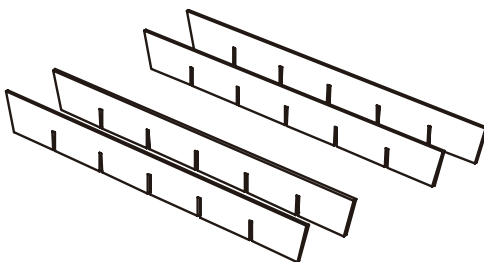
Group #1

4x Lower 5 Slot Panel (A)



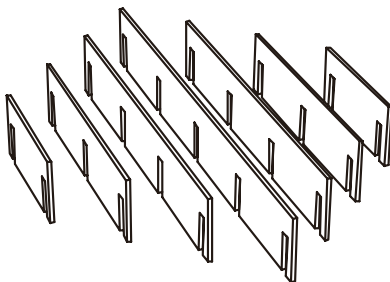
Group #2

4x Upper 5 Slot Panel (B)



Group #3

All remaining panels



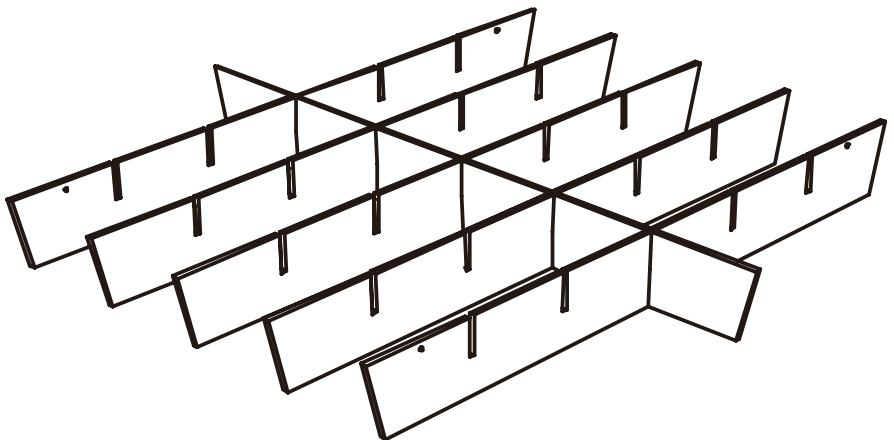
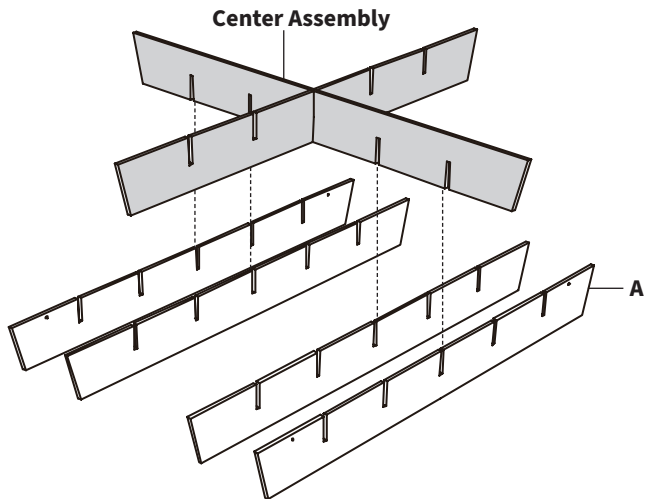
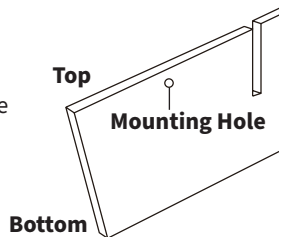
STEP 3

Insert Lower 5 Slot Panels (**A**) from **Group #1** into the **bottom** of **Center Assembly**.



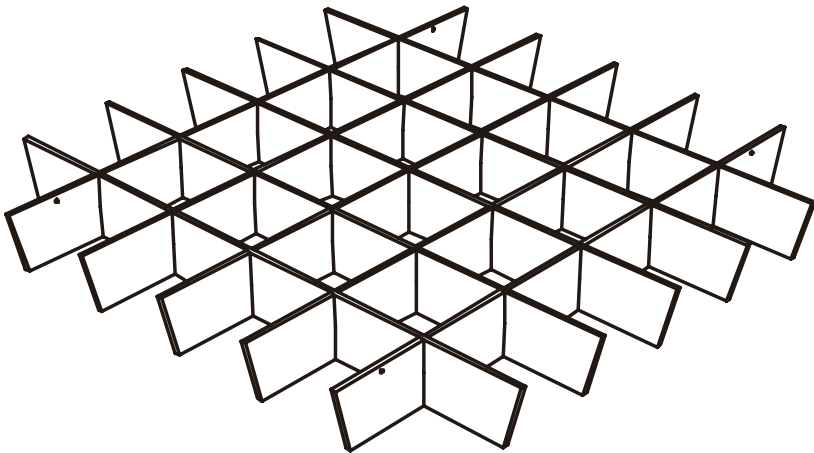
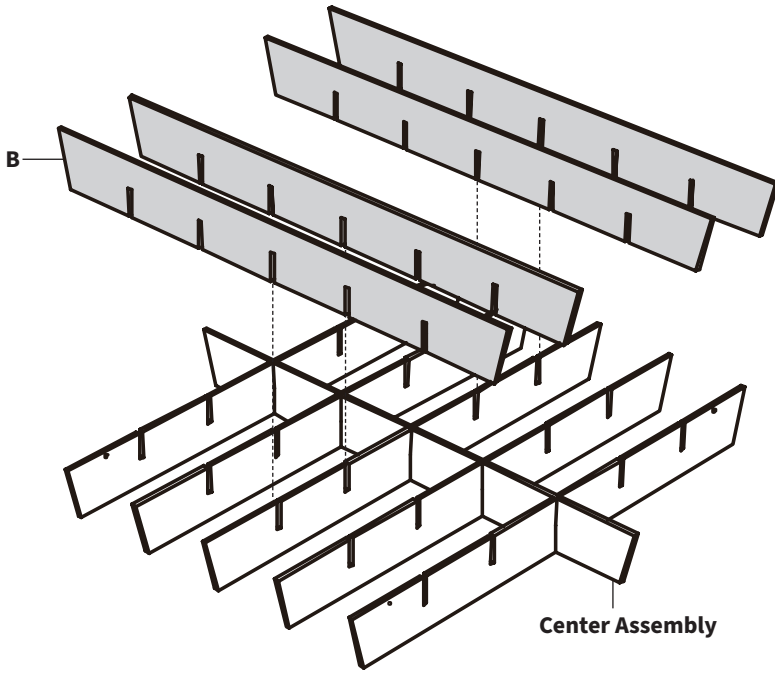
Please Note

1. Ensure the panels with **Mounting Holes** are inserted into the outer slots.
2. The side of panels with the longer edge is the **top**, and the shorter edge is the **bottom**.



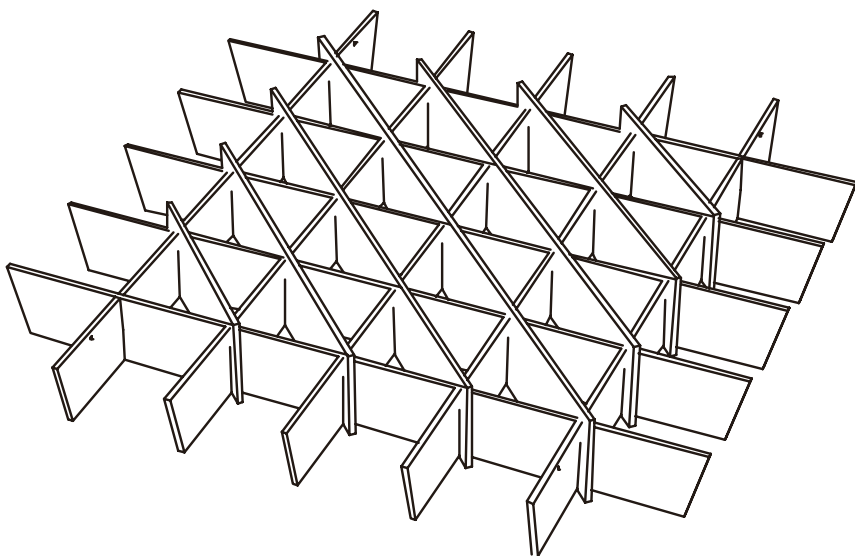
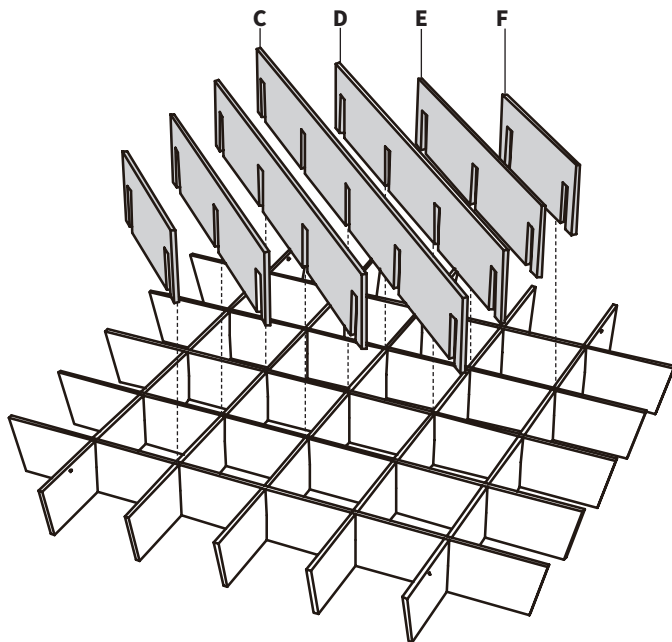
STEP 4

Insert Upper 5 Slot Panels (**B**) from **Group #2** into the opposite side of **Center Assembly** as shown.



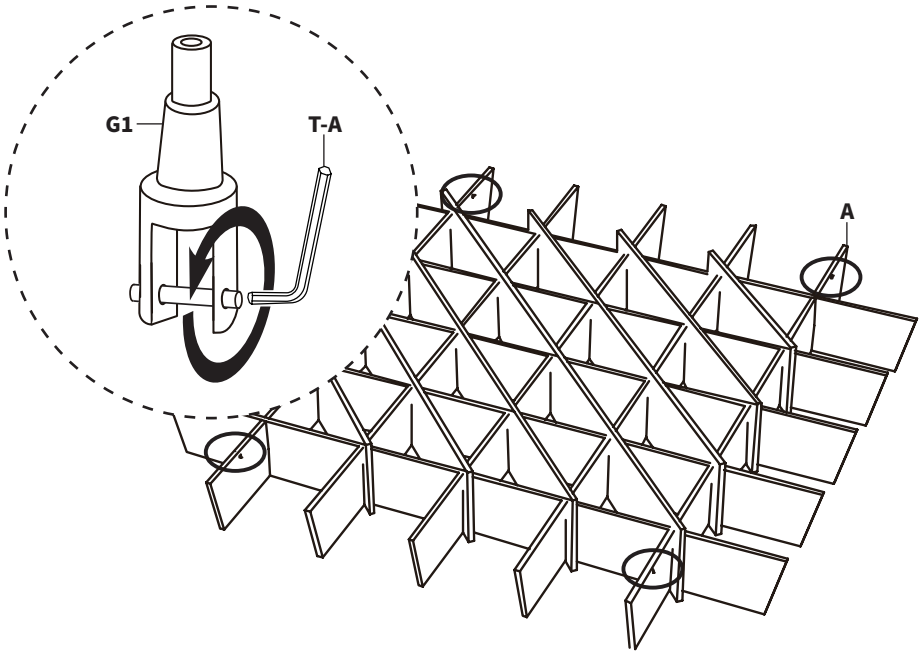
STEP 5

Insert the remaining Panels (**C thru F**) from **Group #3** into the top side of **Panel Assembly**. Start by inserting Small 5 Slot Panel (**C**) diagonally into the center, then insert the remaining Panels (**D thru F**) largest to smallest towards the outside.

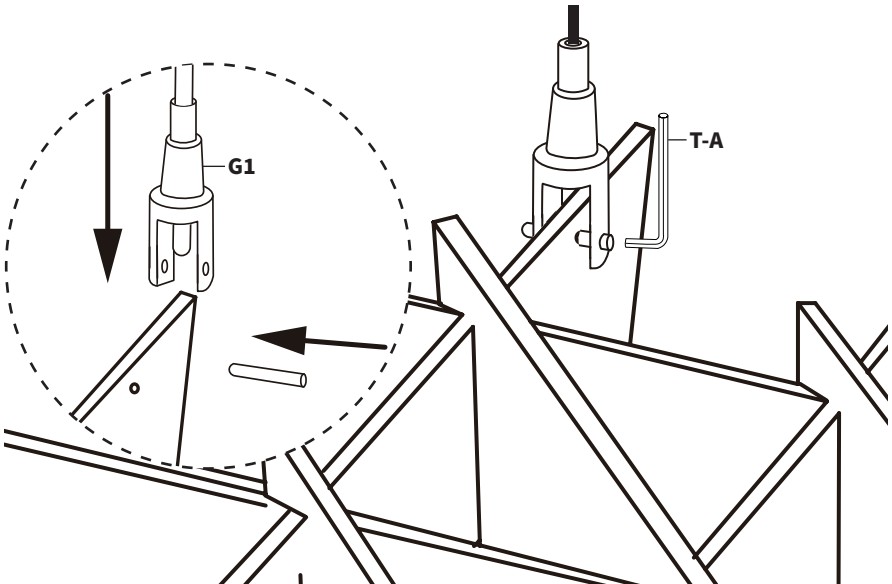


STEP 6

Locate the four **Mounting Holes** on Lower 5 Slot Panels (**A**) to install Cables (**G**). Remove the pre-installed pins on the Panels Brackets (**G1**) using a 2.5mm Allen Wrench (**T-A**).

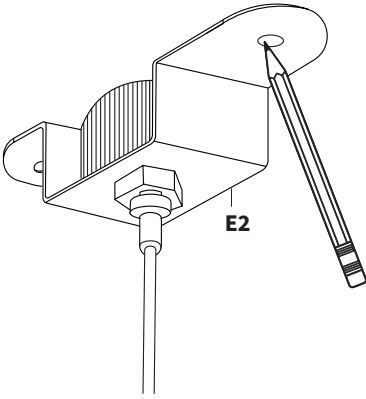


Use the 2.5mm Allen Wrench (**T-A**) to thread the pins through the Panel Brackets (**G1**) and the panels.



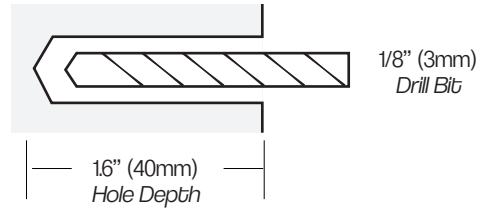
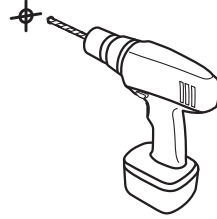
Option 1: Wood Joist Installation

Hold Ceiling Brackets (**G2**) up to the desired mounting locations and mark drilling locations using a Pencil.

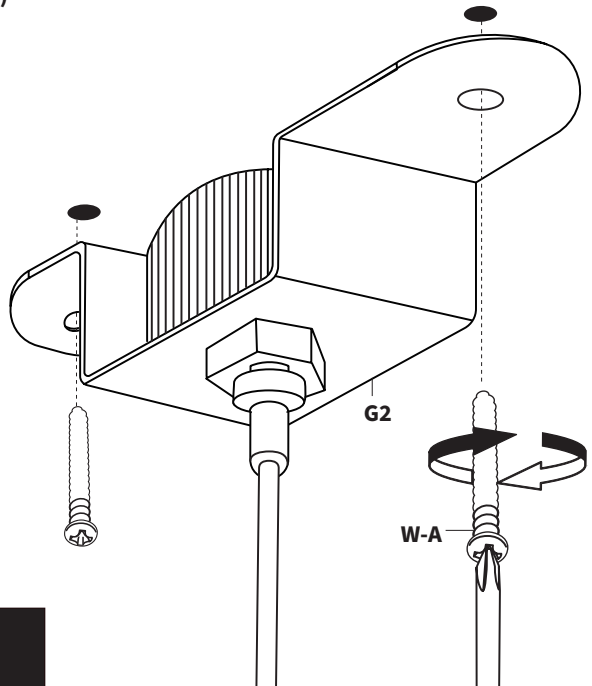


Pre-Drilling Instructions

Drill mounting holes using illustration below.



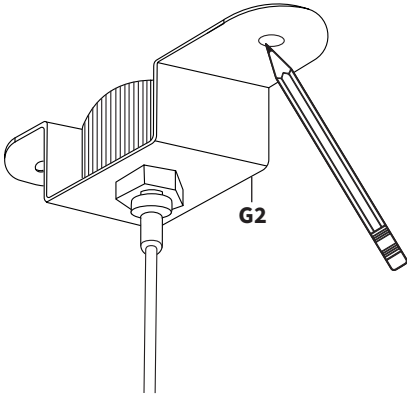
Secure the Ceiling Brackets (**G2**) to the ceiling using ST4x41mm Screws (**W-A**) and a Phillips screwdriver.



Proceed to **STEP 7**
on **Page 12**

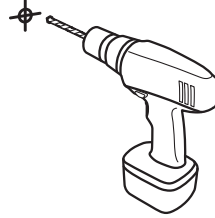
Option 2: Concrete/Brick Installation

Hold Ceiling Brackets (**G2**) up to the desired mounting locations and mark drilling locations using a Pencil.

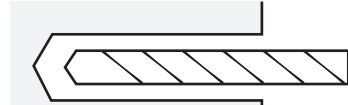


Pre-Drilling Instructions

Drill mounting holes using illustration below.

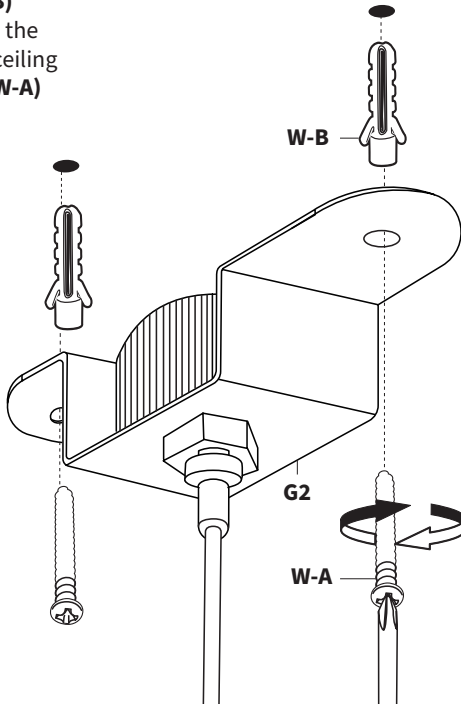


5/16" (8mm) Drill Bit



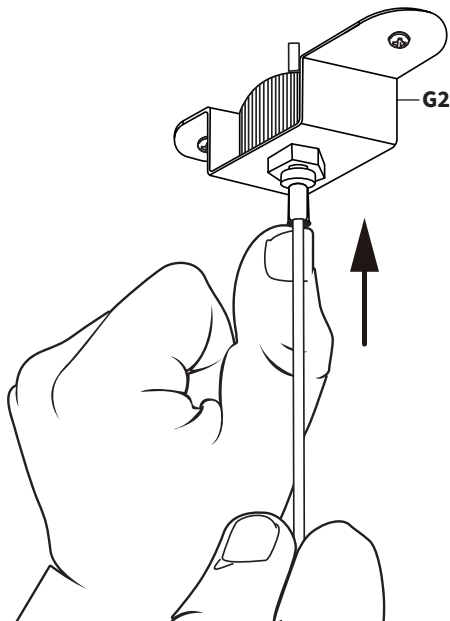
1.6" (40mm)
Hole Depth

Press Concrete Anchors (**W-B**) into the drilled holes. Secure the Ceiling Brackets (**G2**) to the ceiling using ST3.8x47mm Screws (**W-A**) and a Phillips screwdriver.

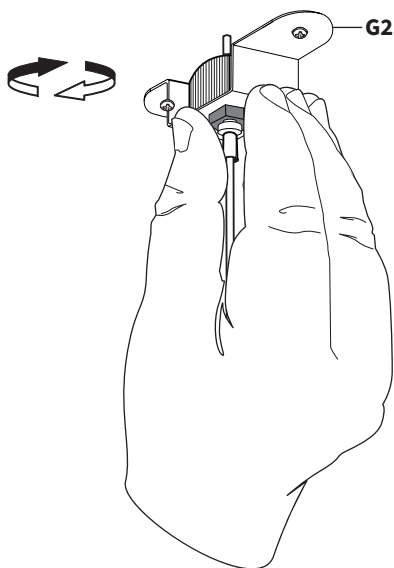


STEP 7

Press the spring-loaded barrel on Ceiling Bracket (**G2**) in and adjust the cable lengths according to your desired height.



Hand tighten the nut on Ceiling Brackets (**G2**).



V·I·V·



Love Your New Setup?
Tag Us on Social!



@VIVO-us



@vivo_us



@VIVOus



VIVO

[THIS PAGE HAS BEEN INTENTIONALLY LEFT BLANK]

LAST UPDATED: 10/24/24

REV1

v1.0



Need Help? Get In Touch

Monday-Friday from 7:00am-7:00pm CST



help@vivo-us.com



www.vivo-us.com

Chat live with an agent!



309-278-5303



VIVO-us



@vivo_us



@VIVOus



VIVO

FOR MORE GREAT VIVO PRODUCTS,
CHECK OUT OUR WEBSITE AT: WWW.VIVO-US.COM