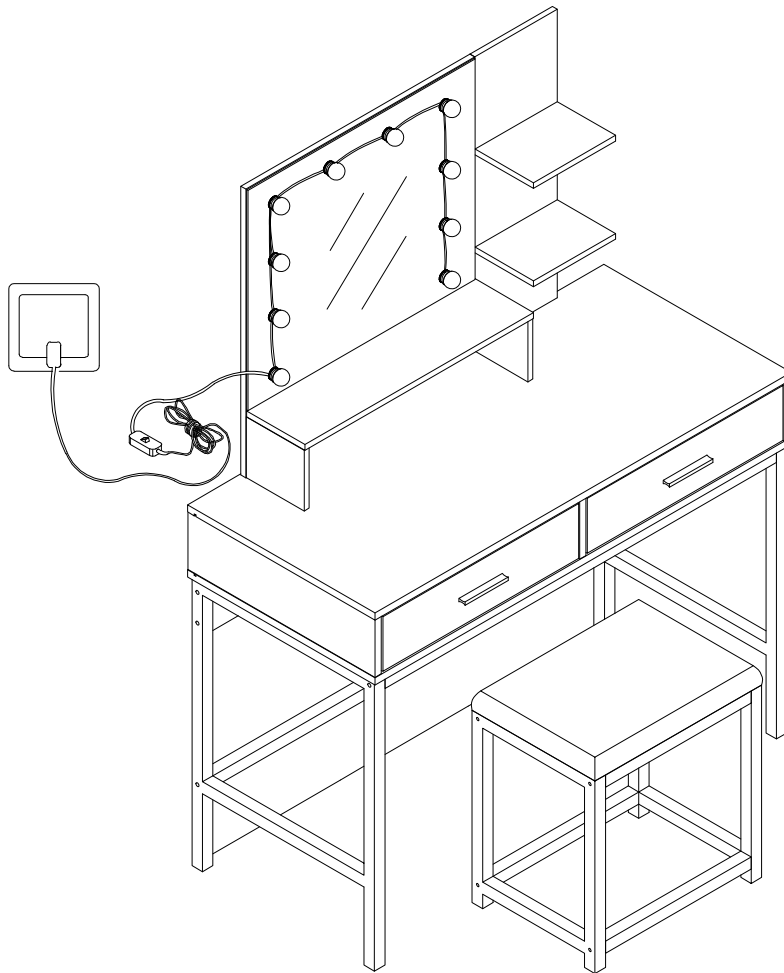
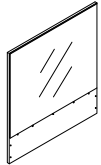

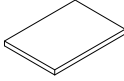
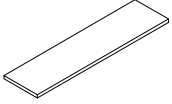
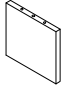
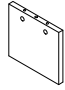
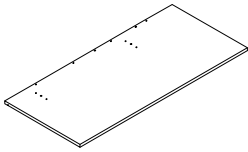
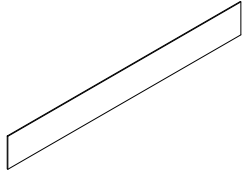
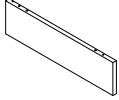
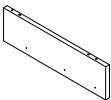
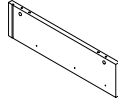
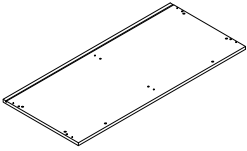
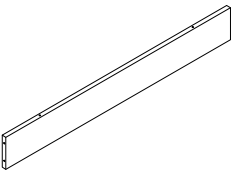
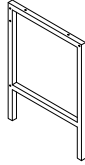
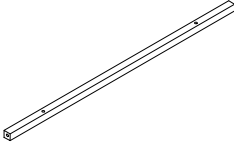
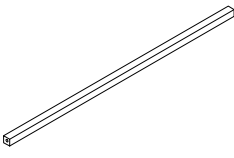
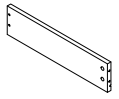
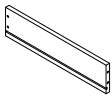
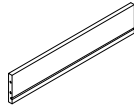
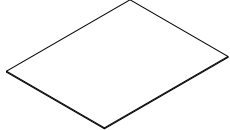
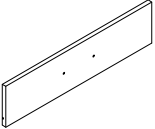
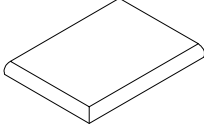
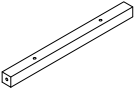
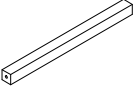
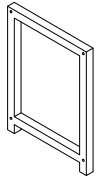
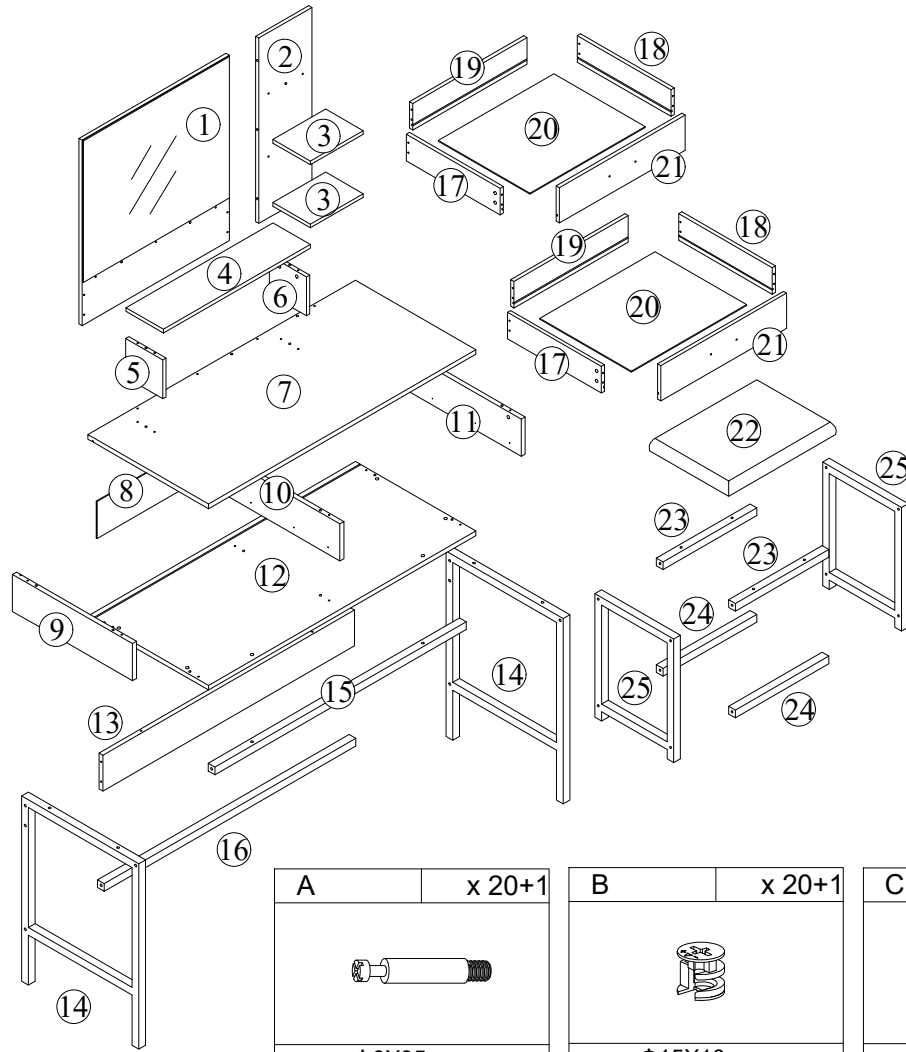
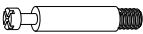

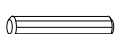

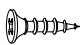


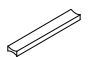




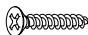



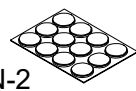



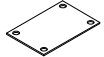
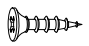

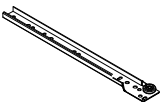
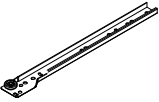
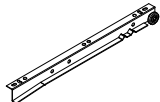
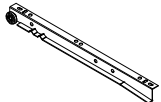


# Assembly Instruction

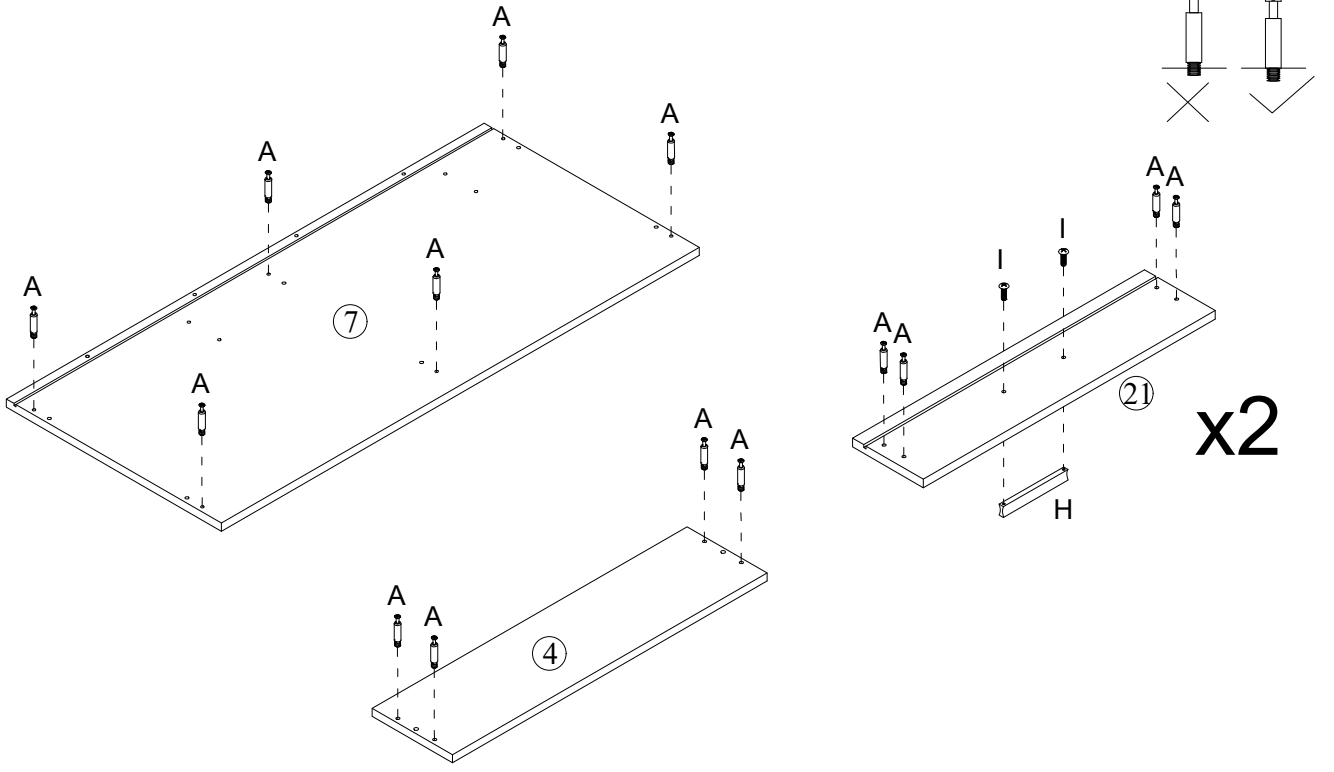


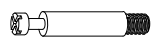
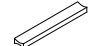

<p>1</p>  <p>599x549x15 x1</p>	<p>2</p>  <p>599x237x12 x1</p>	<p>3</p>  <p>236x139x12 x2</p>	<p>4</p>  <p>548x139x12 x1</p>
<p>5</p>  <p>138x125x12 x1</p>	<p>6</p>  <p>138x125x12 x1</p>	<p>7</p>  <p>999x449x15 x1</p>	<p>8</p>  <p>974x127 x1</p>
<p>9</p>  <p>448x120x15 x1</p>	<p>10</p>  <p>427x120x15 x1</p>	<p>11</p>  <p>448x120x15 x1</p>	<p>12</p>  <p>999x449x15 x1</p>
<p>13</p>  <p>940x115x15 x1</p>	<p>14</p>  <p>600x438x20 x2</p>	<p>15</p>  <p>940x20x20 x1</p>	<p>16</p>  <p>940x20x20 x1</p>
<p>17</p>  <p>350x85x12 x2</p>	<p>18</p>  <p>350x85x12 x2</p>	<p>19</p>  <p>427x85x12 x2</p>	<p>20</p>  <p>434x344 x2</p>
<p>21</p>  <p>470x113x15 x2</p>	<p>22</p>  <p>398x297x40 x1</p>	<p>23</p>  <p>358x20x20 x2</p>	<p>24</p>  <p>358x20x20 x2</p>
<p>25</p>  <p>400x297x20 x2</p>			



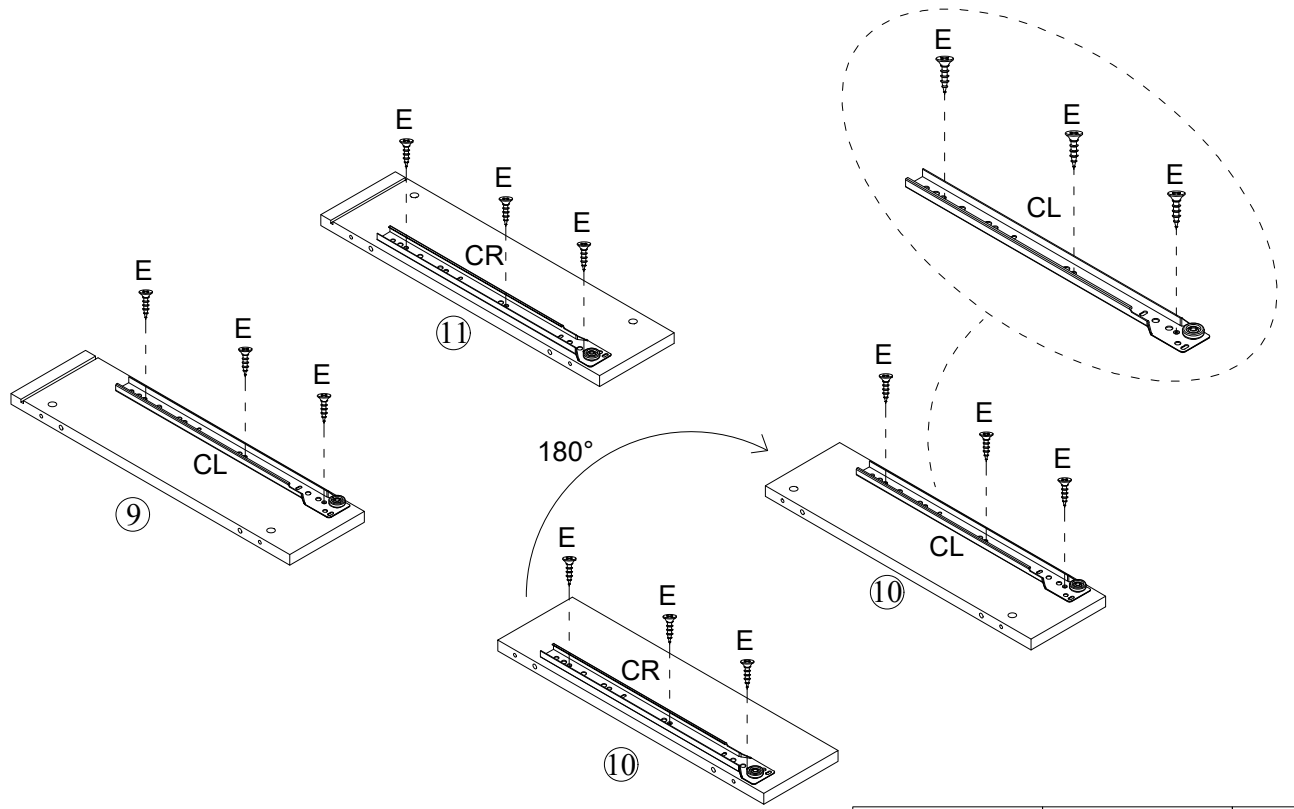
		A                    x 20+1  Φ6X35mm	B                    x 20+1  Φ15X10mm	C                    x 23+2  Φ6X30mm
D                    x 28+1  Φ4X35mm	E                    x 24+2  Φ3X12mm	F                    x 6  Φ5X40mm	G                    x 1 	H                    x 2  110X16X9
I                    x 4  Φ4X18mm	J                    x 6  Φ6X35mm	K                    x 2 K-1   K-2   K-3    Φ4X45mm	L                    x 16  Φ6X45mm	M                    x 4  6X10X12
N                    x 1  N-1  N-2	O                    x 2 O-1   O-2   O-3    Φ4X12mm	P                    x 1 	Q                    x 4  Φ3X10mm	
R                    x 4  Φ4X35mm	CL                    x 2  L350	CR                    x 2  L350	DL                    x 2  L350	DR                    x 2  L350


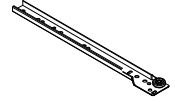
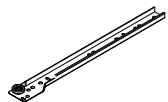
1



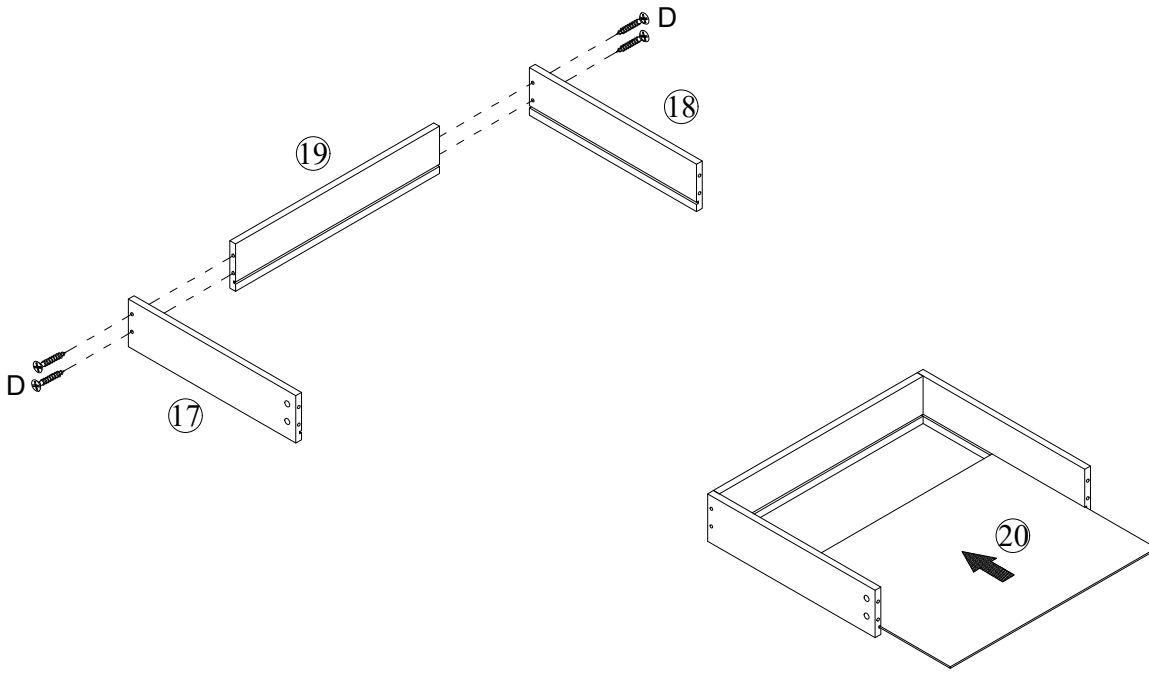
<p>A</p>  <p>x 18</p>	<p>H</p>  <p>x 2</p>	<p>I</p>  <p>x 4</p>
---	--	--

2

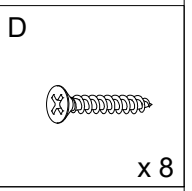


<p>E</p>  <p>x 12</p>	<p>CL</p>  <p>x 2</p>	<p>CR</p>  <p>x 2</p>
--	--	--

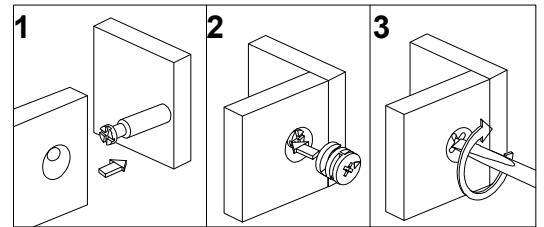
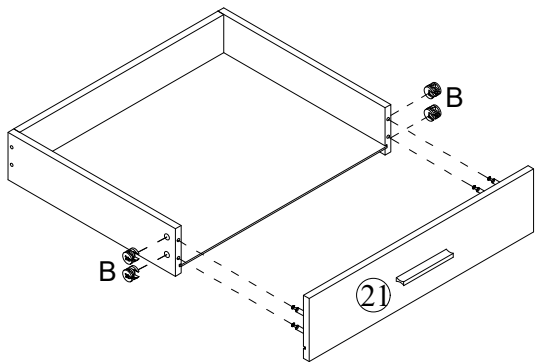
3



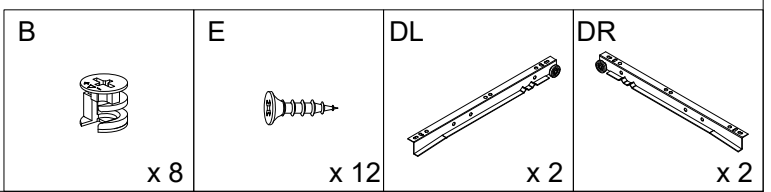
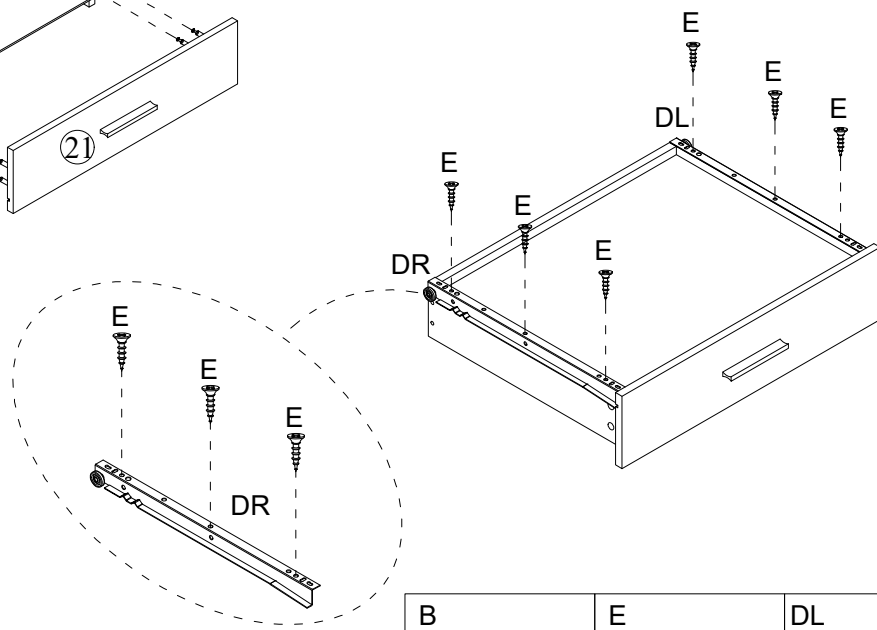
x2



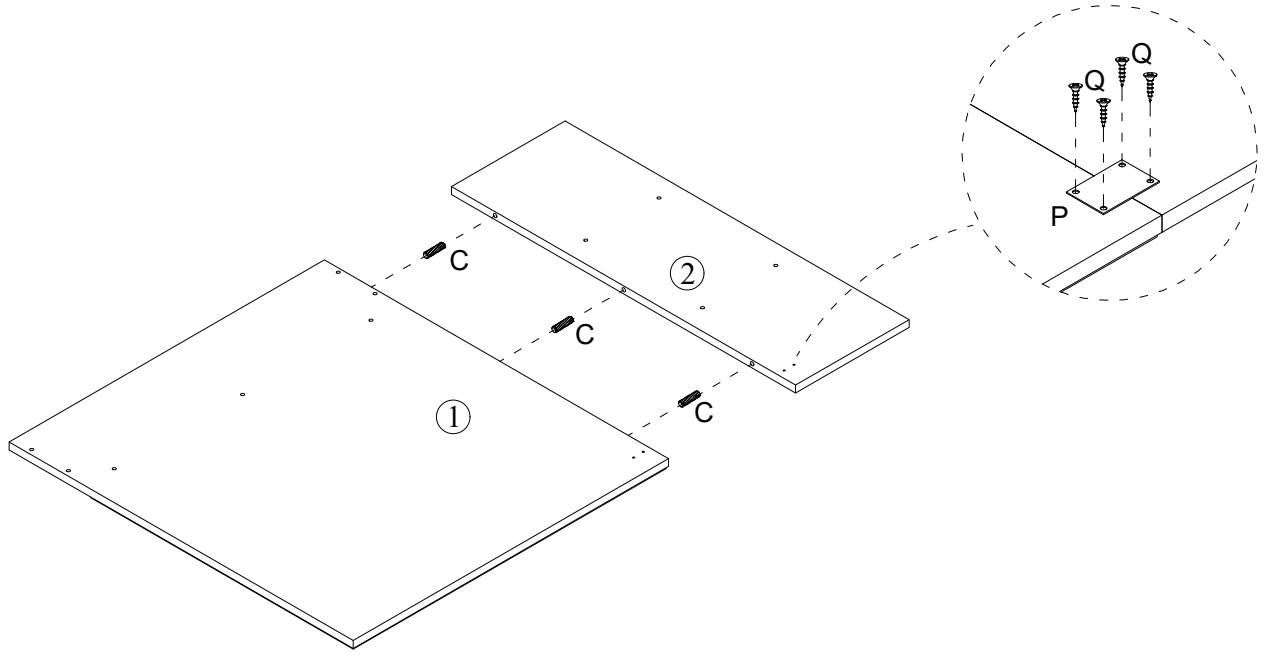
4


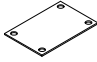
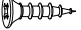


x2

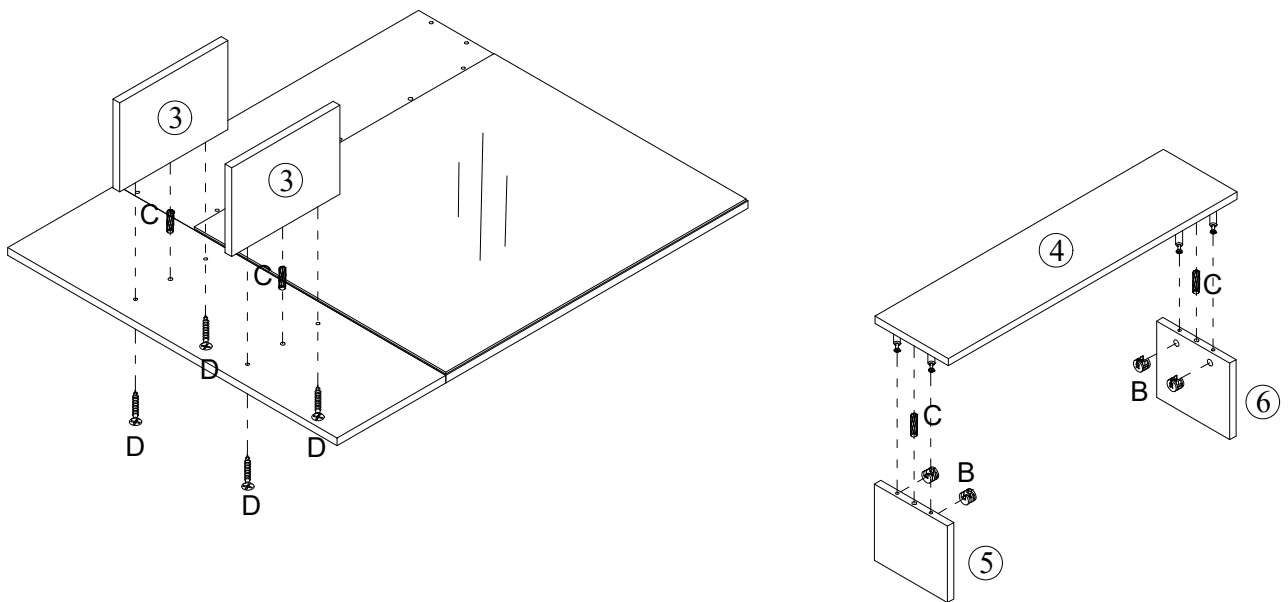




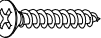
5



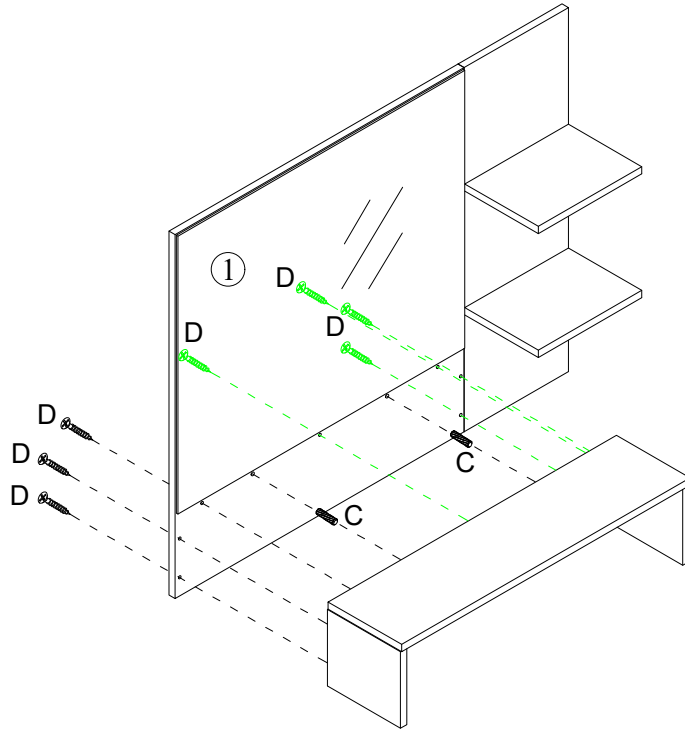
<p>C</p>  <p>x 3</p>	<p>P</p>  <p>x 1</p>	<p>Q</p>  <p>x 4</p>
---	--	---

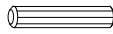

6



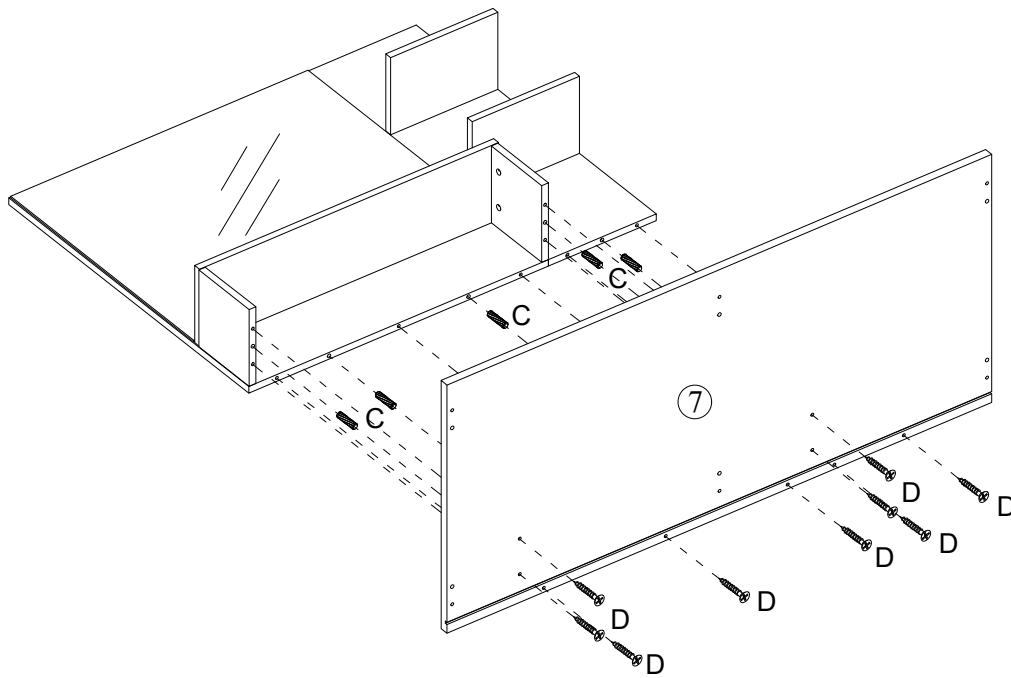
<p>B</p>  <p>x 4</p>	<p>C</p>  <p>x 4</p>	<p>D</p>  <p>x 4</p>
---	---	---



7



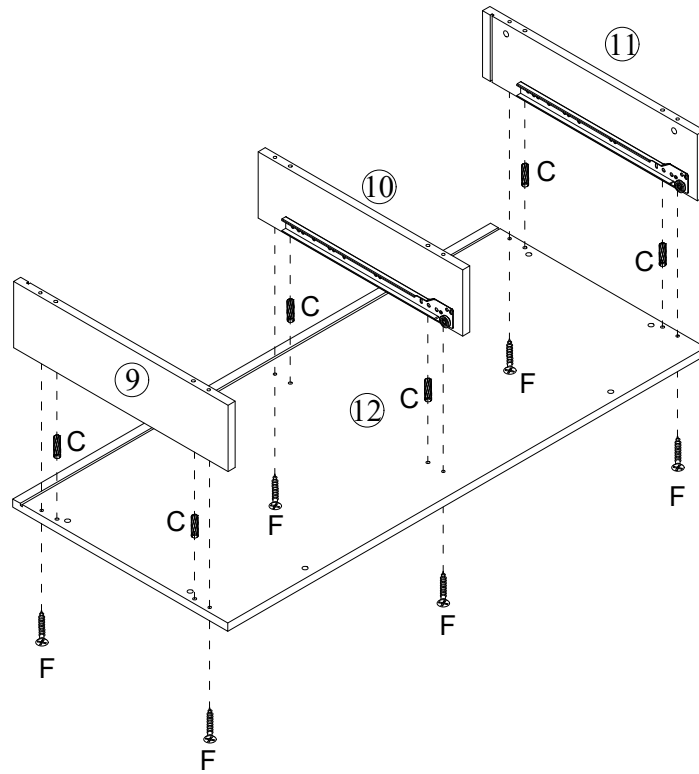
C	D
	
x 2	x 7


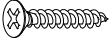
8



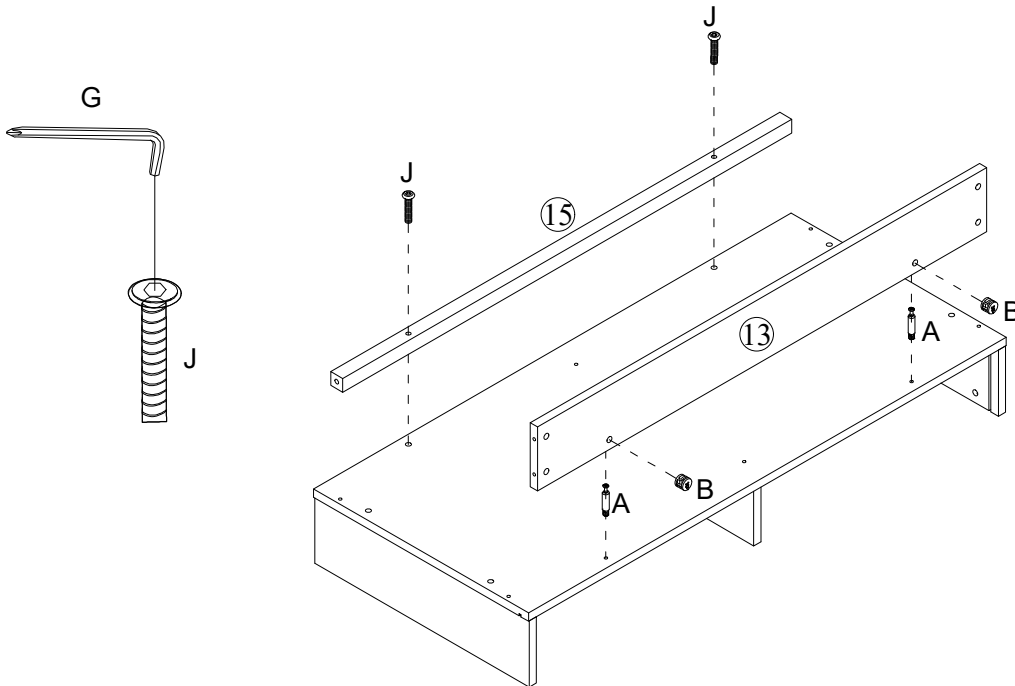
C	D
	
x 5	x 9

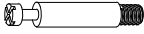



9



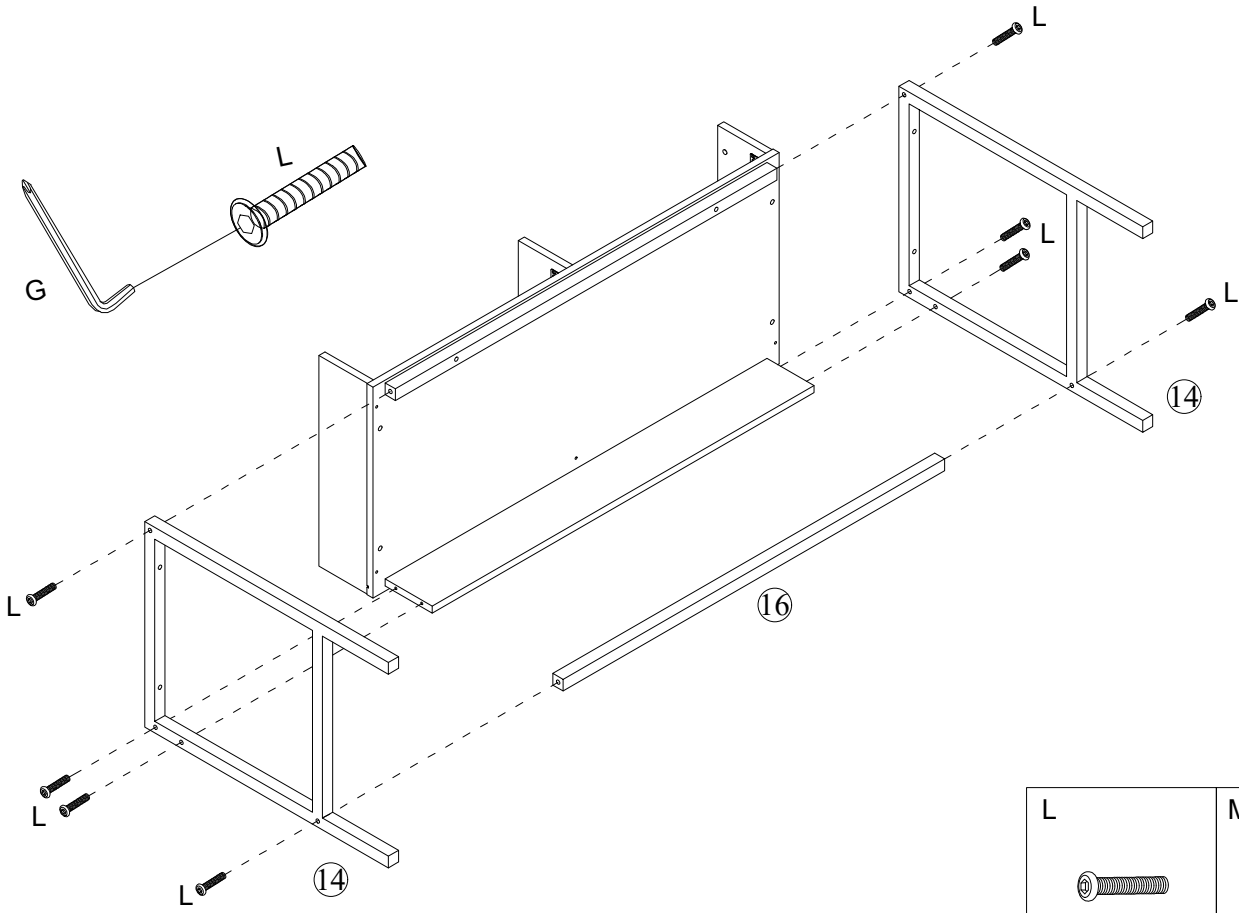
<p>C</p> 	<p>F</p> 
<p>x 6</p>	<p>x 6</p>



10



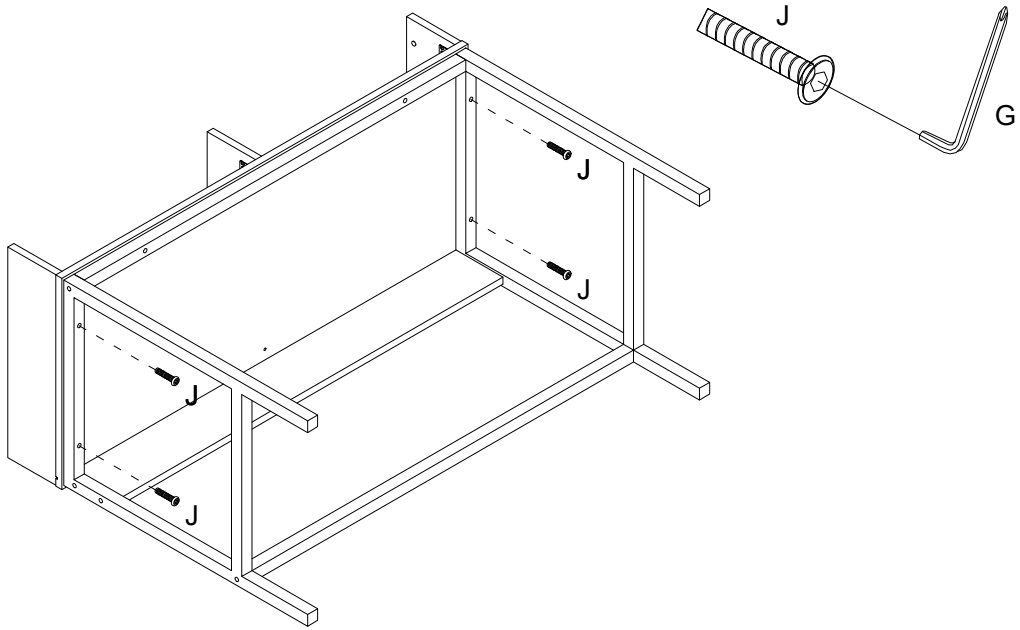
<p>A</p> 	<p>B</p> 	<p>G</p> 	<p>J</p> 
<p>x 2</p>	<p>x 2</p>	<p>x 1</p>	<p>x 2</p>

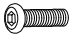
11



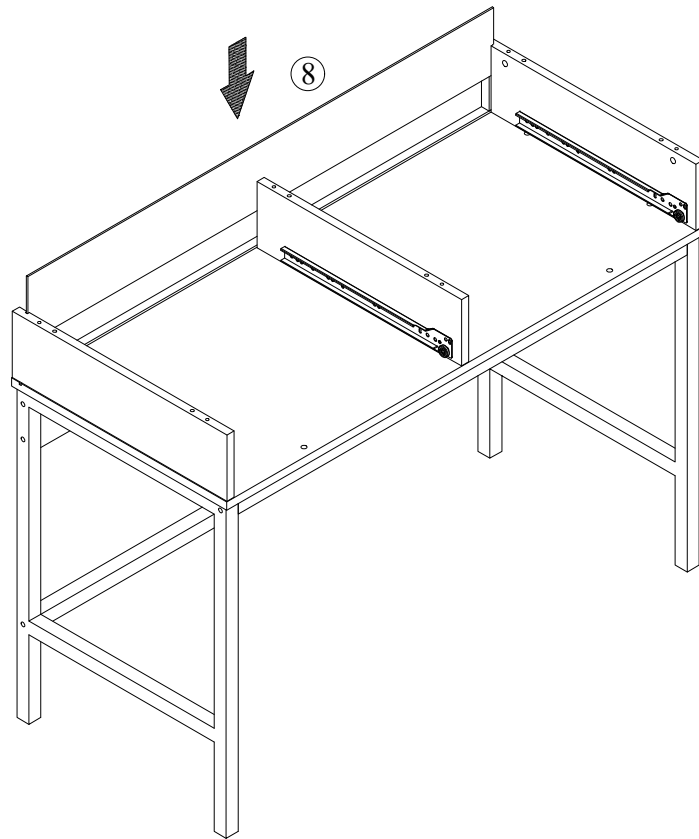
L	M
	
x 8	x 4

12

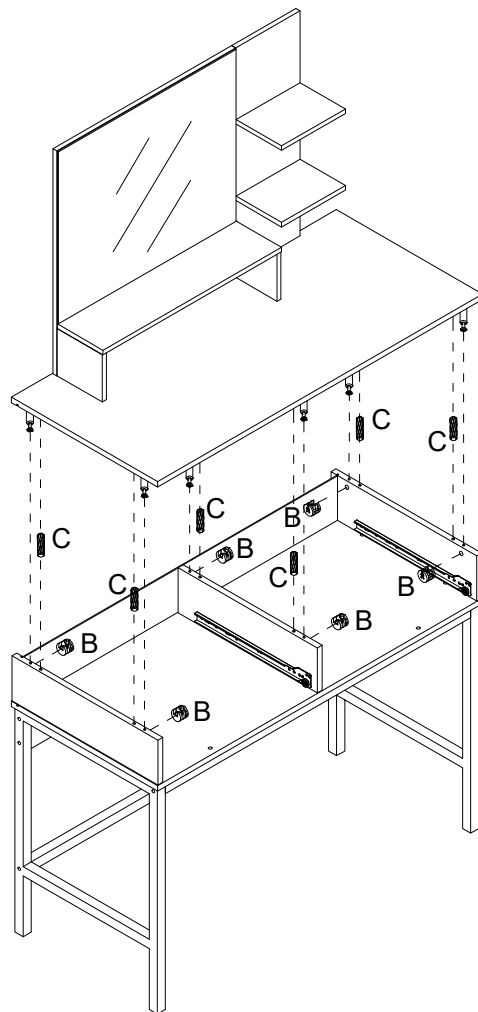




J

x 4

13

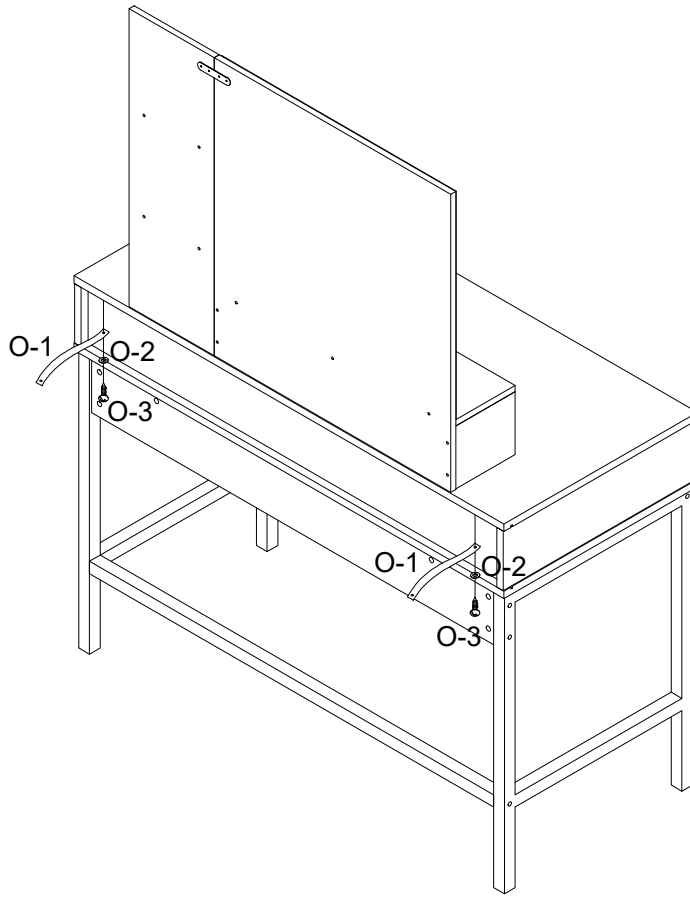





14



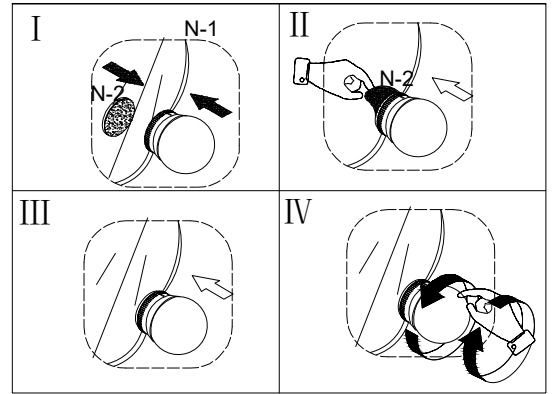
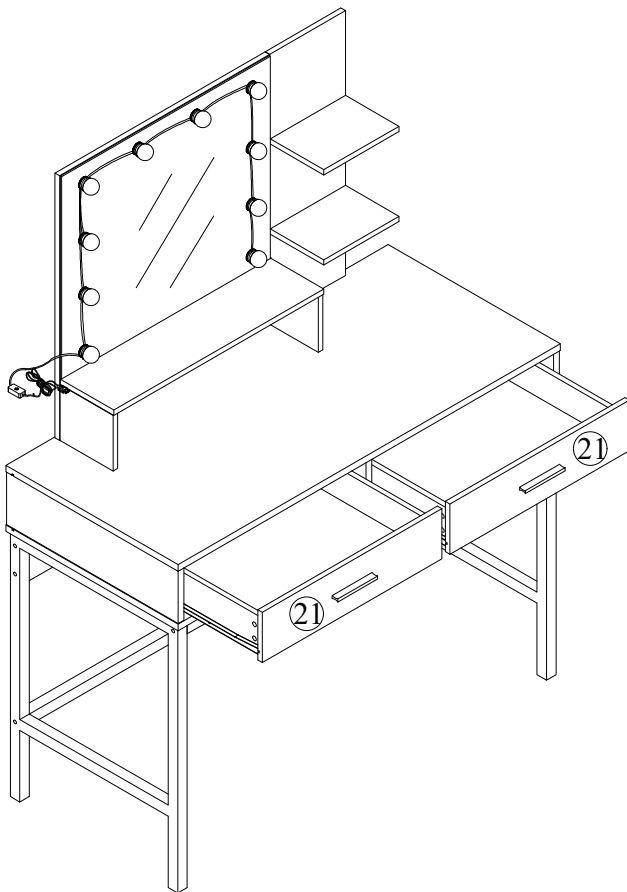
<p><b>B</b></p>  <p>x 6</p>	<p><b>C</b></p>  <p>x 6</p>
--	--

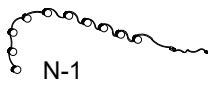
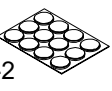
15



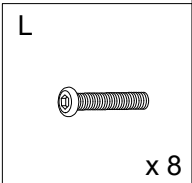
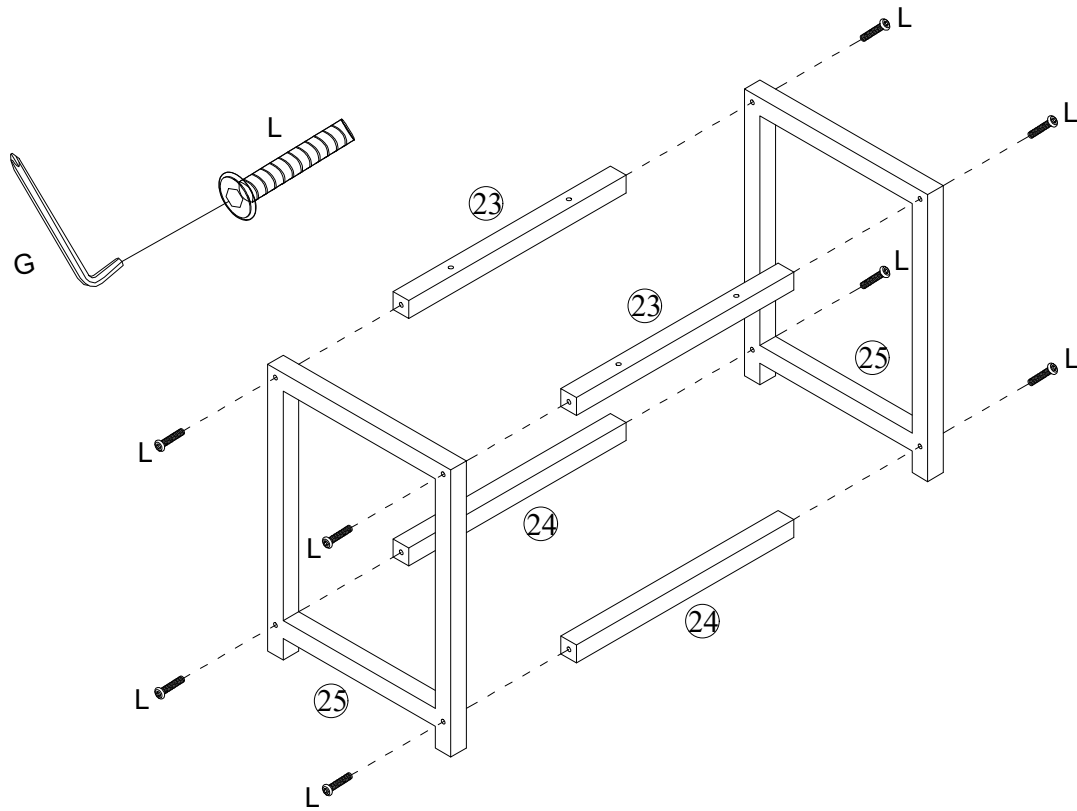
- O
- O-1 O-2 O-3
-   
- x 2

16

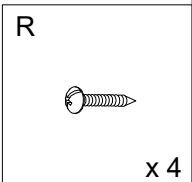
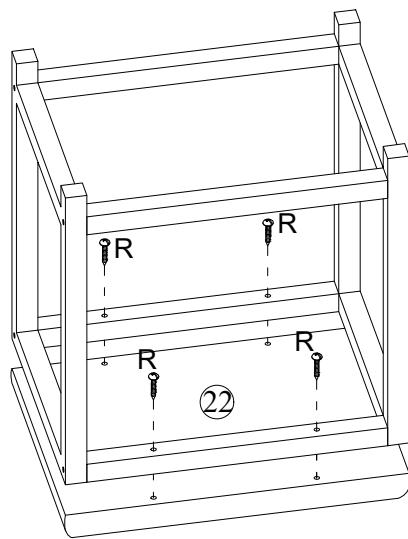


- N
-  
- N-1 N-2
- x 1

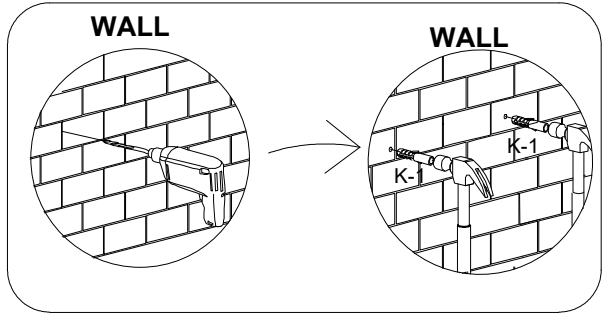
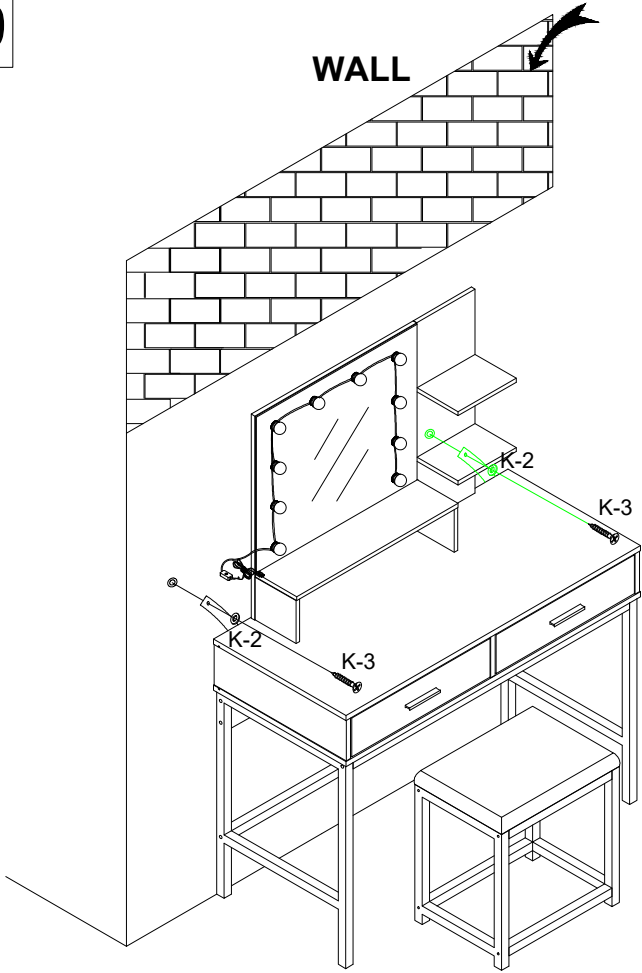
17



18



19



- K
- K-1
  - K-2
  - K-3
- 
- x 2

20

