

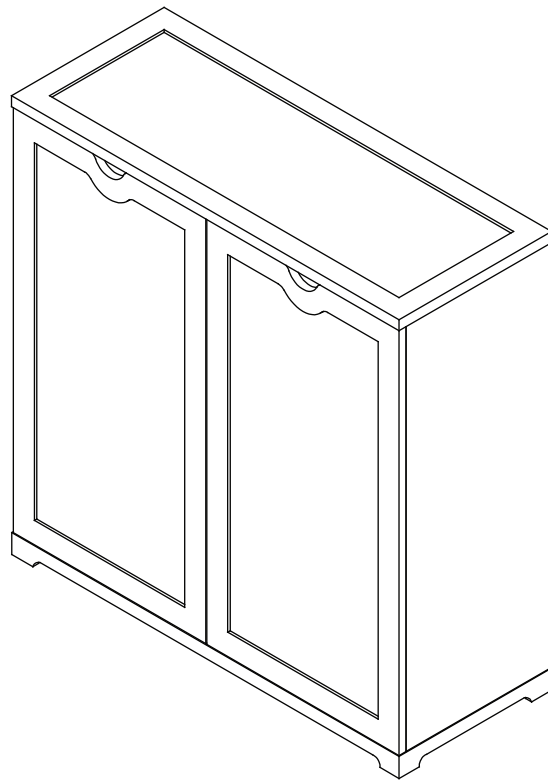
6 TIER WOODEN SHOE DRESSER

WARRANTY

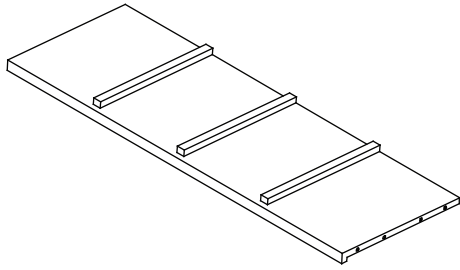
CARE INSTRUCTIONS

Thank you for choosing this 6 TIER WOODEN SHOE DRESSER. With a little care and maintainance, this 6 TIER WOODEN SHOE DRESSER will provide you with comfort and enjoyment for many years to come!

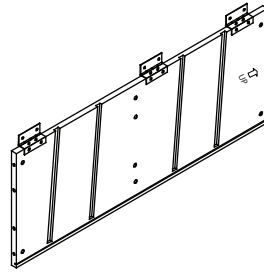
- To clean panels, use clean water on a damp cloth.
- When assembling this 6 TIER WOODEN SHOE DRESSER, please handle all the panels and/or hardware with care to avoid any possibilities of damages and/or injuries.



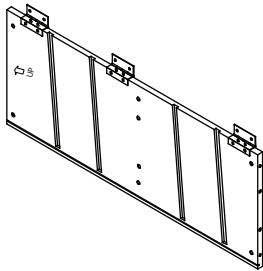
NOTE: Please read all instructions carefully before starting assembly. Also, we recommend that the unit is fully assembled on a level surface. Two people are recommended to assemble this product. DO NOT over torque screws and bolts.



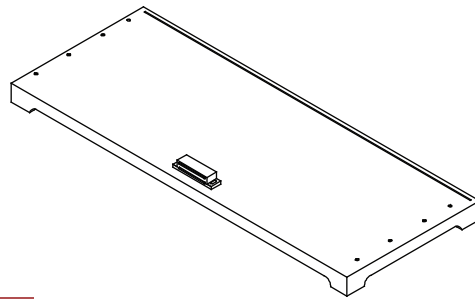
1 MIDDLE PANEL X 1PC



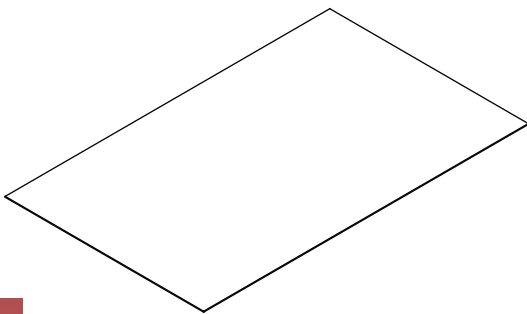
2 LEFT PANEL X 1PC



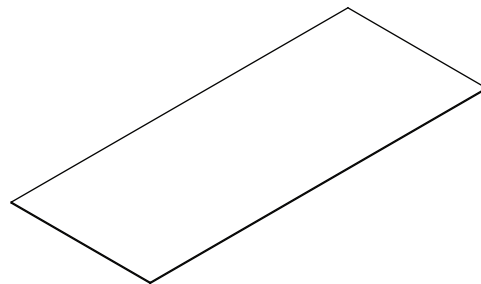
3 RIGHT PANEL X 1PC



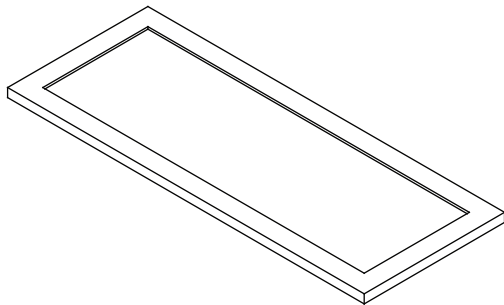
4 BOTTOM PANEL X 1PC



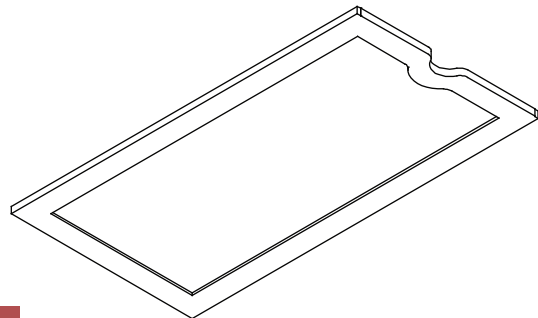
5 BACK PANEL X 1PC



6 BACK PANEL X 1PC

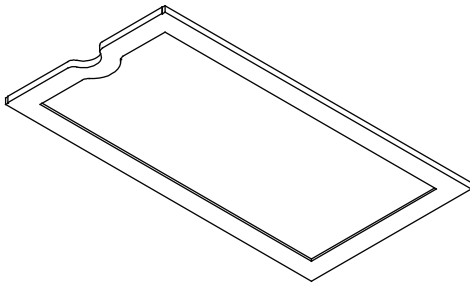


7 TOP PANEL X 1PC



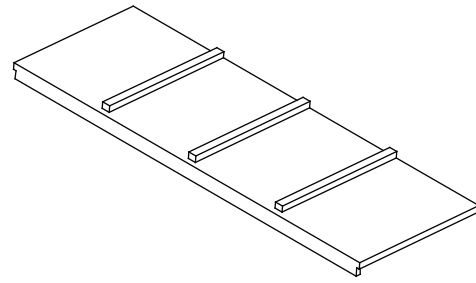
8 LEFT DOOR X 1PC

NOTE: Please read all instructions carefully before starting assembly.
Also, we recommend that the unit is fully assembled on a level surface.
Two people are recommended to assemble this product.
DO NOT over torque screws and bolts.

**9**

RIGHT DOOR

X 1PC

**10**

SHELF

X 4PCS

A  LOCKING BOLT 12+1PCS

B  Small CAM 4+1PCS

C  DOWEL 12+1PCS

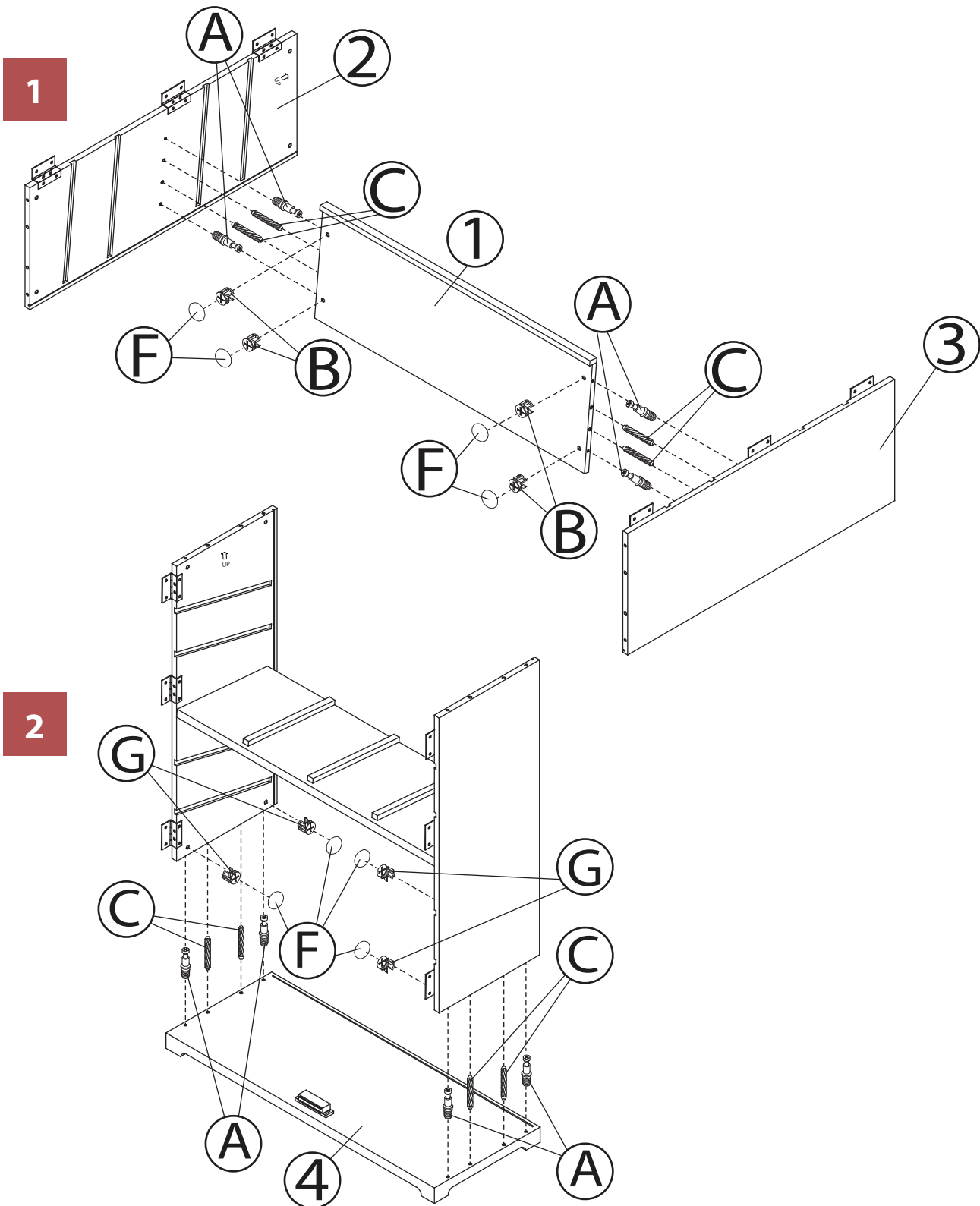
D  SCREW 3+1PCS

E  SCREW 12+1PCS

F  CAP 12+1PCS

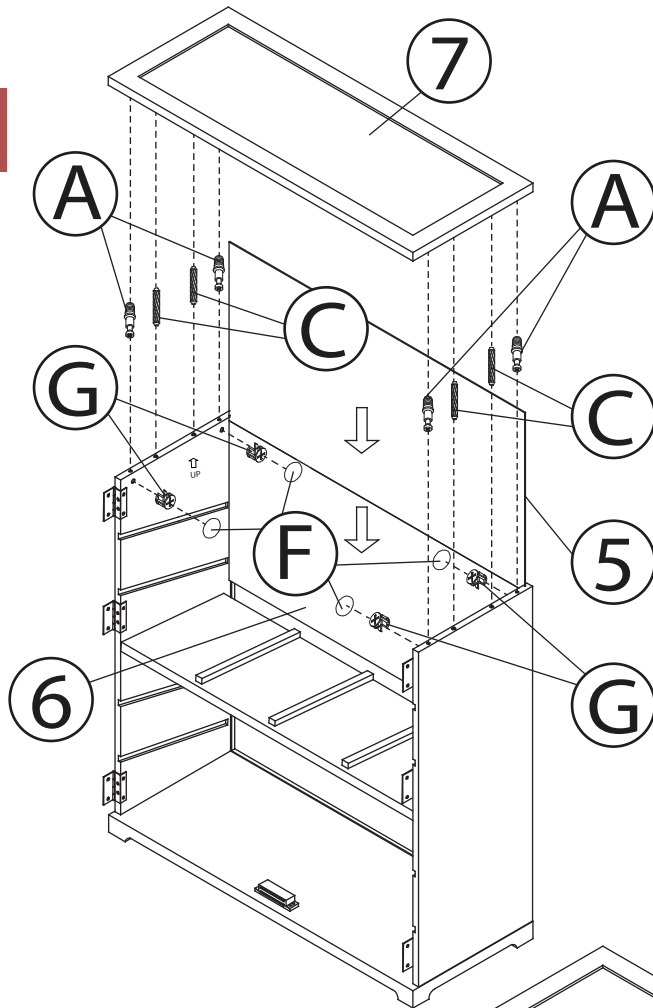
G  Large CAM 8+1PCS

NOTE: Please read all instructions carefully before starting assembly.
Also, we recommend that the unit is fully assembled on a level surface.
Two people are recommended to assemble this product.
DO NOT over torque screws and bolts.

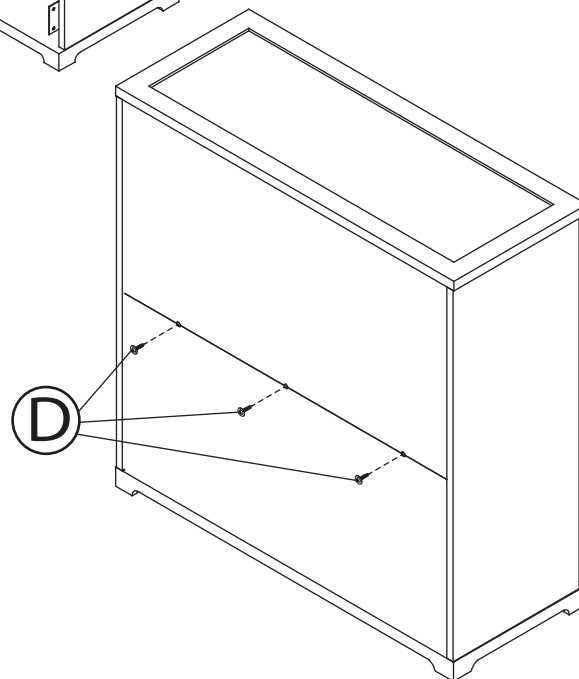


NOTE: Please read all instructions carefully before starting assembly. Also, we recommend that the unit is fully assembled on a level surface. Two people are recommended to assemble this product. DO NOT over torque screws and bolts.

3

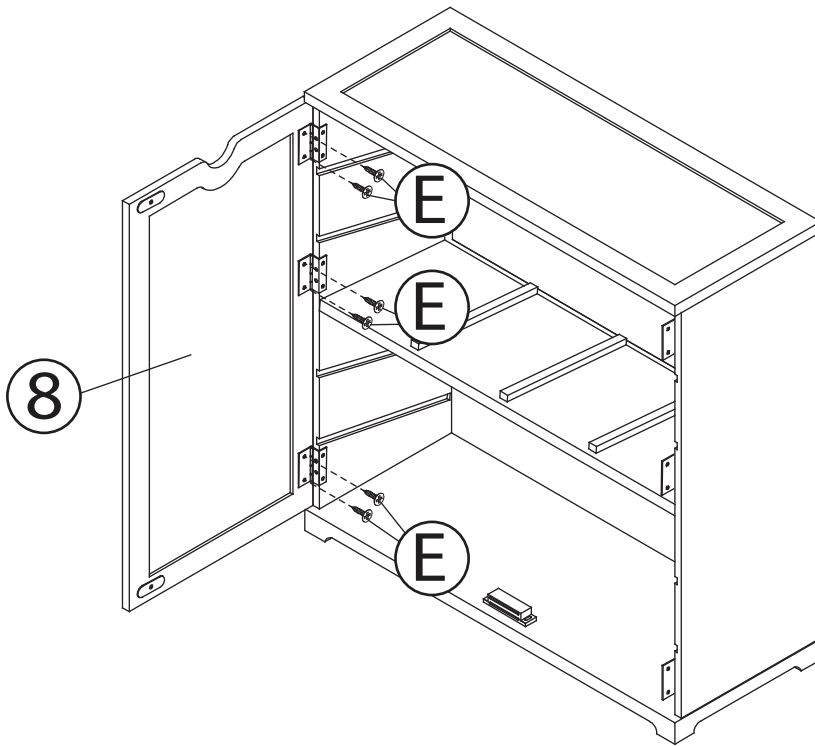


4

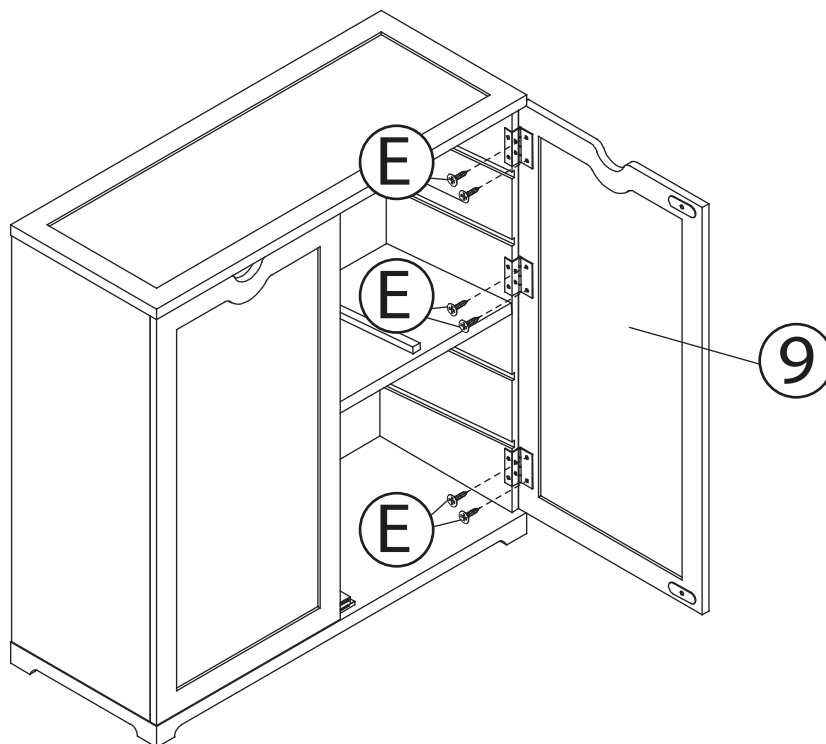


NOTE: Please read all instructions carefully before starting assembly. Also, we recommend that the unit is fully assembled on a level surface. Two people are recommended to assemble this product. DO NOT over torque screws and bolts.

5

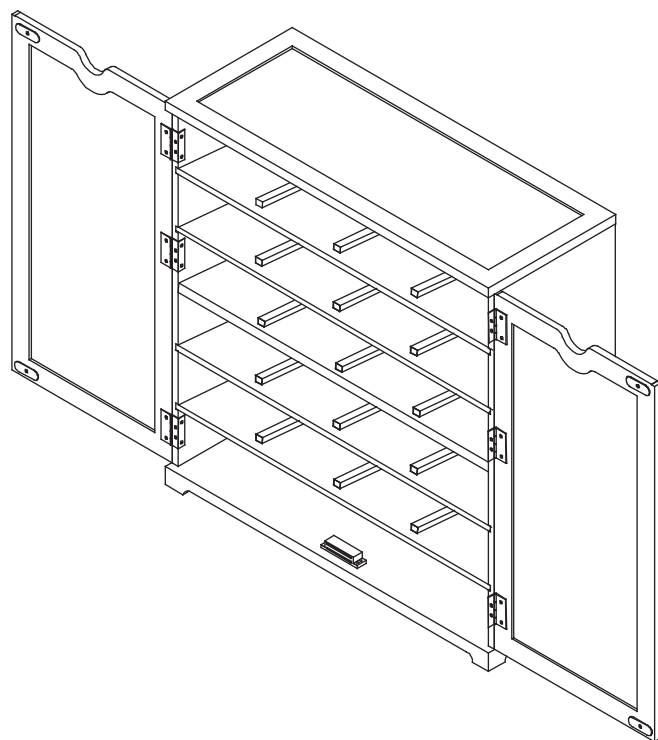
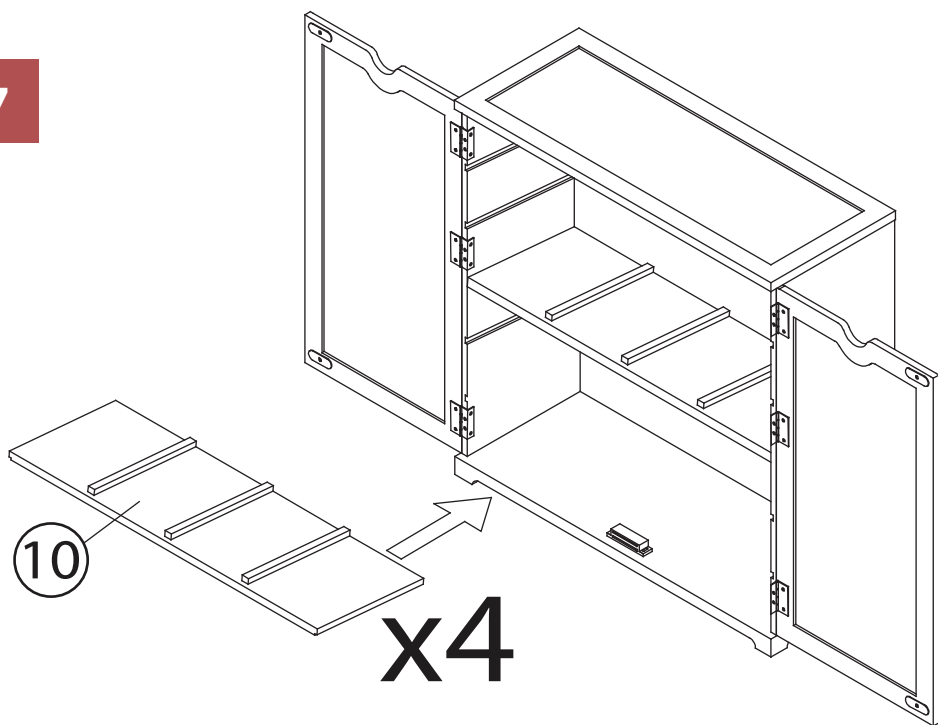


6



NOTE: Please read all instructions carefully before starting assembly. Also, we recommend that the unit is fully assembled on a level surface. Two people are recommended to assemble this product. DO NOT over torque screws and bolts.

7



NOTE: Please read all instructions carefully before starting assembly. Also, we recommend that the unit is fully assembled on a level surface. Two people are recommended to assemble this product. DO NOT over torque screws and bolts.

Please check contents before assembly. If any items are missing or damaged, do not take the unit back to the store.

Call for customer service and we will save you time by correcting any problems directly for you.

NOTE: Please read all instructions carefully before starting assembly. Also, we recommend that the unit is fully assembled on a level surface. Two people are recommended to assemble this product. DO NOT over torque screws and bolts.