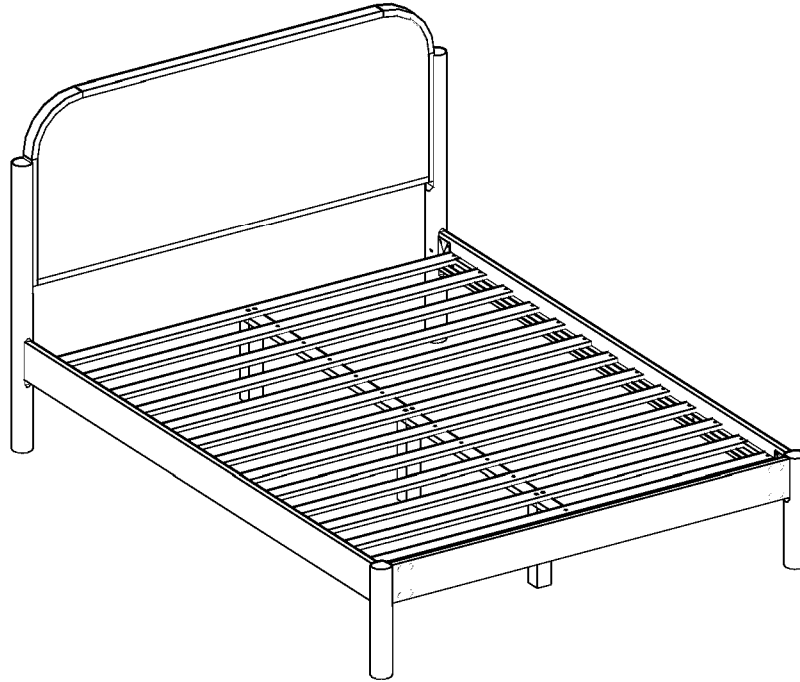
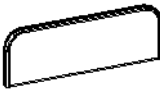




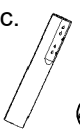



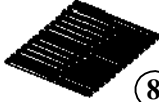







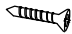
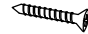


ASSEMBLY INSTRUCTIONS



COMPONENT

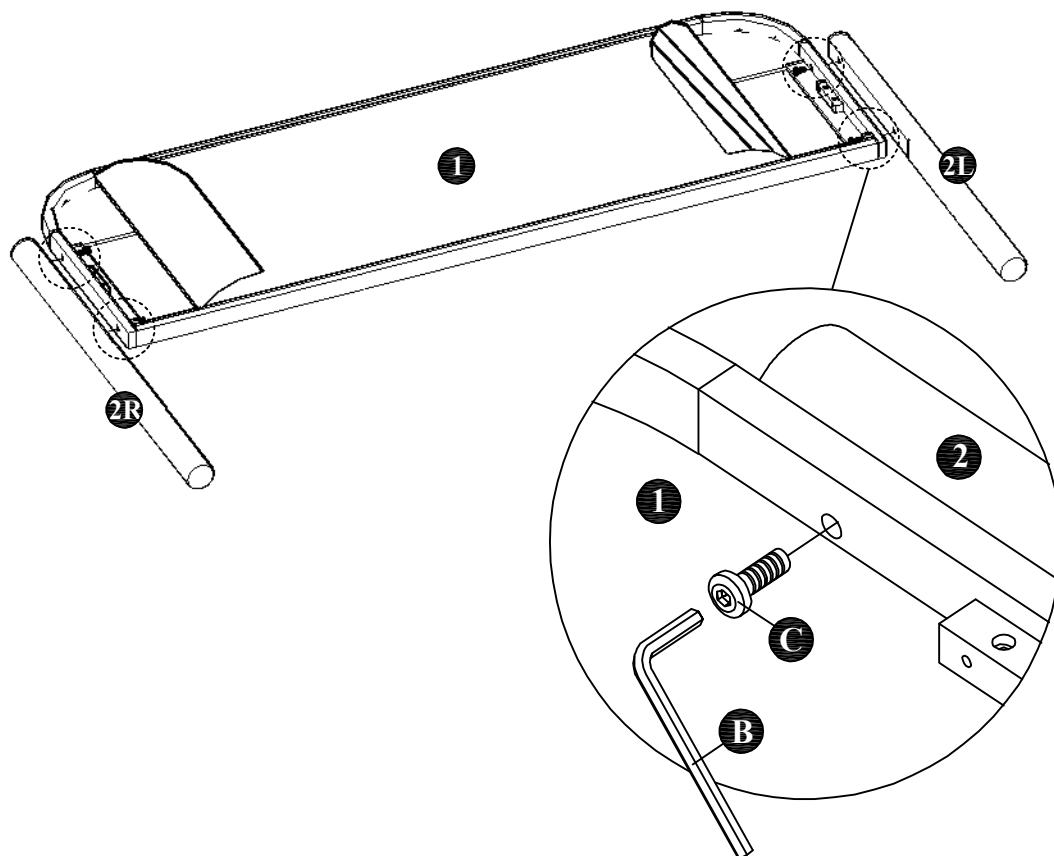
<p>Headboard - 1 pc.</p>  <p>①</p>	<p>Headboard Leg (Left) - 1 pc.</p>  <p>②L</p>	<p>Headboard Leg (Right) - 1 pc.</p>  <p>②R</p>	<p>Footboard - 1 pc.</p>  <p>③</p>	<p>Footboard Leg (Left) - 1 pc.</p>  <p>④L</p>	<p>Footboard Leg (Right) - 1 pc.</p>  <p>④R</p>	<p>Side Rail - 2 pcs.</p>  <p>⑤</p>	<p>Center Rail - 2 pcs.</p>  <p>⑥</p>
<p>Center Leg - 3 pcs.</p>  <p>⑦</p>	<p>Slats - 13 pcs.(1set)</p>  <p>⑧</p>						

HARDWARE

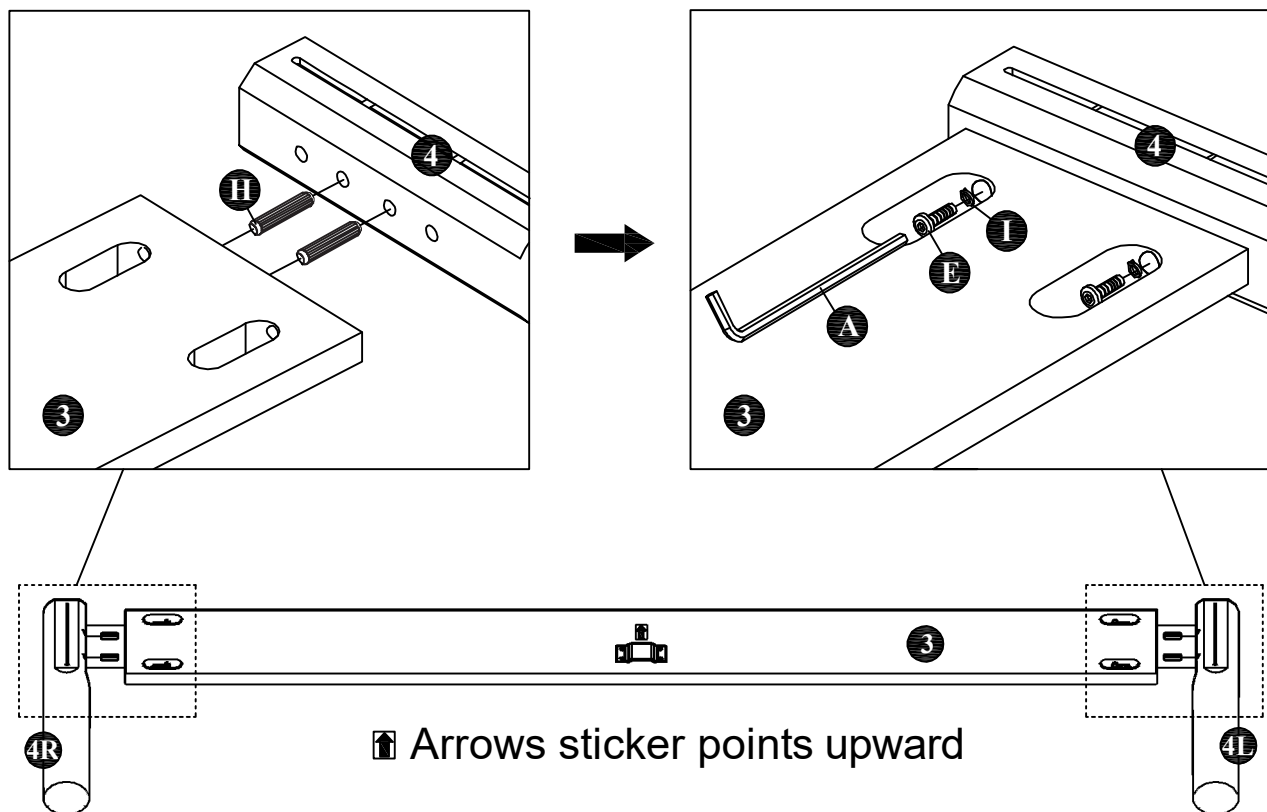
<p>Allen Key M4 (Long Ball Head) - 1 pc.</p>  <p>Ⓐ</p>	<p>Allen Key M5 - 1 pc.</p>  <p>Ⓑ</p>	<p>JCBB Bolt M8 x 40mm - 4 pcs.</p>  <p>Ⓒ</p>	<p>JCBC Bolt M6 x 50mm - 6 pcs.</p>  <p>Ⓓ</p>	<p>JCBC Bolt M6 x 40mm - 4 pcs.</p>  <p>Ⓔ</p>	<p>Wood Screw M3.5 x 16mm - 1 pc.</p>  <p>Ⓕ</p>	<p>Wood Screw M4 x 25mm - 36 pcs.</p>  <p>Ⓖ</p>	<p>Wood Dowel M8 x 30mm - 4 pcs.</p>  <p>Ⓗ</p>
<p>M6 Spring Washer - 4 pcs.</p>  <p>Ⓘ</p>							

ASSEMBLY INSTRUCTIONS

STEP 1 :

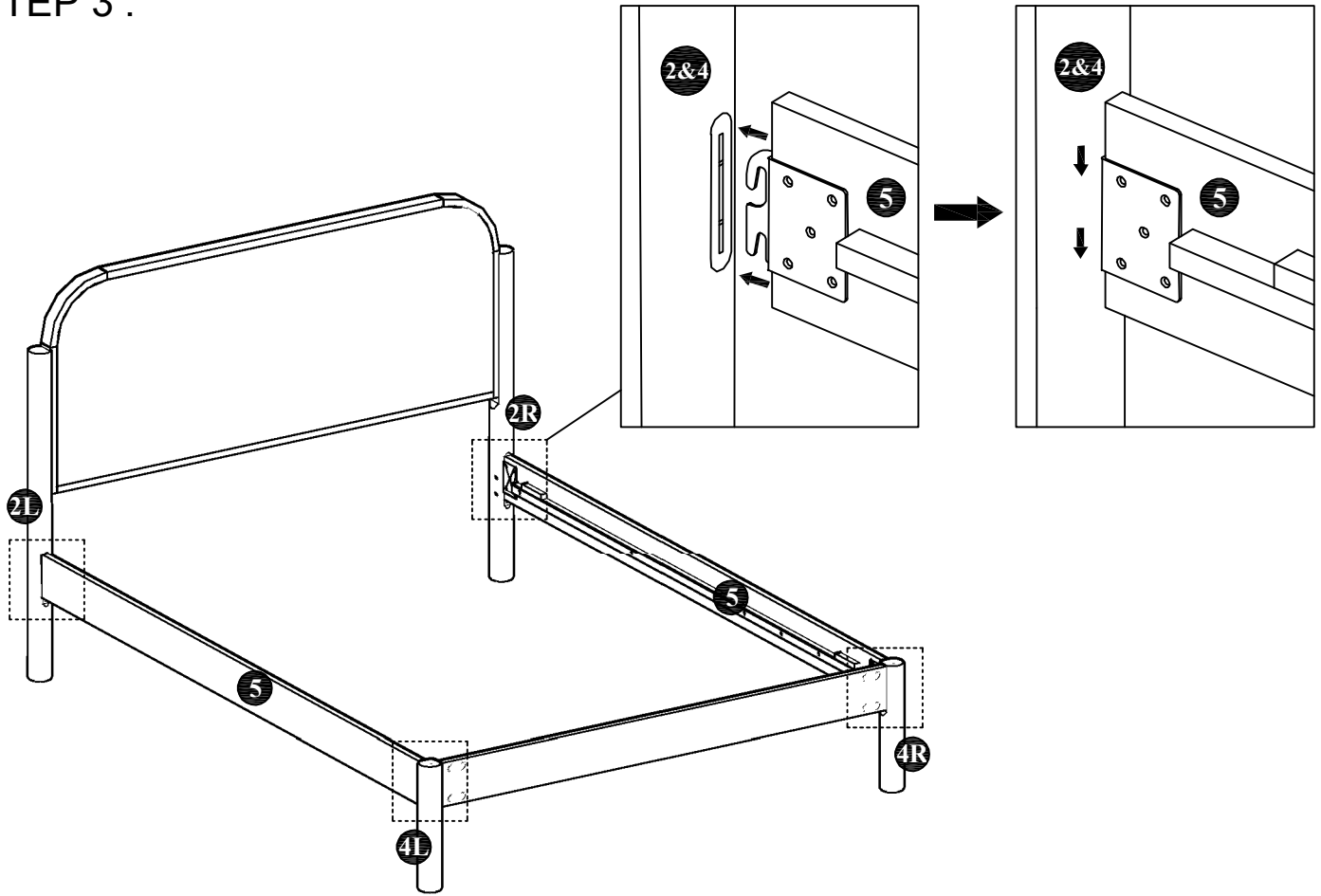


STEP 2 :

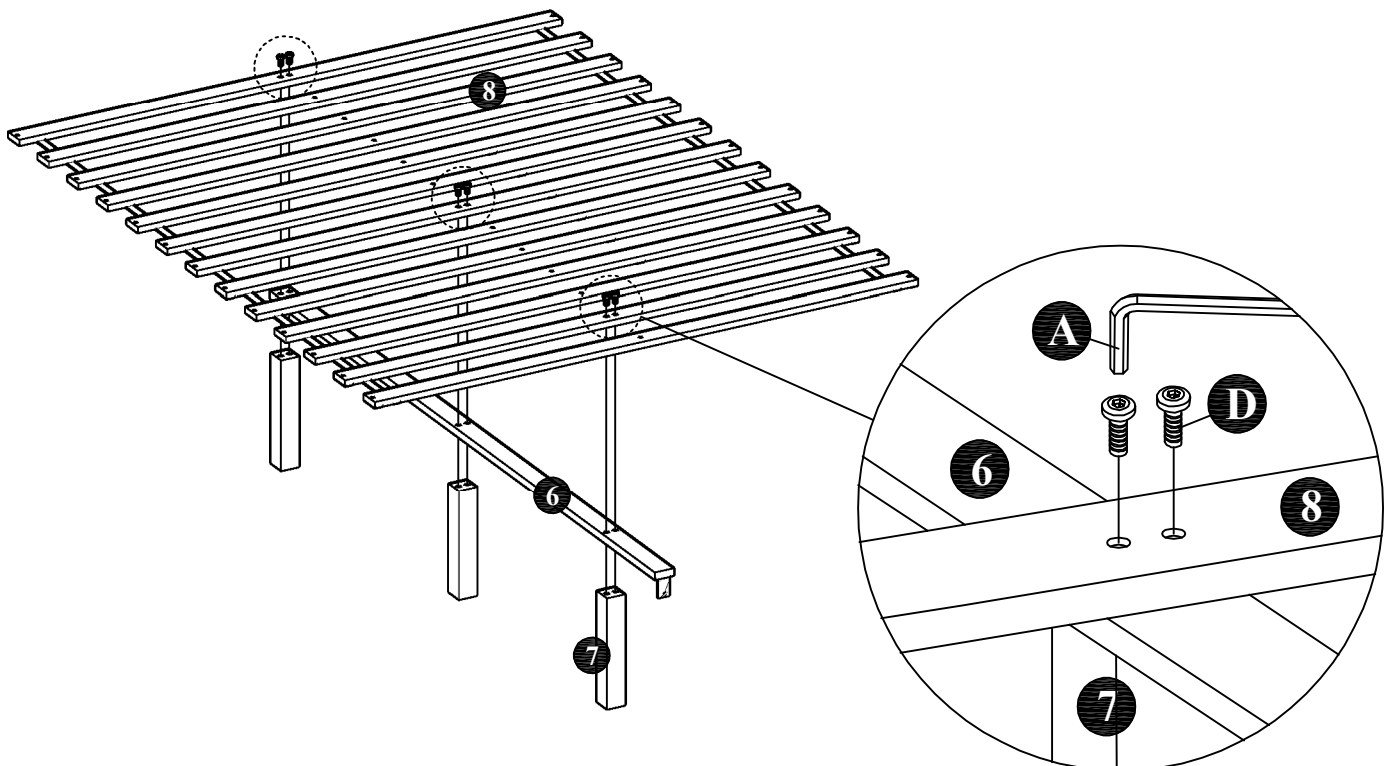


ASSEMBLY INSTRUCTIONS

STEP 3 :

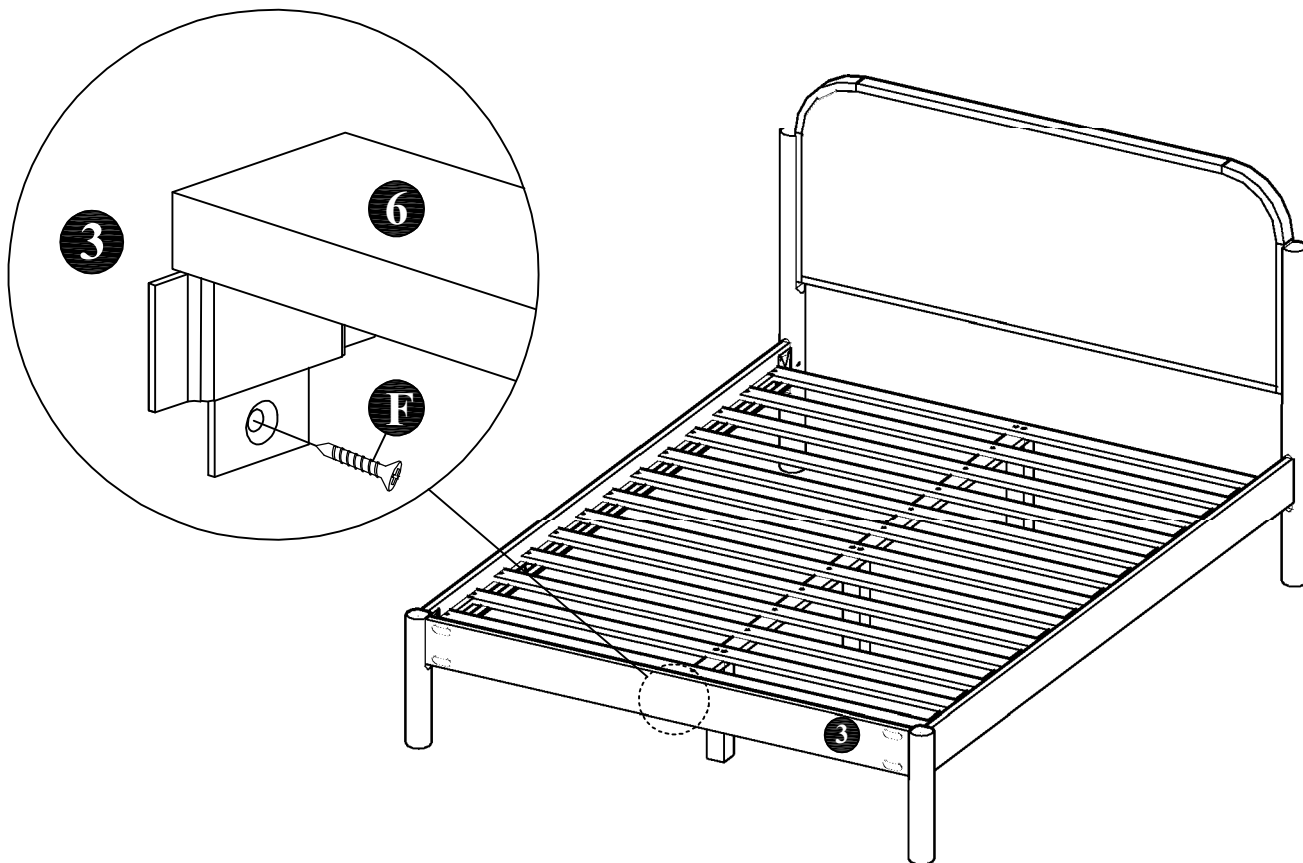


STEP 4 :

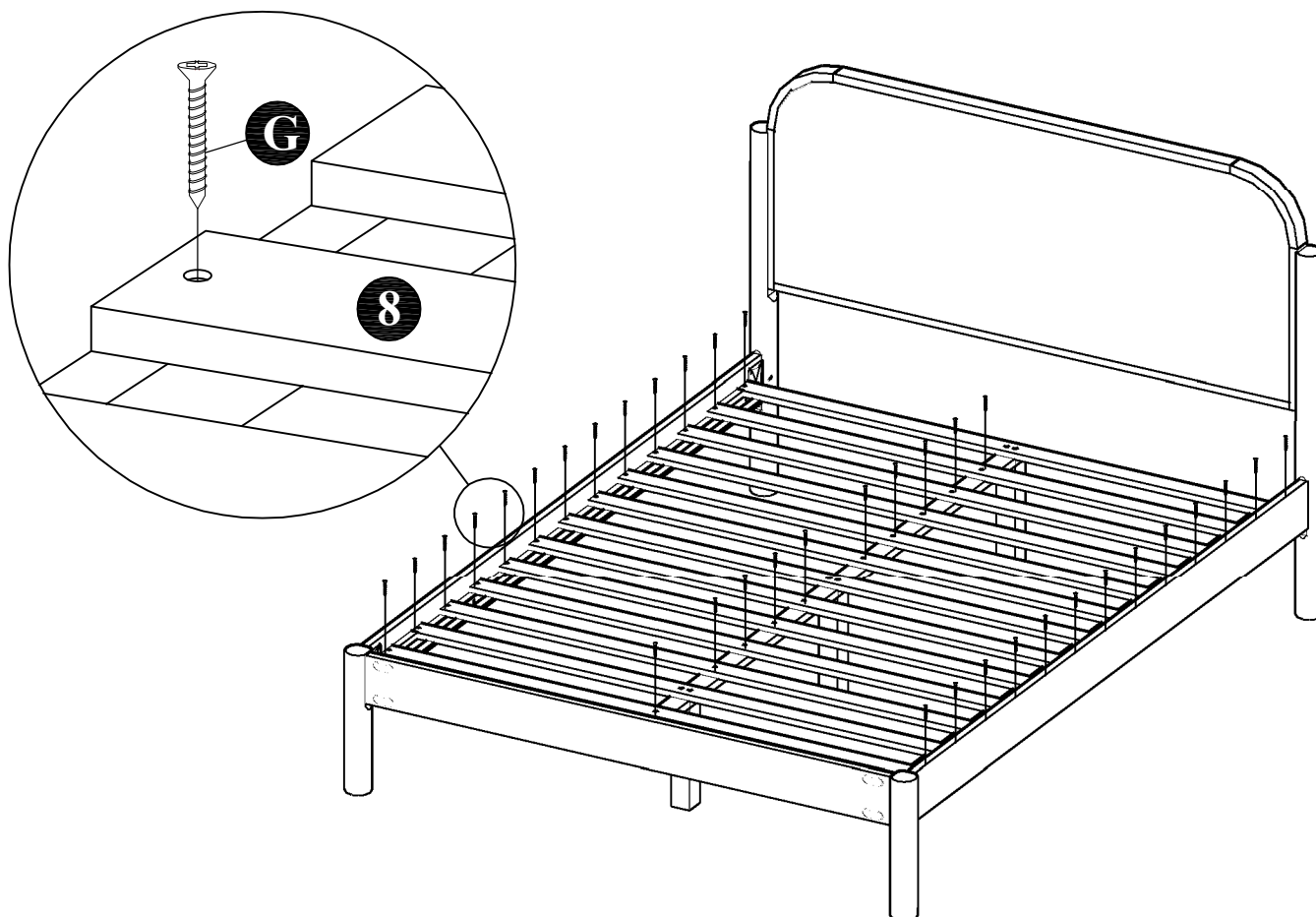


ASSEMBLY INSTRUCTIONS

STEP 5 :



STEP 6 :



ASSEMBLY INSTRUCTIONS

COMPLETE VIEW

IMPORTANT

Please lift up the bed to move
with 2 or more people.

DO NOT DRAG THE BED!

