



FEEDBACK ★★★★★

Thank you very much for purchasing from us.

We have always been trying to provide the best service and reliable products for every customer.

However, accident may happen sometimes, please contact us to resolve any issue before leaving a negative feedback.

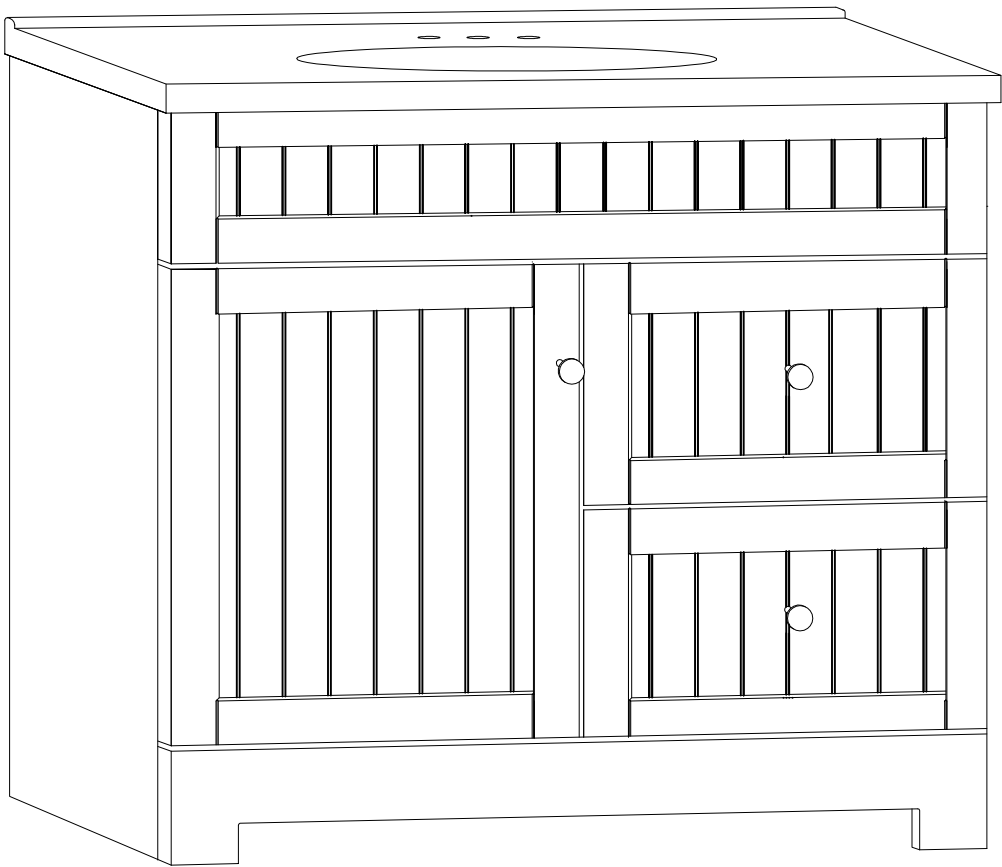
Many thanks and welcome to our shop again!

**Contact number:** 626-3625309

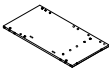

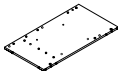

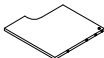



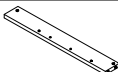


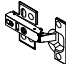
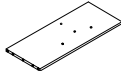


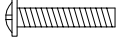
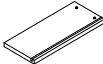

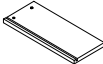



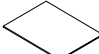

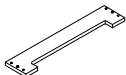






**E-mail:** support@ec-export.com

[www.ec-export.com](http://www.ec-export.com)







# PARTS LIST

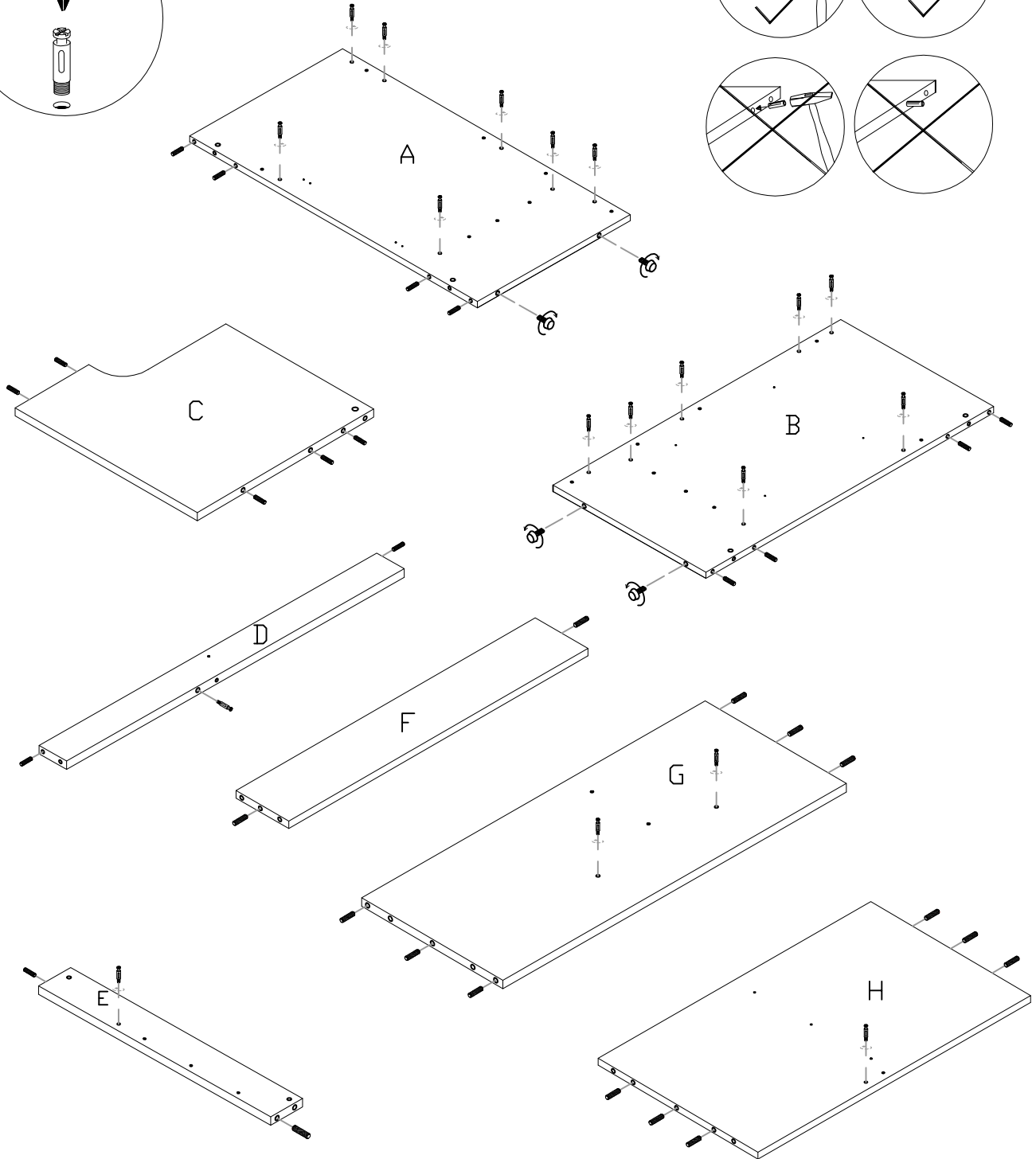
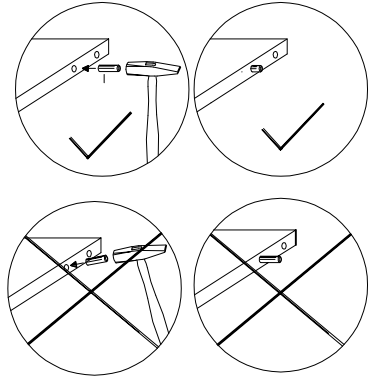
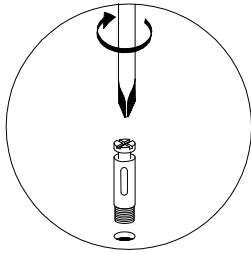
PARTS LIST			HARDWARE LIST		
NO.	DESCRIPTION	QTY	NO.	DESCRIPTION	QTY
A		1	a	 CAM LOCK	39
B		1	b	 CAM SCREW(A)	31
C		1	c	 CAM SCREW(B)	8
D		1	d	 SLIDE	4
E		1	e	 WOODEN DOWEL	31
F		1	f	 Hinge	2
G		1	g	 HASCREW (A4X20mm)	2
H		1	h	 HASCREW (A4X24mm)	1
I		2	i	 SCREW(M4X14mm)	36
J		2	j	 SCREW(M4X25mm)	1
K		2	k	 SCREW(M4X35mm)	3
L		2	l		3
M		1	m		4
N		1	n	 STICKER	8
O		1	o		1
P		2			
Q					
R					

# INSTALLATIONS

## STEP 1

b	 CAM SCREW(A)	X19
m		X4

e		X31
---	---	-----



# INSTALLATIONS

## STEP 2

b

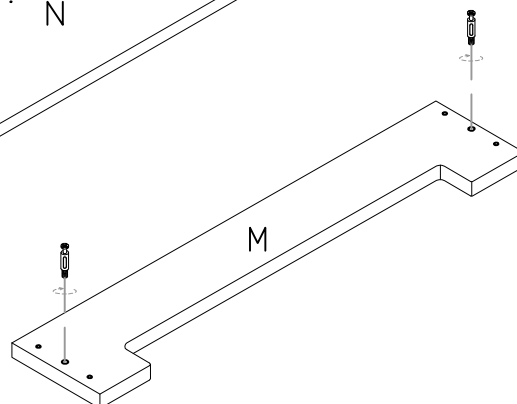
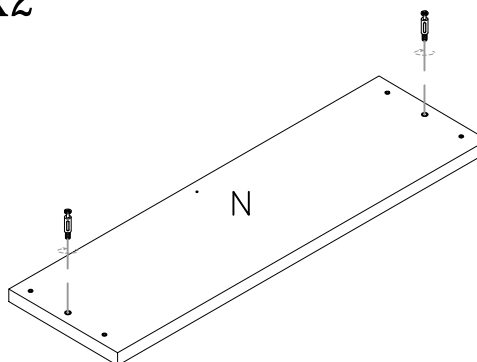
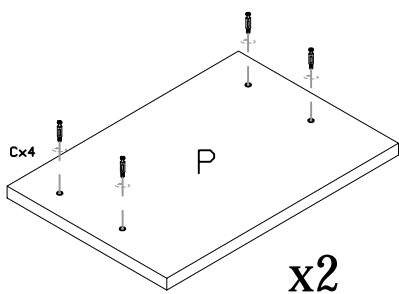
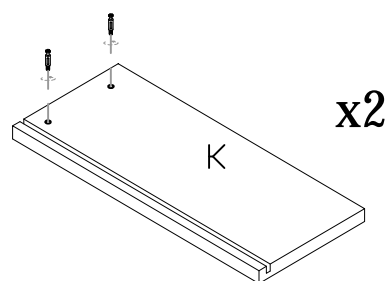
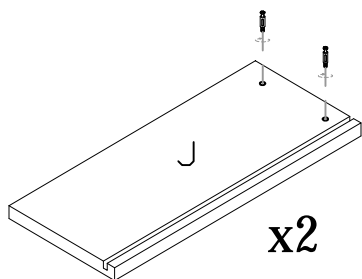
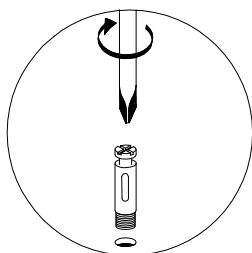


CAM SCREW(A) X12

C



CAM SCREW(B) X8

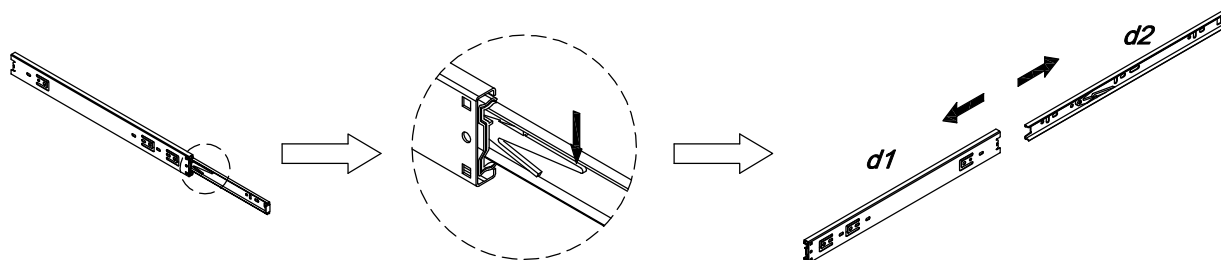


## STEP 3

d



X4



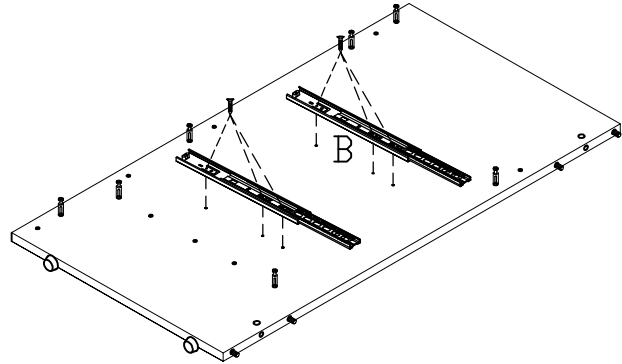
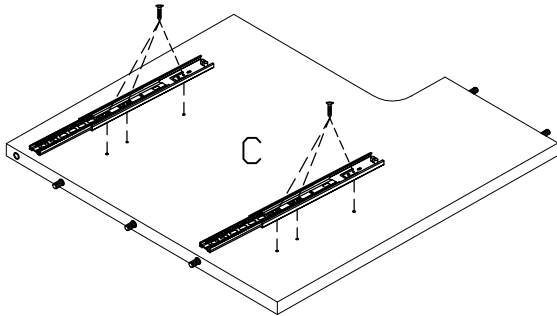
# INSTALLATIONS

**STEP 4**



SCREW(M4X14mm)

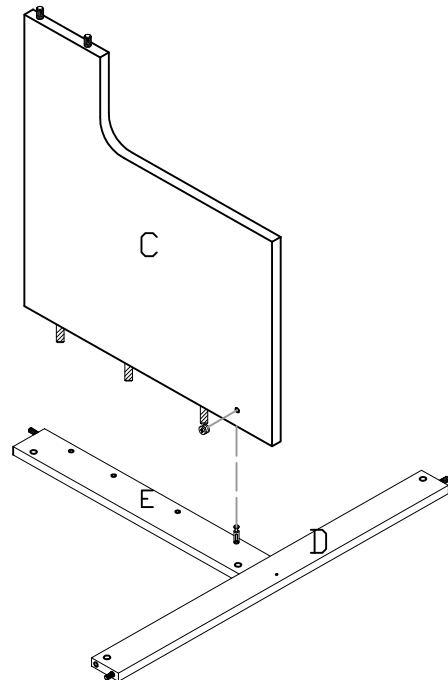
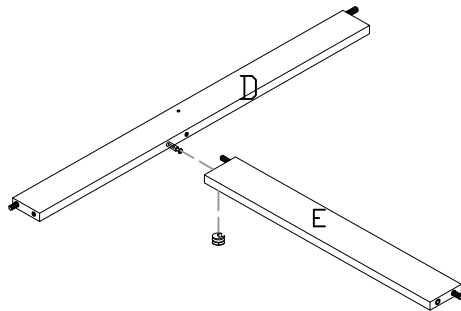
X12



**STEP 5**



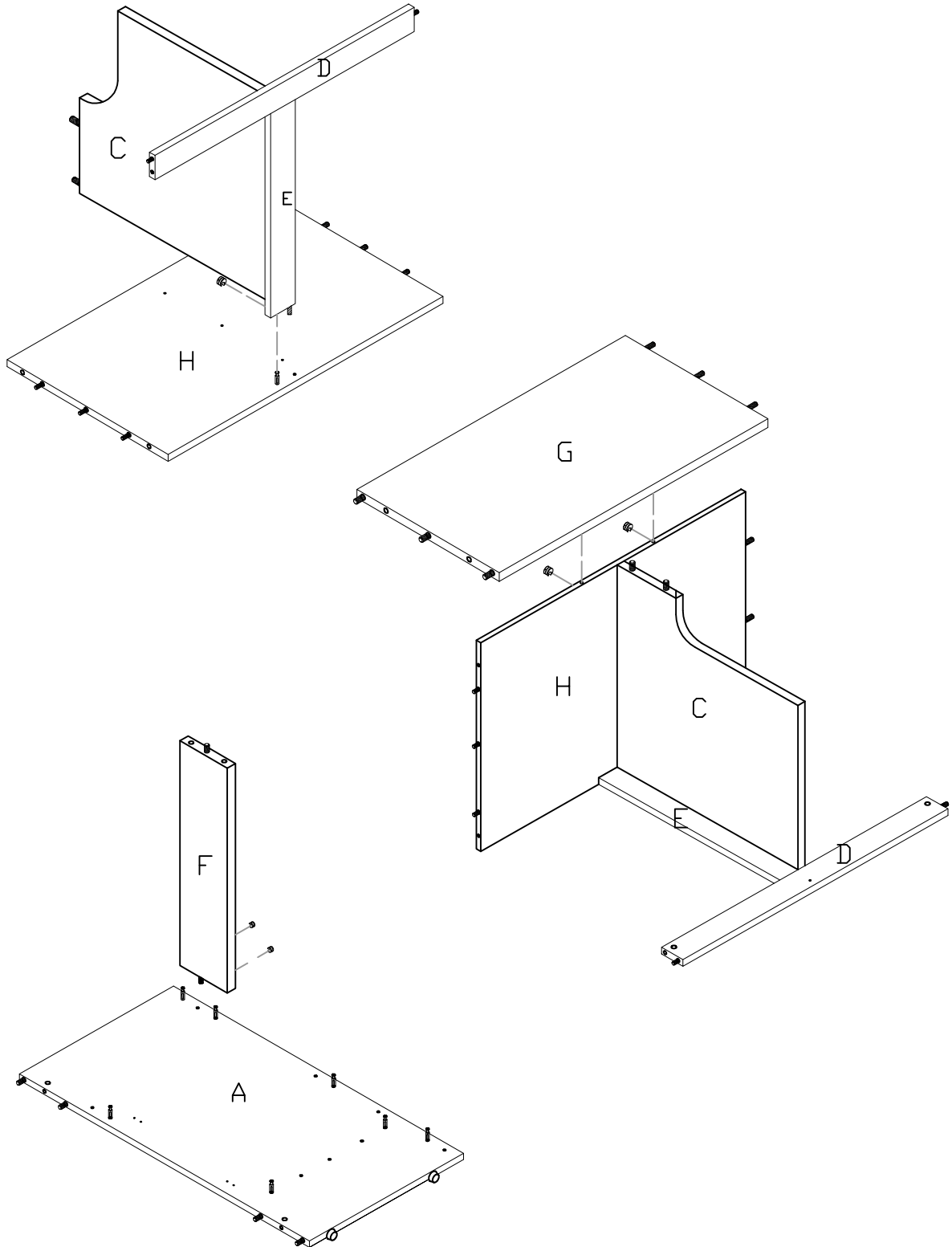
X2



# INSTALLATIONS

## STEP 6


Q		X5
---	---	----



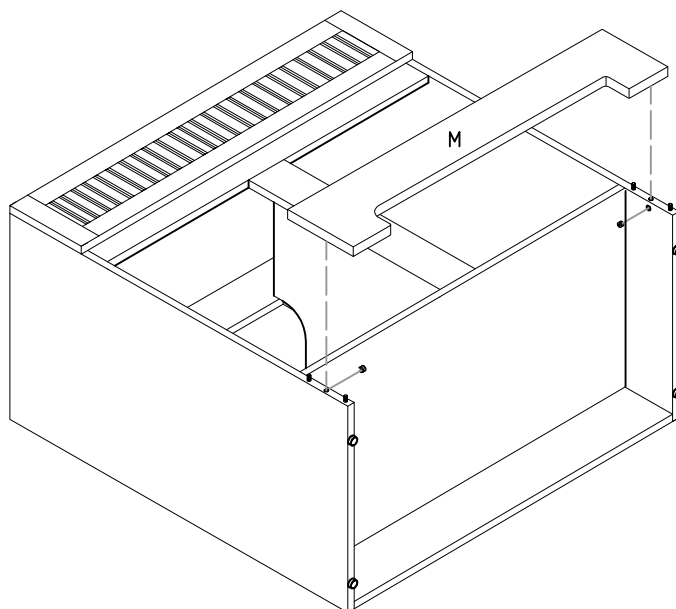
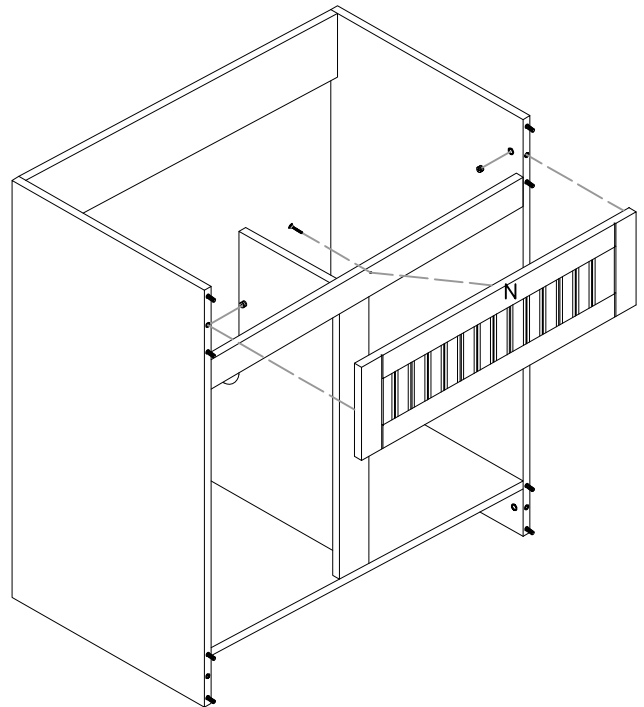
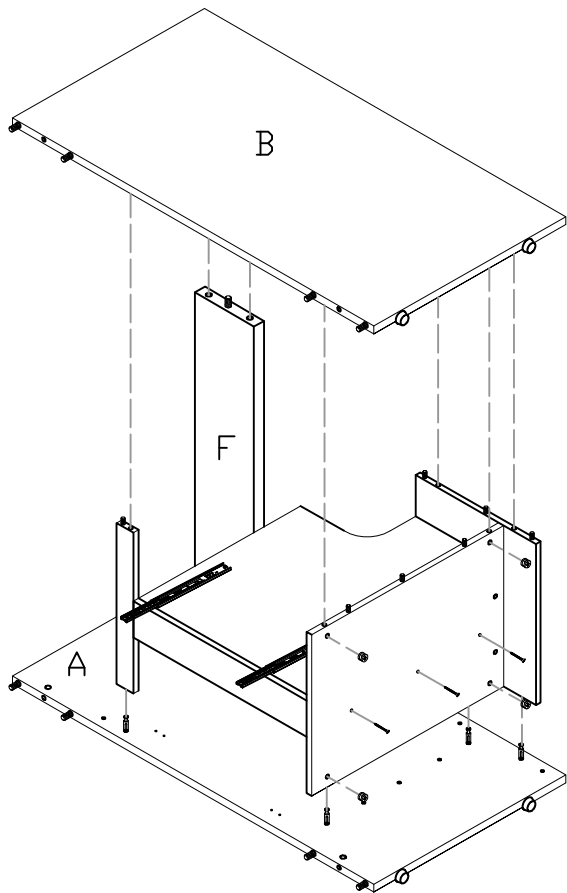
# INSTALLATIONS

## STEP 7

a		X16
---	---	-----

k		SCREW(M4X35mm)	X3
---	---	----------------	----

J		SCREW(M4X25mm)	X1
---	---	----------------	----



# INSTALLATIONS

## STEP 8

a		X16
---	--	-----

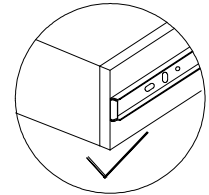
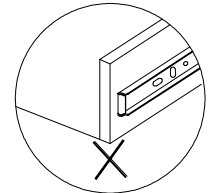
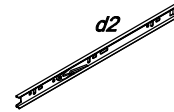
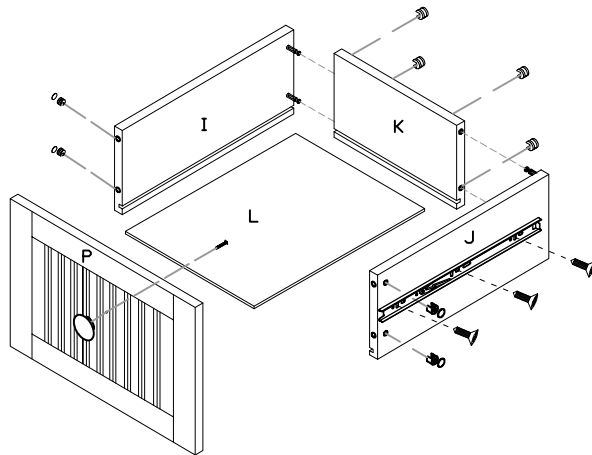
g	HASCREW (A4X20mm)	X2
---	-------------------	----

i	SCREW(M4X14mm)	X12
---	----------------	-----

n	STICKER	X8
---	---------	----

l		X2
---	--	----

x2



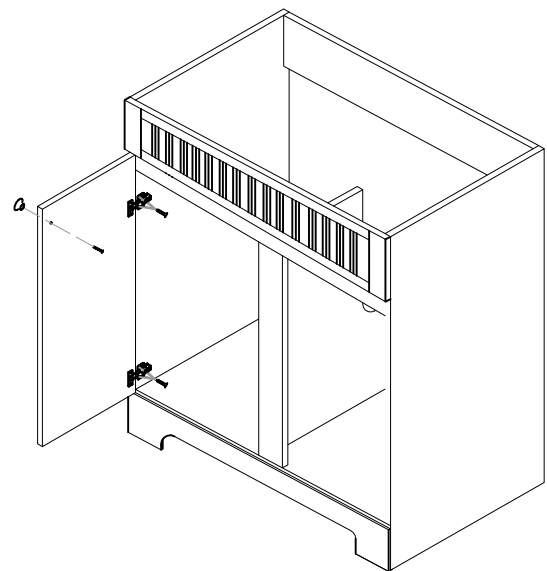
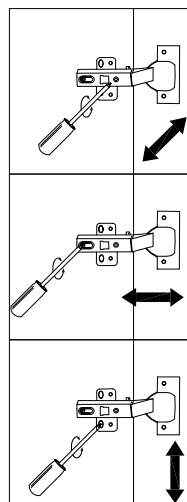
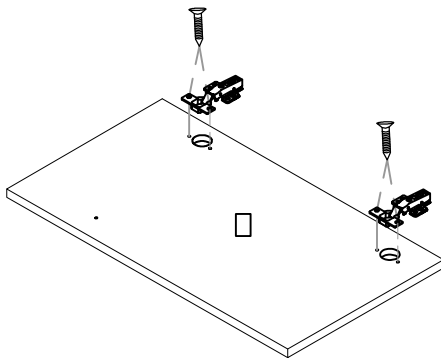
## STEP 9

h	HASCREW (A4X24mm)	X1
---	-------------------	----

i	SCREW(M4X14mm)	X12
---	----------------	-----

l		X1
---	--	----

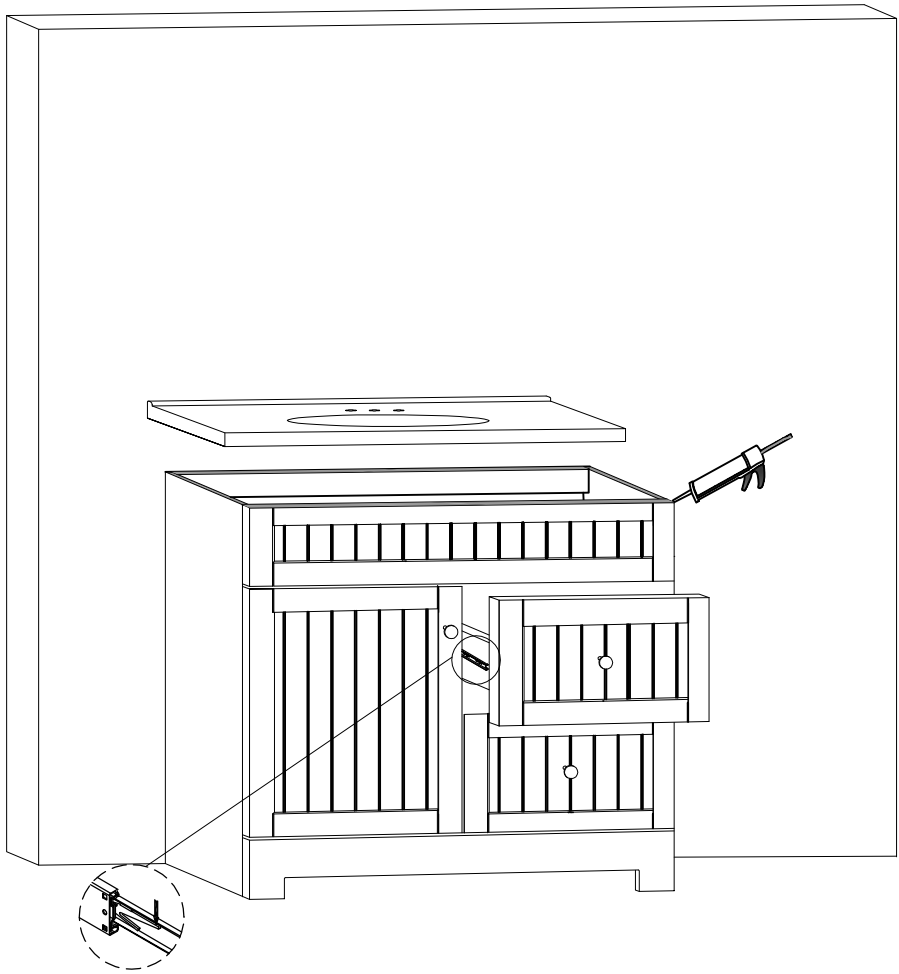
f	Hinge	X2
---	-------	----



# INSTALLATIONS

STEP 10

○		X1
---	---	----



# CARE AND CLEANING

1. Many cleansers contain abrasive and chemical substance which is not suitable for cleaning stainless steel, enamel, plating or plastic products. You may use mild cleansers or soaps to clean the surfaces. Wipe any splashes of cleaner solutions from the surface with a clean soft cloth.
2. Maintain ventilation in the bathroom and separate the dry area from the damp one if conditions permit. Try to open the door and windows of the bathroom to maintain adequate ventilation.
3. This cabinet is built to withstand normal bathroom humidity. For best results, keep this vanity dry and take necessary steps to minimize bathroom humidity by opening windows and doors and using the exhaust fan (if
4. To maintain the cabinet door, clean and wipe the door regularly with a soft cloth. Wipe condensation with a dry, soft cloth. Keep away from fires and high temperatures.
5. Please do not sit, lean or step on the basin cabinet.

THKFBV015

INSTALLATION INSTRUCTIONS