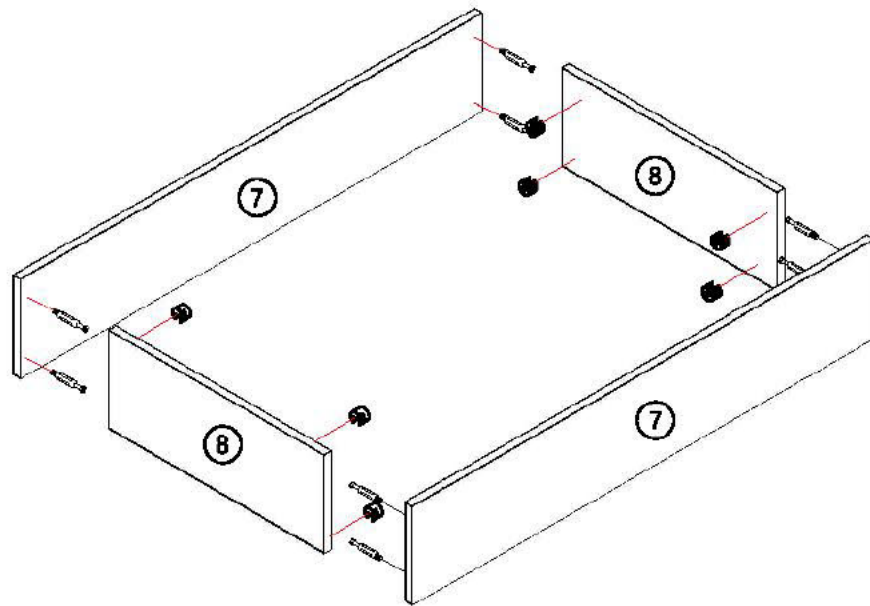
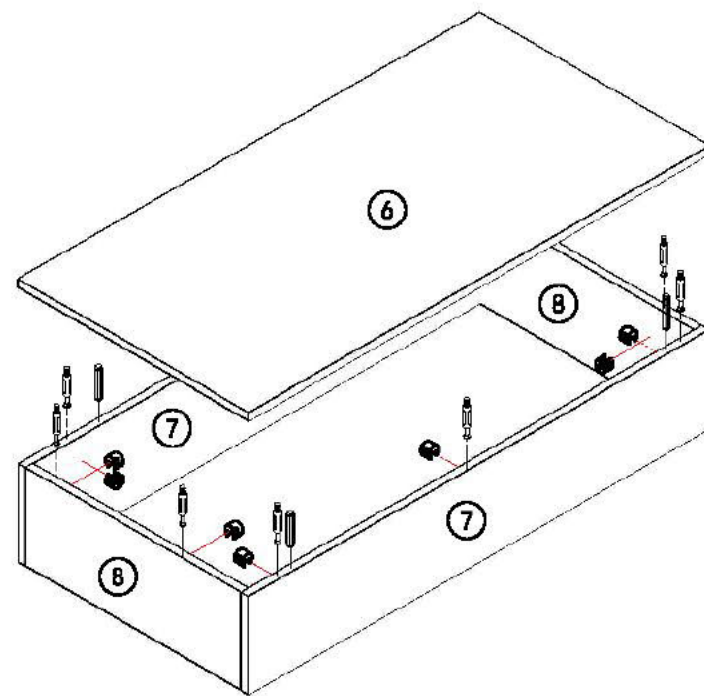


1



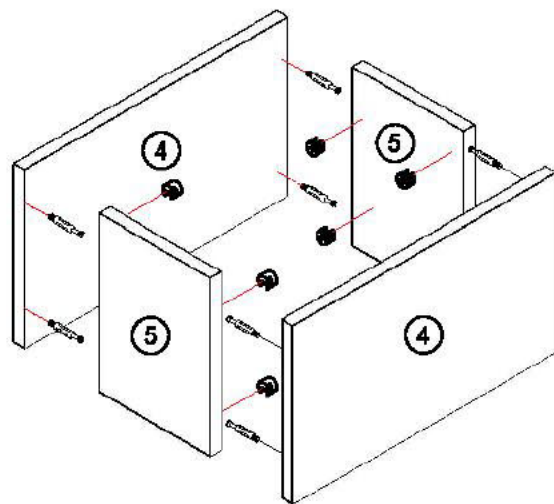
A*8

2



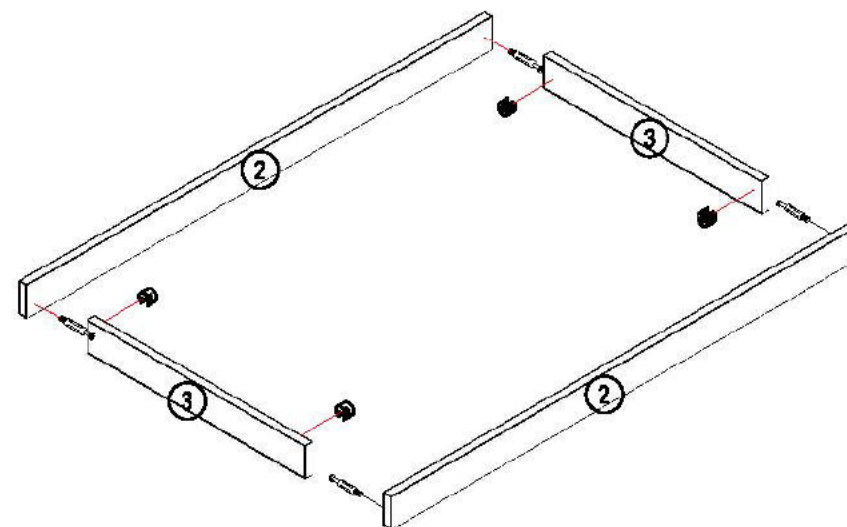
A*10 B*4

3



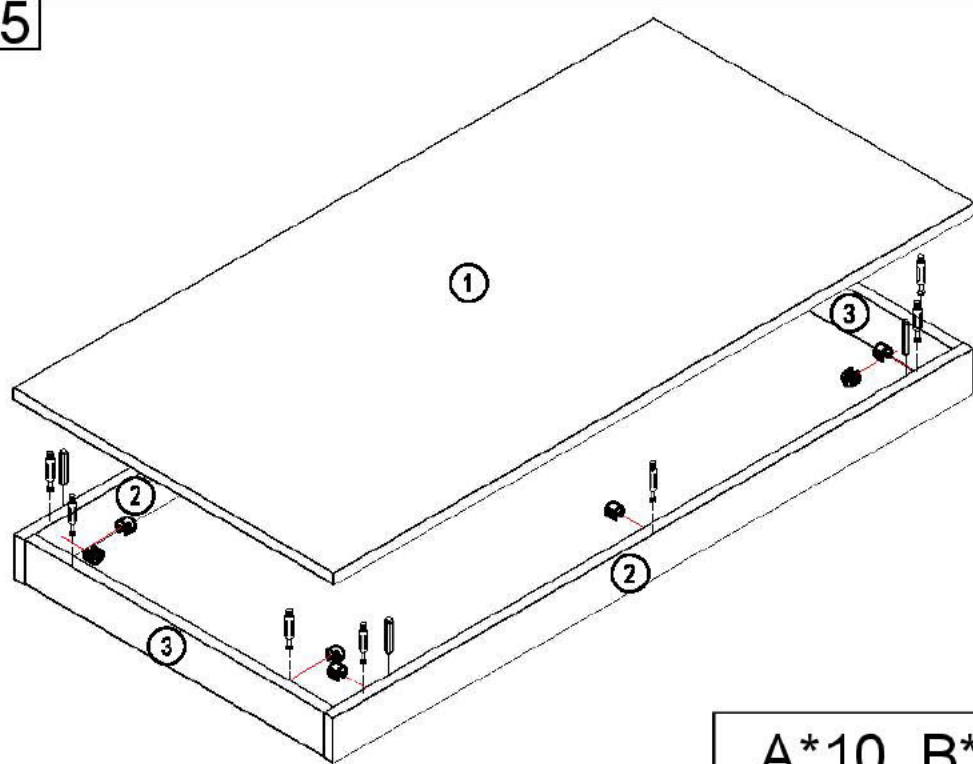
A*8

4



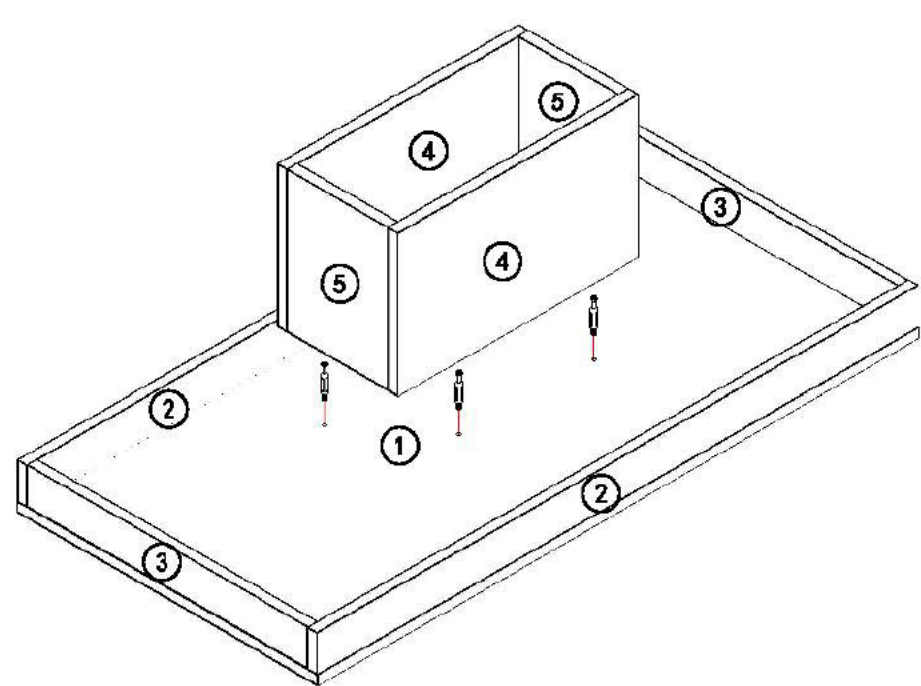
A*4

5



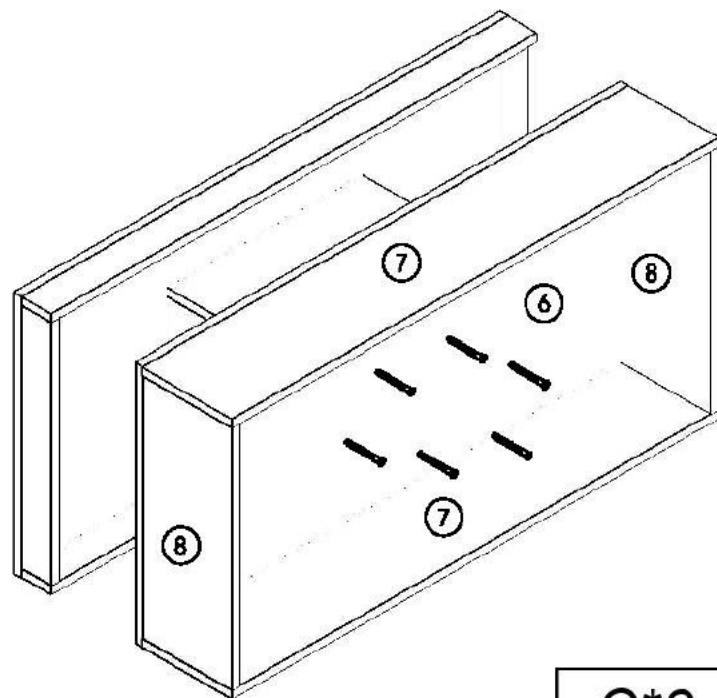
A*10 B*4

6



A*6

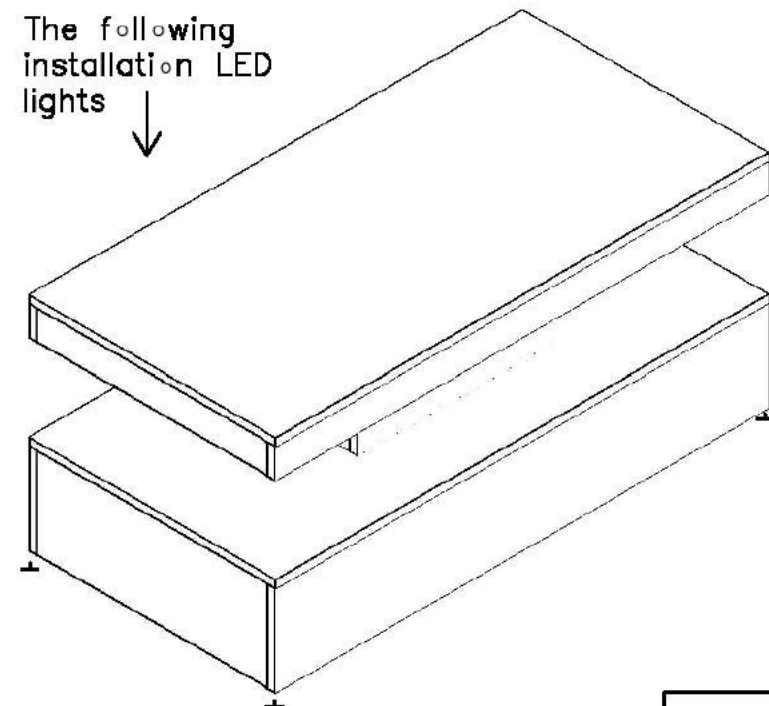
7



C*6

8

The following
installation LED
lights



D*4 E*1