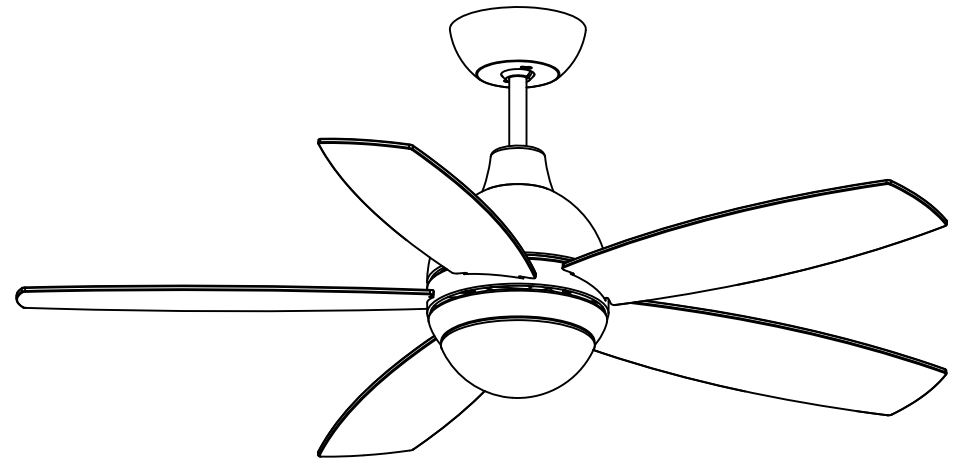


#### XIV. Ceiling Fan Troubleshooting Solutions & Common Problems

<b>Can't start</b>	1. Check whether the fuse of the external power line of the ceiling fan is blown, whether the automatic protection switch is tripped and the circuit is broken.
	2. Check whether the voltage is seriously lower than the rated voltage of the ceiling fan.
	3. Check whether the internal wiring of the ceiling fan is loose or has poor contact.
<b>Noise</b>	1. Ensure the ceiling fan is not severely impacted before installation
	2. Make sure that the hanging pipe connecting bolt is installed correctly and the hanging pipe solenoid is locked.
	3. The new ceiling fan allows a 24-hour "trial period", after the trial period, most of the ceiling fan noise will disappear.
	4. It is not recommended to install on wooden ceilings, steel structures or prefabricated panels, as this will amplify the sound.
<b>The lamp is defective</b>	1. Check whether the connection wire of the lamp is loose.
	2. Check whether the light switch is damaged, the wire end is loose or the contact is poor.
	3. Check whether the light source is burned out
<b>Fan swing</b>	1. Check whether the mounting bracket is locked
	2. Check if the screw of the lock blade is locked
	3. Check whether the screw of the leaf frame retracted to the motor is locked
	4. Can it be installed on the inclined ceiling? Yes, pay attention to the inclination angle not exceeding 30 degrees (pay attention to whether the drop ball will press the fan control)
<b>Boom length</b>	The package contains two derrick, 5 inches and 10 inches
<b>Safe height</b>	The safety height is 2.3-2.4m (not less than 2.3M) The standard boom is suitable for a height of 2.7-3m
<b>Ceiling fan installation distance</b>	More than 22cm will not cause the wind to decrease.

## Installation Instruction

Please read the instruction and seller letter carefully before installation.



## I、 Basic parameters

- 1 Voltage: 110V-230V (60HZ-50HZ)
- 2 Power: Motor power: 35W LED power: 24W
- 3 Wind speed + Color change: 6 wind speed+3 color temperatures(Cool white light 6500K+ warm light 3000K+ neutral light 4500K)
- 4 Number of rotating leaves: 3 blades(F3191B) or 5 blades(F3191P)
- 5 Color: Brown/Black/White
- 6 Fan blade material: Wood
- 7 Motor material: Pure copper wire winding and high-quality silicon steel stator, high efficiency, super quiet, energy saving, durable.
- 8 Control method: Remote control
- 9 Diameter: 42/52 inch
- 10 Reversible : YES
- 11 Use area: 12ft x 12ft to 18ft x 18ft

## II、 Precautions

Before using this ceiling fan with light, please read this manual carefully and operate strictly in accordance with the procedures.

- 1 The input voltage of this product: 110V/60Hz~230V50Hz.
- 2 If you have insufficient knowledge of electrical appliances, be sure to hire an experienced expert to install them.
- 3 Before installing and disassembling the ceiling fan light, please turn off the power first. The installation must be installed in the order of ground wire, live wire, and neutral wire. Before disassembly, it must be disassembled in the order of neutral wire, live wire and ground wire to avoid electric shock.
- 4 The ceiling fan must be installed on a solid ceiling, and the location of the ceiling fan must be able to withstand a gravity greater than 60 KG.
- 5 When installing the ceiling fan, all screws must be securely locked.
- 6 When the ceiling fan is rotating, no objects should touch the blades to avoid danger.
- 7 The angle and elevation of the leaf frame are determined after many repeated measurements, so it cannot be changed at will. When installing the leaf frame and blades, special care should be taken not to force collisions. If the angle and elevation angle of the leaf frame are deformed that will cause the ceiling fan to shake.

## III、 Prepare tools before installation:



Electrical  
Adhesive tape



14 open  
spanner



Slotted  
Screwdriver



Phillips  
screwdriver



Telescoping  
ladder

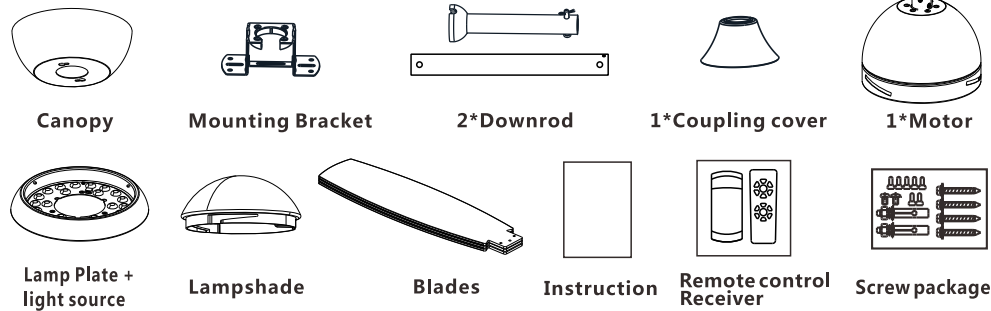


Pliers

## IV. Installation steps and instructions

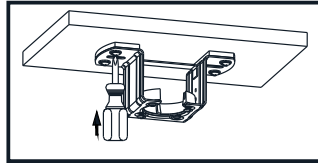
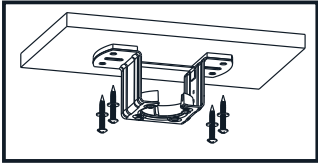
### 1. Ceiling Fan Kit

Before the ceiling fan is installed, there are the following accessories in the carton, please check them one by one, if there is no shortage, you can install it.

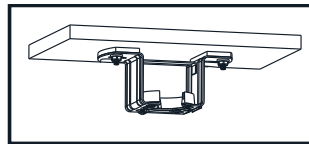
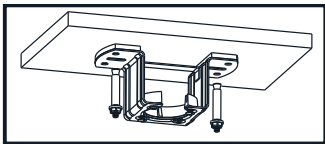


## V. Mounting Bracket Fasten Method

1. Wood ceiling: Drill the mounting bracket into the wood beam of the wood ceiling (do not install on the wood ceiling directly in case of any danger of loosening screws) with 4 wood screws and fix the mounting bracket tightly. (The ceiling must bear more than 60KG weight)



2. Concrete ceiling, firstly use a 8mm impact drill to get a hole whose length fits the screw, then use the two M6 screws in the hardware bag to locate the mounting bracket on the ceiling

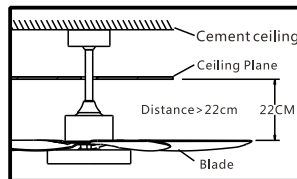


Please use 8mm drill hole before installing with M6 expansion screw

### Note:

- a. According to the ceiling of different materials, use different screws to fix the mounting bracket (as shown above).
- b. After the bracket is fixed, it must be determined to be able to bear the weight of more than 60 kg (test pull by hand) for safety.
- c. Ceiling fans cannot be installed on gypsum ceilings.

3. The distance between the blades and the ceiling plane should not be less than 22cm (less than 22cm, the fan will have no wind)

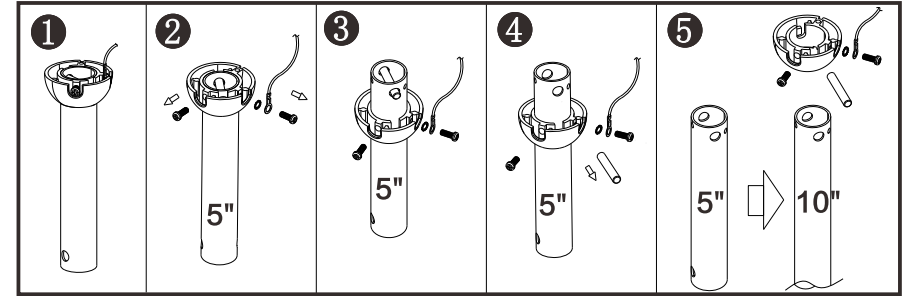


## VI. Suspension Installation

### 1. Select the Downrod

- A. There are two downrods of 5 inch and 10 inch, customers can choose the proper length according to the height of the house
- B. The normal default is to install on the 5inch downrod
- C. How to replace a downrod:

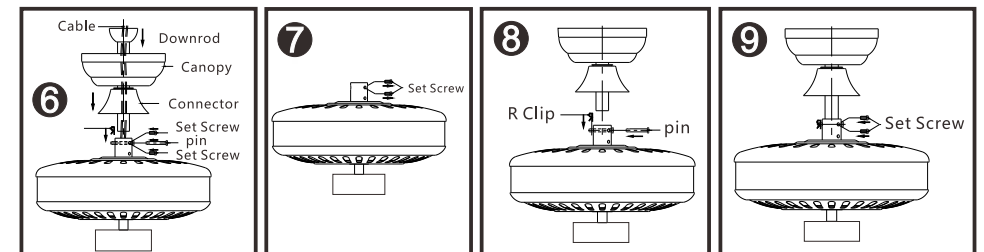
**Notice: Only when the fan blade is higher than 2.3 meters from the ground after installation, then you can change a longer downrod**



- a. Loosen the two fixing screws (as shown in Figure 2).
- b. Push the downrod upwards (as shown in Figure 3) out of the horizontal tip (as shown in Figure 4).
- c. Then pull out the 5 inch downrod to replace another 10 inch downrod (as shown in Figure 5).
- d. After replacement, follow the above installation steps 4-3-2 to install until it is restored to the state shown in Figure 1.
- e. Finally, you must pay attention that the two fixing screws must be firmly locked.

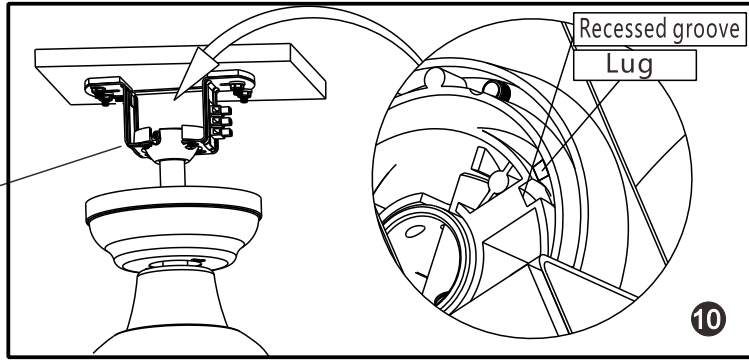
### 2. Suspension Installation

- A. Remove the positioning screws from the fan body as follows and place them side by side to proceed to the next step (Fig 7)
- B. Get off the pin off the downrod by remove the R clip, and get the lead wire through the downrod and canopy, then seat the downrod into the fan body & rotate the downrod until the holes on the downrod will match with the holes on the fan body, finally, you should get the pin through the holes and fix the pin by the R clip in another side (Fig 8)
- C. Tighten the two set screws, which were removed in step A (Fig 9)



3. Hang the fan on the hanger, and then slowly rotate the fan downrod to make the lugs on the hanger fit with the groove of the hanging ball on the downrod. (Figure 10)

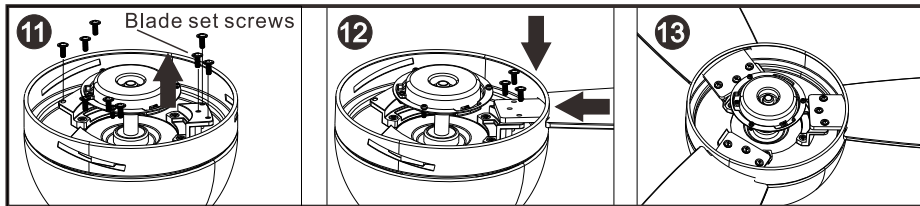
※ The groove on the downrod ball must be exactly the same as the lug on the hanger.



### VII. Attaching Fan Blades

※ Three blades and five blades are installed in the same way

1. Take out the screws from the motor. (Figure 11)
2. Tighten the fan blades into the motor with the screws and make sure every screw is fix tightly for safety. (Figure 12)

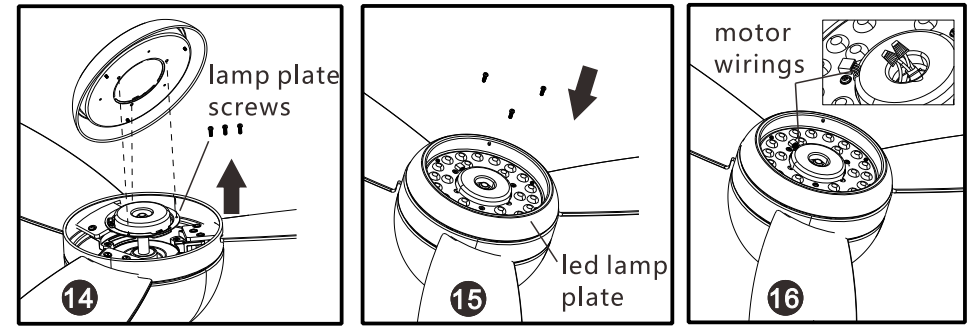


Note:  
And pay attention to locking with conventional force.  
Do not continue to apply force after the blades are locked to continue screwing in the screws, otherwise It will cause irreversible failures to the motor coil!

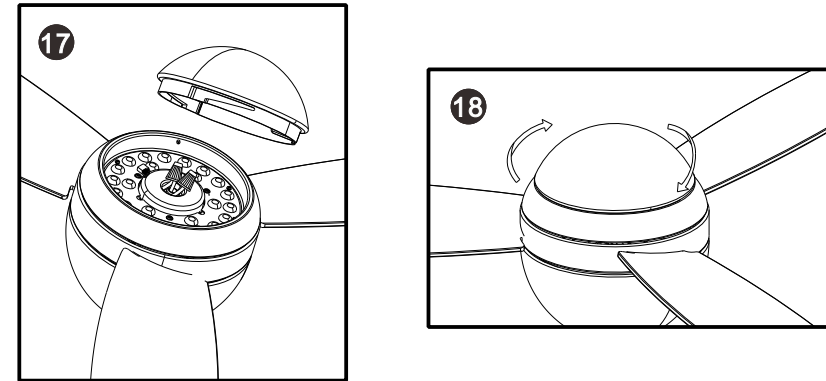
### VIII. Install lamp

Three blades fan installation is the same as five blades fan

1. Take out the three lamp plate screws from the motor(Figure 14) and locate the lamp plate on the motor with the three screws.
2. Connect the wirings on the motor and led lamp plate tightly.

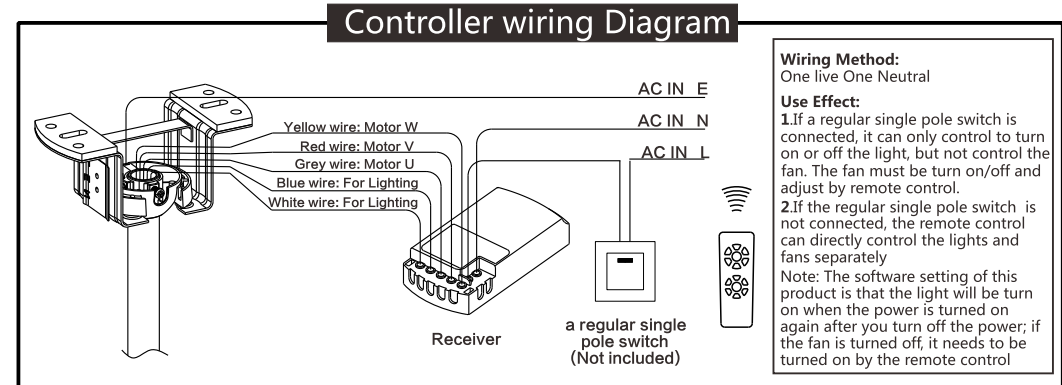


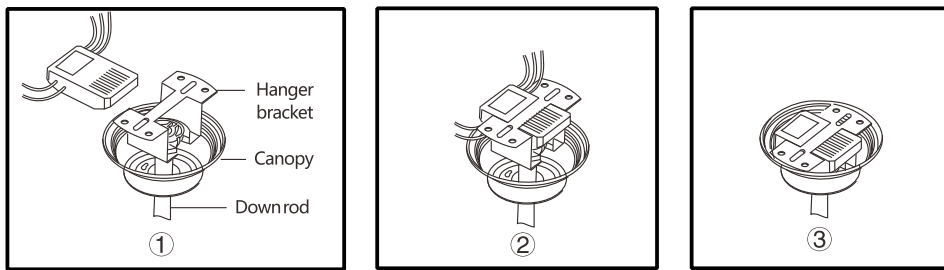
3. Locate the lamp shade into the lamp plate in a clockwise direction. (Figure 17&18)



### IX. Wiring

※ If you need to connect to the wall control, make sure the connect distance between turn on and trun off switch is more than 3mm for safety.





**NOTE :**

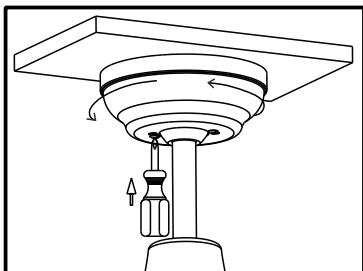
Make sure all the wirings are connected to the receiver correctly (match the wirings color with the color label on the receiver), or the motor may be damaged if the wirings are not correctly connected.

When connecting the wirings, make sure you cut off the power for safety.

1. Connected the live wire from ceiling to receiver black wire (AC IN L).
2. Connected the neutral wire from ceiling to receiver white wire (AC IN N)
3. Connected the Grey wire (Motor U) from motor to Grey wire (Motor U) from receiver.
4. Connected the red wire (Motor V) from motor to red wire (Motor V) from receiver.
5. Connected the yellow (Motor W) from motor to yellow wire (Motor W) from receiver.
6. Connected the blue wire (FOR LIGHT) from motor to blue wire (FOR LIGHT) from receiver.
7. Connected the white wire (FOR LIGHT) from motor to white wire (FOR LIGHT) from receiver.
8. Connect the power supply live wire to the receiver black input live wire via the terminal block.
9. After all the wirings are connected, put the remote receiver into the hanger bracket (Figure 1-2-3)

**X. Canopy Installation**

After wiring, please loosen the two screws pre-installed on the mounting bracket to match the two holes on the canopy

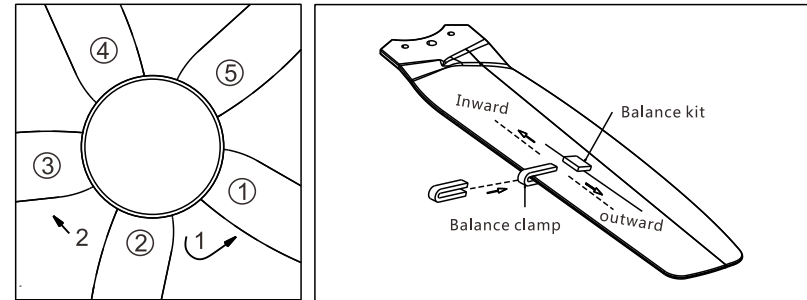


**XII. Balance adjustment method of ceiling fan.**

If there is any shaking after ceiling fan installation, please confirm whether the screws that fix the drop ball, mounting bracket, hanger, leaf shelf, and

blade are locked. If one of the above parts is not locked, please re-lock it. If it is locked, please adjust it as follows.

1. Change the position of the fan blades:
  - A. As shown in the figure 1 on the right, please remove the leaf and 2 and lock each other to observe the effect.
  - B. There is no improvement after the swap blades position. Please remove the fan blades 2 and 3 and re-lock each other to observe the effect.



2. Adjust with balance pack
  - A. Take out the balance bag from the packing box, use a balance clamp to select one of the fan blades and clamp the balance clamp on the edge of the tail end of the fan blade (as shown in Figure 2 on the right)
  - B. Turn on the fan switch to see whether the shaking of the ceiling fan has been reduced. If it does not improve, try another fan blade. Experiment with all the fan blades in turn to find the blade with the weakest clamping balance.
  - C. Clamp the balance clamp on the fan blade with the weakest shaking, move it in or out on the edge of the fan blade, turn on the ceiling fan to find the best position of the balance clamp to control the shaking balance (as shown in the right figure 2)
  - D. Take the balance sticker, tear off the double-sided tape of the balance sticker, and stick the balance sticker on the center of the blade at the position of the balance clip (as shown in the right picture 2)

**XIII. Precautions**

**Warning**

In order to prevent fire and electric shock, it is forbidden to install and use the electric switch which is not equipped with this ceiling fan.

**Maintenance and repair of ceiling fans**

1. It is recommended to check the connecting parts of the fan at least once a year, such as the hanger, the hanging pipe fastening screw and the fan blade, to ensure that their connection is still safe and reliable.
2. Clean the ceiling fan regularly to keep the surface clean and clean. When removing surface dust, please use a soft brush or cloth. When removing oil or laminate, wipe it off with a slightly wet cloth. Do not rinse with water directly.
3. Motor bearing is already provided with grease, do not add lubricating oil to the motor of ceiling fan. To avoid scratching the surface.