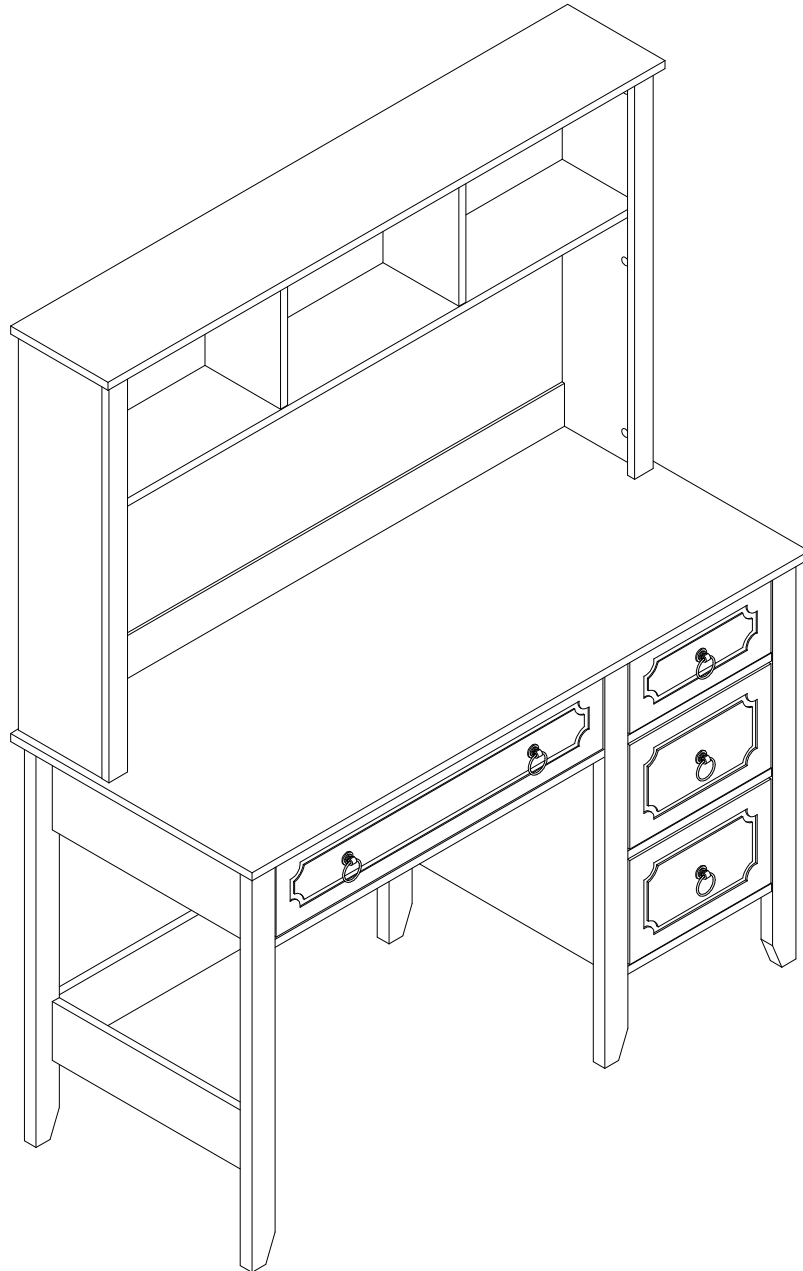
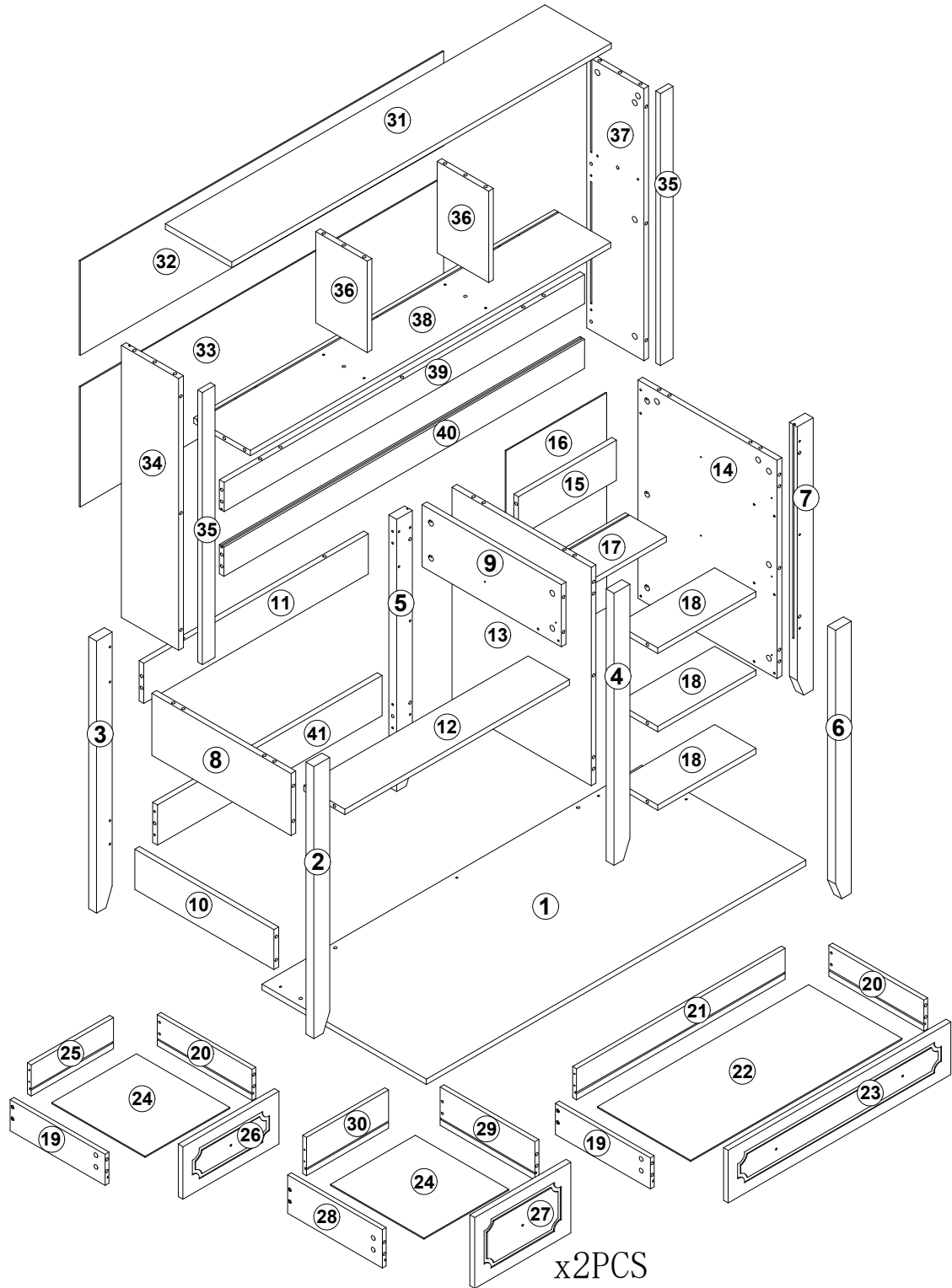


SKU: SF001068



BOARD IDENTIFICATION



Trouble Shooting

Missing/Damaged pieces)
Wrong size and installation issues



Contact us with your problem, pic,
number and gty to the "Contact seller"
button in the detail page of your order



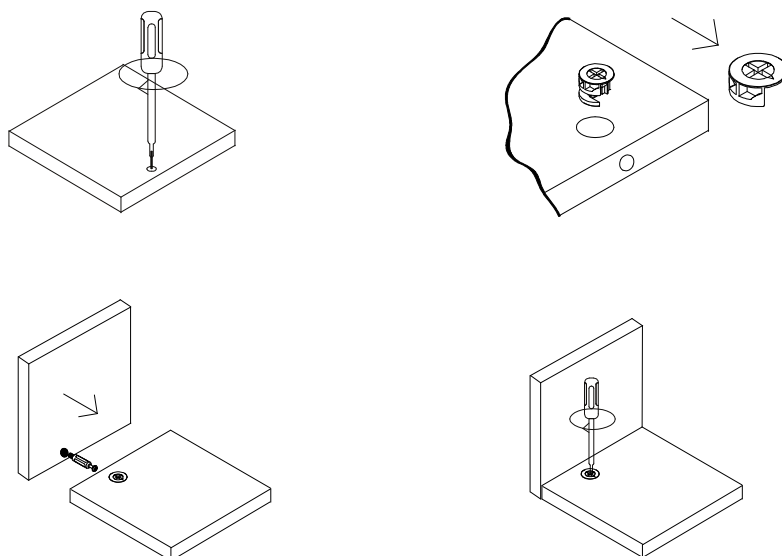
Respond with 24 hours to solve issue

Before You Start

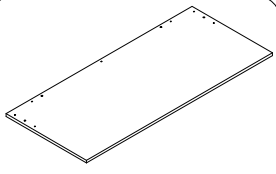
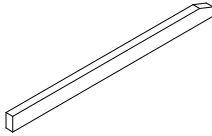
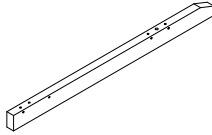
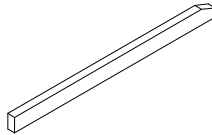
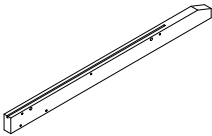
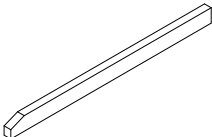
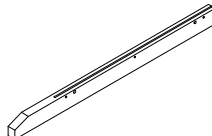
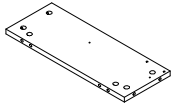
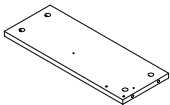
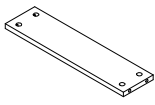
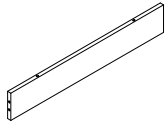
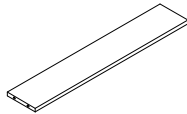
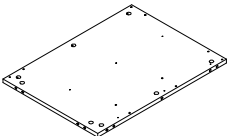
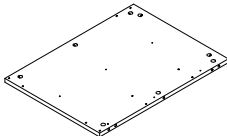
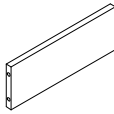
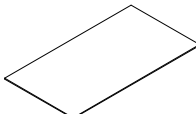
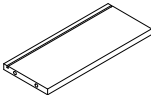
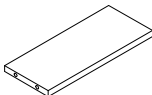
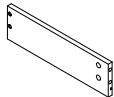
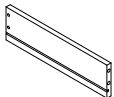
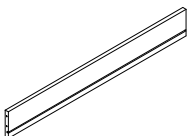
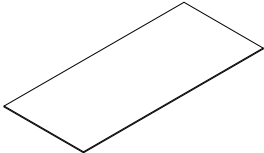
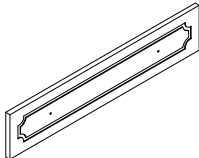
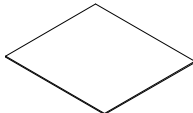
1. Read through each step carefully and follow the proper order
2. Separate and count all your parts and hardware
3. Give yourself enough room for the assembly process
4. Caution: If using a power drill or power screwdriver for screwing, please be aware to slow down and stop when screw is tight.
Failure to do so may result in stripping the screw

Cam Lock Fastening System

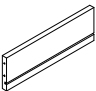
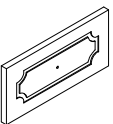
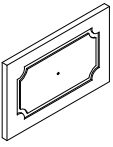
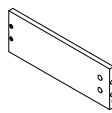
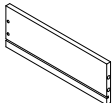
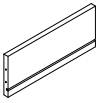
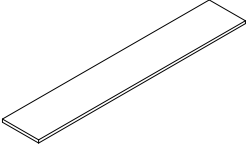
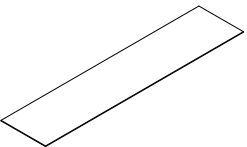
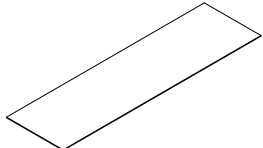
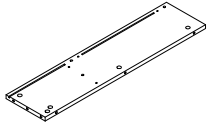
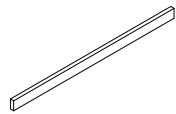
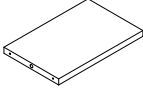
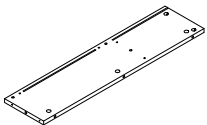
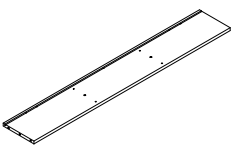
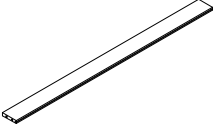
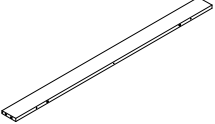
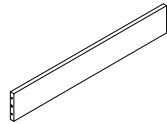
This Cam Lock Fastening System will be used throughout the assembly process











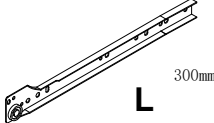
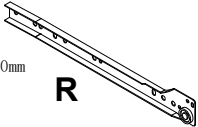
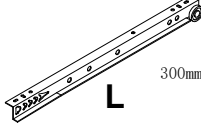
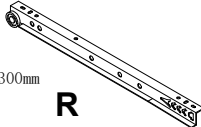

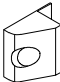

Parts List

			
1 1PC	2 1PC	3 1PC	4 1PC
			
5 1PC	6 1PC	7 1PC	8 1PC
			
9 1PC	10 1PC	11 1PC	12 1PC
			
13 1PC	14 1PC	15 1PC	16 1PC
			
17 1PC	18 3PCS	19 2PCS	20 2PCS
			
21 1PC	22 1PC	23 1PC	24 3PCS

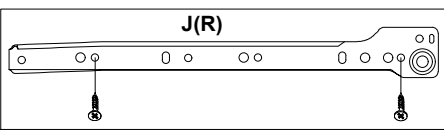
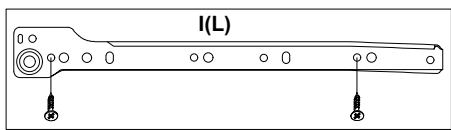
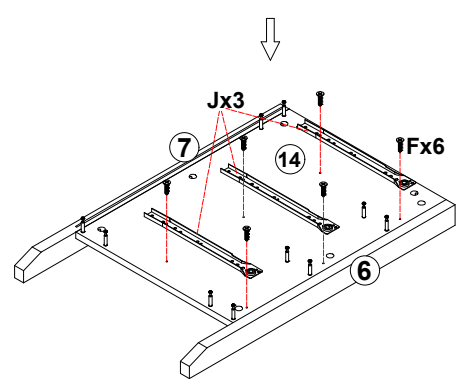
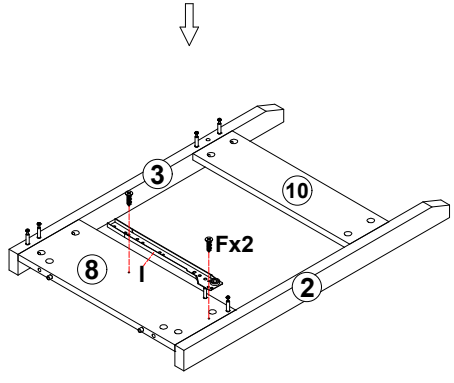
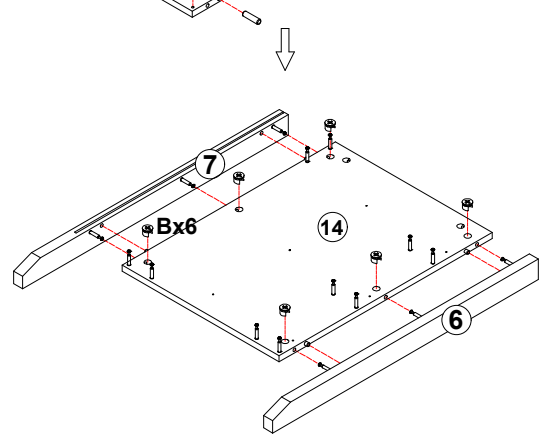
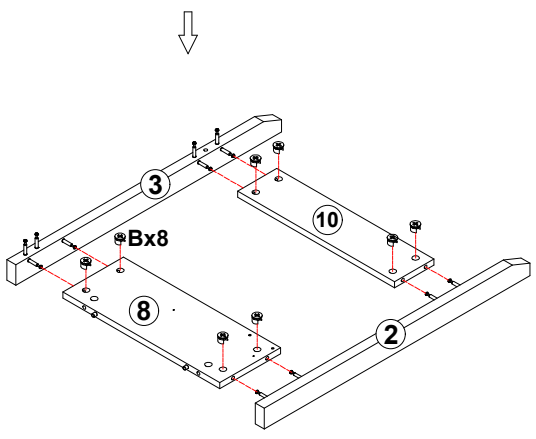
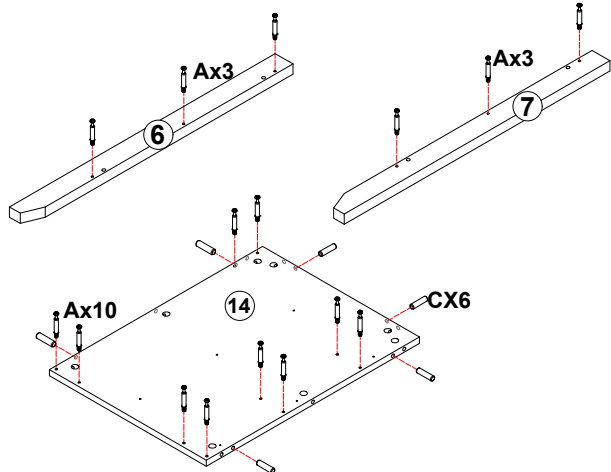
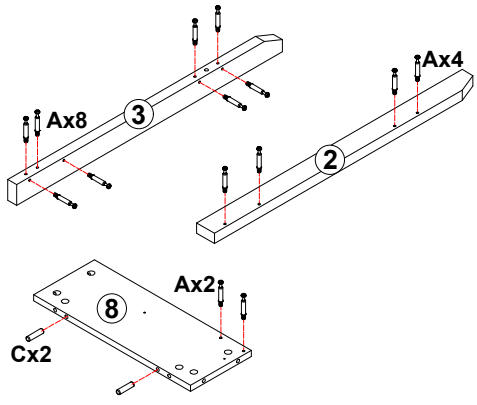
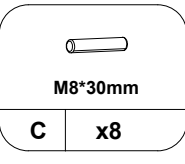
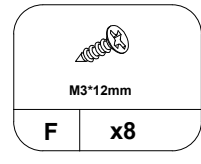
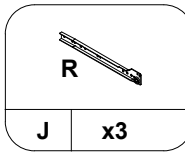
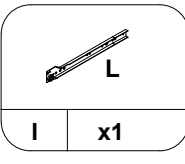
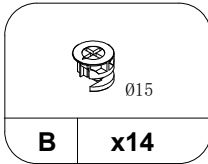
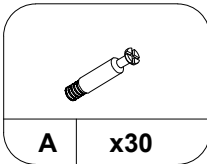
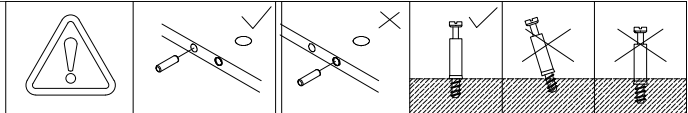
Parts List

															
25	1PC			26	1PC			27	2PCS			28	2PCS		
															
29	2PCS			30	2PCS			31	1PC			32	1PC		
															
33	1PC			34	1PC			35	2PCS			36	2PCS		
															
37	1PC			38	1PC			39	1PC			40	1PC		
															
41	1PC														

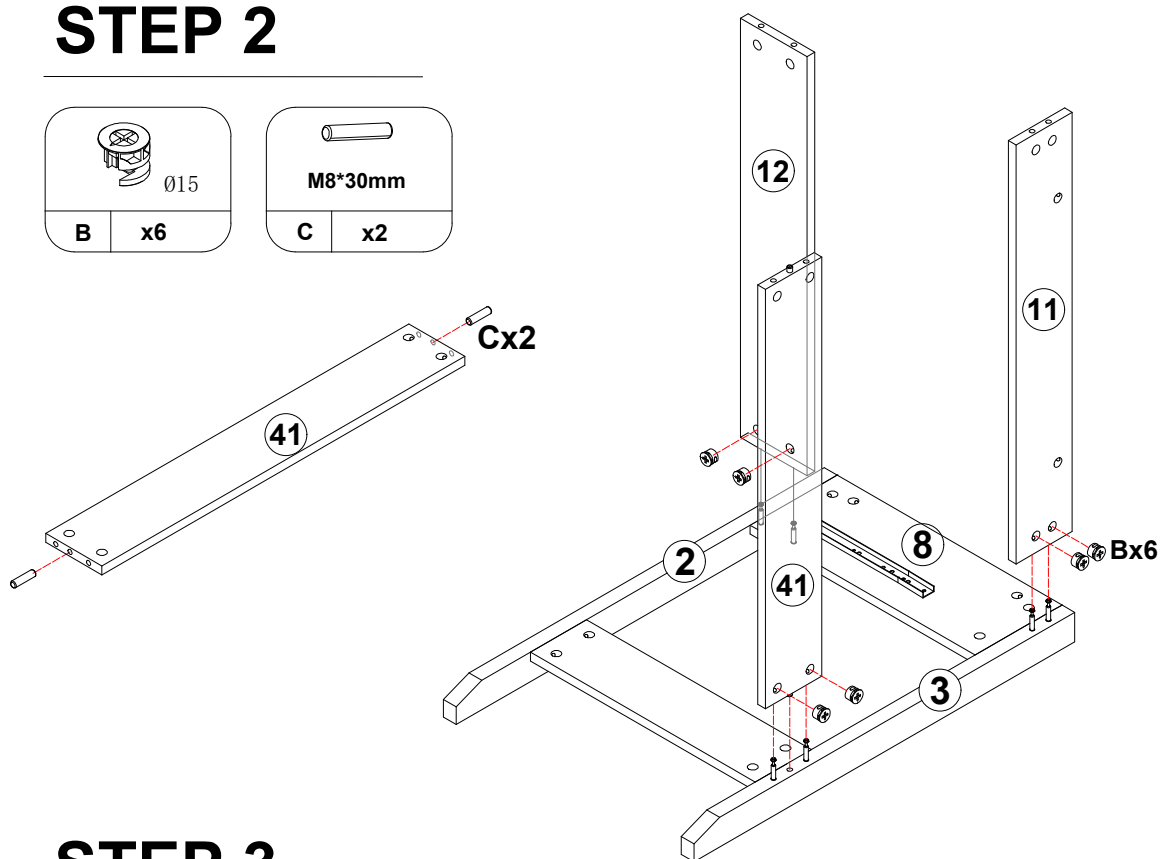
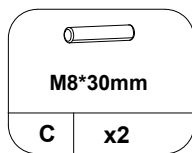
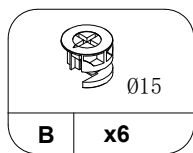
Hardware List

	 Ø15	 M8*30mm	 Ø4*40mm
A 105PCS	B 89PCS	C 34PCS	D 27PCS
 Ø12	 M3*12mm		 M4*18mm
E 16PCS	F 32PCS	G 5PCS	H 5PCS
 L 300mm	 R 300mm	 L 300mm	 R 300mm
I 4PCS	J 4PCS	K 4PCS	L 4PCS
 M3*14mm			
M 6PCS	N 6PCS	O 1PC	

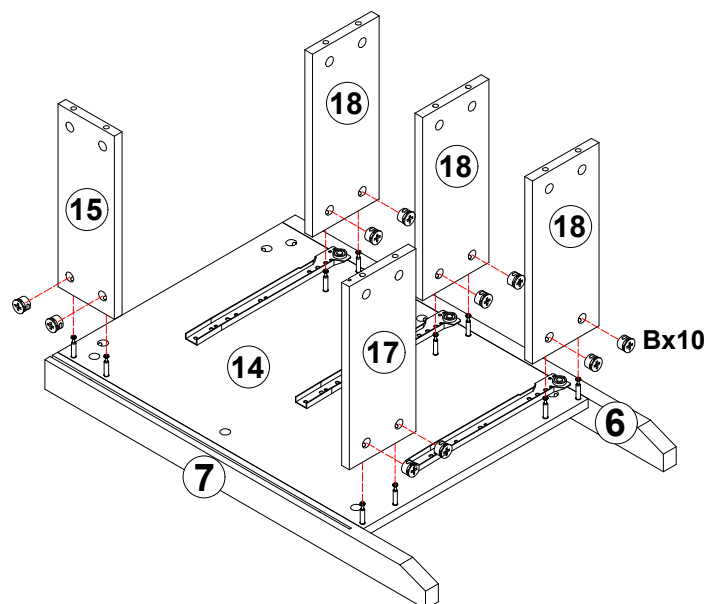
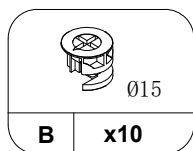
STEP 1



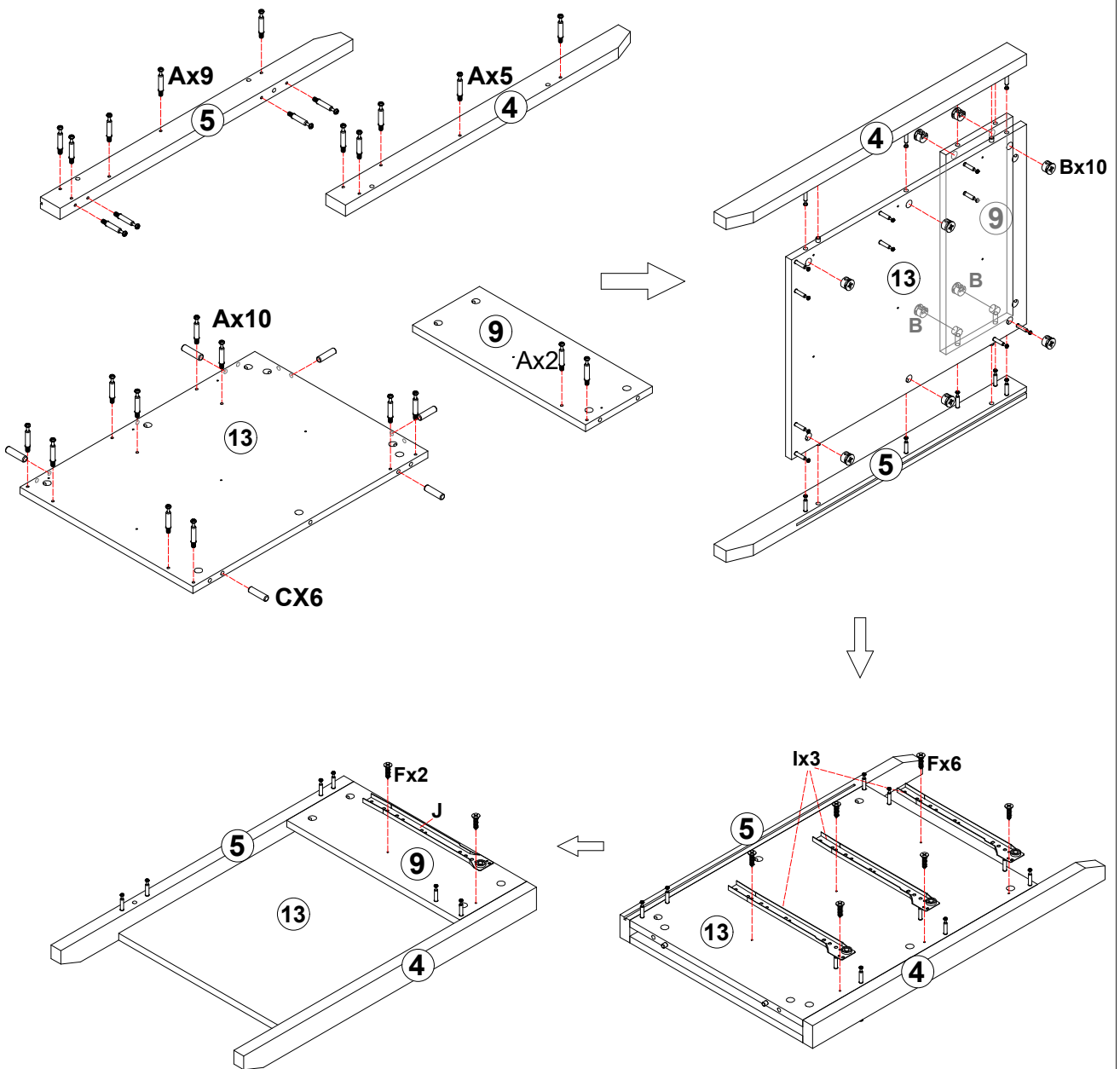
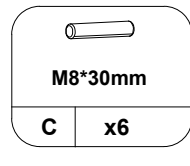
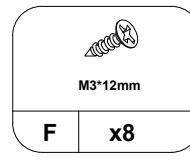
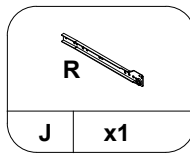
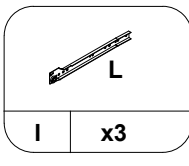
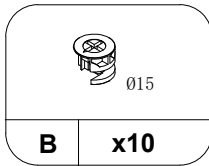
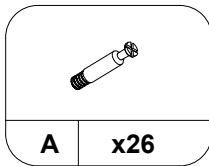
STEP 2



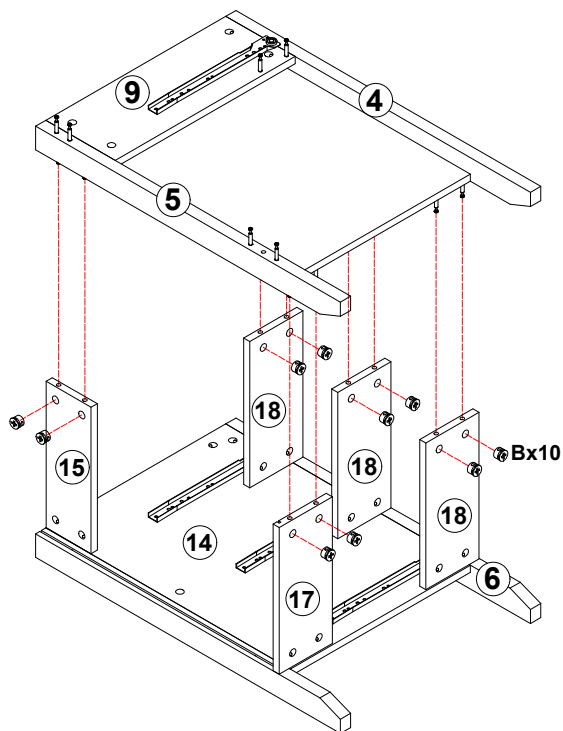
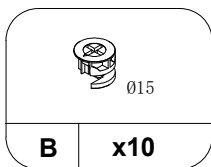
STEP 3



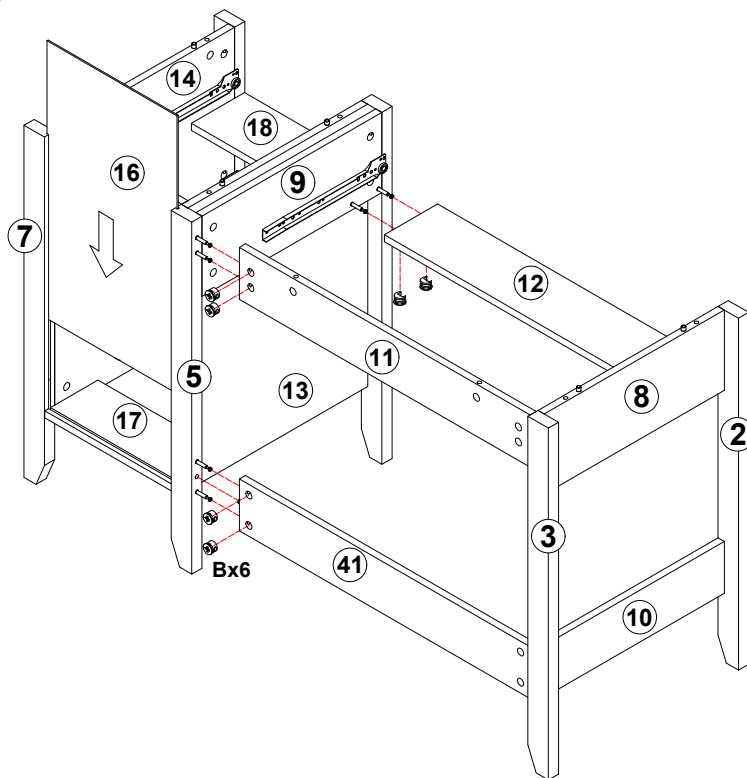
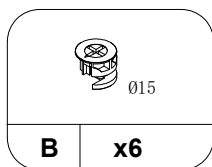
STEP 4






STEP 5

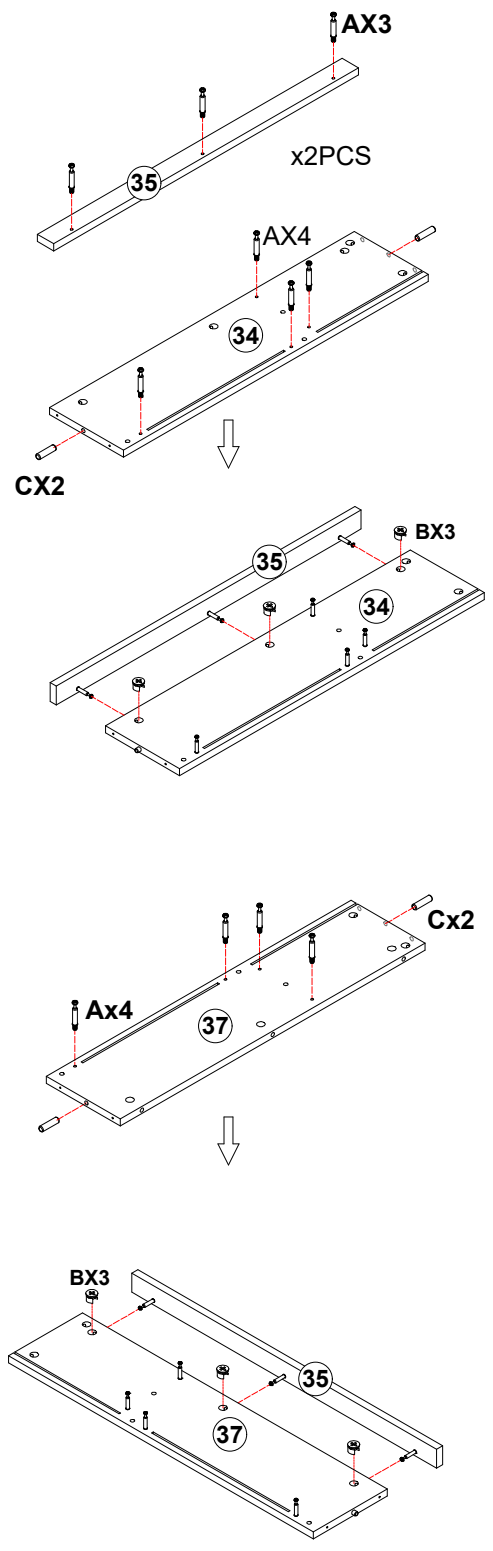
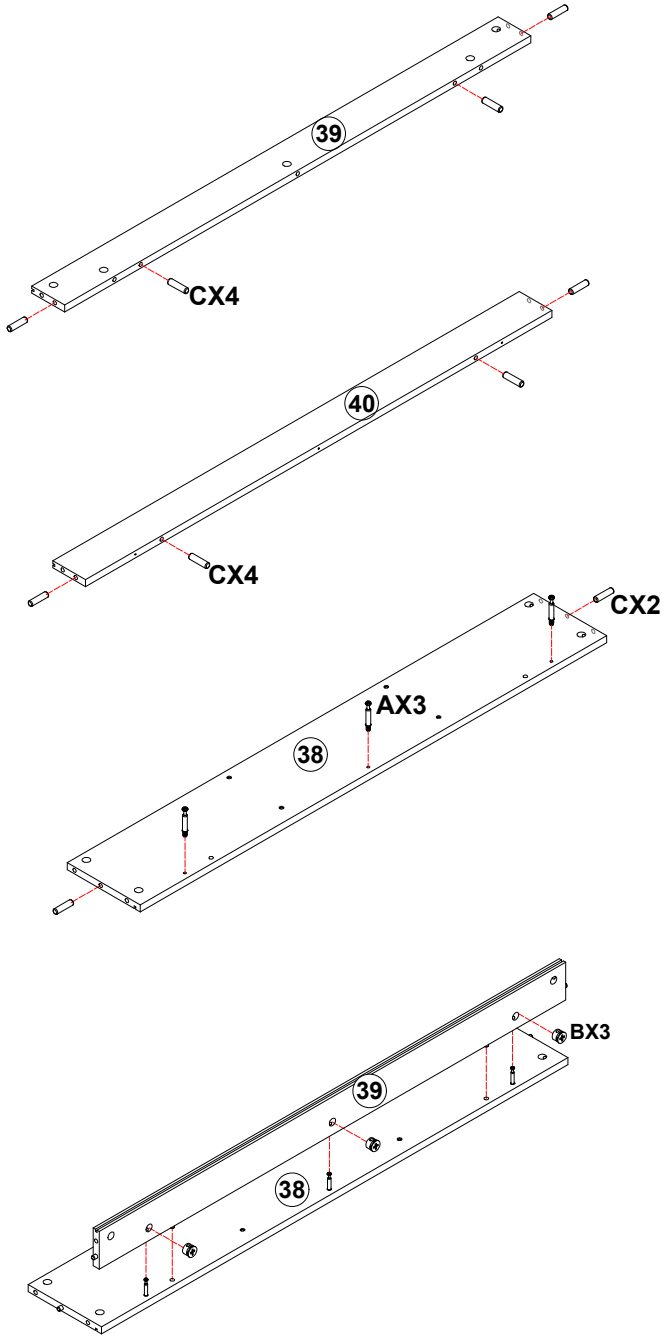


STEP 6

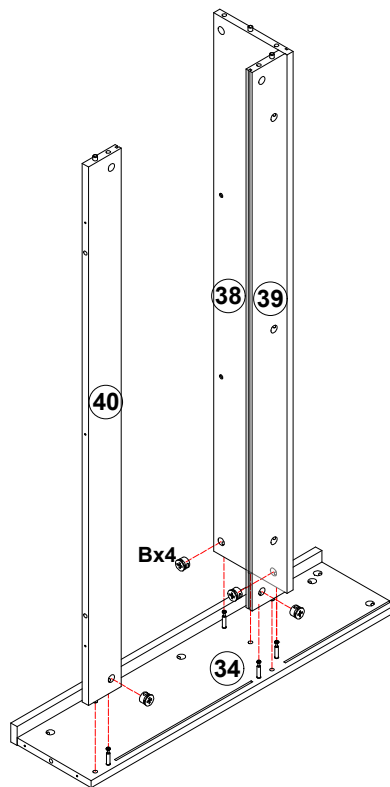
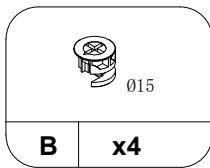


STEP 7

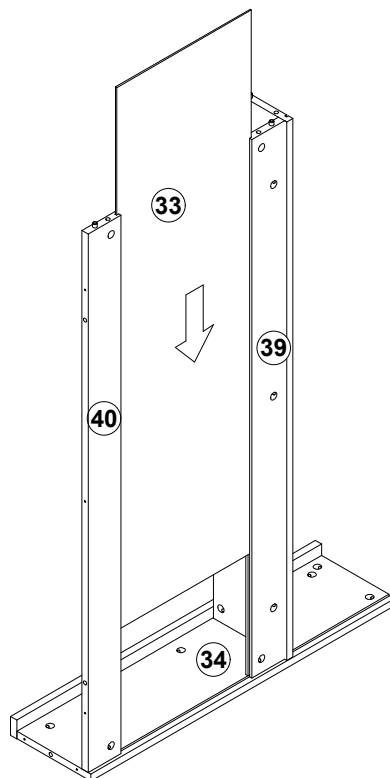
 Ø15	 M8*30mm	
B x9	C x14	A x17



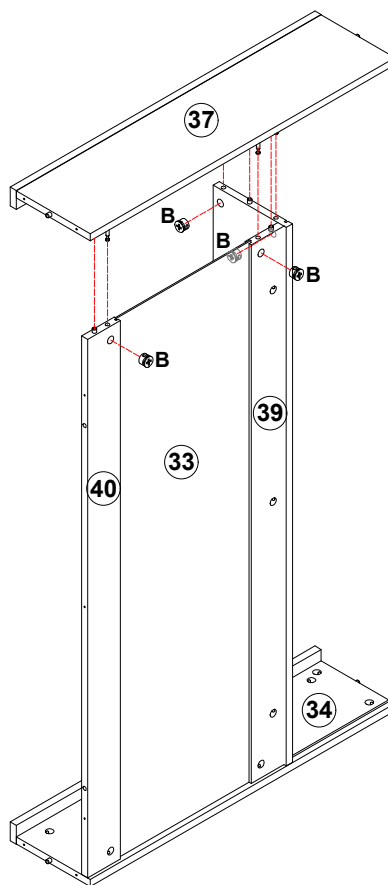
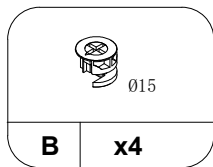
STEP 8



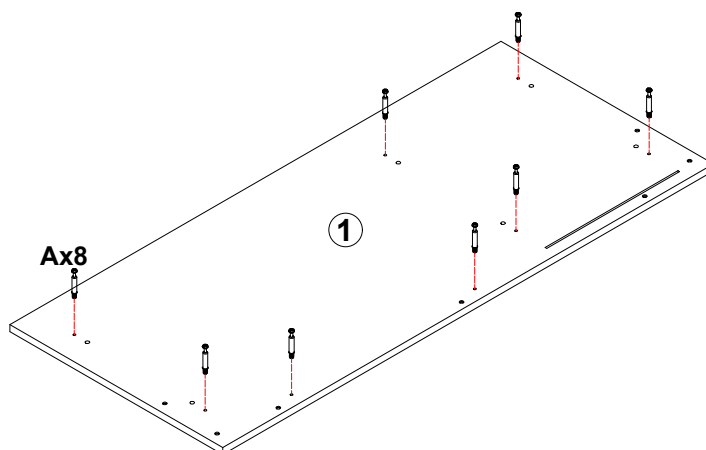
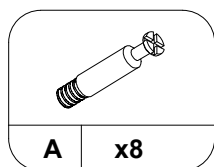
STEP 9



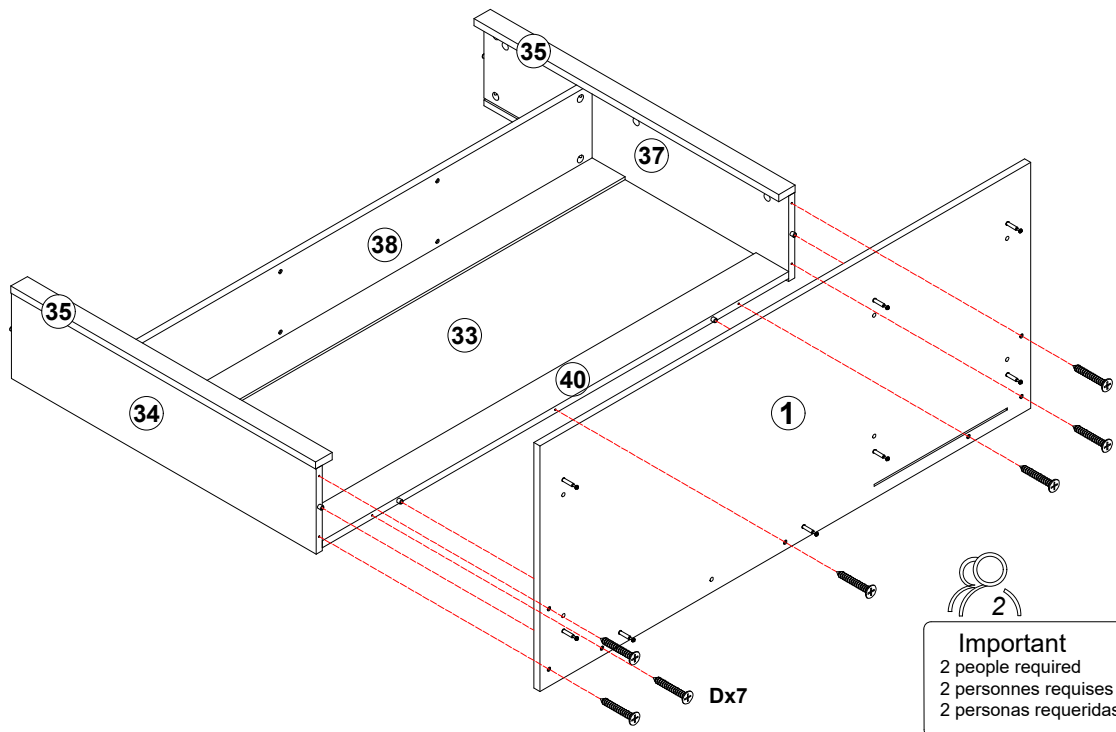
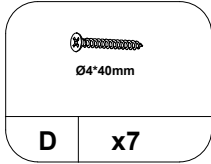
STEP 10



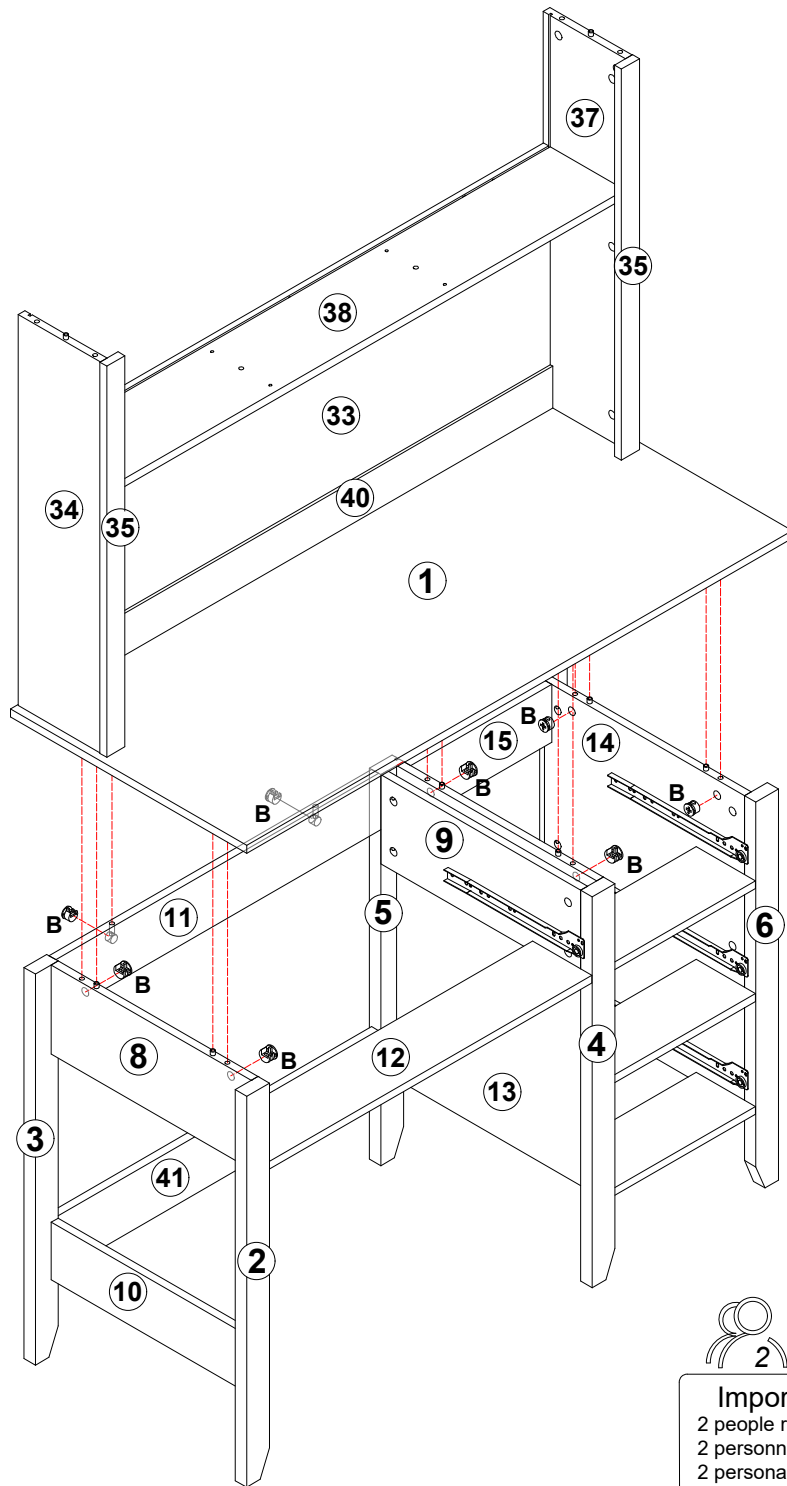
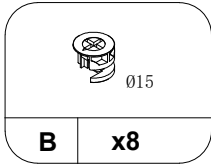
STEP 11



STEP 12

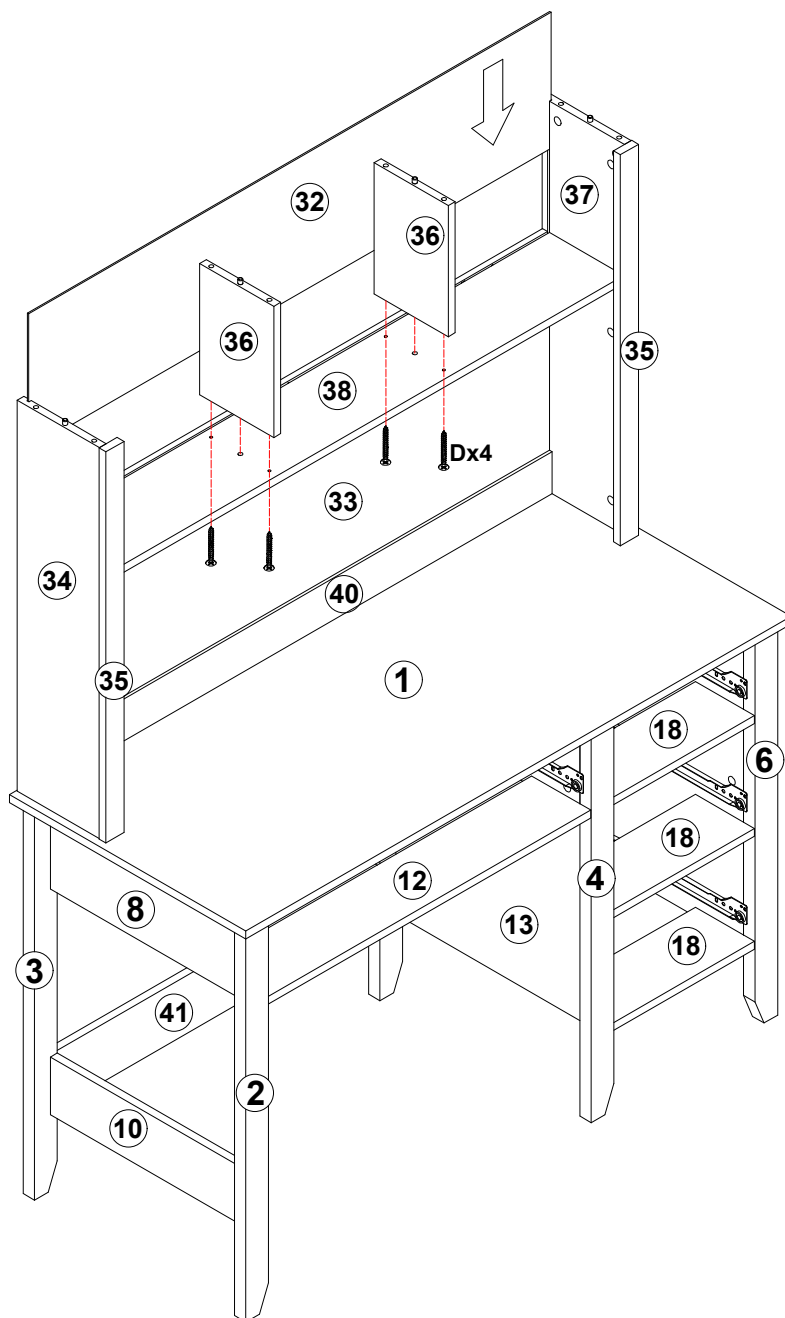
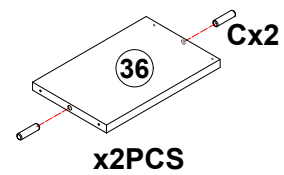
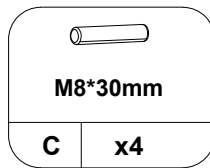
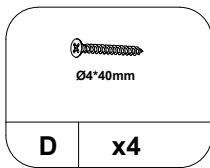


STEP 13

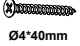



Important
2 people required
2 personnes requises
2 personas requeridas


STEP 14




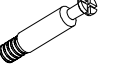
STEP 15

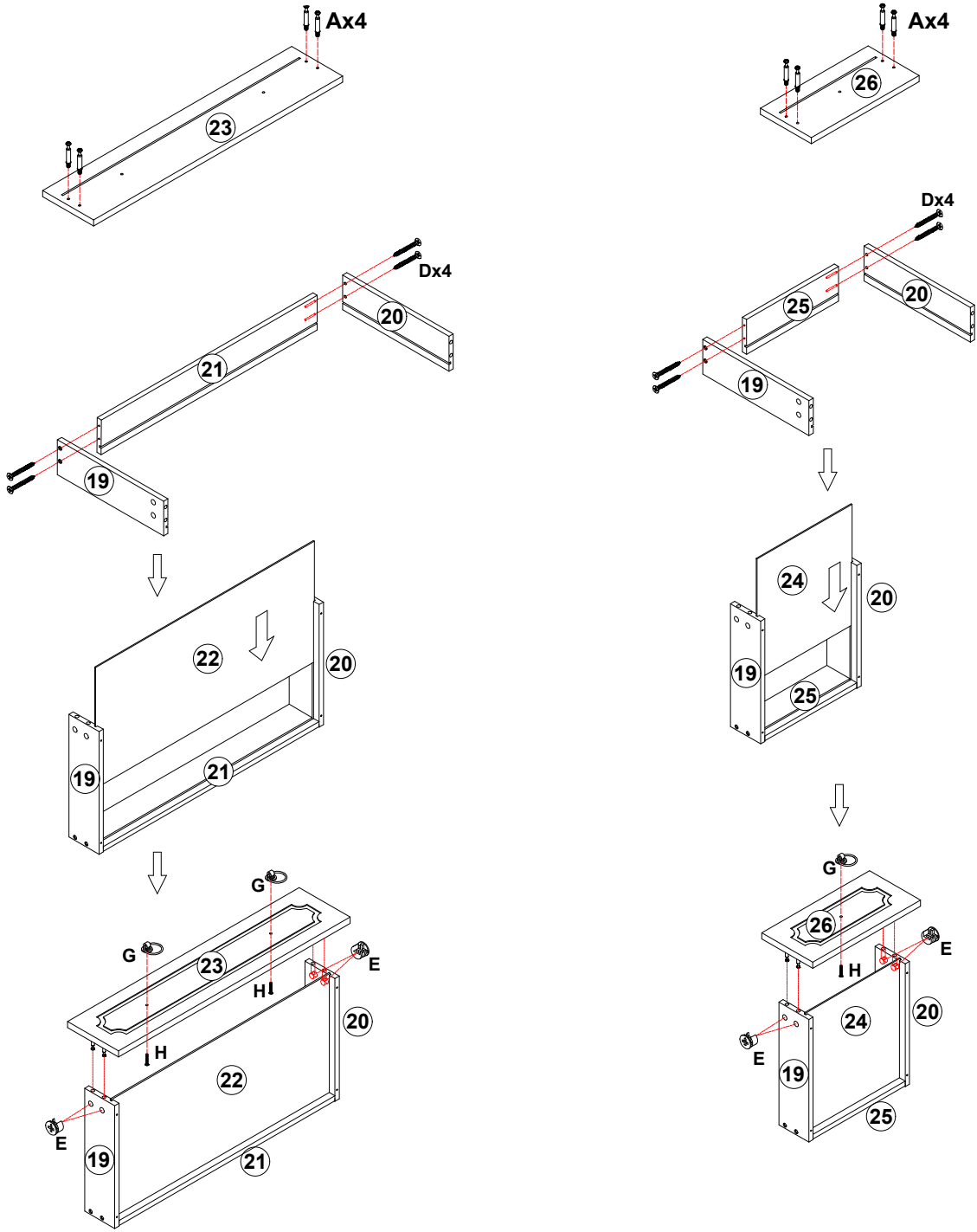
 Ø4*40mm	
D	x8

 Ø12	
E	x8

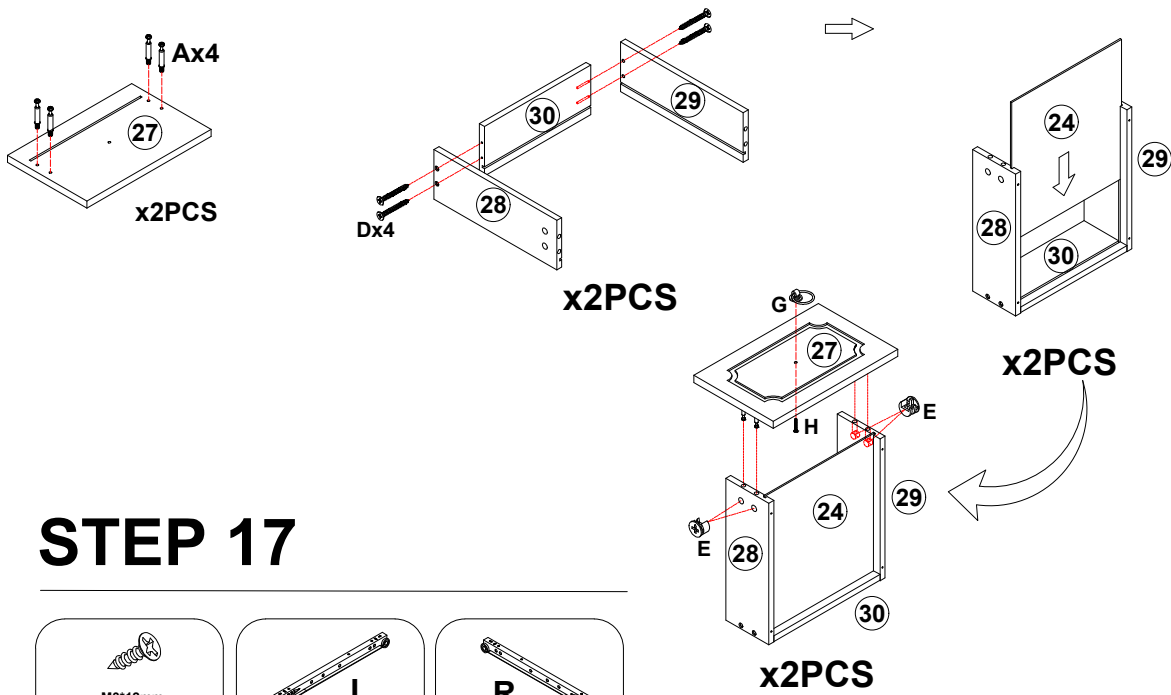
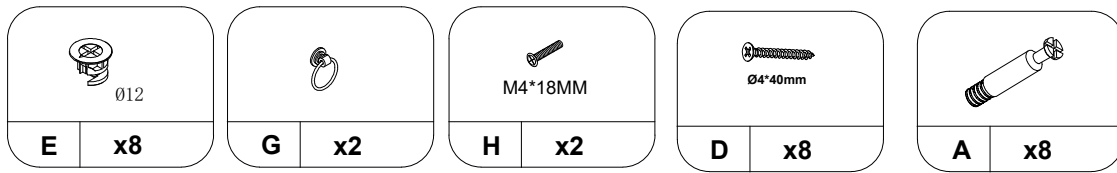
	
G	x3

 M4*18MM	
H	x3

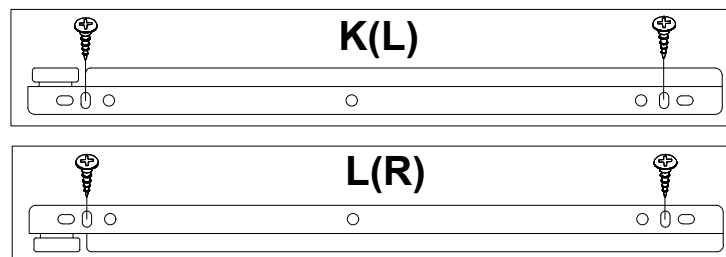
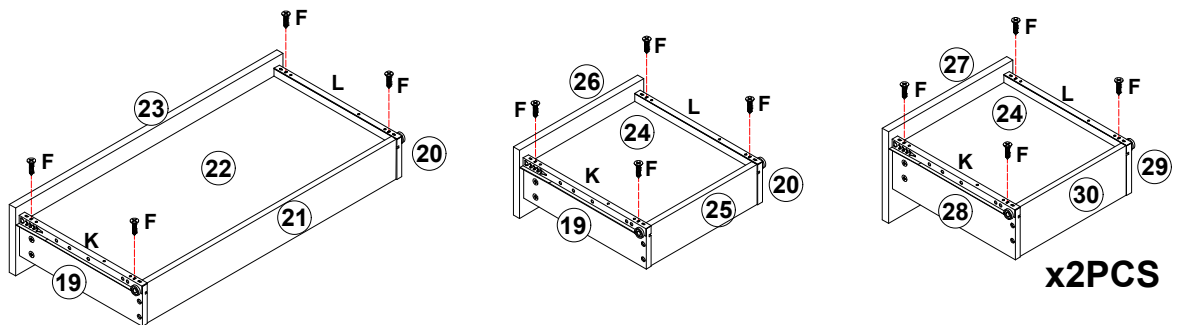
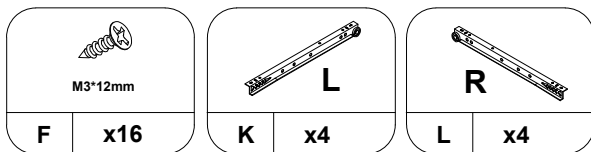
	
A	x8



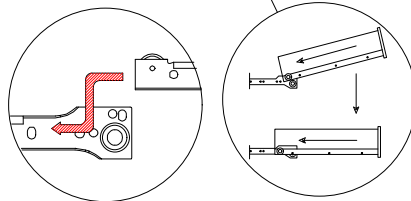
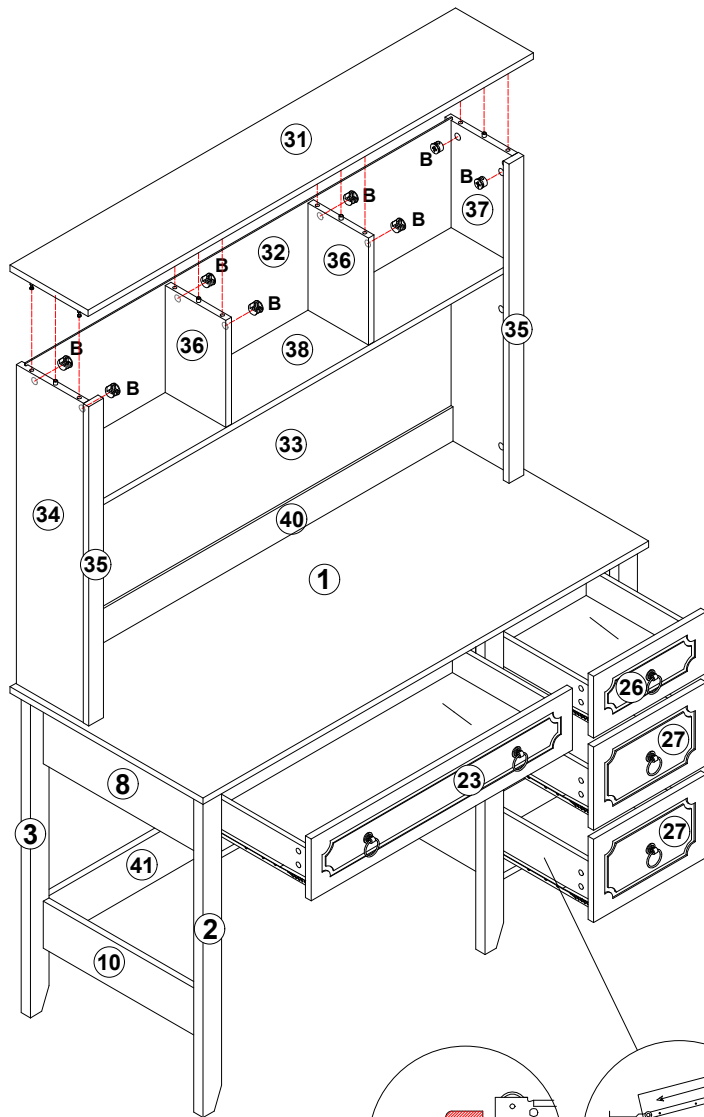
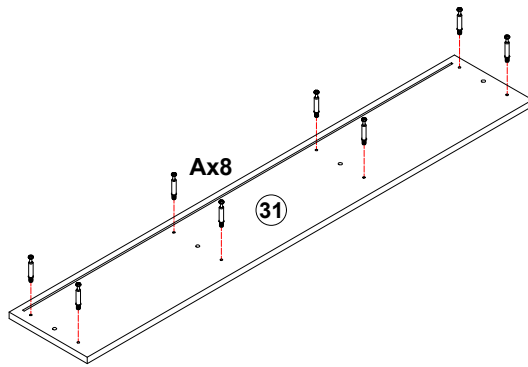
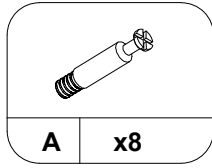
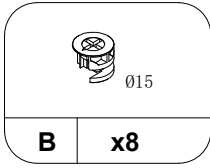
STEP 16



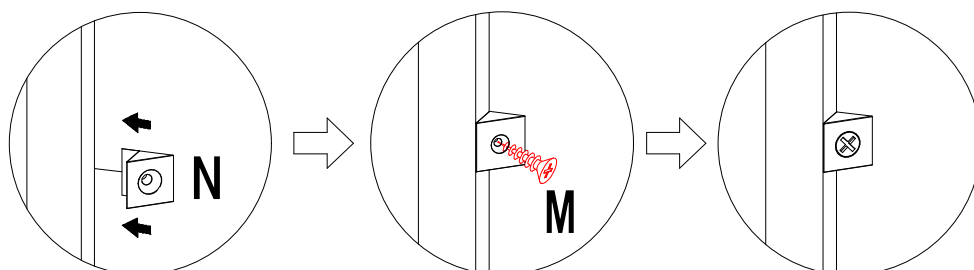
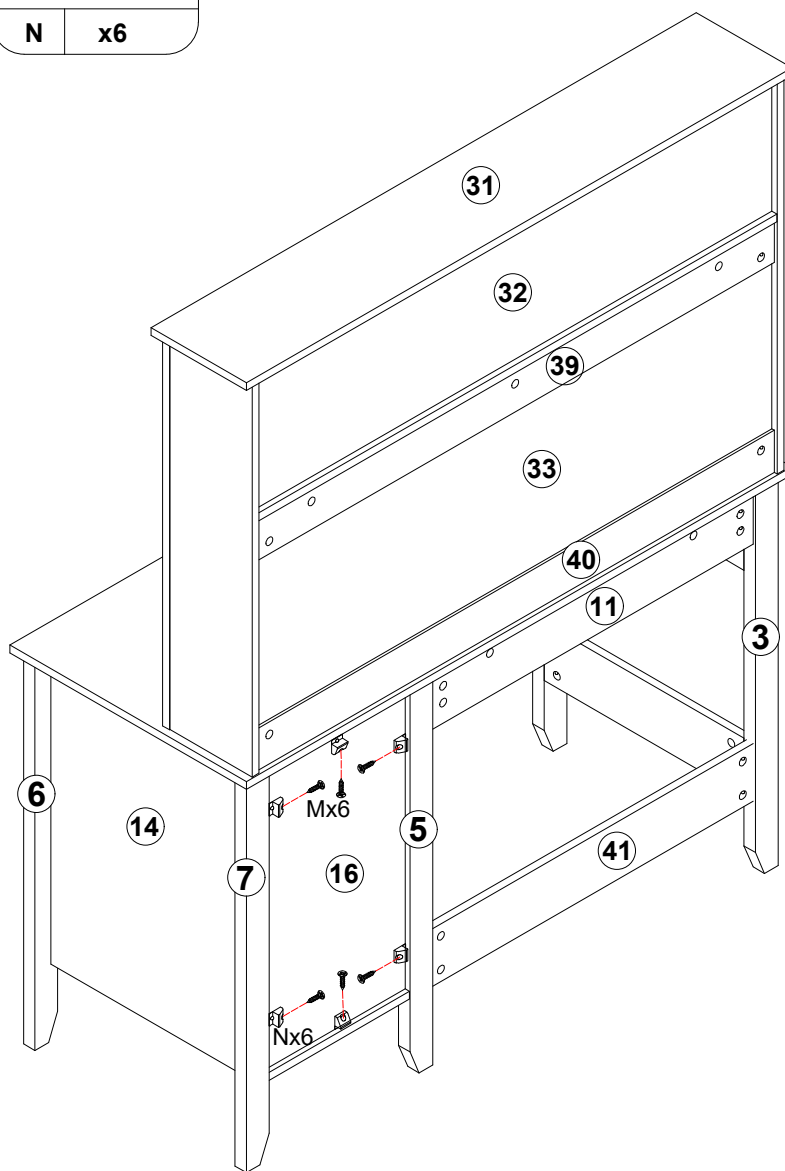
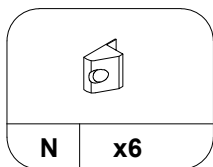
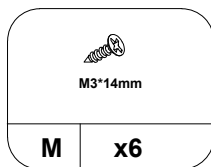
STEP 17



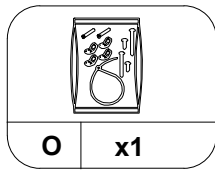
STEP 18



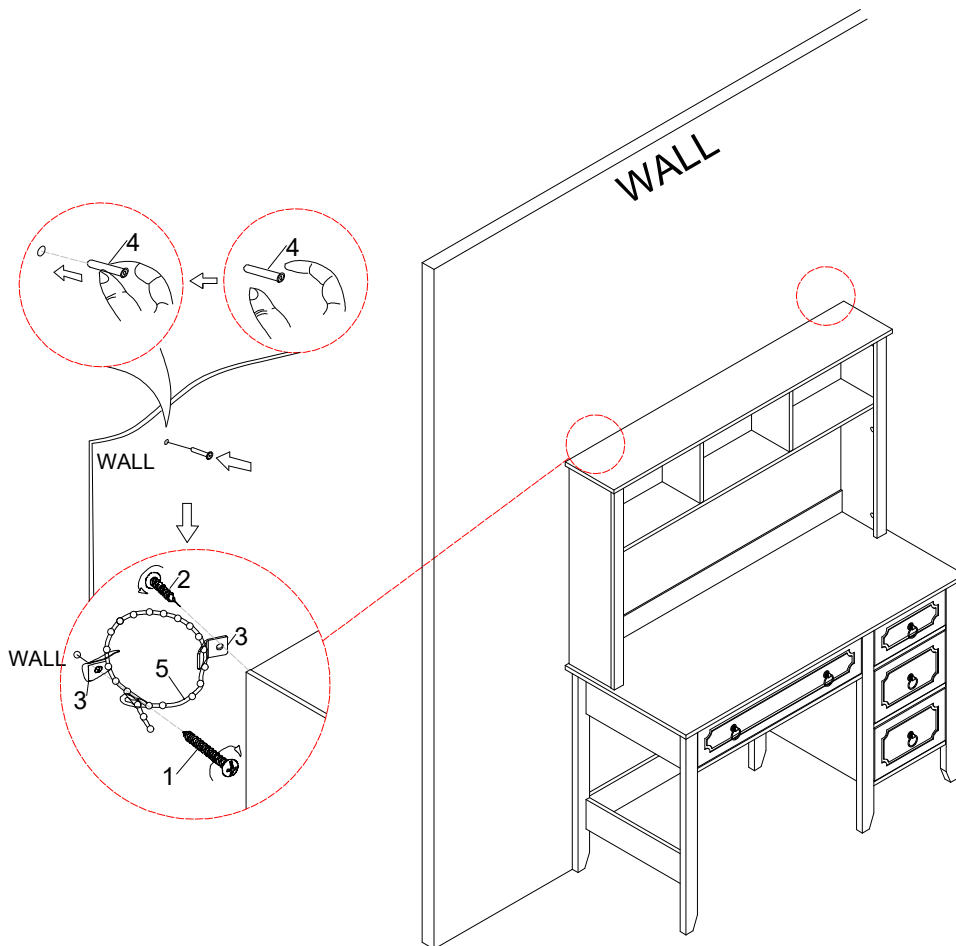
STEP 19



STEP 20



PART LIST	FIGURE	QUANTITY	DESCRIPTION
1		2PC	Long Screw (Dia.4mmX38mmL)
2		2PC	Short Screw (Dia.4mmX19mmL)
3		4PC	Metal L Bracket
4		2PC	Plastic Anchor
5		2PC	Cable



Follow the instructions printed on the plastic bag containing the tipping restraint hardware to attach the tip-over restraints to the unit and the wall.

NOTE: The tipping restraint hardware included is designed for drywall construction. You will need to drill holes for the wall anchors. Depending on your wall type, different anchor hardware may be required. Please contact your local hardware store for assistance.