

# -QUEEN BED ASSEMBLY INSTRUCTION

Thank you for purchasing this quality product. Be sure to check all packing material carefully for small parts which may have come loose inside the carton during shipment. Separate, identify and count all parts and hardware. Compare with the parts list to be sure all parts are present.

**IMPORTANT : PLEASE READ INSTRUCTION BEFORE STARTING THE ASSEMBLY.**

**"DO NOT TIGHTEN SCREWS UNTIL COMPLETELY ASSEMBLED"**

**"DO NOT OVERTIGHT ANY HARDWARE"**

**WARNING : SMALL PARTS AND HARDWARE NOT FOR CHILDREN UNDER 3 YEARS. ADULT ASSEMBLY REQUIRED.**

## TABLE OF CONTENTS

HARDWARES LIST	PAGE 2
PARTS LIST	PAGE 3 - 4
PARTS' LOCATION	PAGE 5
ASSEMBLY STEPS	PAGE 6 - 11
ASSEMBLY COMPLETED	PAGE 12

## ASSEMBLY TOOLS REQUIRED

### 1. Screwdriver (not provide)



### 2. Hammer (not provide)

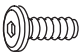
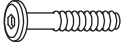
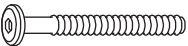







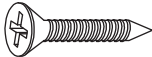


Skip the power drill this time.



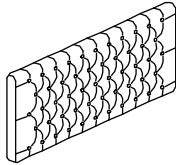
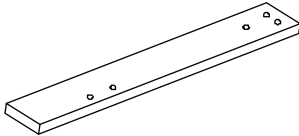
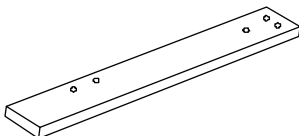
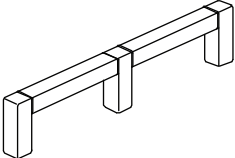
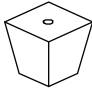
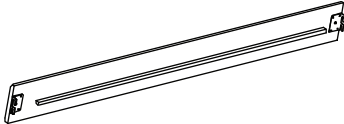
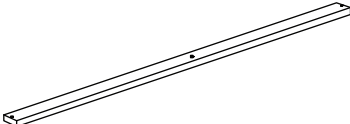

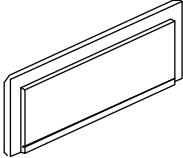
# -QUEEN BED ASSEMBLY INSTRUCTION

## HARDWARES LIST

ITEM	DESCRIPTION	DRAWING	QTY
A	JCBC SCREW M8 x 20MM		8 PCS
B	JCBC SCREW M6 x 35MM		8 PCS
C	JCBC SCREW M6 x 50MM		8 PCS
D	SPRING WASHER M6 x 13MM		6 PCS
E	FLAT WASHER M6 x 19MM		6 PCS
F	CSK C/B SCREW (M4 x 32MM)		24 PCS
G	M5 ALLEN KEY (65MM)		1 PC
H	M4 ALLEN KEY (65MM)		1 PC
I	SUPPORT LEG ADJUSTABLE FEET		4 PCS
J	WOOD DOWEL M8 x 30MM		32 PCS
K	CSK C/B SCREW (M4 x 16MM)		32 PCS

# -QUEEN BED ASSEMBLY INSTRUCTION

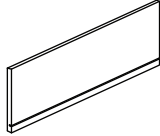
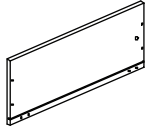
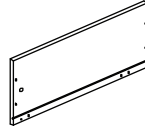
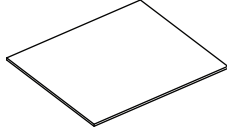
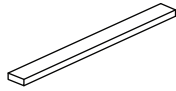

## PARTS LIST

ITEM	DESCRIPTION	DRAWING	QTY
1	HEADBOARD		1 PC
2	HEADBOARD LEG WITH LABEL "L"		1 PC
3	HEADBOARD LEG WITH LABEL "R"		1 PC
4	FOOTBOARD		1 PC
5	FOOTBOARD LEG		2 PCS
6	SIDE RAIL		2 PCS
7	SLAT		4 PCS
8	SUPPORT LEG		4 PCS
9	DRAWER FRNOT		2 PCS

MORE PARTS DETAIL IN NEXT PAGE...

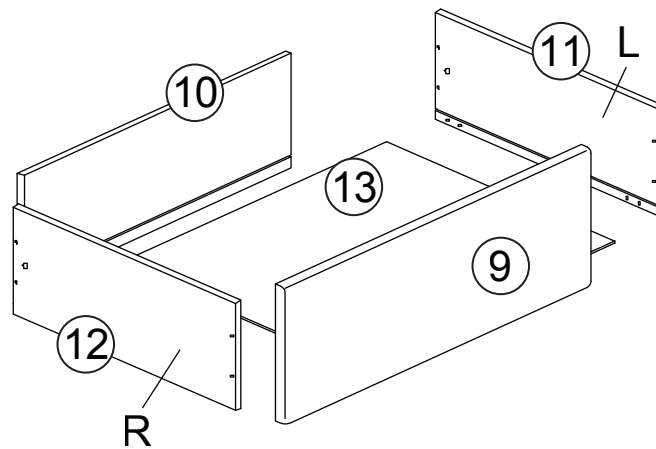
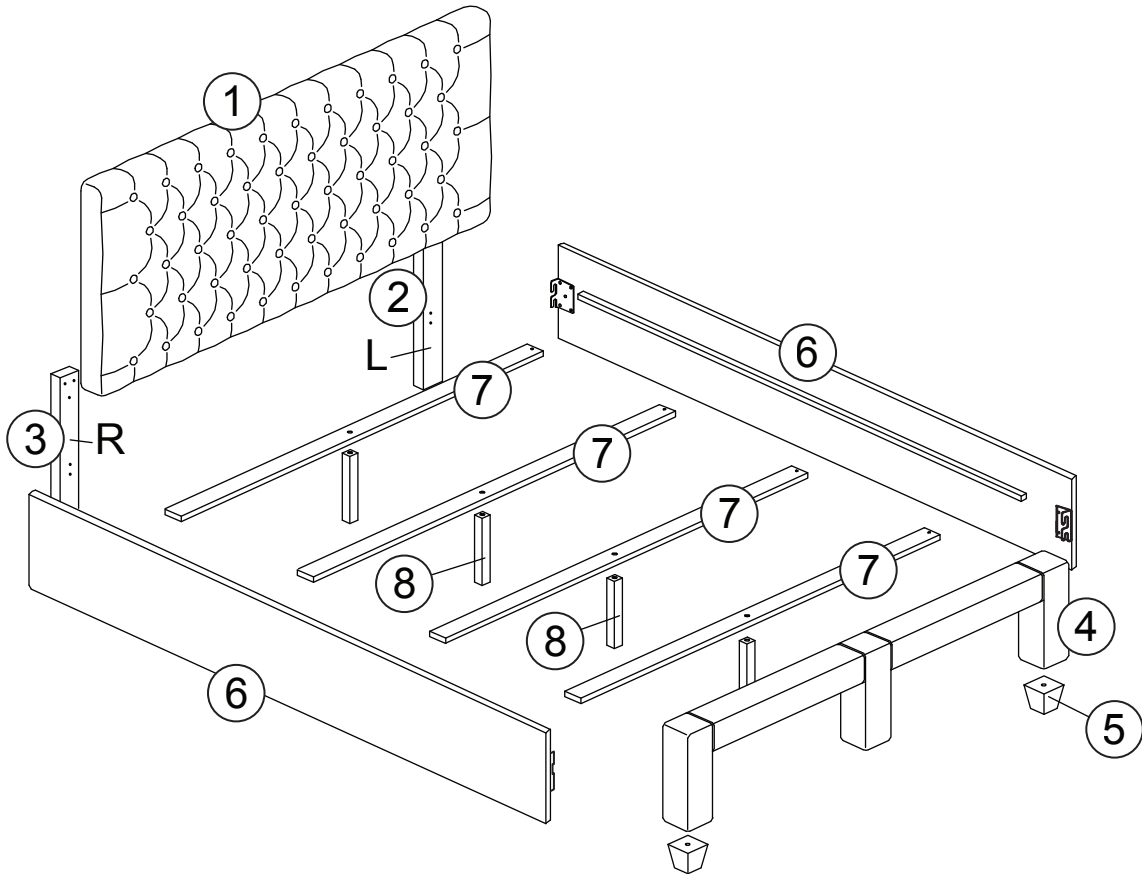
# -QUEEN BED ASSEMBLY INSTRUCTION

## PARTS LIST

ITEM	DESCRIPTION	DRAWING	QTY
10	DRAWER BACK		2 PCS
11	DRAWER SIDE (L)		2 PCS
12	DRAWER SIDE (R)		2 PCS
13	BOTTOM PANEL		2 PCS
14	RAIL		4 PCS
15	CASTER		8 PCS

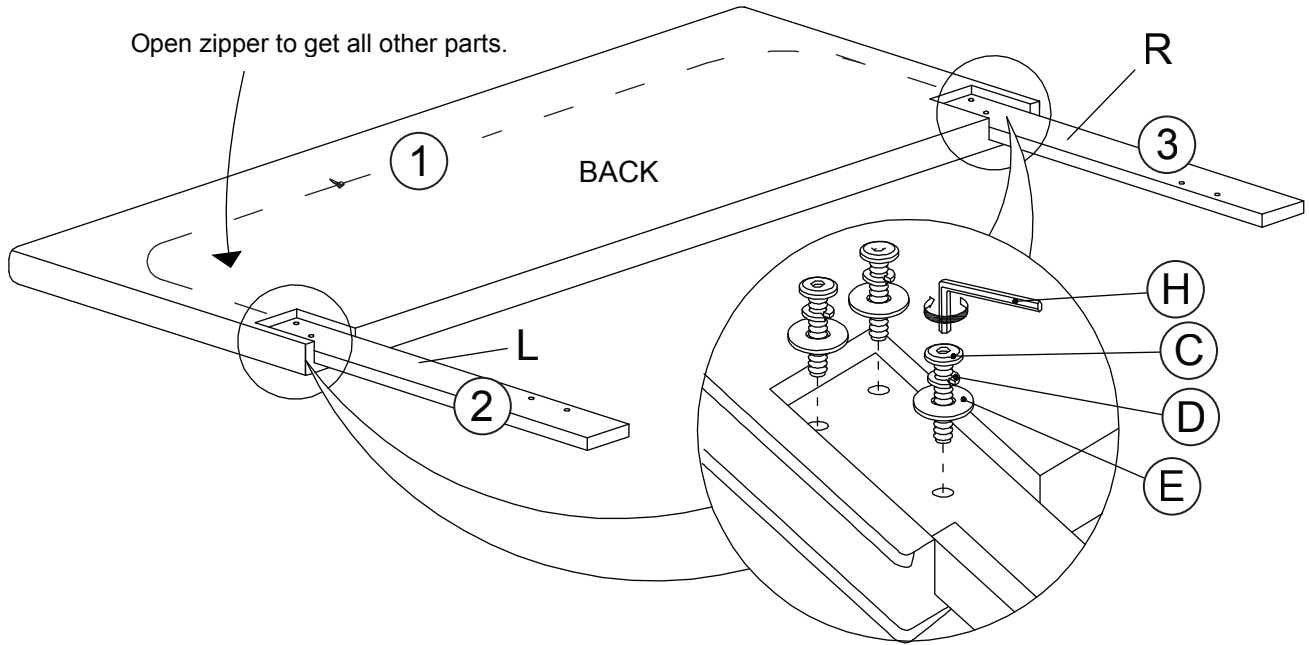
# -QUEEN BED ASSEMBLY INSTRUCTION

## PARTS ' LOCATION

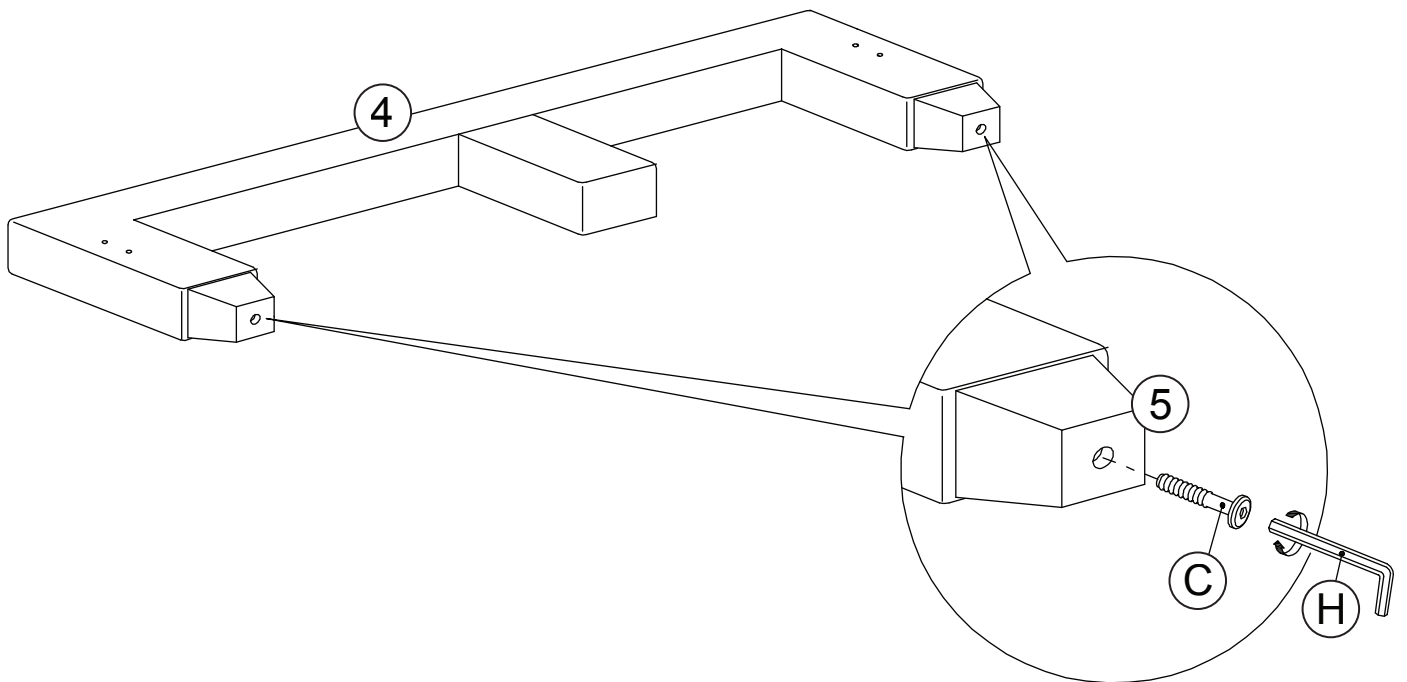


# -QUEEN BED ASSEMBLY INSTRUCTION

## STEP 1

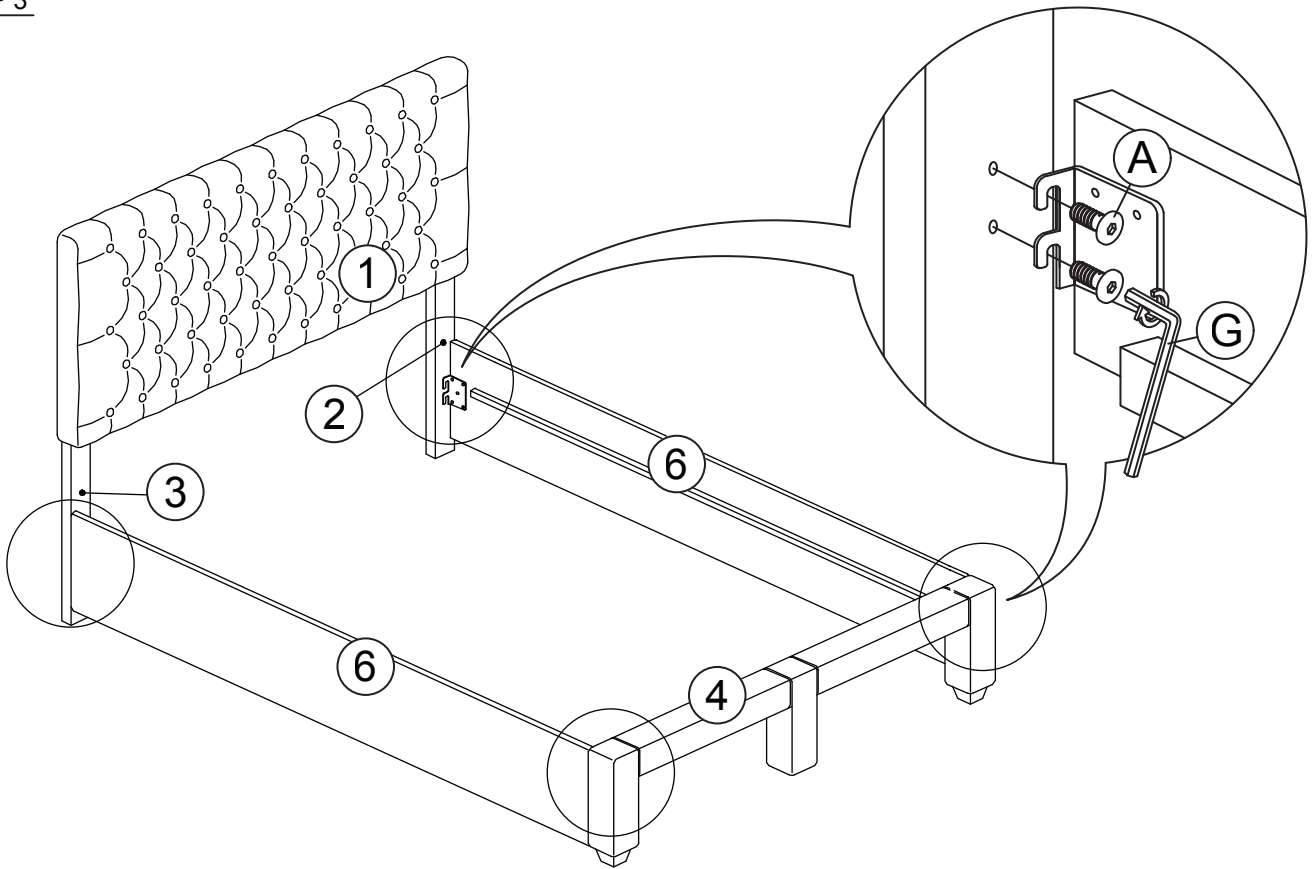


## STEP 2



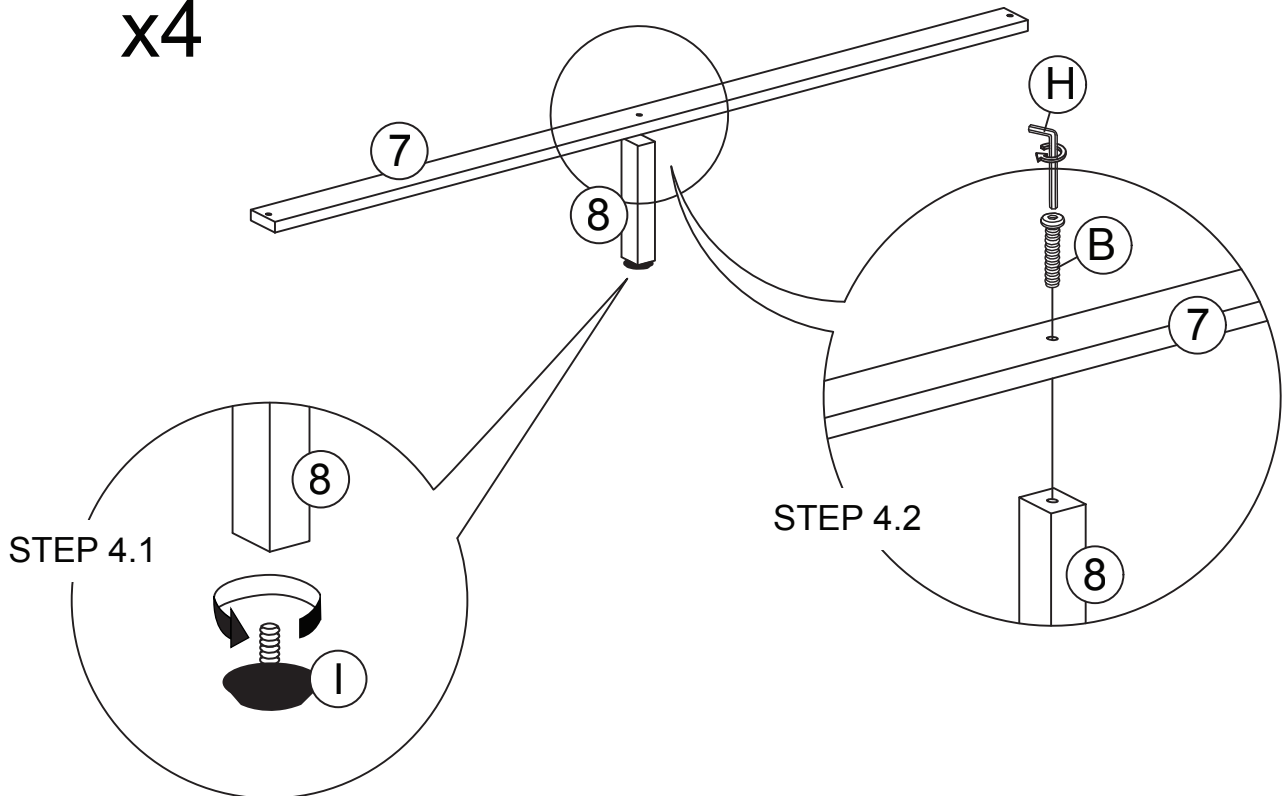
# -QUEEN BED ASSEMBLY INSTRUCTION

## STEP 3



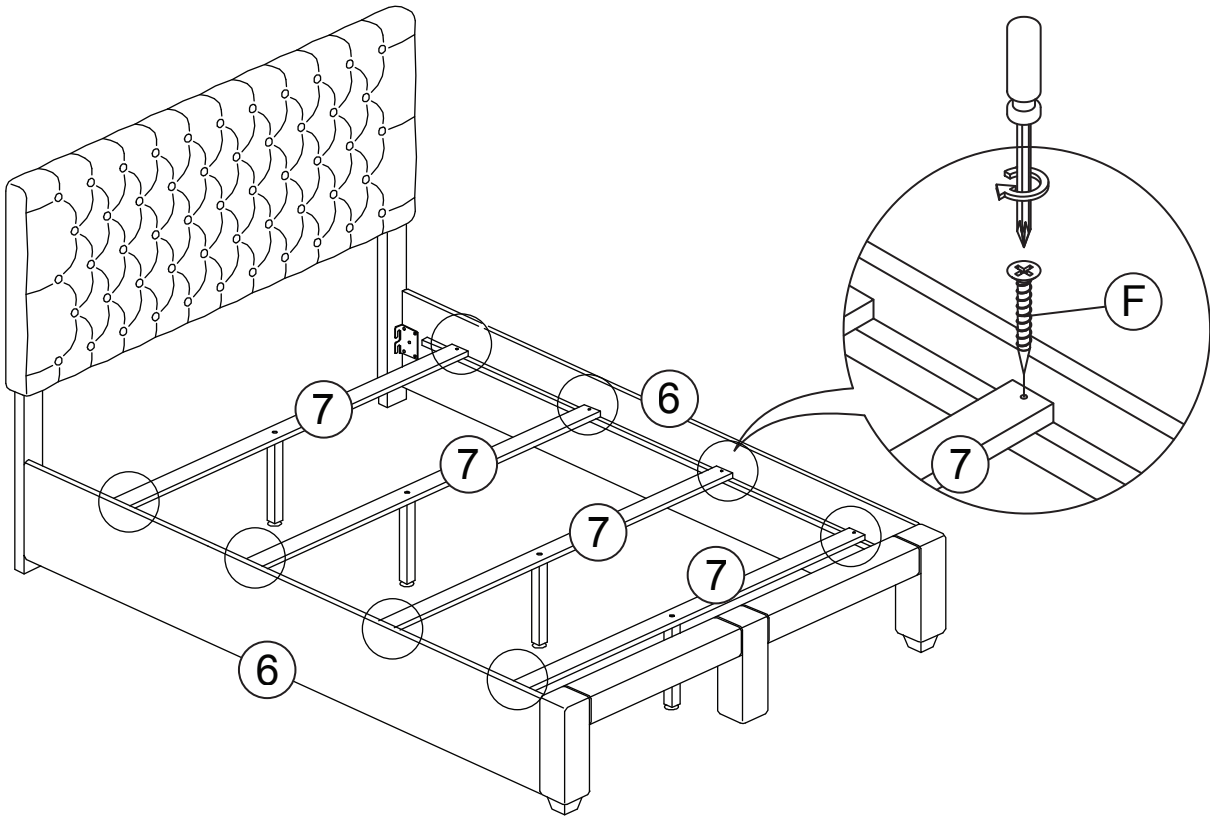
## STEP 4

x4

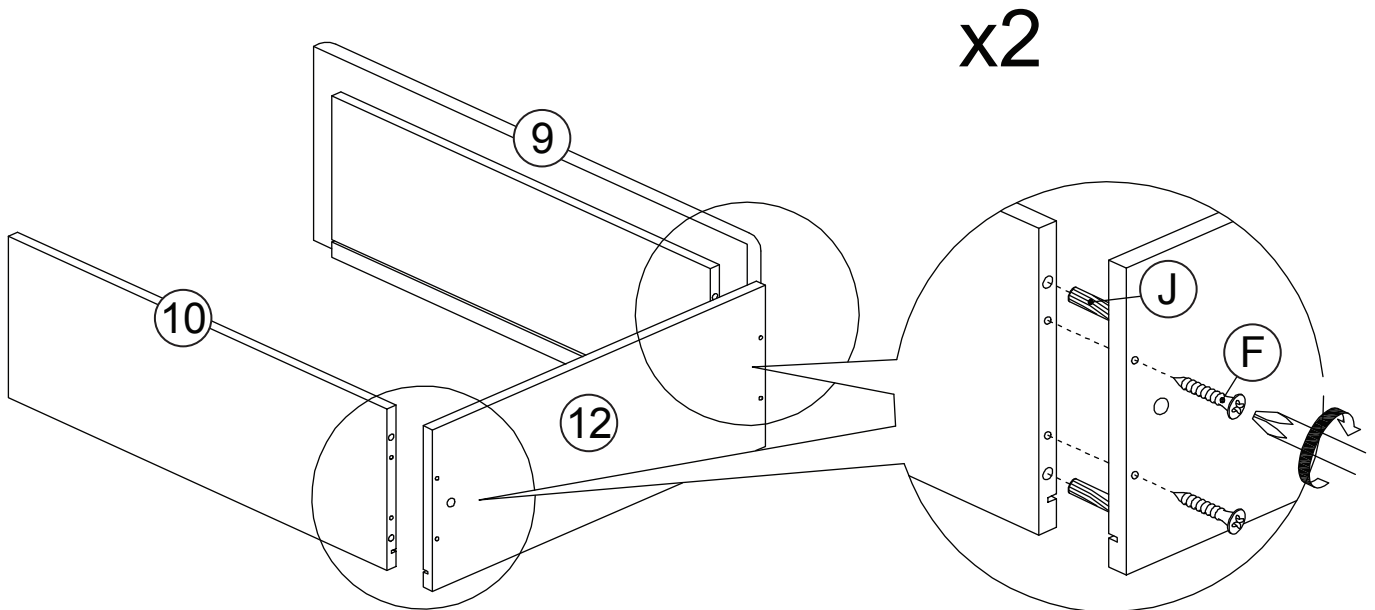


# -QUEEN BED ASSEMBLY INSTRUCTION

## STEP 5

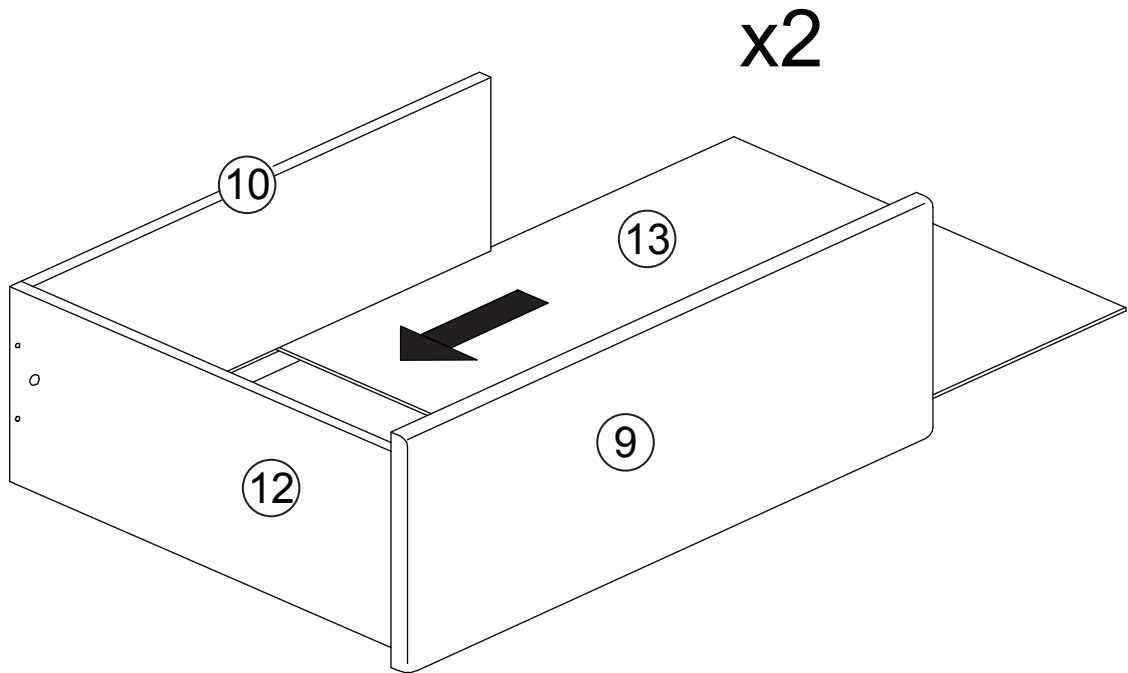


## STEP 6

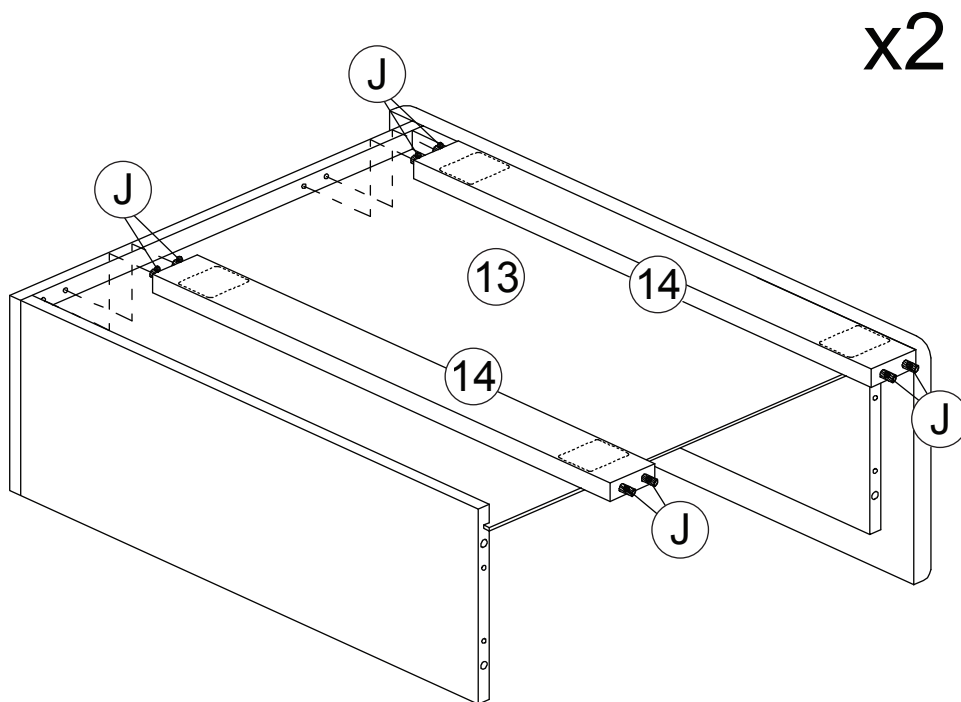


- INSTRUCTION

STEP 7



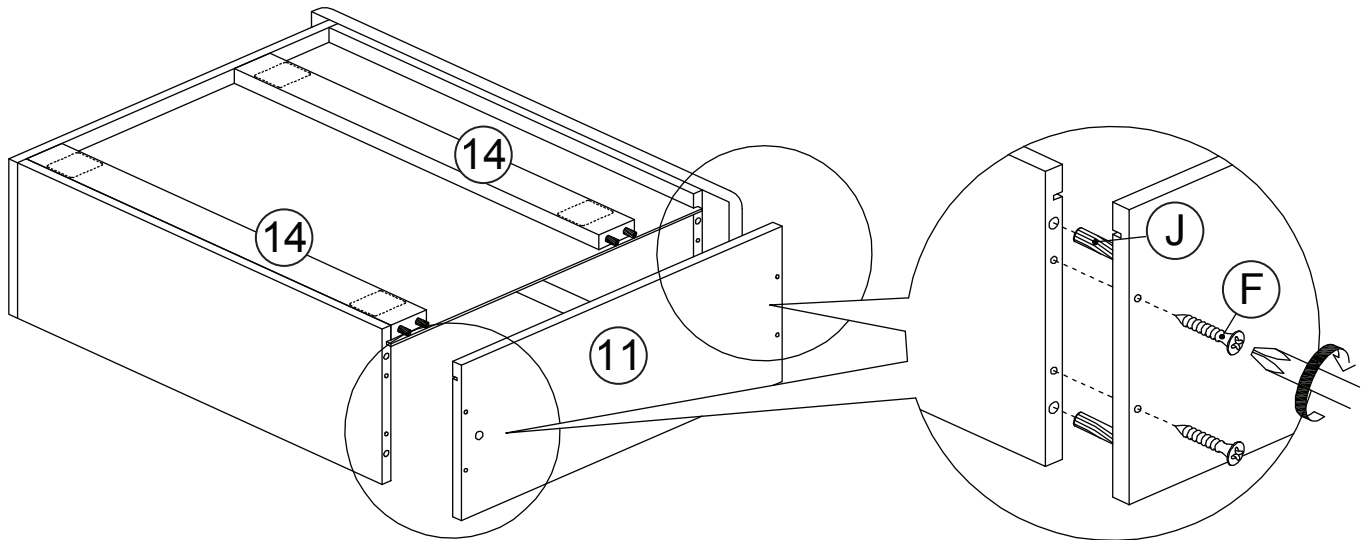
STEP 8



- INSTRUCTION

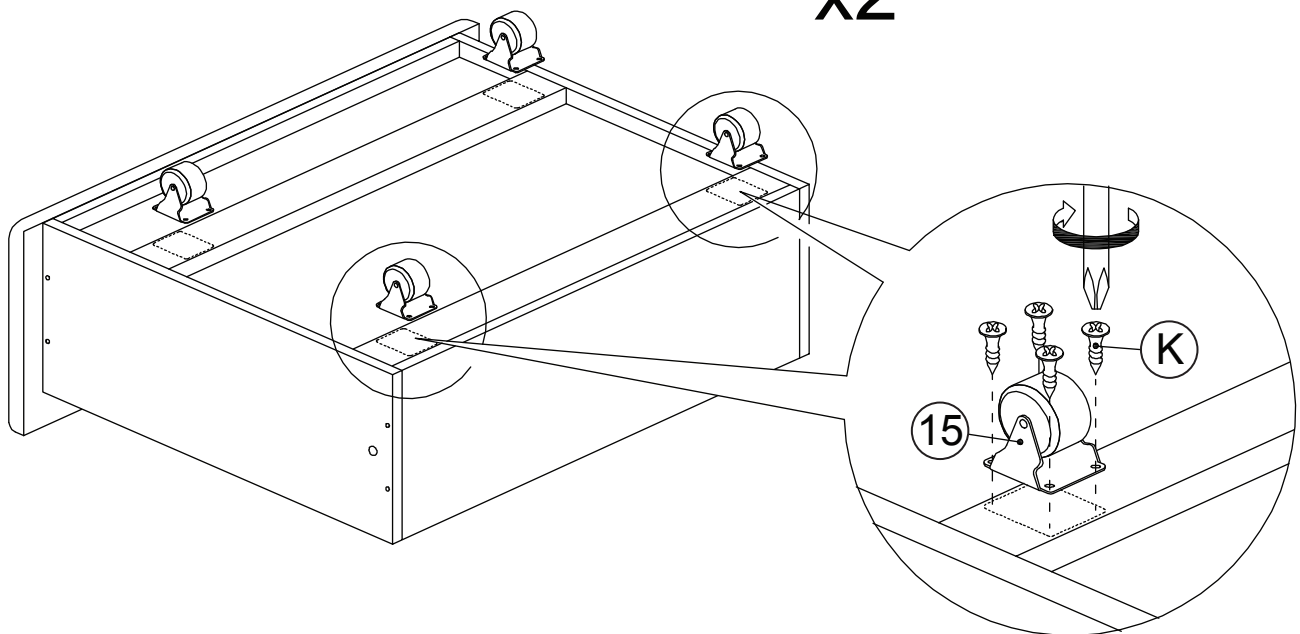
STEP 9

x2



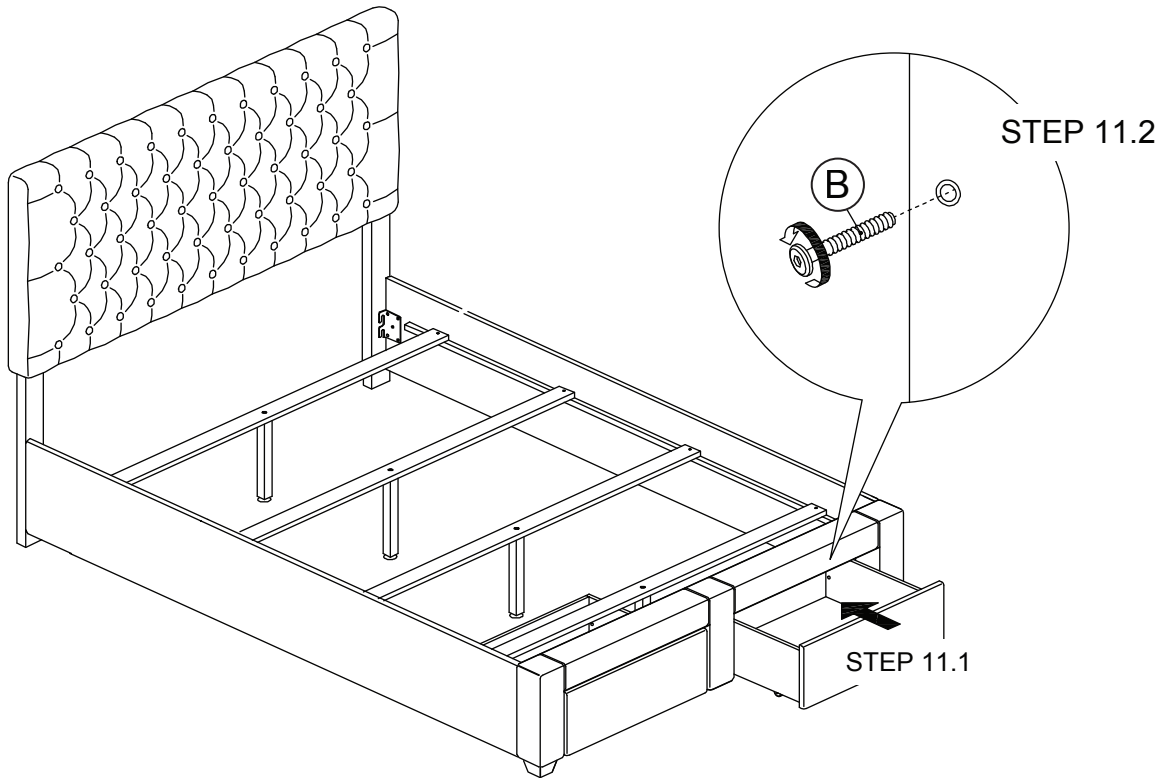
STEP 10

x2

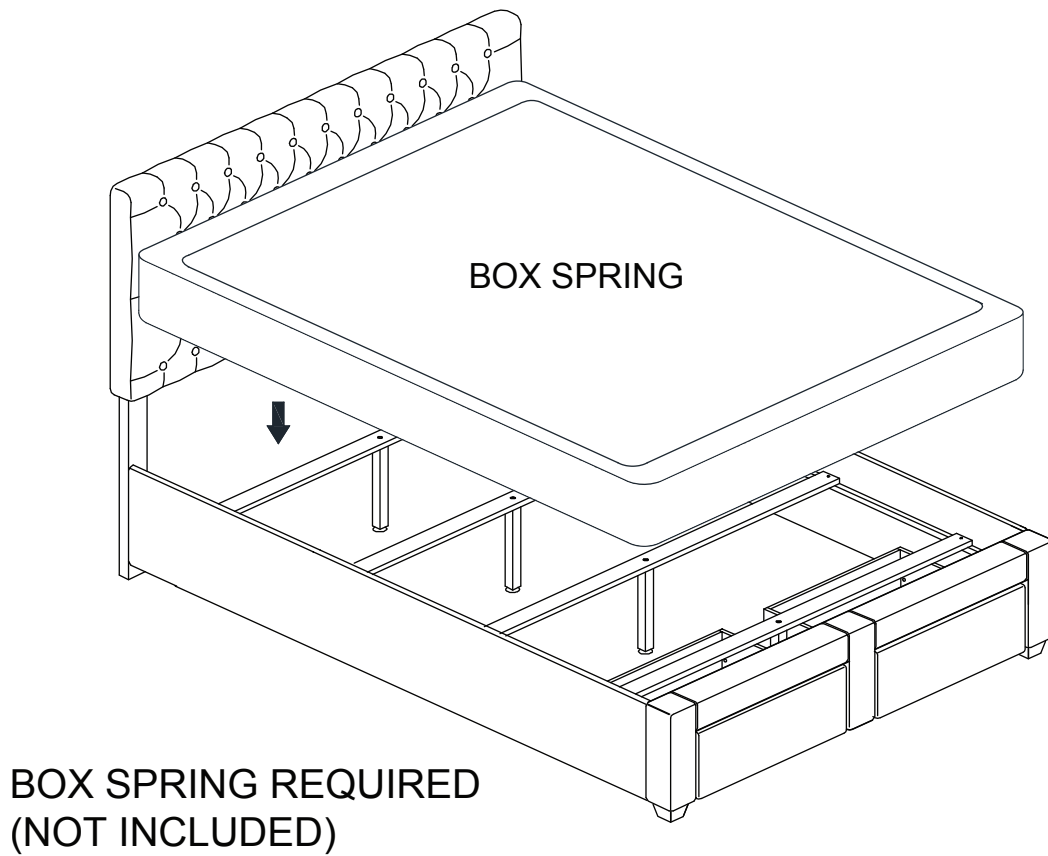


# - INSTRUCTION

## STEP 11

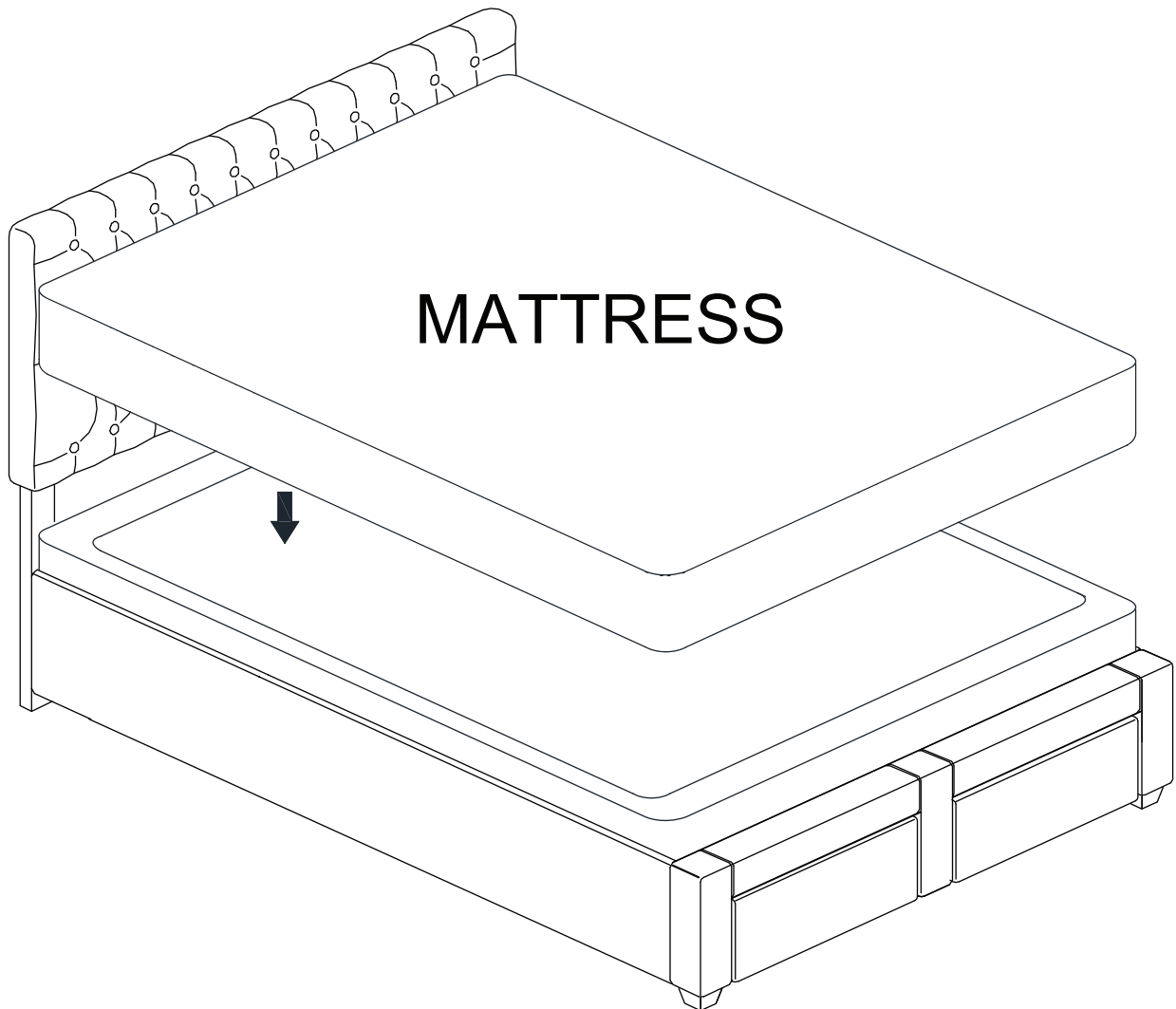


## STEP 12



- INSTRUCTION

STEP 13



MATTRESS NOT INCLUDED

**ASSEMBLY COMPLETED**