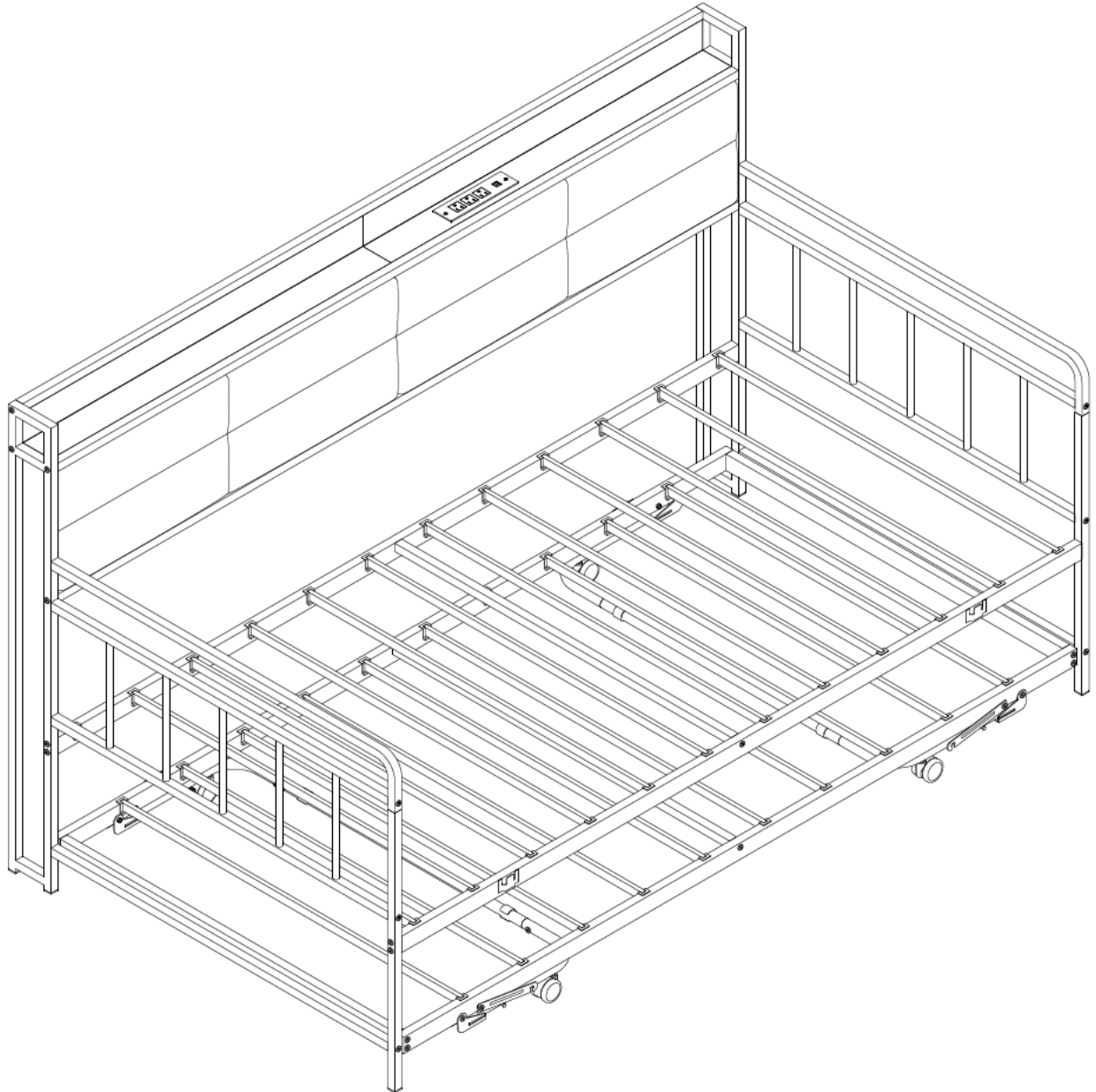


Twin Daybed with Pop Up Trundle

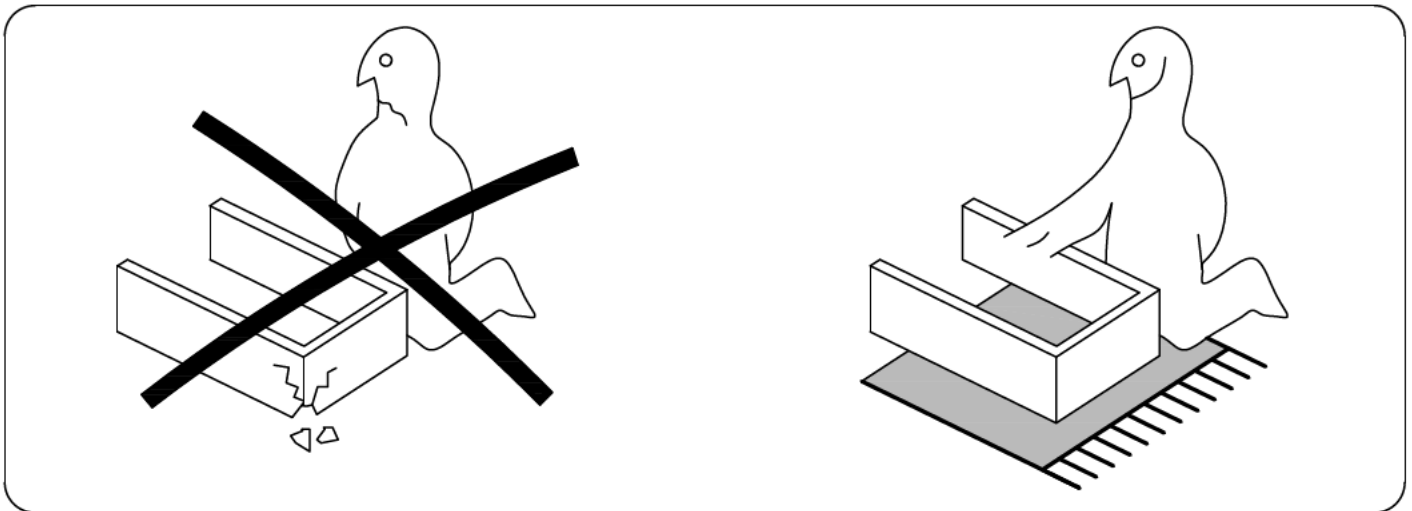


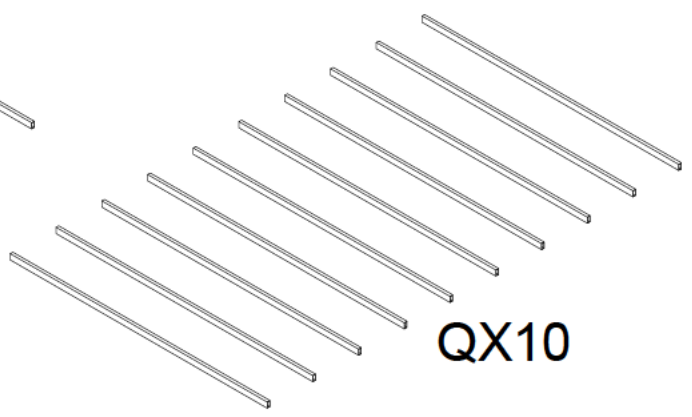
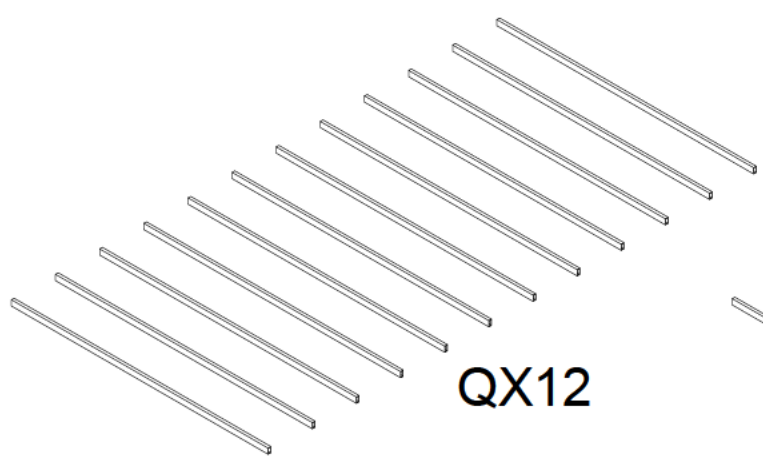
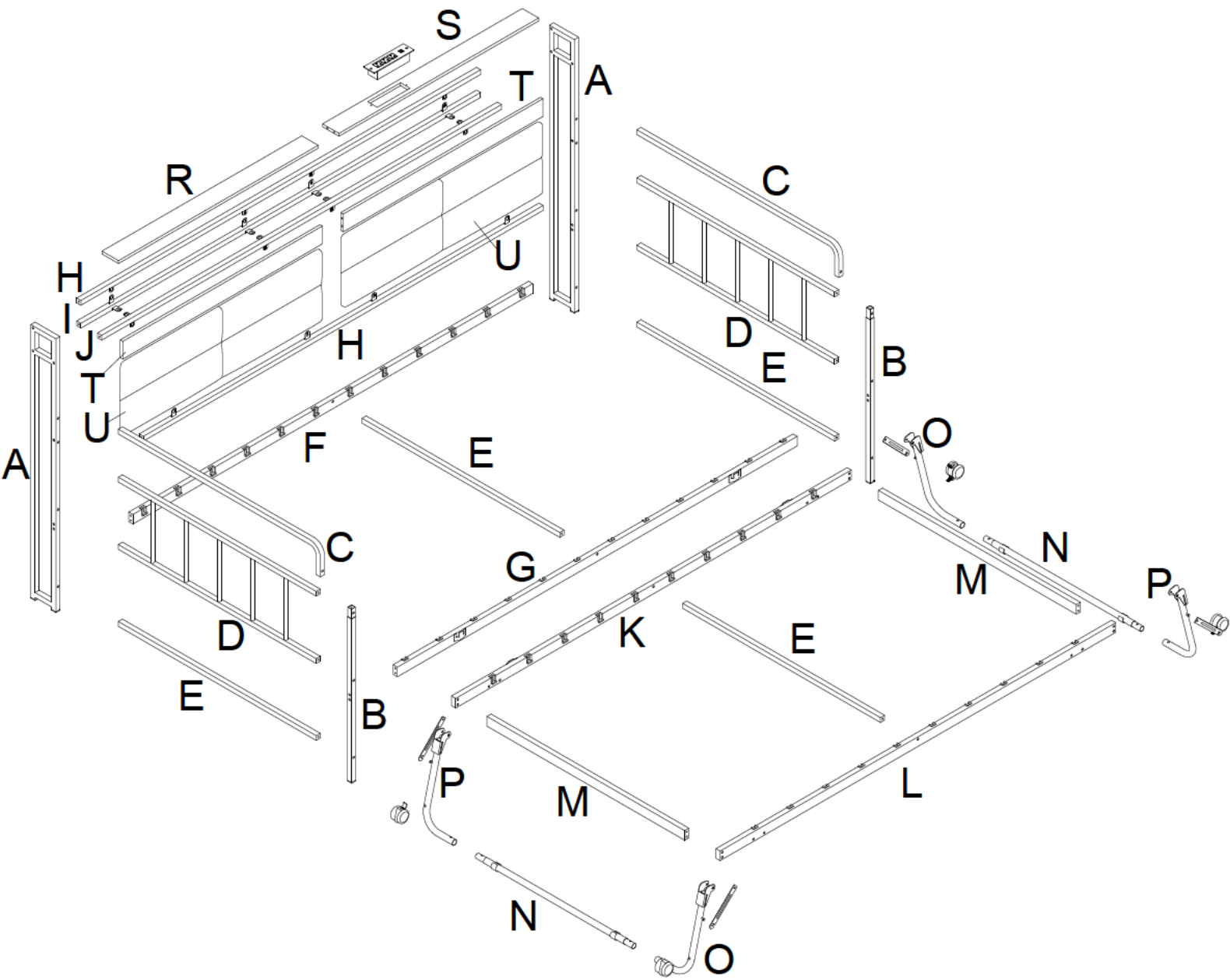
Assembly Manual

Two people are recommended to install, which will greatly improve your installation efficiency.

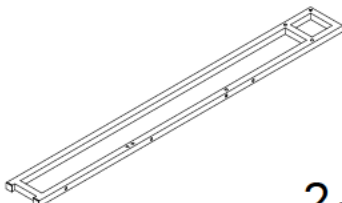
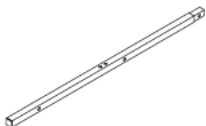
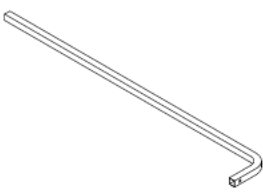
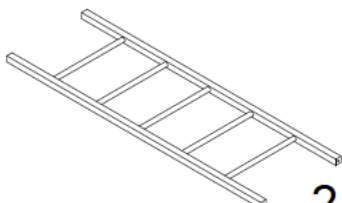
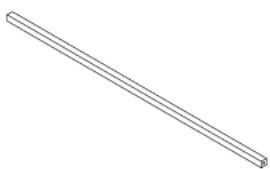

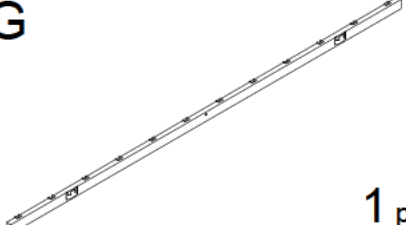
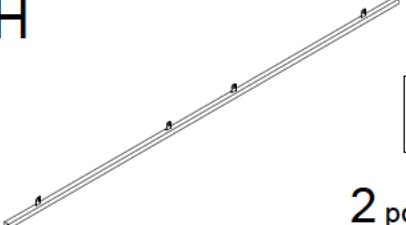
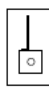
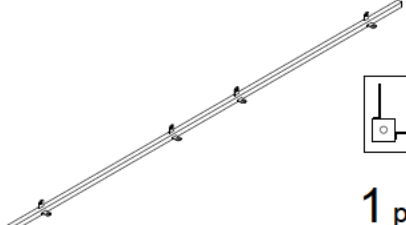
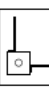
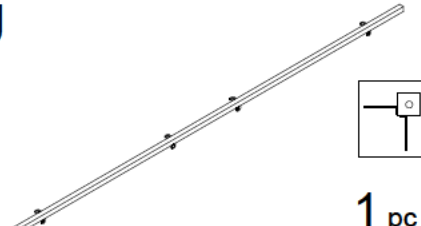
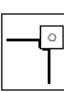
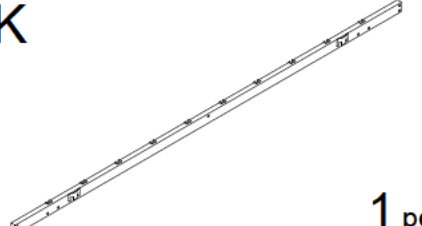
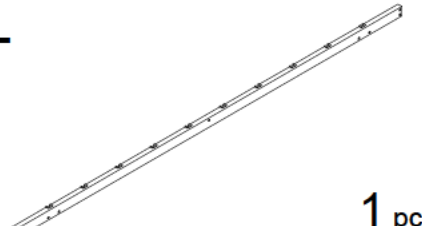
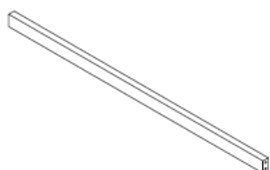
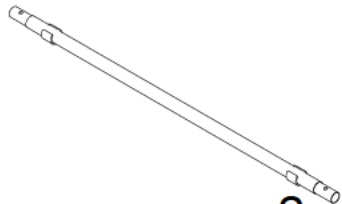

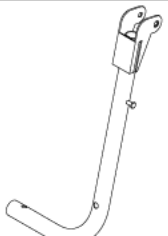

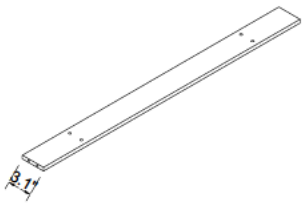
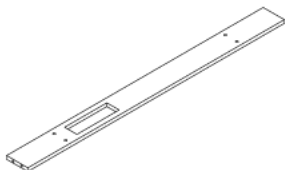
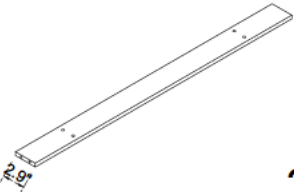
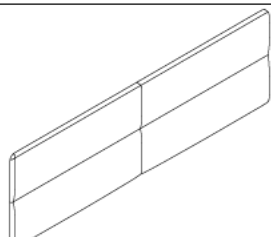
Tips Before Assembly

1. Read through each step carefully and follow the proper order.
2. Identify, sort and count all the parts with tags.
3. To avoid any scratching, putting a soft blanket on the floor is suggested.
4. If using a power drill or power screwdriver for the screwing, please be aware to slow down and stop when screw is tight. Failure to do so may result in stripping the screw.
5. Put the screws in loosely until all pieces are together and then tighten them all. It will save your time if you make a mistake while installing.


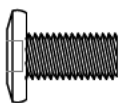
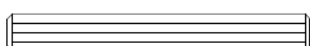
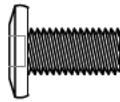



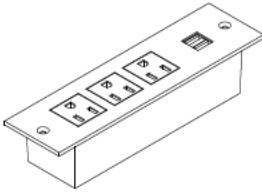


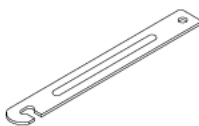

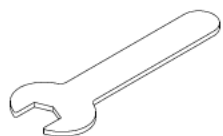
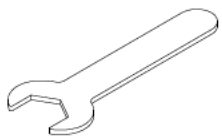
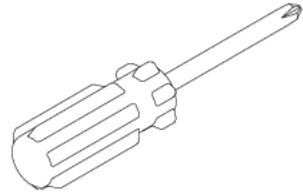




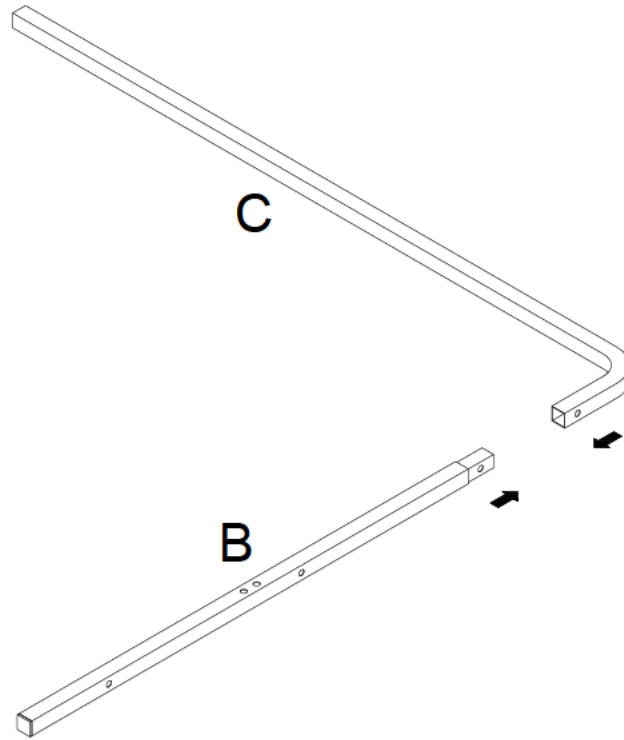
PART LIST

<p>A</p>  <p>2 pcs</p>	<p>B</p>  <p>2 pcs</p>	<p>C</p>  <p>2 pcs</p>
<p>D</p>  <p>2 pcs</p>	<p>E</p>  <p>4 pcs</p>	<p>F</p>  <p>1 pc</p>
<p>G</p>  <p>1 pc</p>	<p>H</p>  <p>2 pcs</p> 	<p>I</p>  <p>1 pc</p> 
<p>J</p>  <p>1 pc</p> 	<p>K</p>  <p>1 pc</p>	<p>L</p>  <p>1 pc</p>
<p>M</p>  <p>2 pcs</p>	<p>N</p>  <p>2 pcs</p>	<p>O</p>  <p>2 pcs</p>
<p>P</p>  <p>2 pcs</p>	<p>Q</p>  <p>22 pcs</p>	<p>R</p>  <p>1 pc</p>
<p>S</p>  <p>1 pc</p>	<p>T</p>  <p>2 pcs</p>	<p>U</p>  <p>2 pcs</p>

HARDWARE LIST

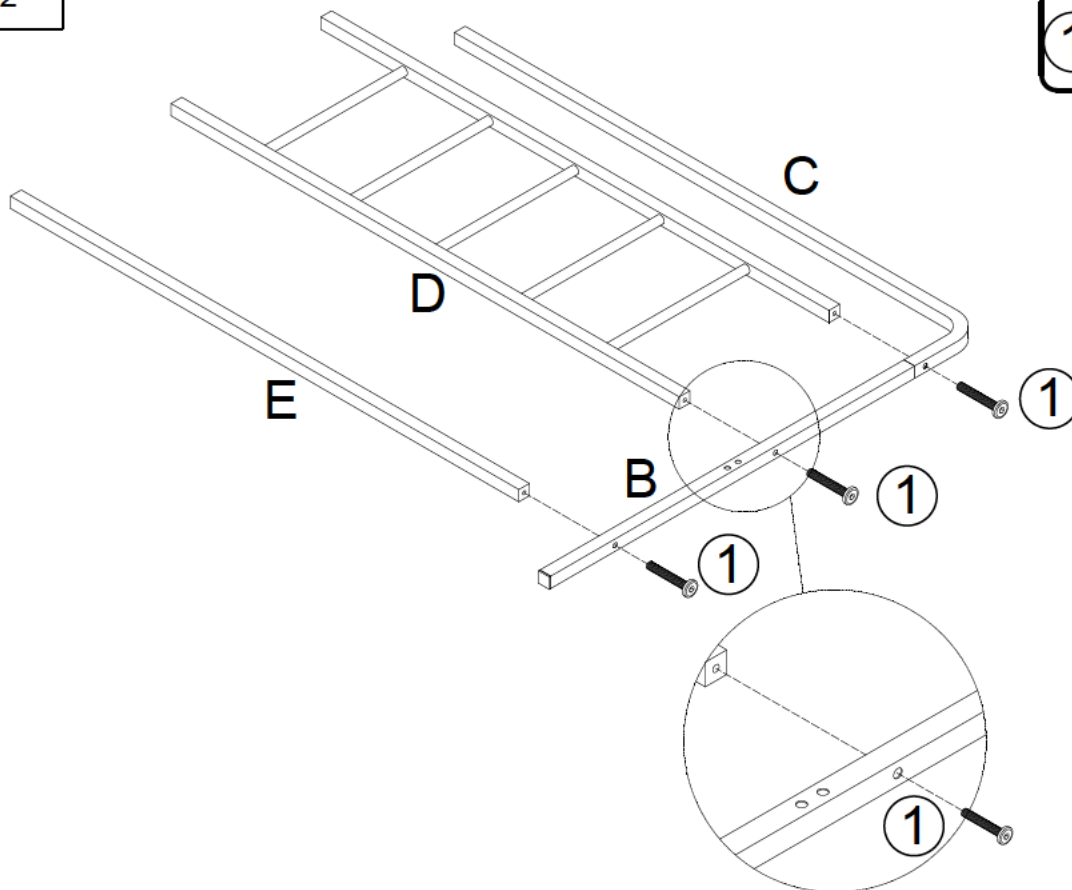
<p style="text-align: center;">①</p>  <p>M6x35 46 pcs</p>	<p style="text-align: center;">②</p>  <p>M6x12 8 pcs</p>	<p style="text-align: center;">③</p>  <p>Ø6x50 4 pcs</p>
<p style="text-align: center;">④</p>  <p>M6x10 20 pcs</p>	<p style="text-align: center;">⑤</p>  <p>M3x12 2 pcs</p>	<p style="text-align: center;">⑥</p>  <p>M6x32 4 pcs</p>
<p style="text-align: center;">⑦</p>  <p>M6 8 pcs</p>	<p style="text-align: center;">⑧</p>  <p>1 pc</p>	<p style="text-align: center;">⑨</p>  <p>M8 2 pcs</p>
<p style="text-align: center;">⑩</p>  <p>M8 2 pcs</p>	<p style="text-align: center;">⑪</p>  <p>4 pcs</p>	<p style="text-align: center;">⑫</p>  <p>M4 1 pc</p>
<p style="text-align: center;">⑬</p>  <p>10MM 1 pc</p>	<p style="text-align: center;">⑭</p>  <p>14MM 1 pc</p>	<p style="text-align: center;">⑮</p>  <p>1 pc</p>

STEP 1



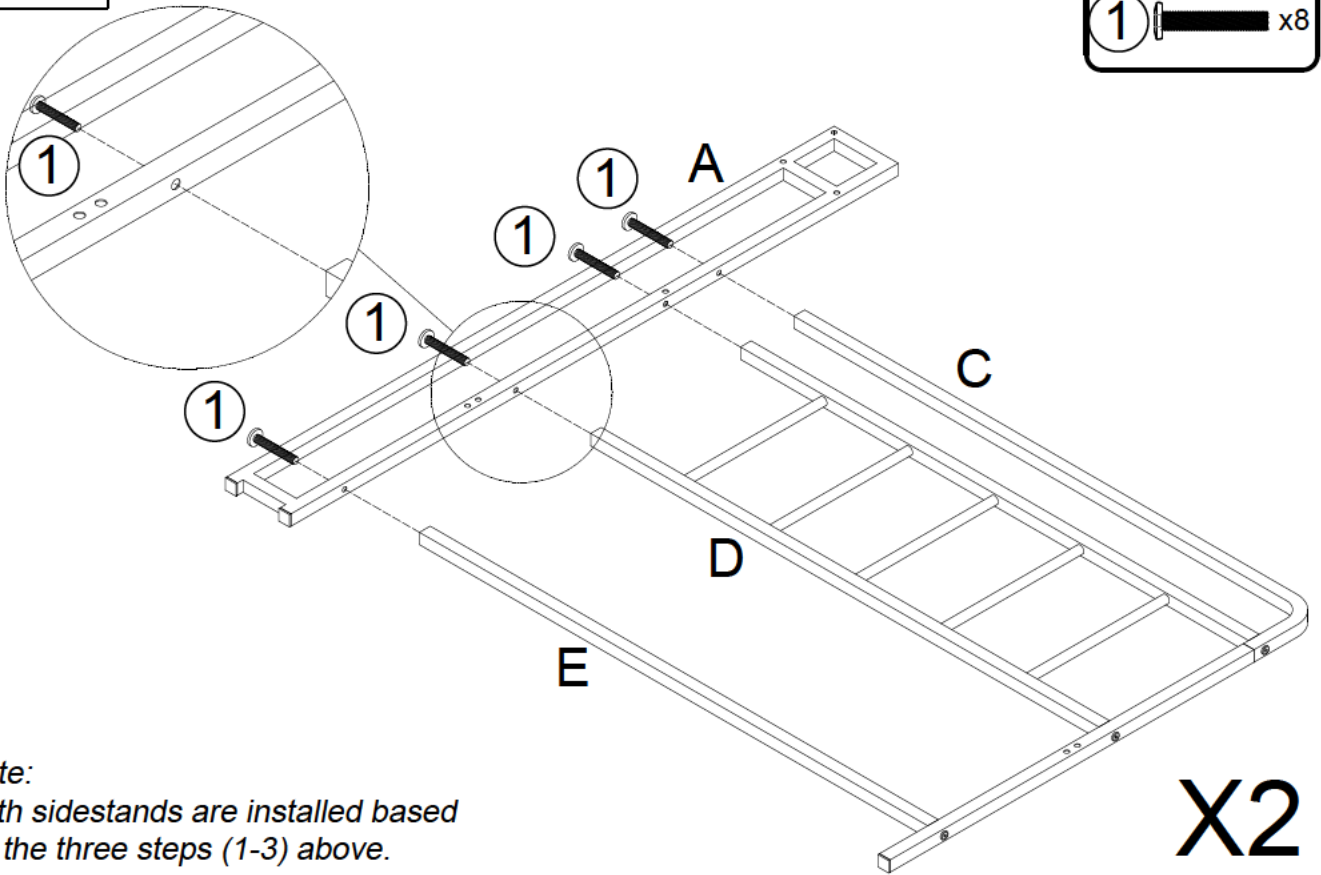
X2

STEP 2



X2

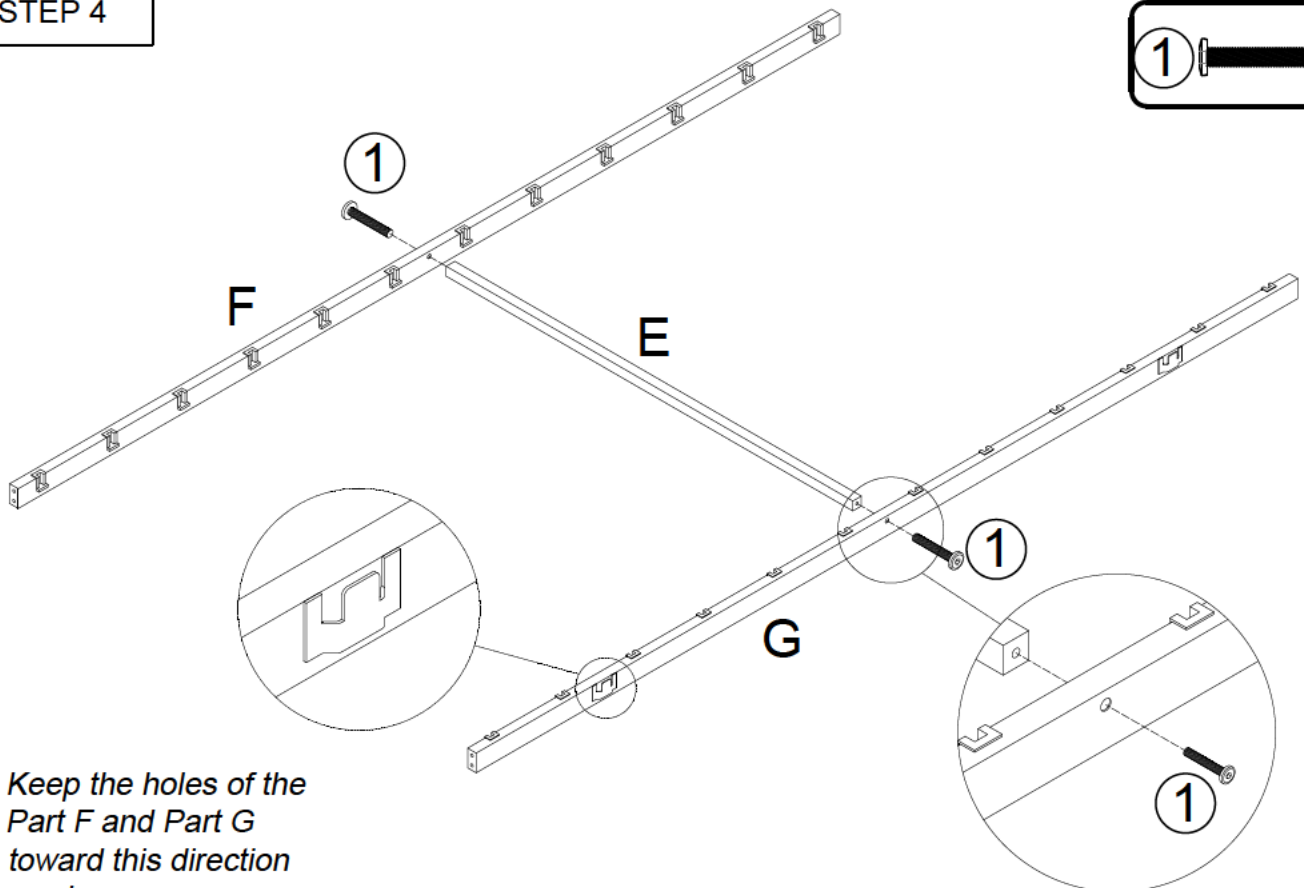
STEP 3



Note:
Both sidestands are installed based
on the three steps (1-3) above.

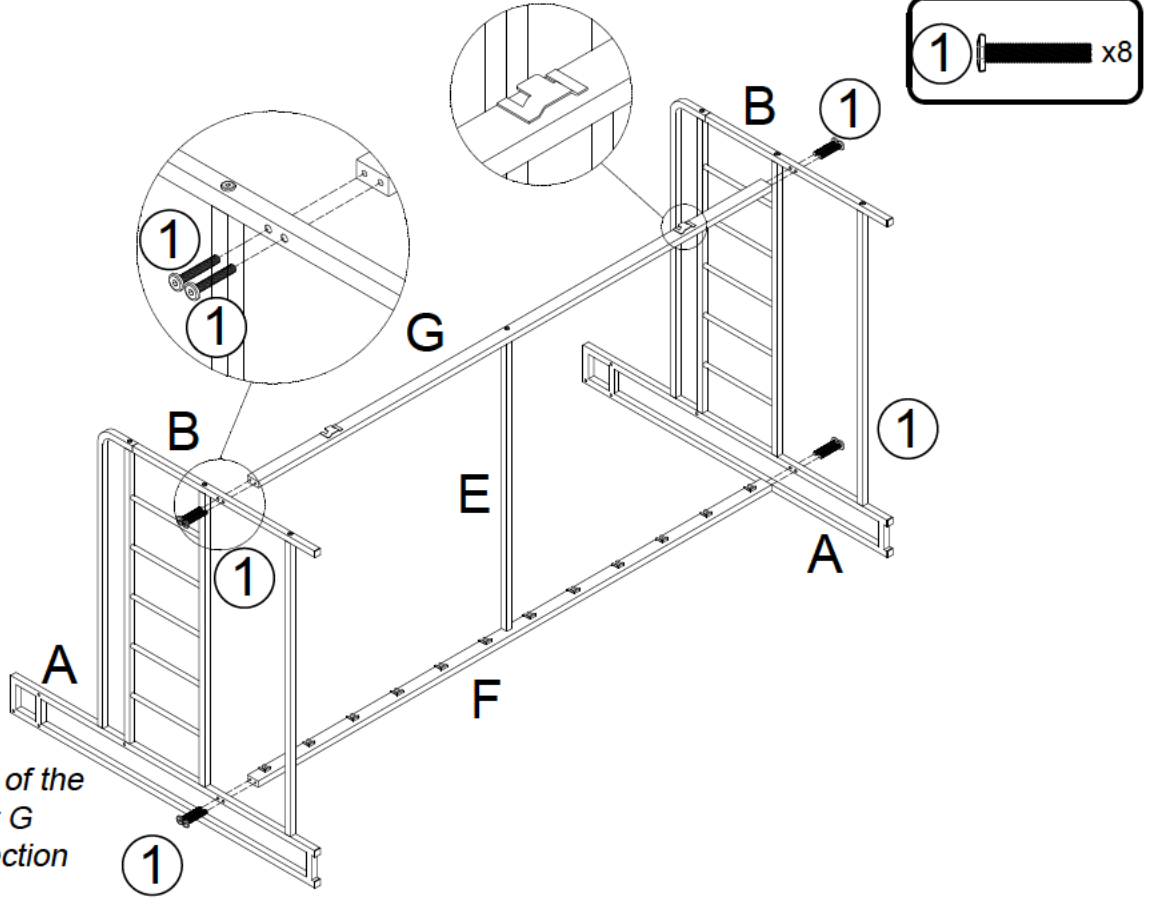
X2

STEP 4



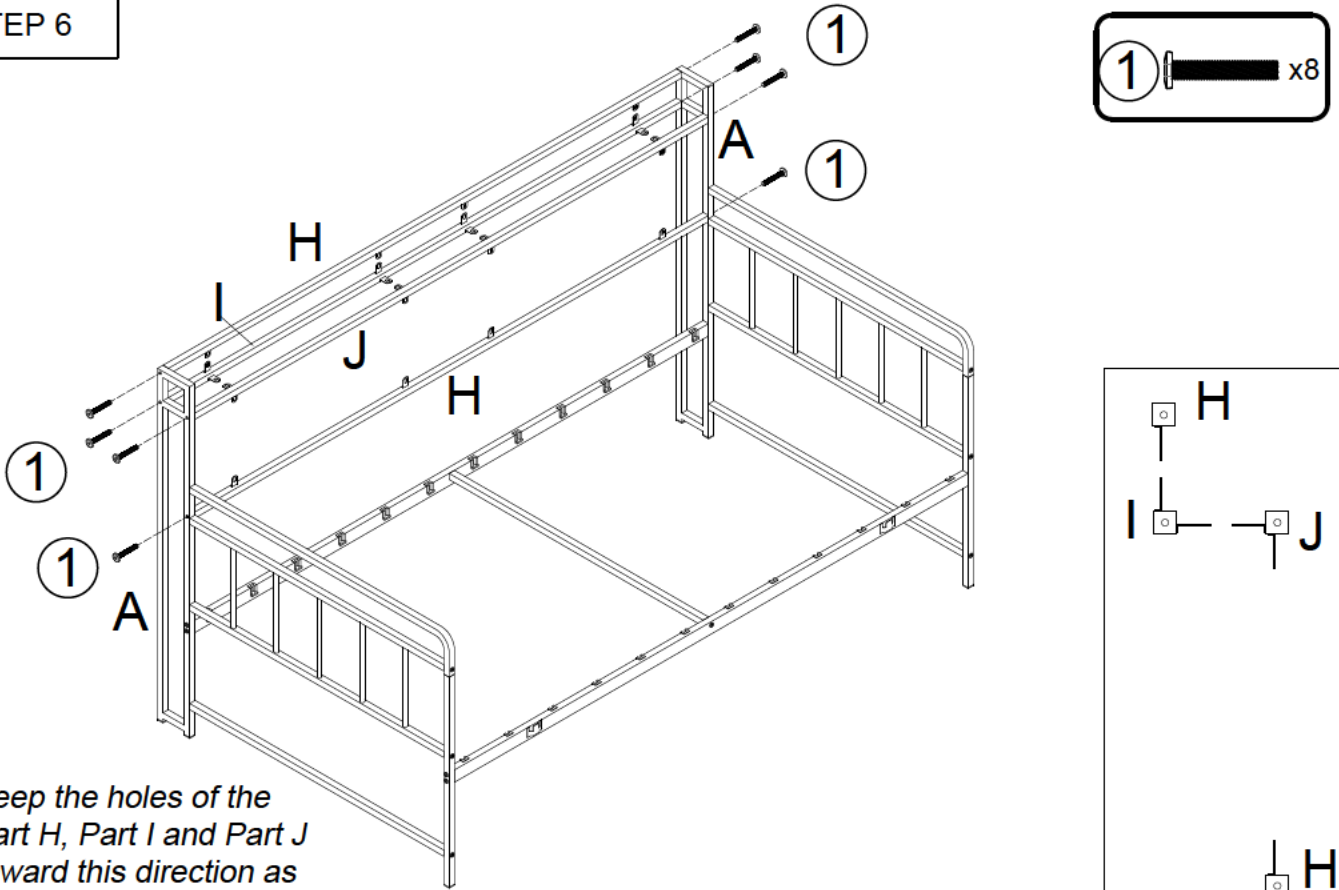
Keep the holes of the
Part F and Part G
toward this direction
as shown

STEP 5



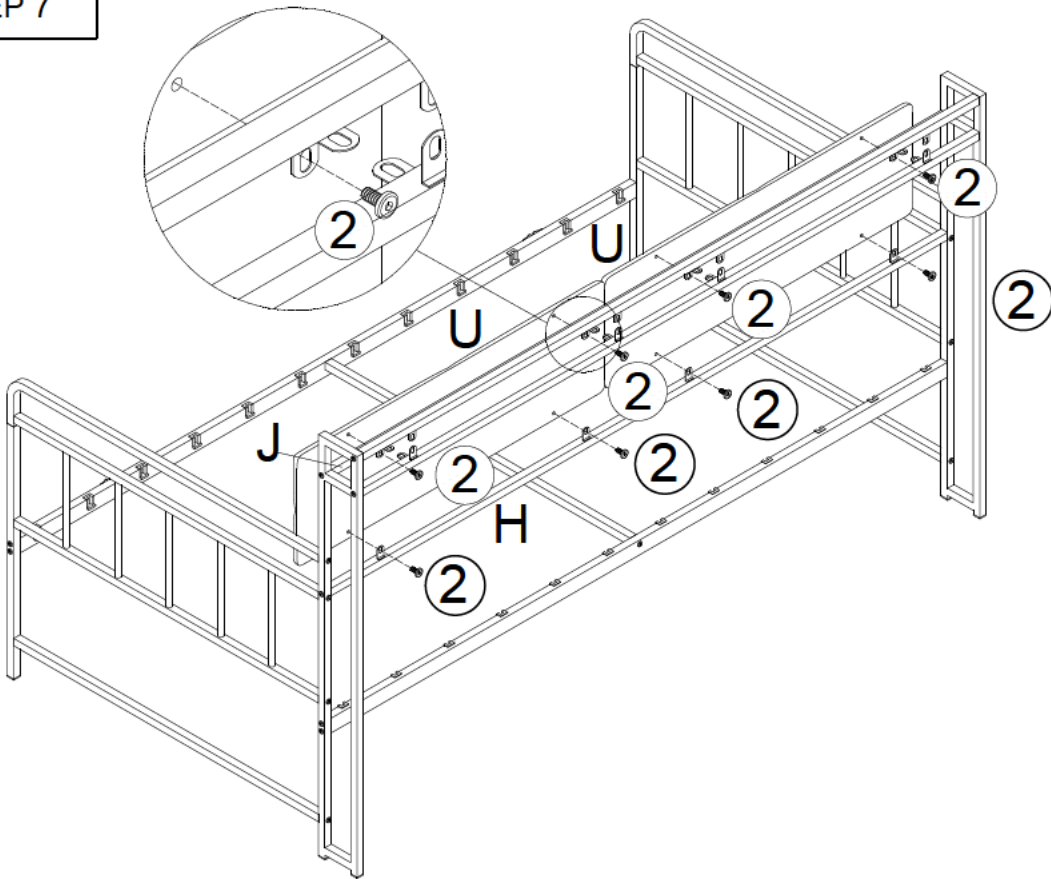
Keep the holes of the Part F and Part G toward this direction as shown

STEP 6



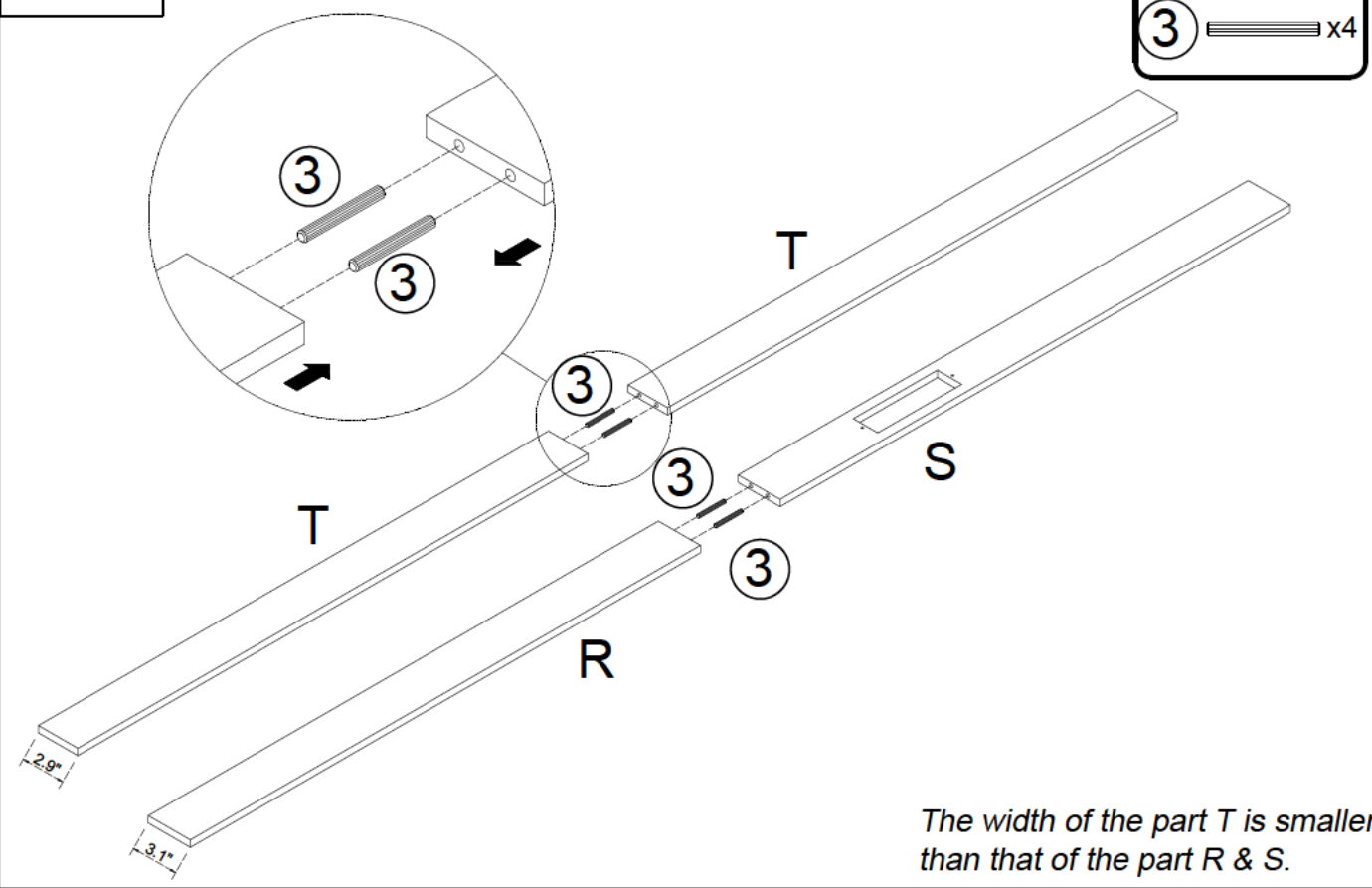
Keep the holes of the Part H, Part I and Part J toward this direction as shown

STEP 7



2 x8

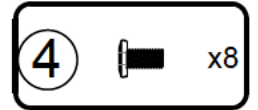
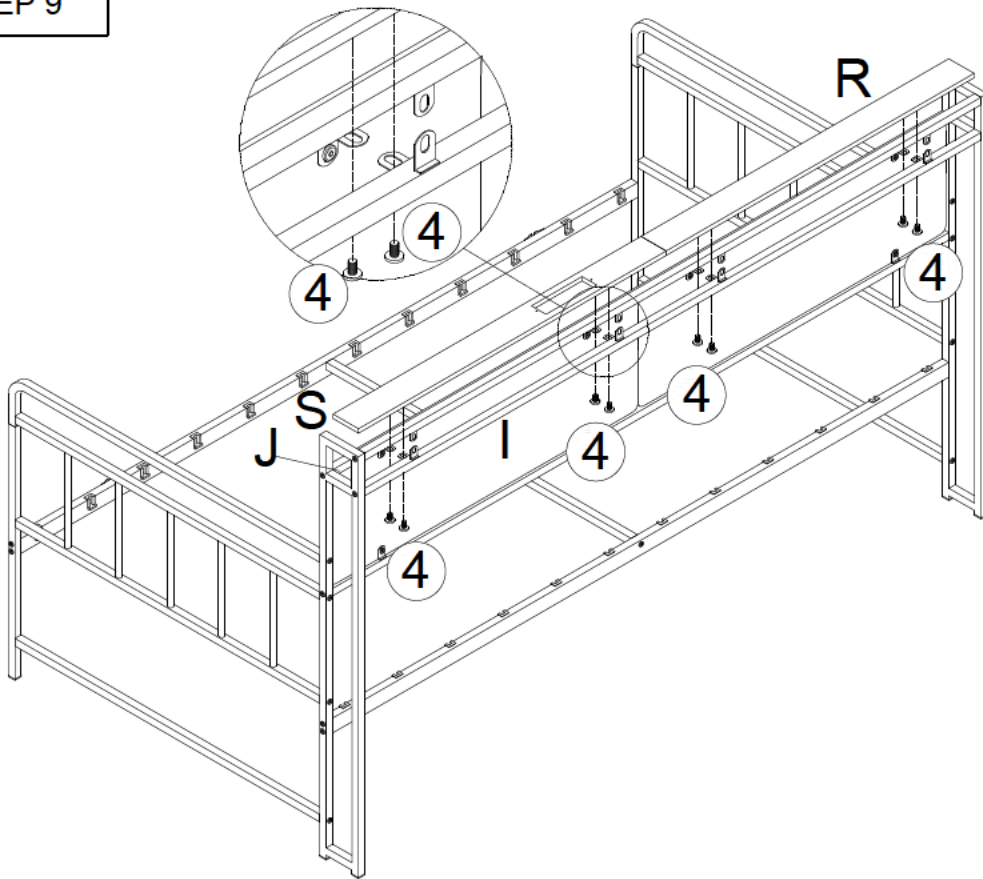
STEP 8



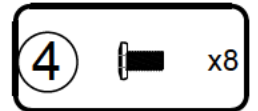
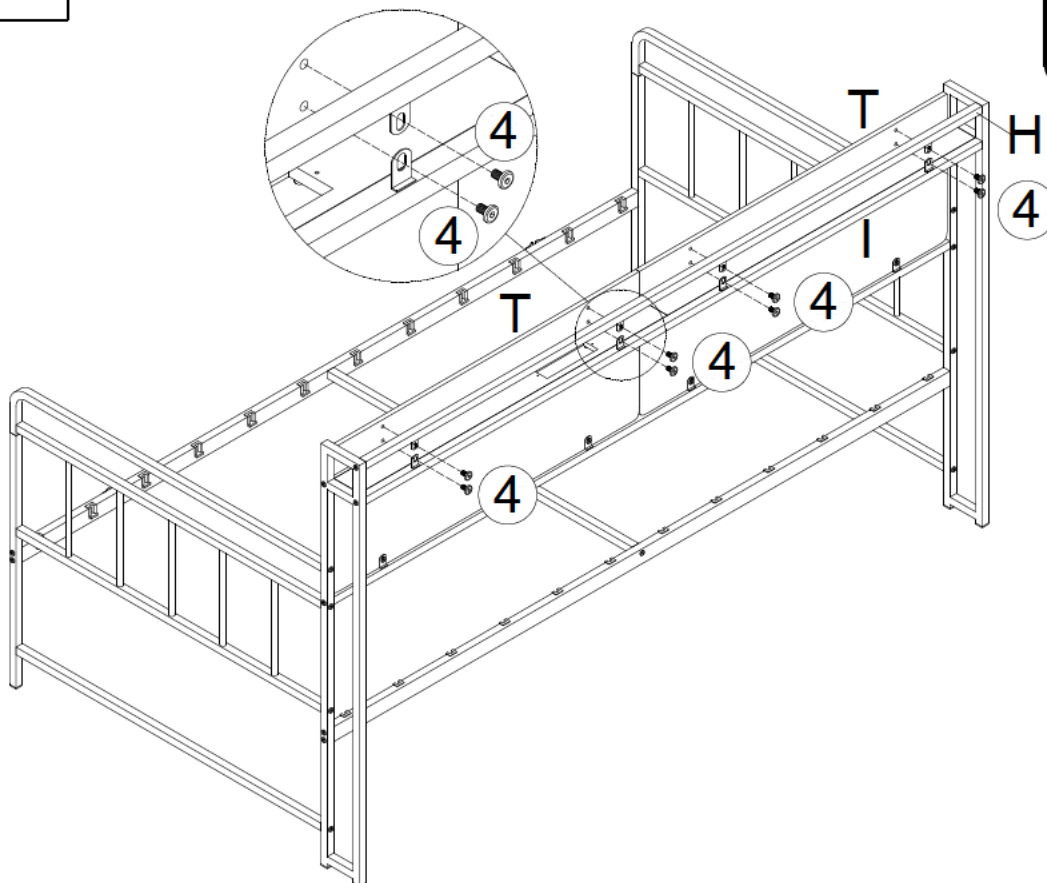
3 x4

The width of the part T is smaller than that of the part R & S.

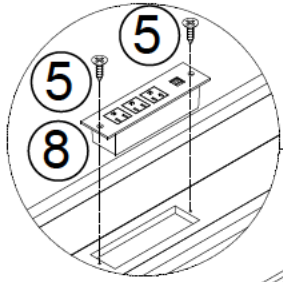
STEP 9



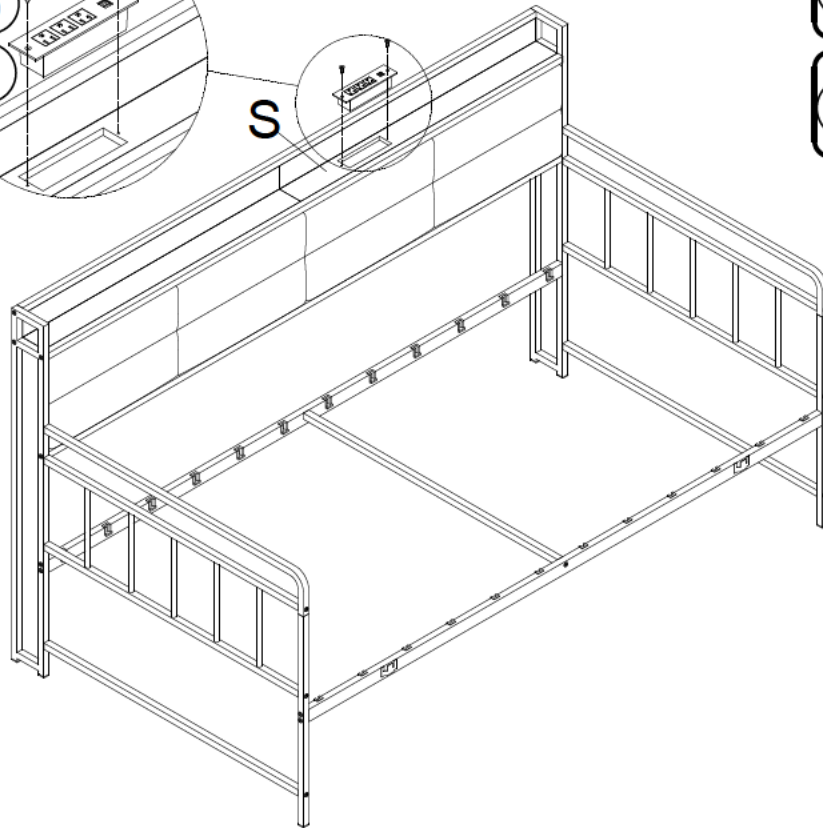
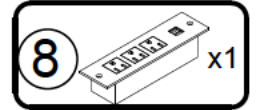
STEP 10



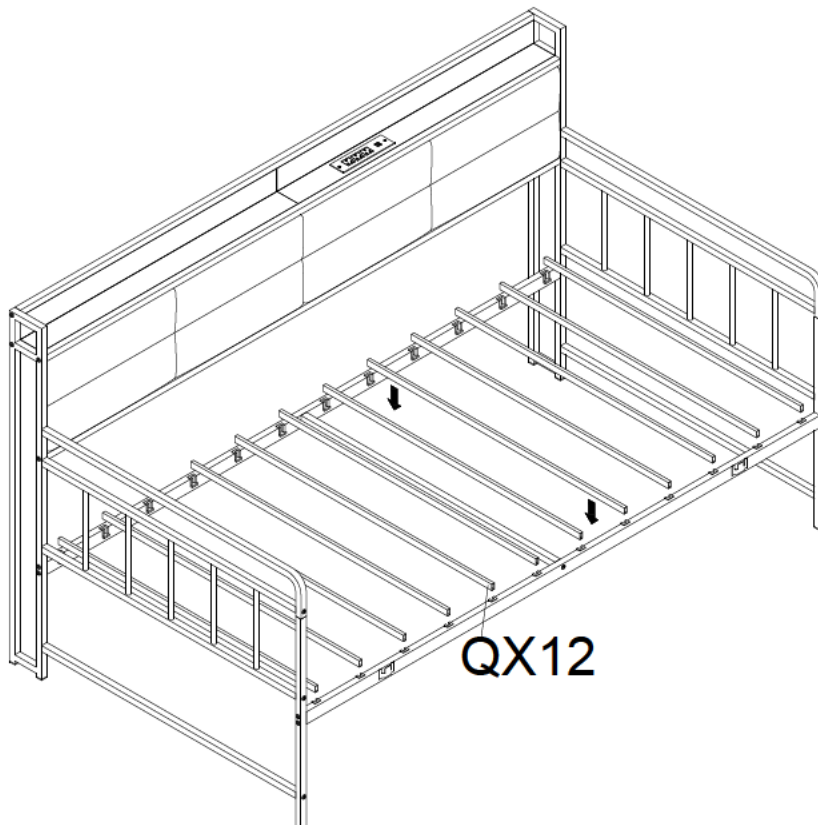
STEP 11



S



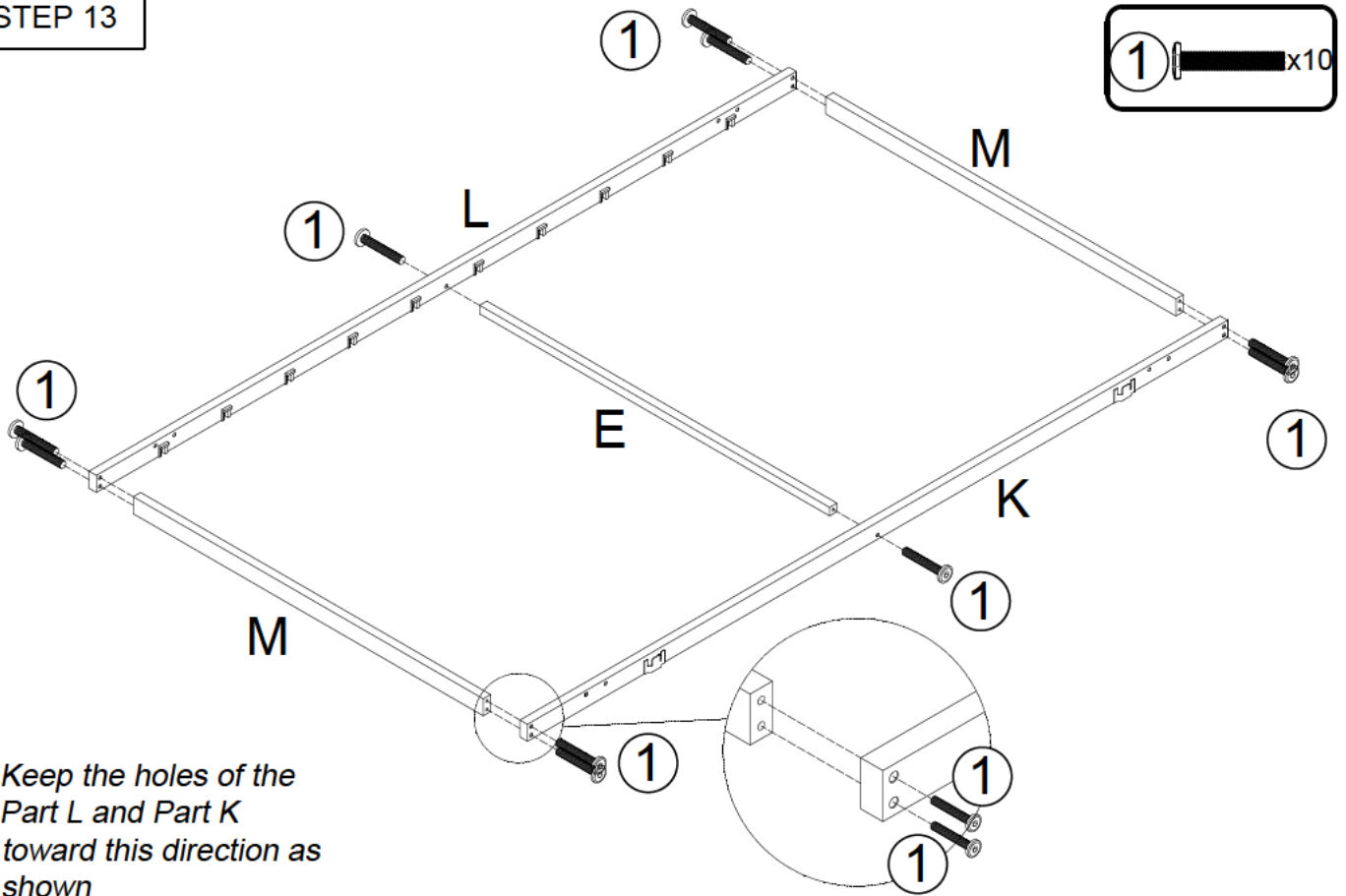
STEP 12



QX12

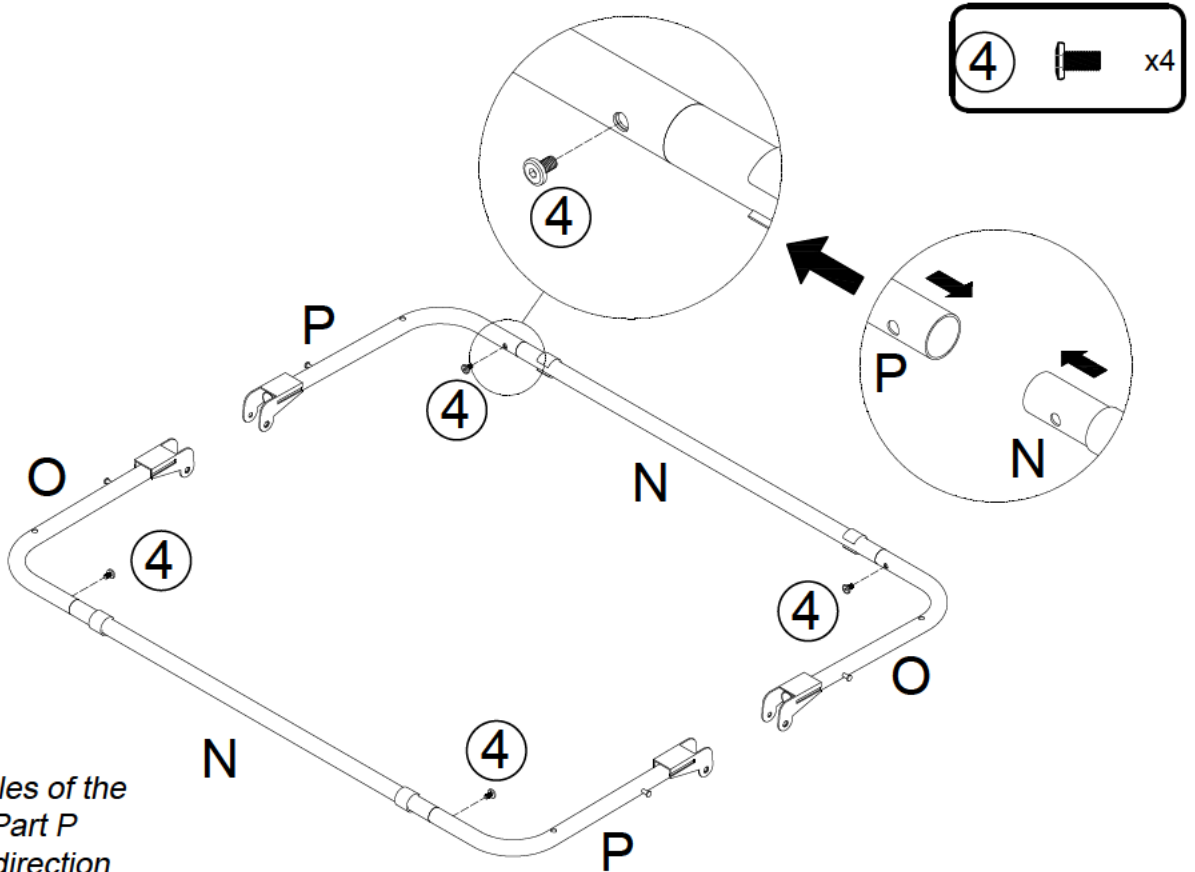
Directly stuck Part Q into the frame of Part F&G

STEP 13



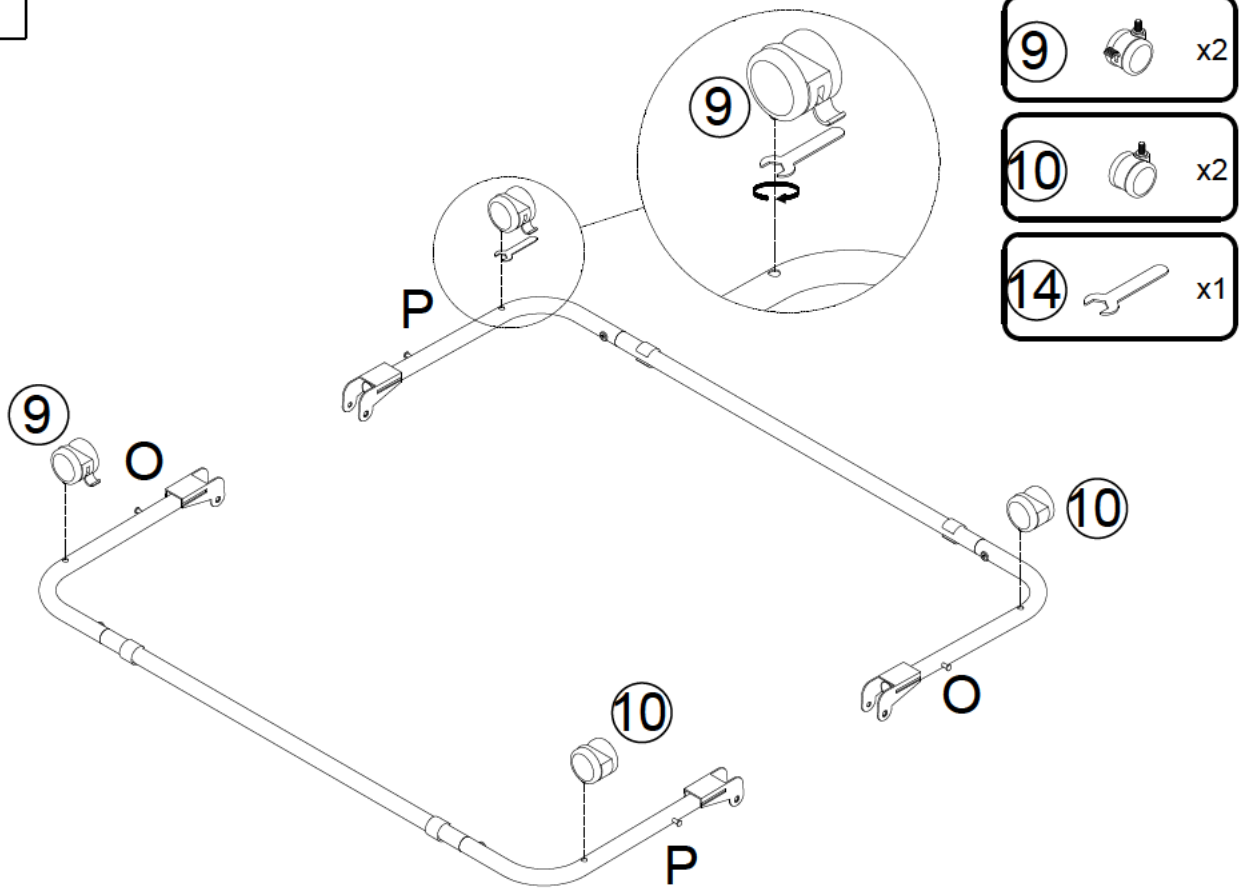
Keep the holes of the Part L and Part K toward this direction as shown

STEP 14

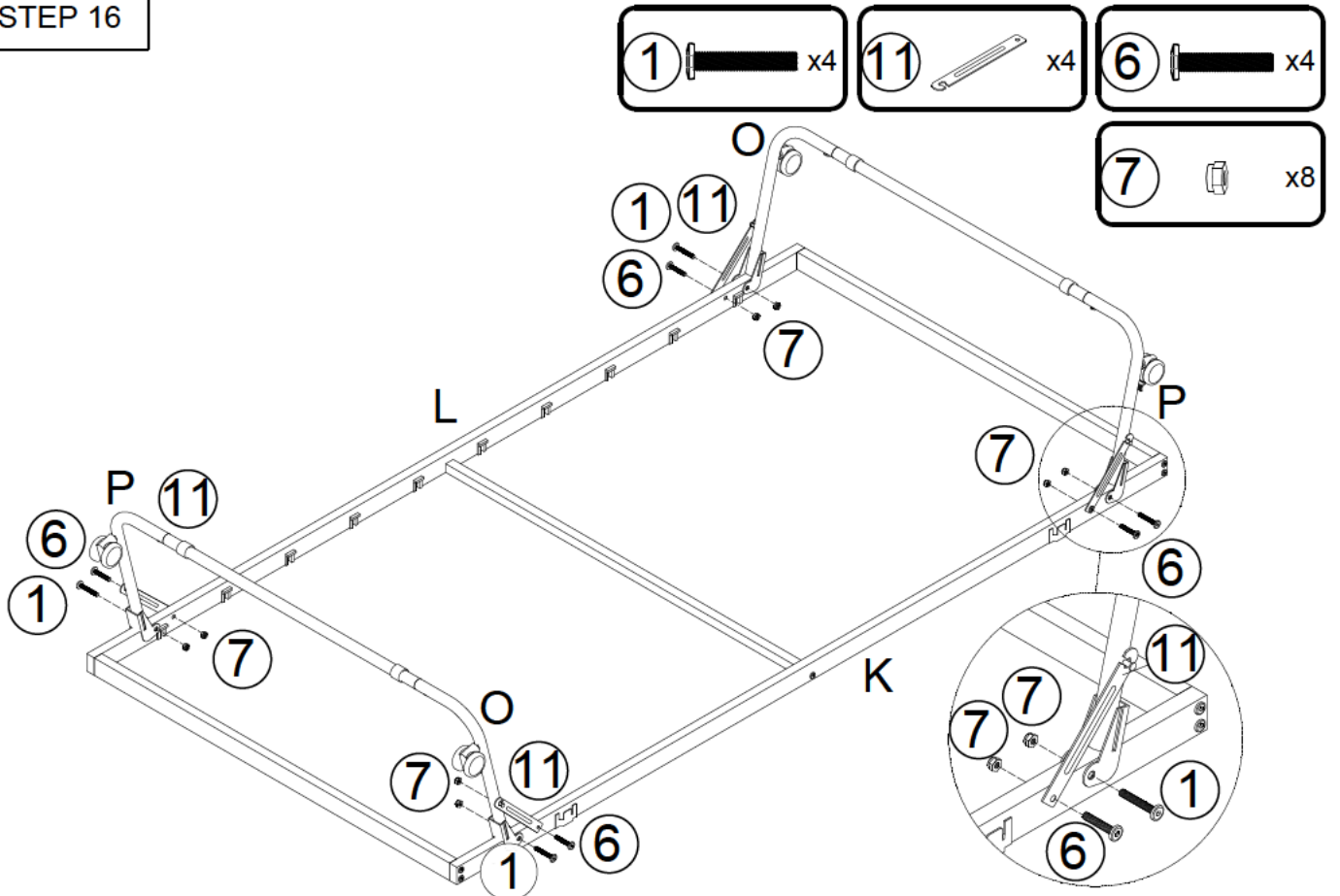


Keep the holes of the Part O and Part P toward this direction as shown

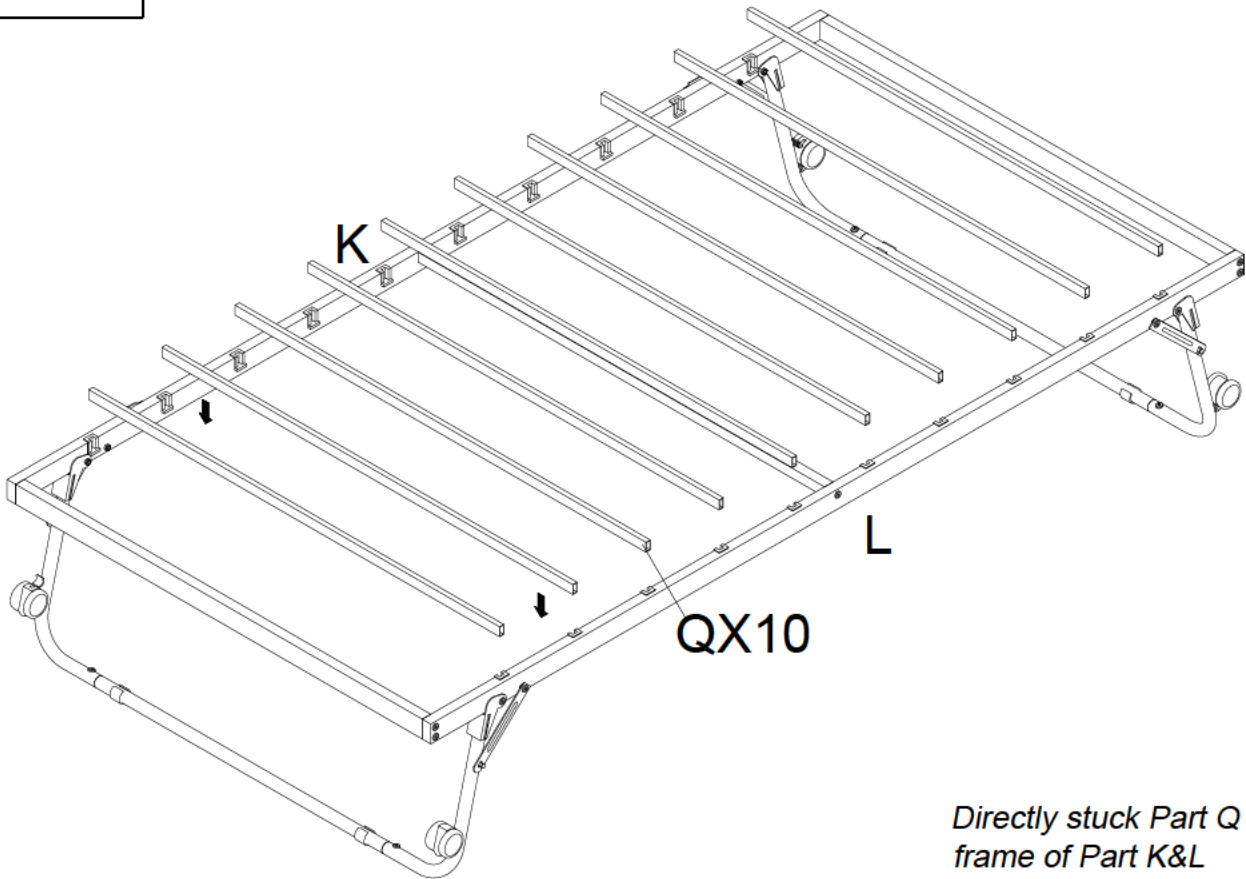
STEP 15



STEP 16

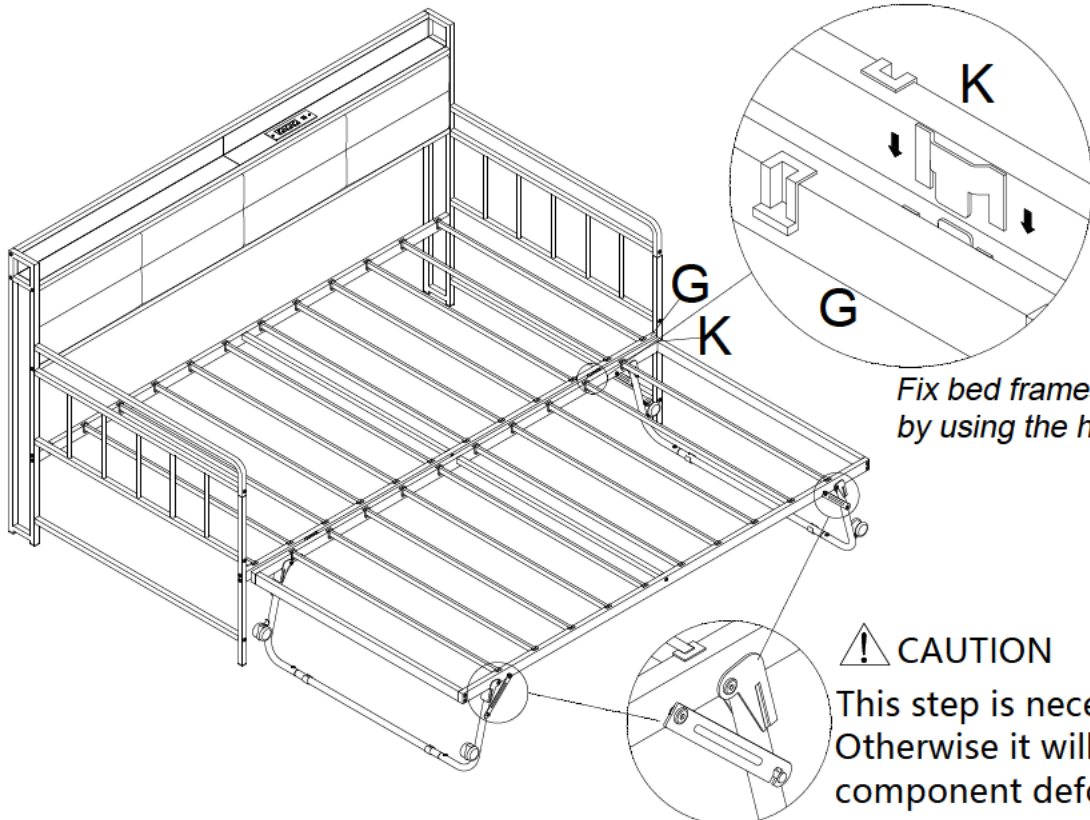


STEP 17



Directly stuck Part Q into the frame of Part K&L

STEP 18



Fix bed frames together by using the hook plate.

⚠ CAUTION
This step is necessary. Otherwise it will cause component deformation.

STEP 19



STEP 20

