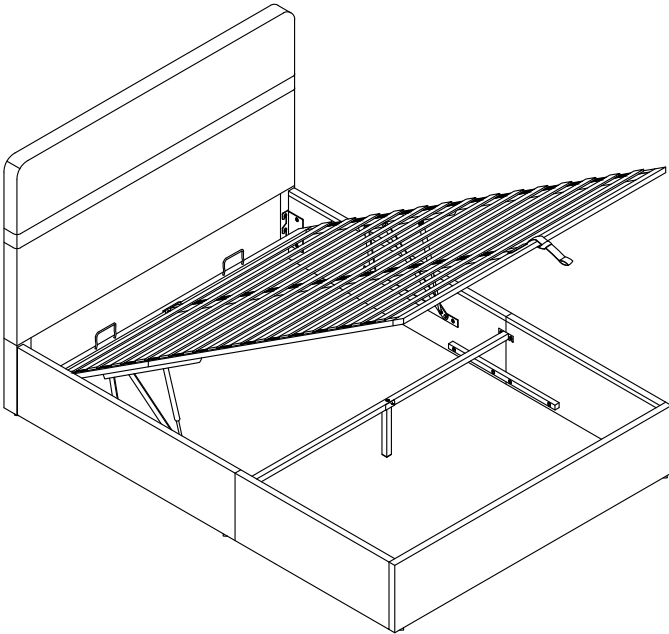


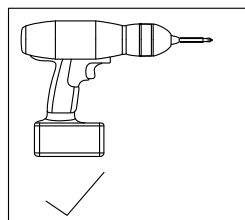
# STANDARD BED



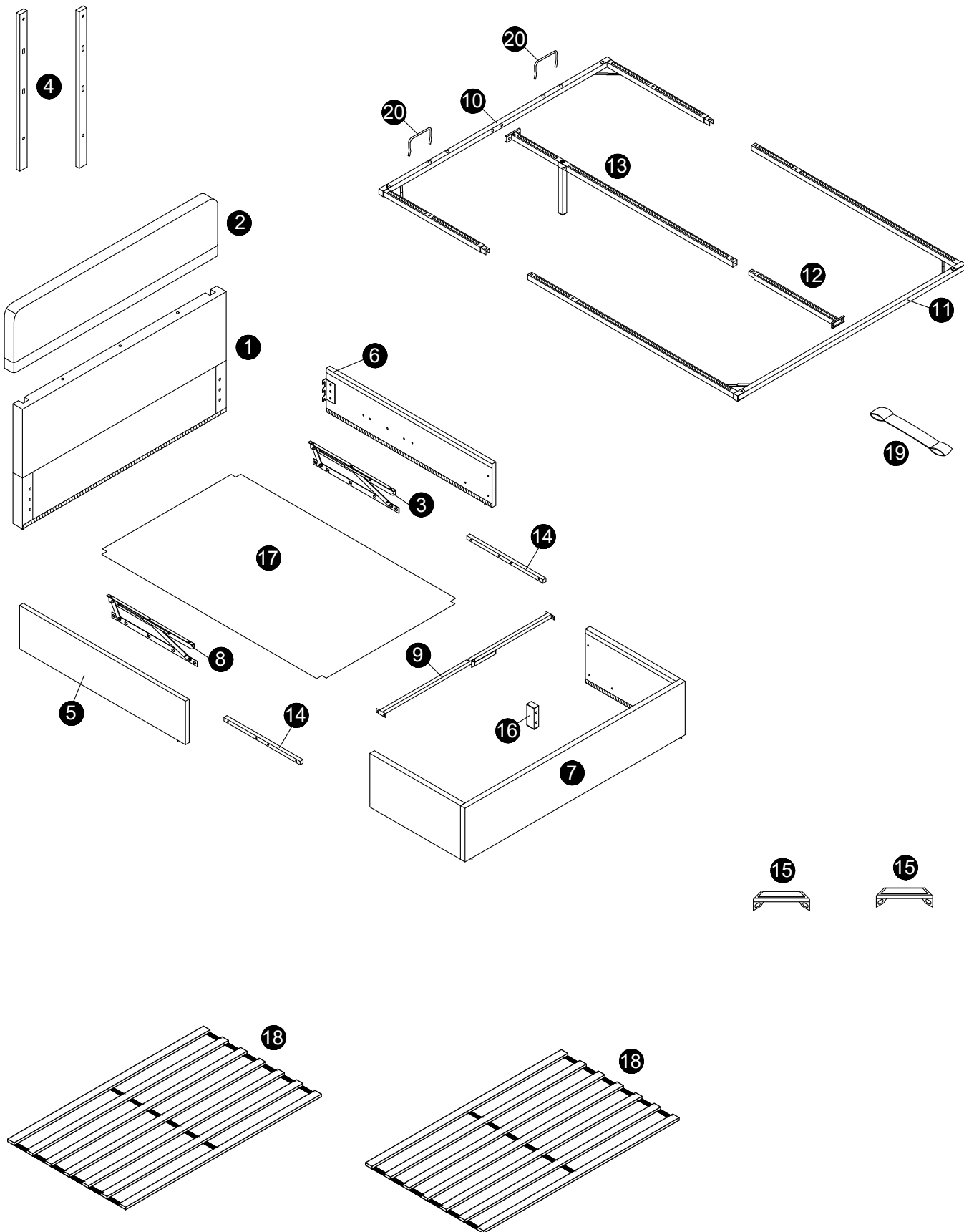
Please **TEAR OFF** this shrink film from side!  
**DO NOT USE CUTTER!**

## IMPORTANT NOTE

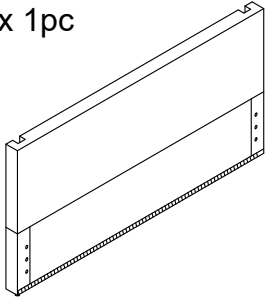
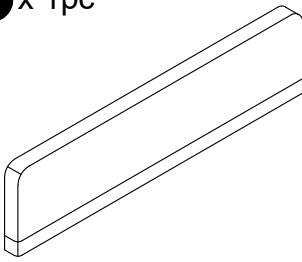
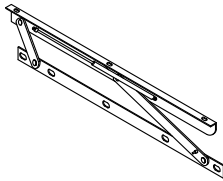

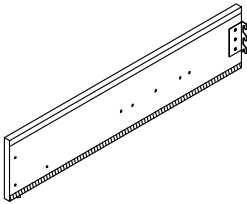
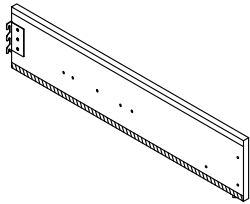
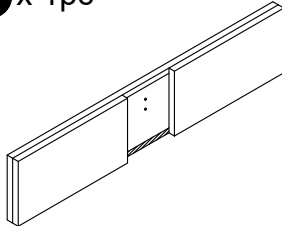
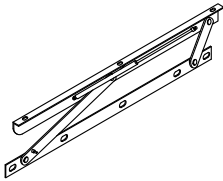
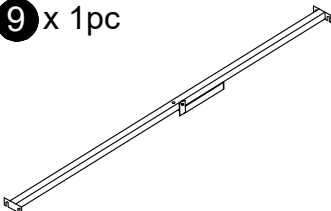
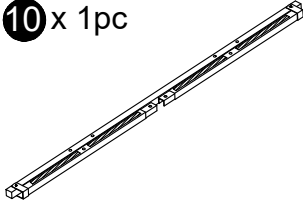
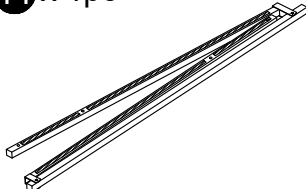
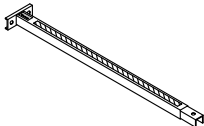
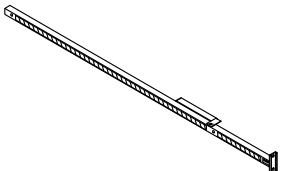
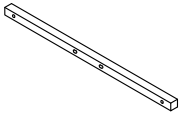
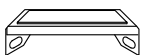
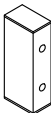
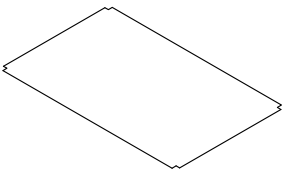
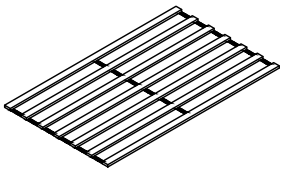
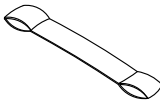
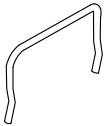
1. FOR THE PROTECTION OF YOUR FURNITURE, PLACE ALL PARTS ON A CLEAN AND SMOOTH SURFACE TO PREVENT ANY DAMAGE.
2. DO NOT USE POWER TOOLS TO ASSEMBLE THE BED.
3. PLEASE PERIODICALLY CHECK ALL FITTINGS AND RE-TIGHTEN AS NECESSARY.
4. DO NOT USE THE BED UNLESS ALL BOLTS AND SCREWS ARE FIRMLY SECURED.
5. NEED PARTS OR ASSISTANCE?
6. YOU CAN ASSEMBLE IT WITH OUR PACKAGING TOOLS OR WITH A.



# PART LIST



## PART LIST

<p><b>1</b> x 1pc</p> 	<p><b>2</b> x 1pc</p> 	<p><b>3</b> x 1pc</p> 	<p><b>4</b> x 2pcs</p> 
<p><b>5</b> x 1pc</p> 	<p><b>6</b> x 1pc</p> 	<p><b>7</b> x 1pc</p> 	<p><b>8</b> x 1pc</p> 
<p><b>9</b> x 1pc</p> 	<p><b>10</b> x 1pc</p> 	<p><b>11</b> x 1pc</p> 	<p><b>12</b> x 1pc</p> 
<p><b>13</b> x 1pc</p> 	<p><b>14</b> x 2pcs</p> 	<p><b>15</b> x 2pcs</p> 	<p><b>16</b> x 1pc</p> 
<p><b>17</b> x 1pc</p> 	<p><b>18</b> x 2pcs</p> 	<p><b>19</b> x 1pc</p> 	<p><b>20</b> x 2pcs</p> 

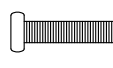
## HARDWARE LIST



**H1** M5 x 1pc



**H2** M8x25mm x 23pcs



**H3** M8x40mm x 19pcs



**H4** M8x60mm x 2pcs



**H5** M8 x 50pcs



**H6** M8x17mm x 47pcs



**H7** M8 x 6pcs



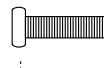
**H8** M14 x 1pc



**H9** M8x50mm x 8pcs

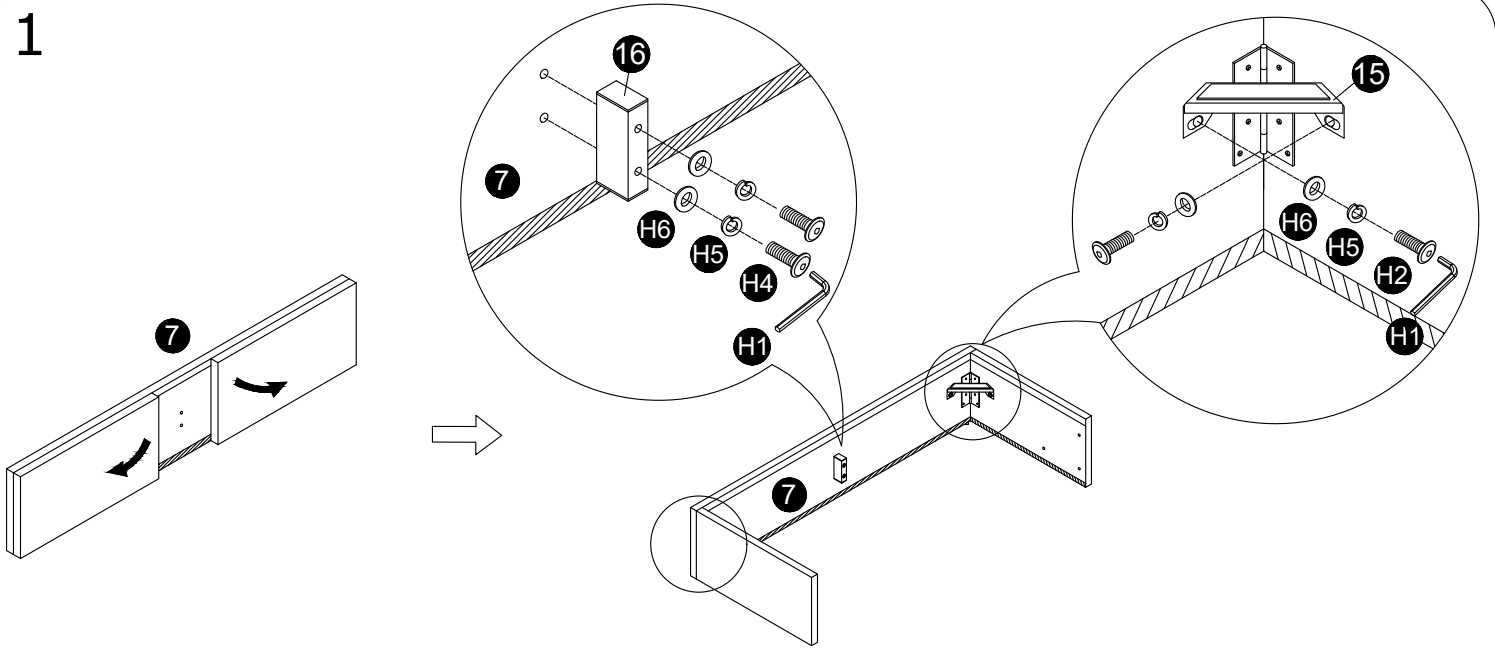


**H10** M8x22mm x 11pcs

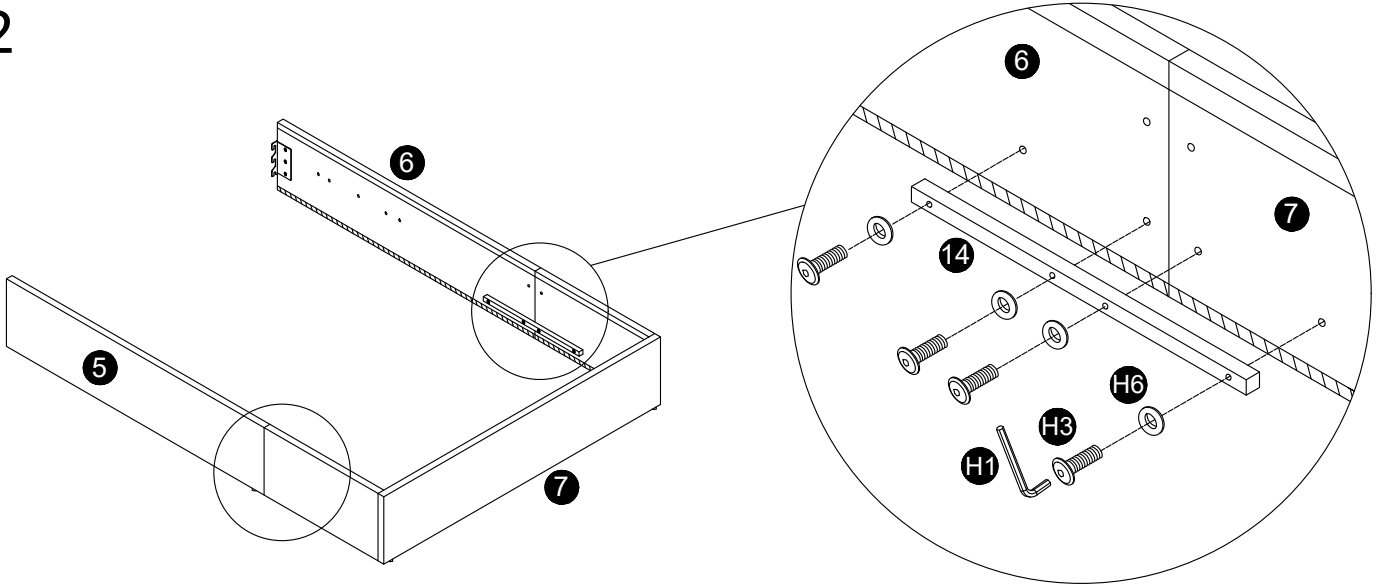


**H11** M8x30mm x 6pcs

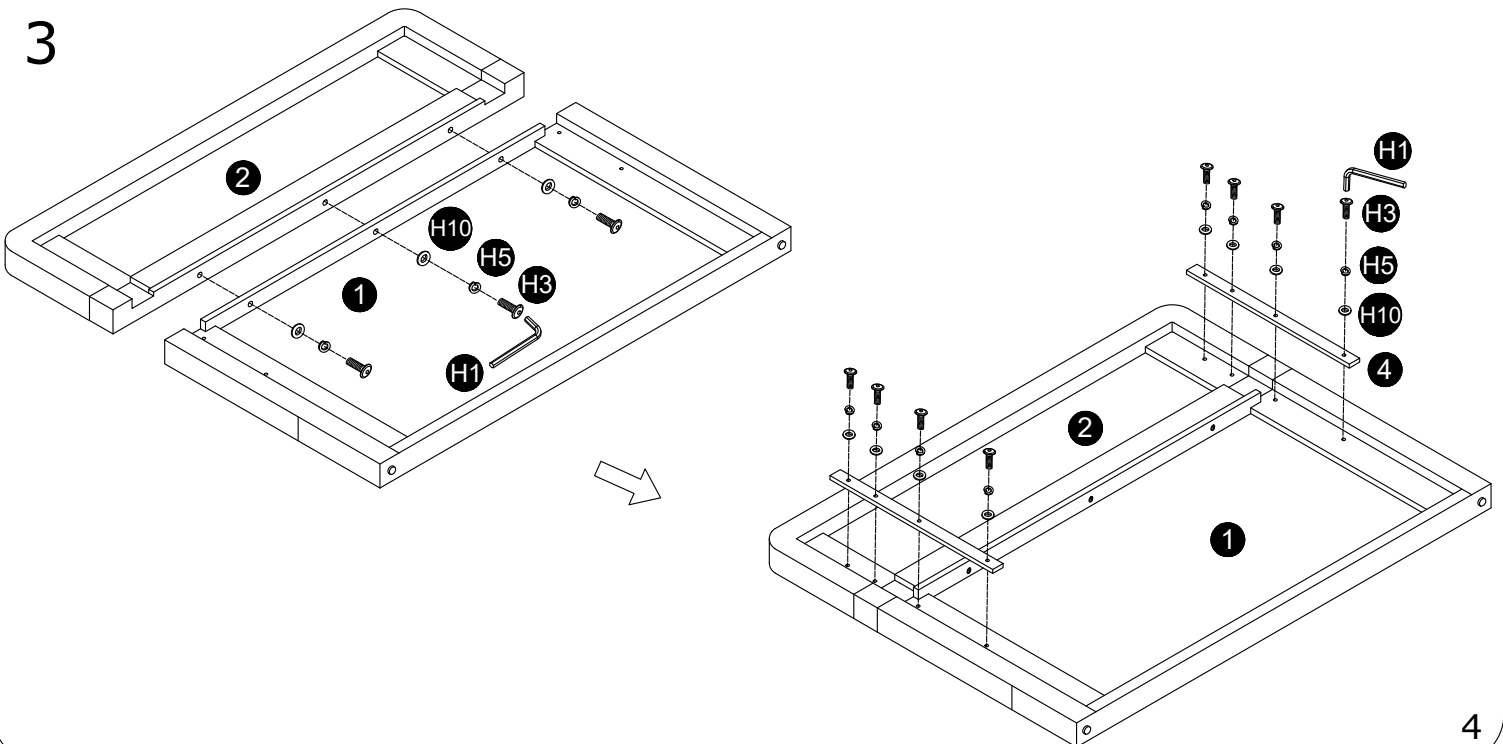
1



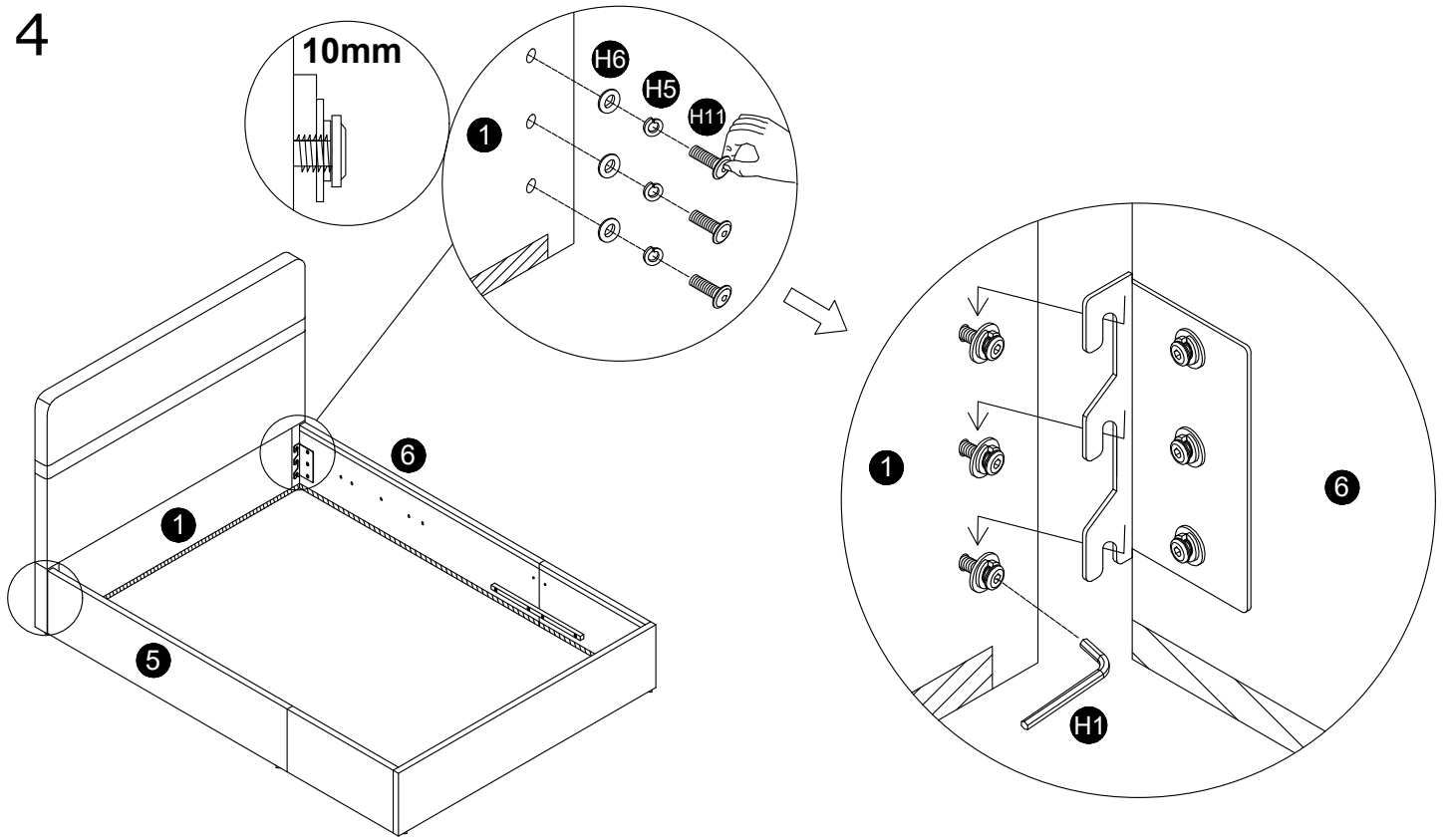
2



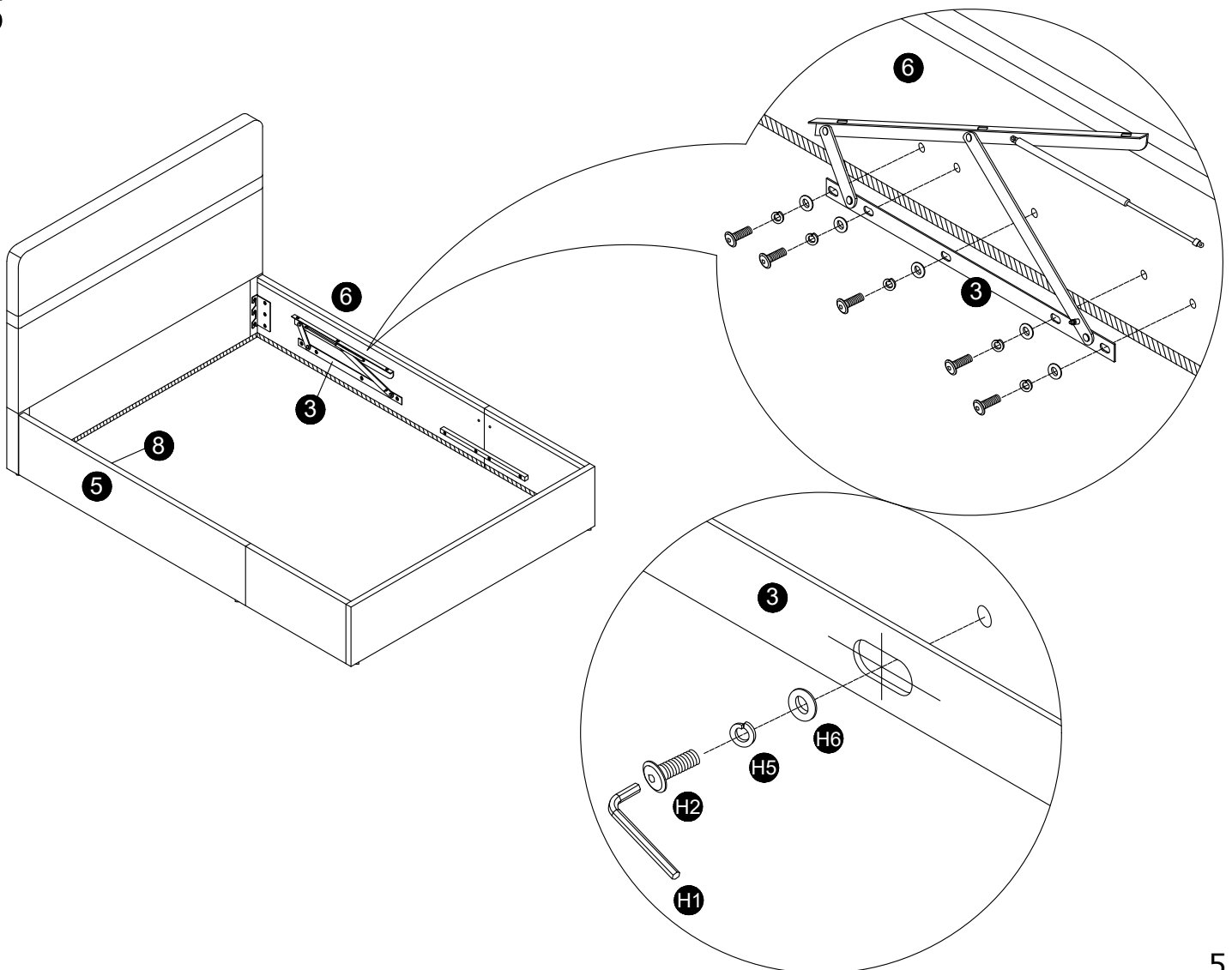
3



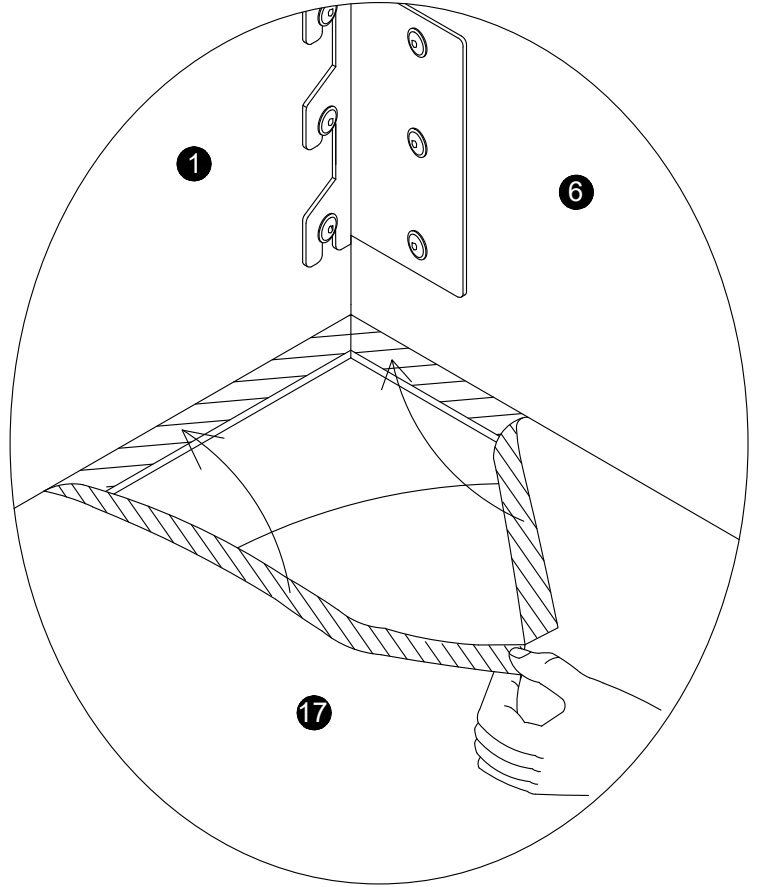
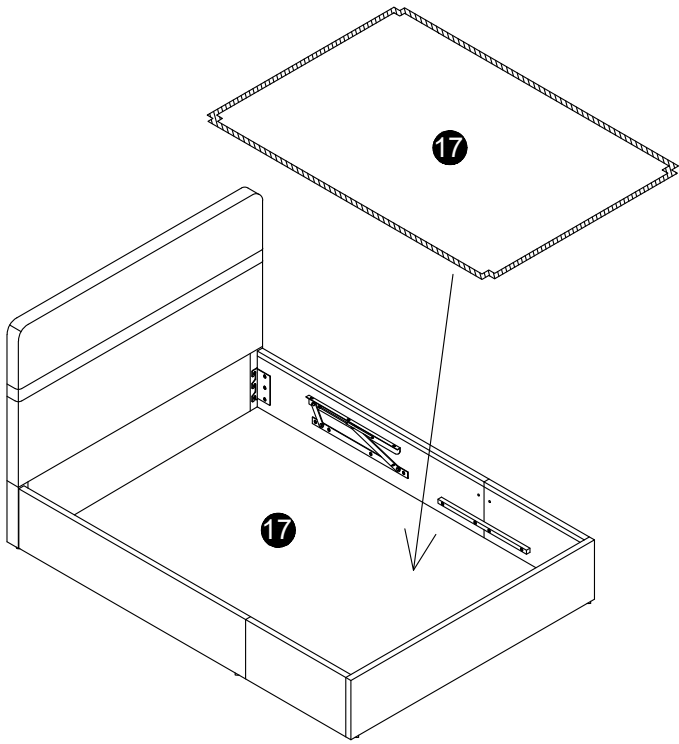
4



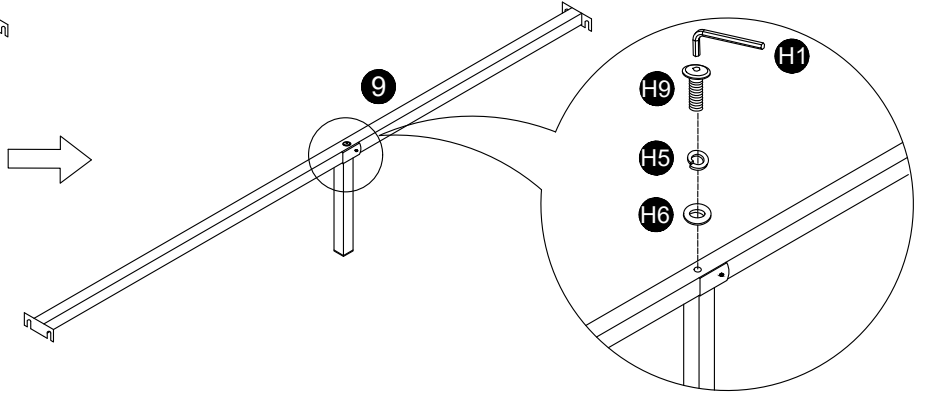
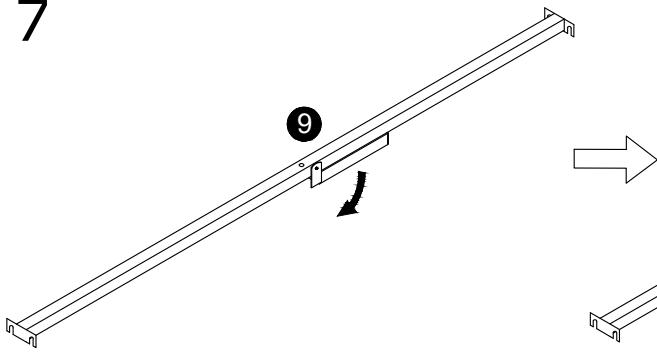
5



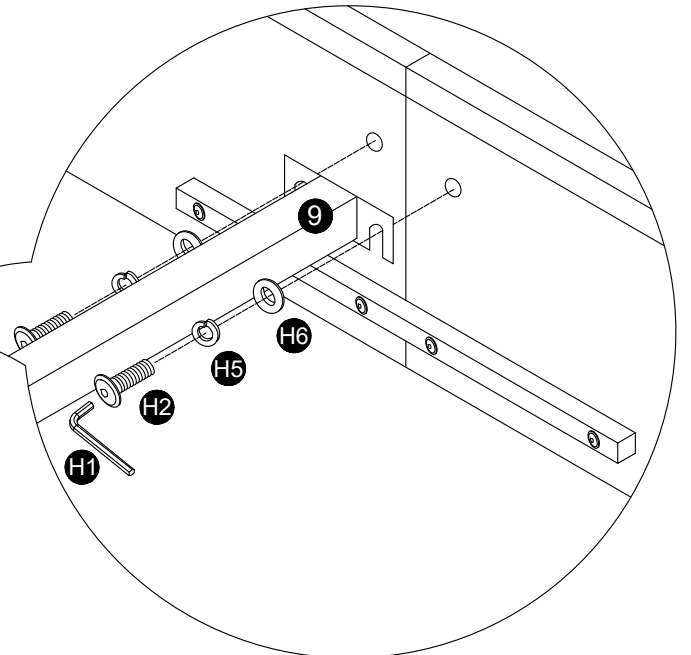
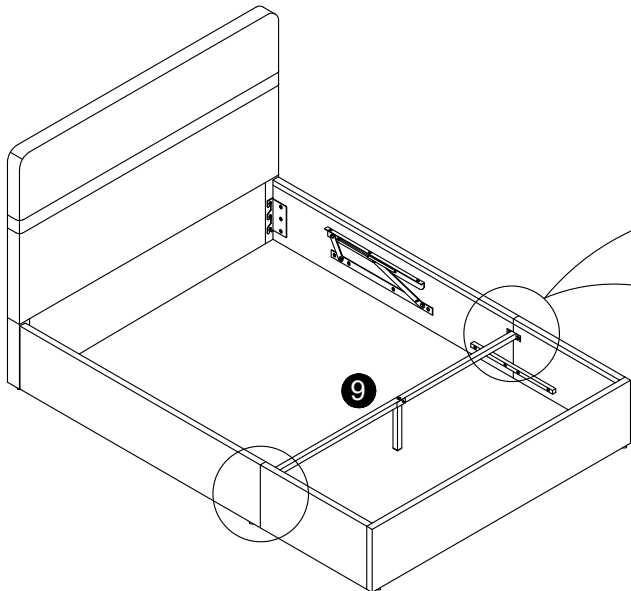
6



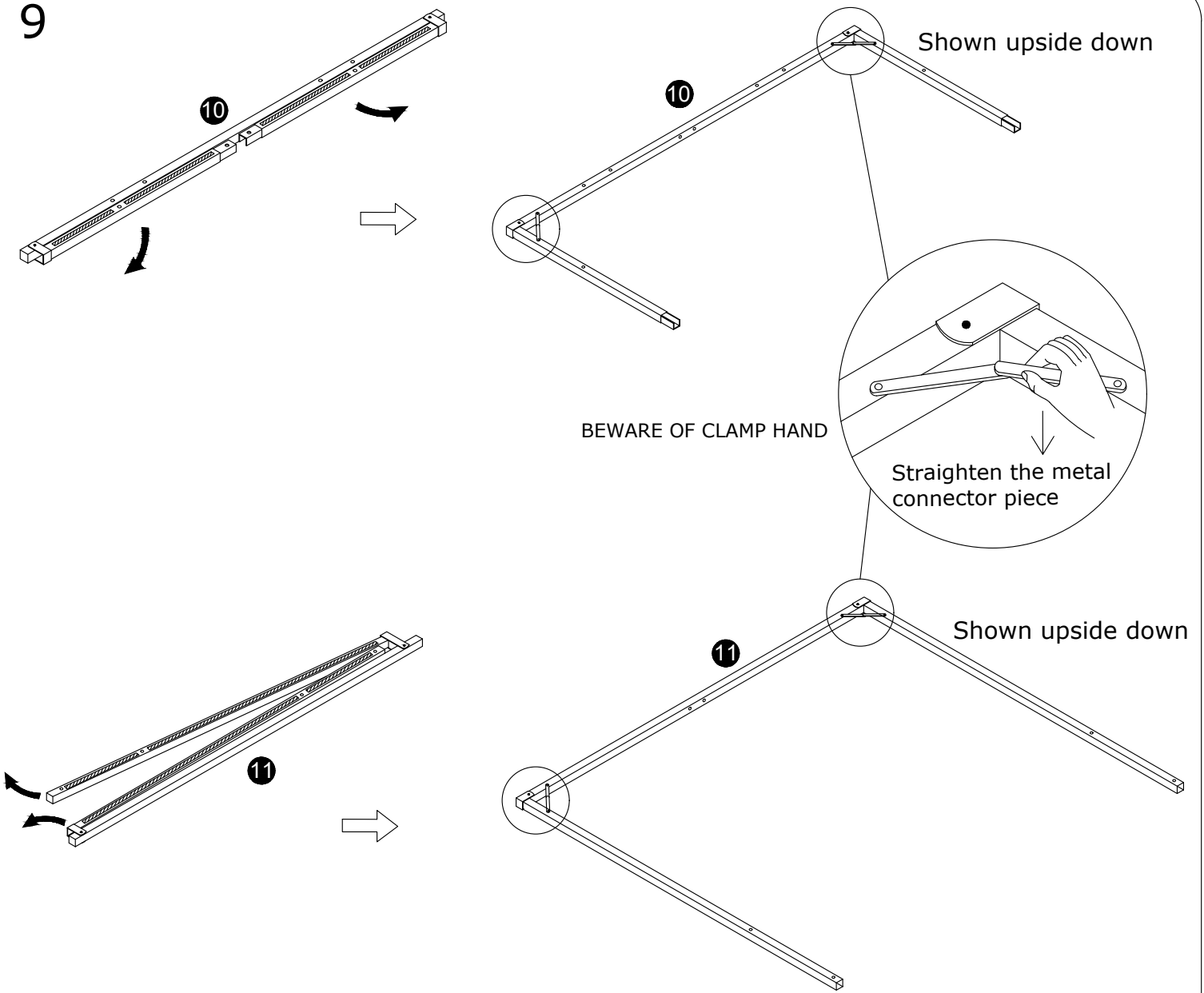
7



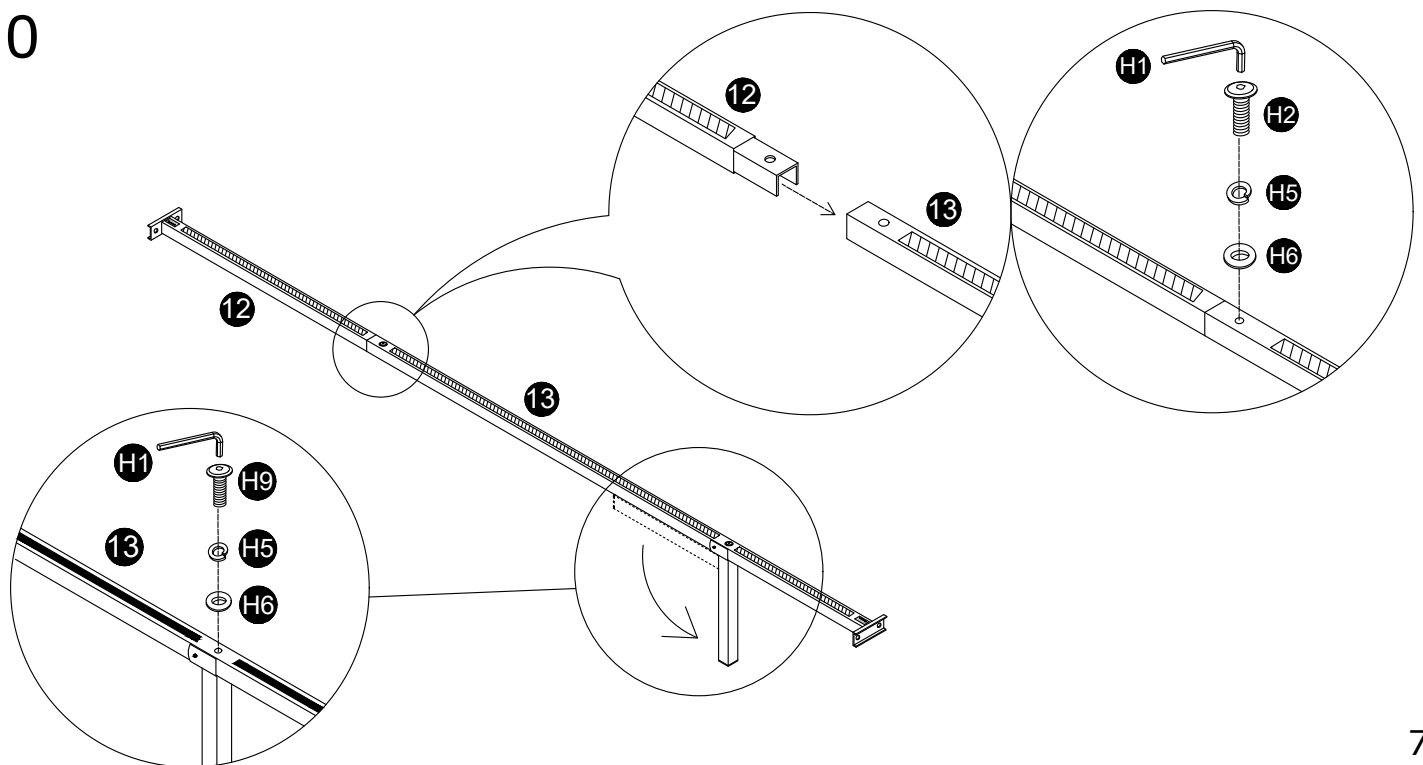
8

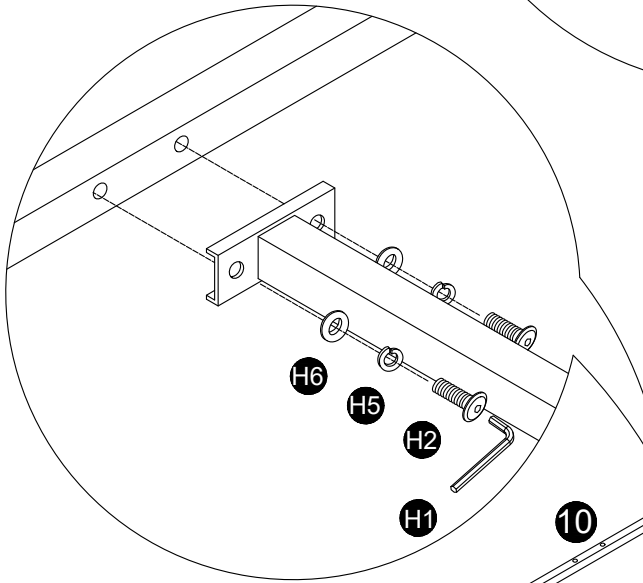
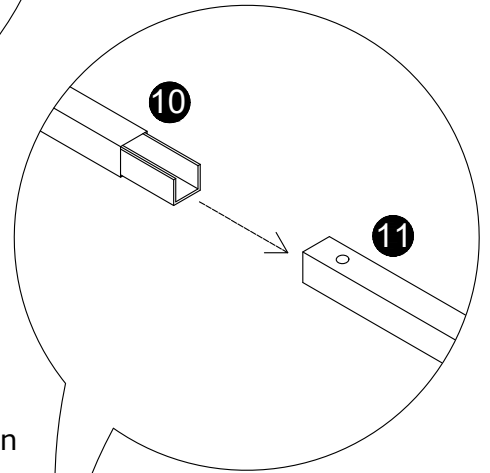
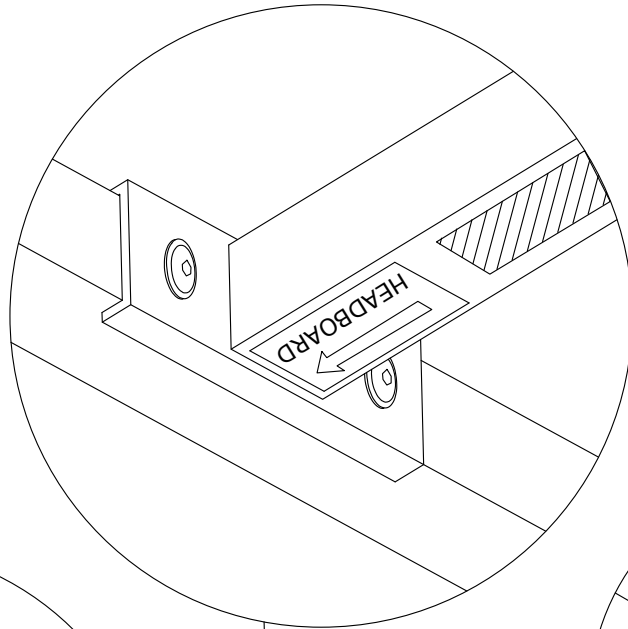


9

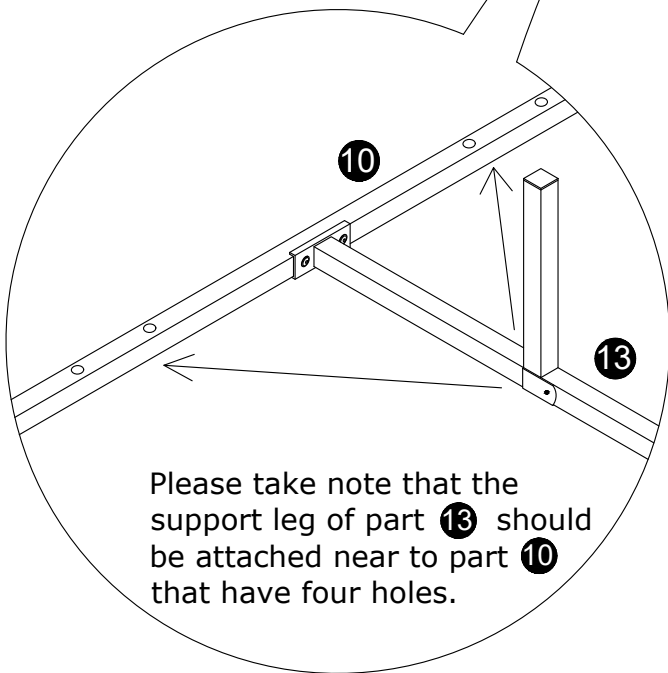
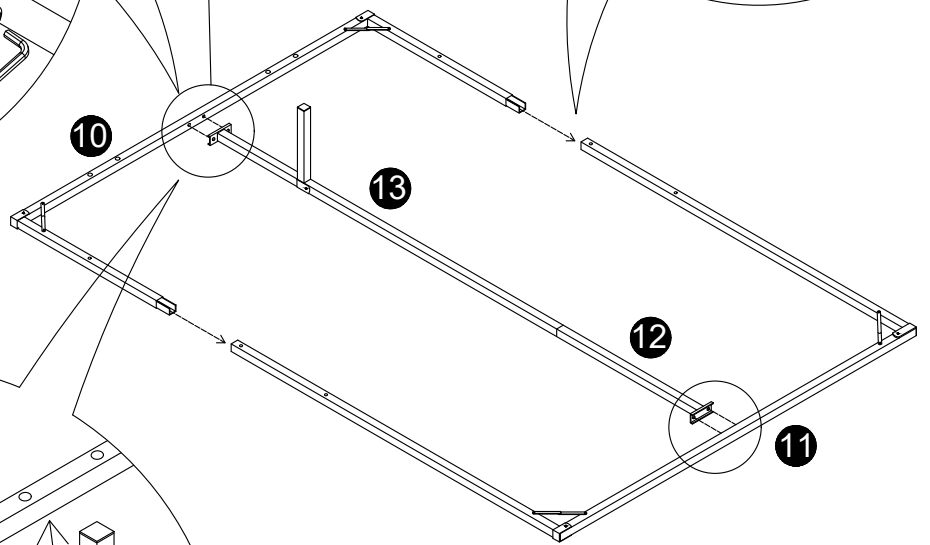


10



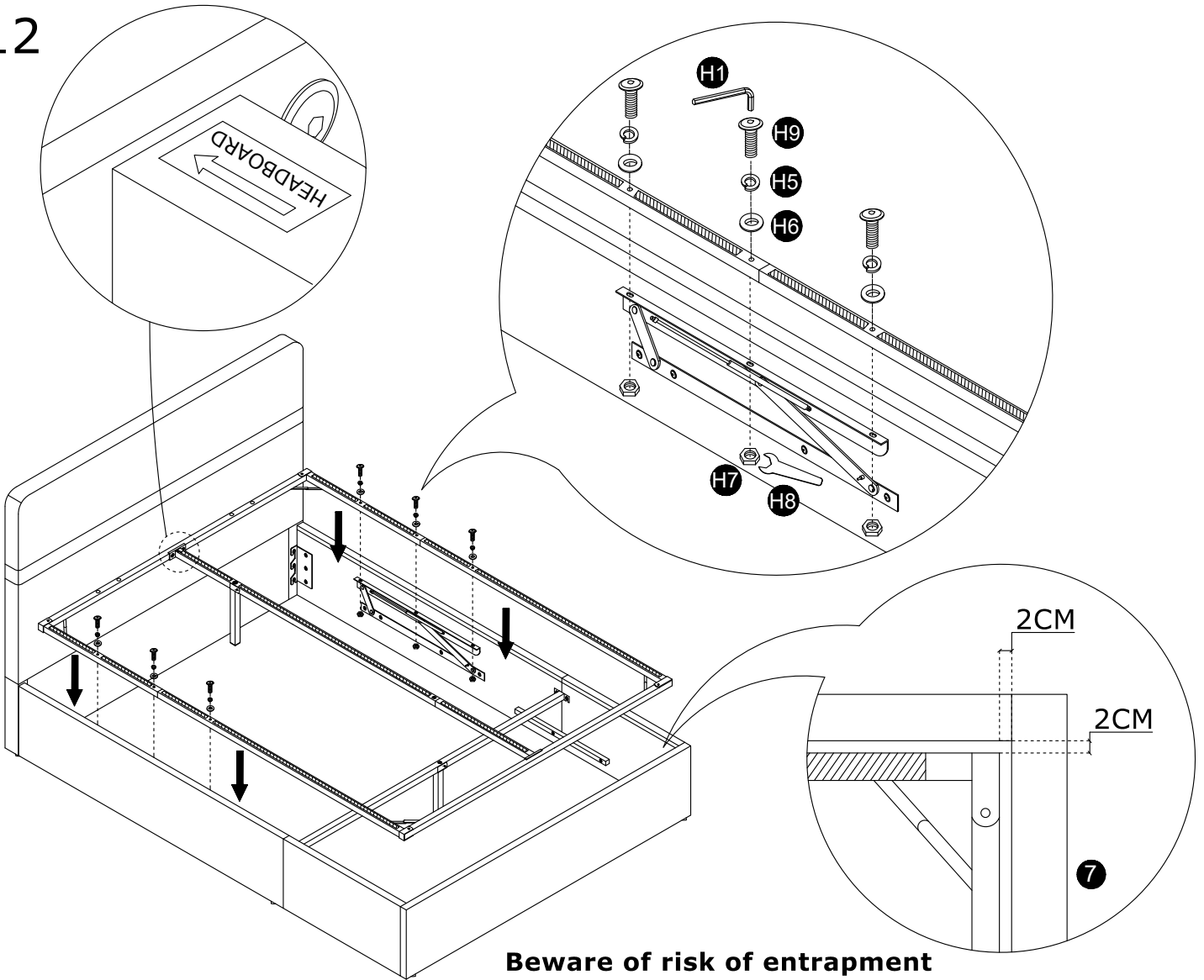


Shown upside down



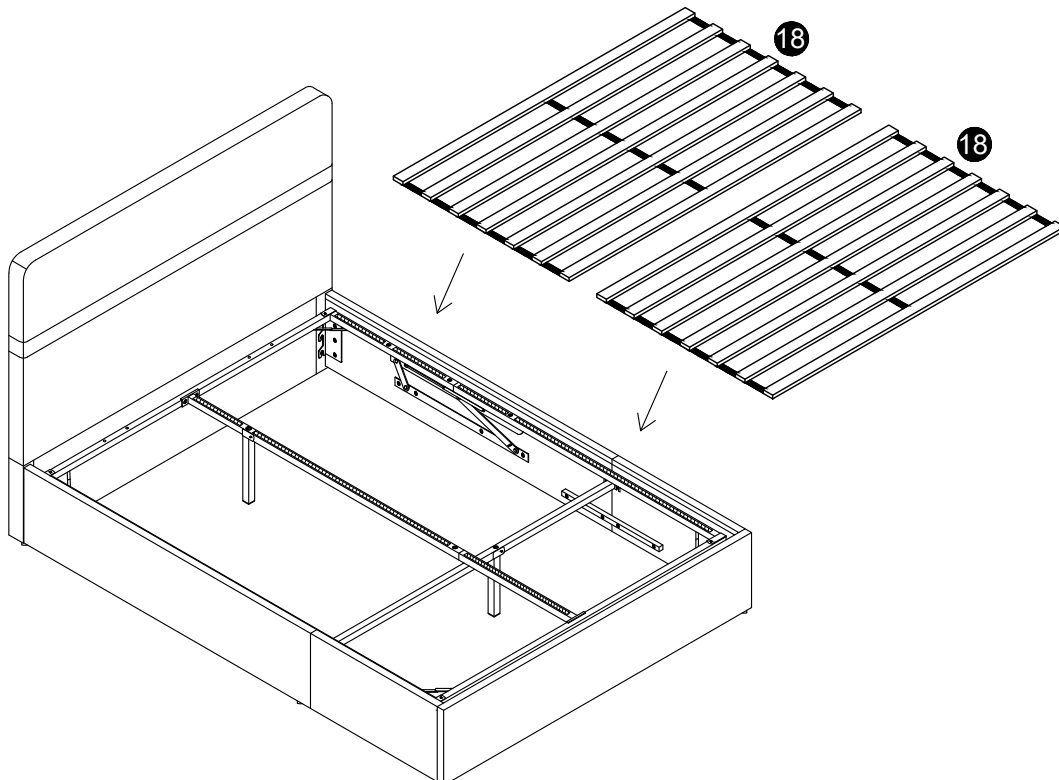
Please take note that the support leg of part **13** should be attached near to part **10** that have four holes.

12

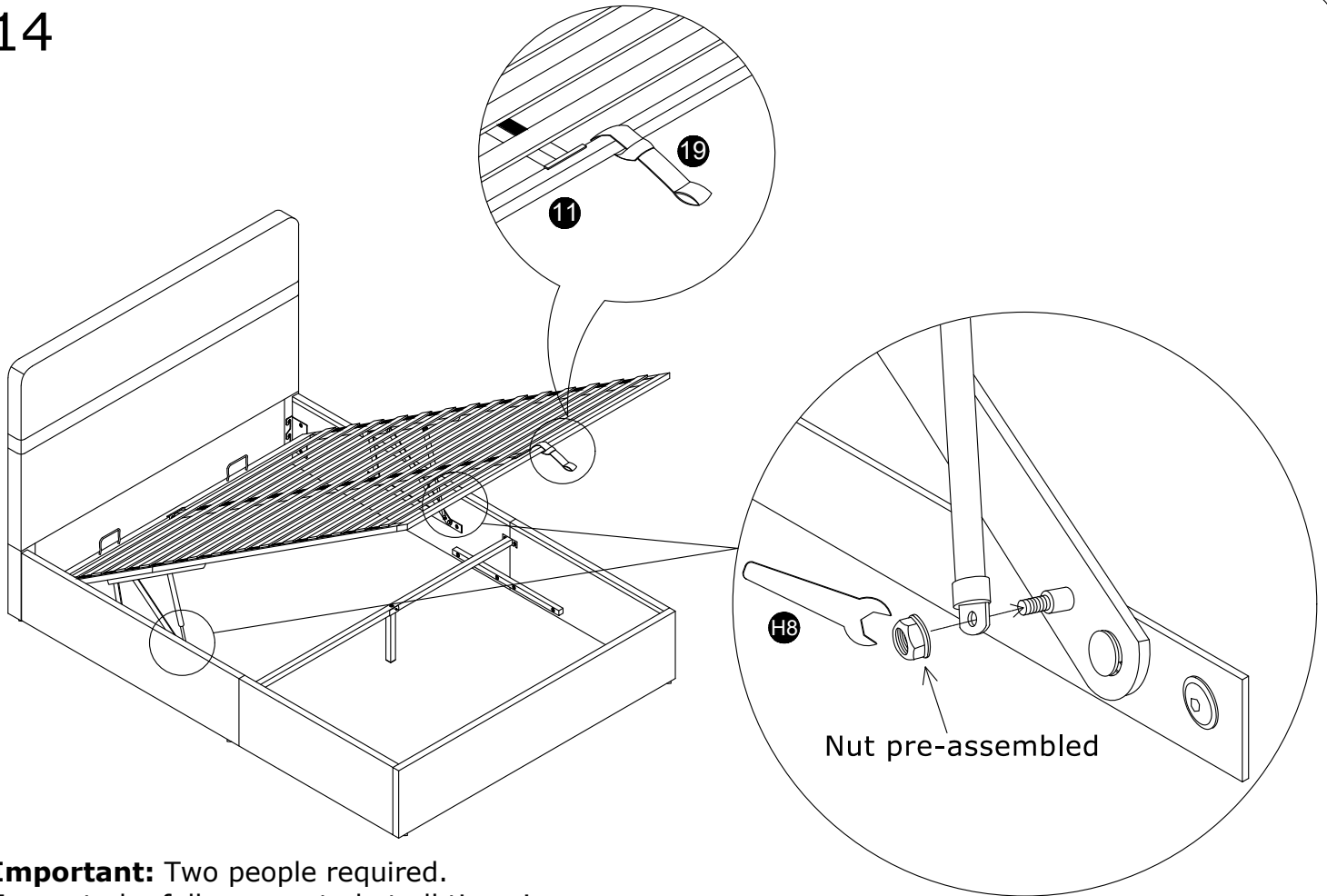


**Beware of risk of entrapment from folding hinges!**

13

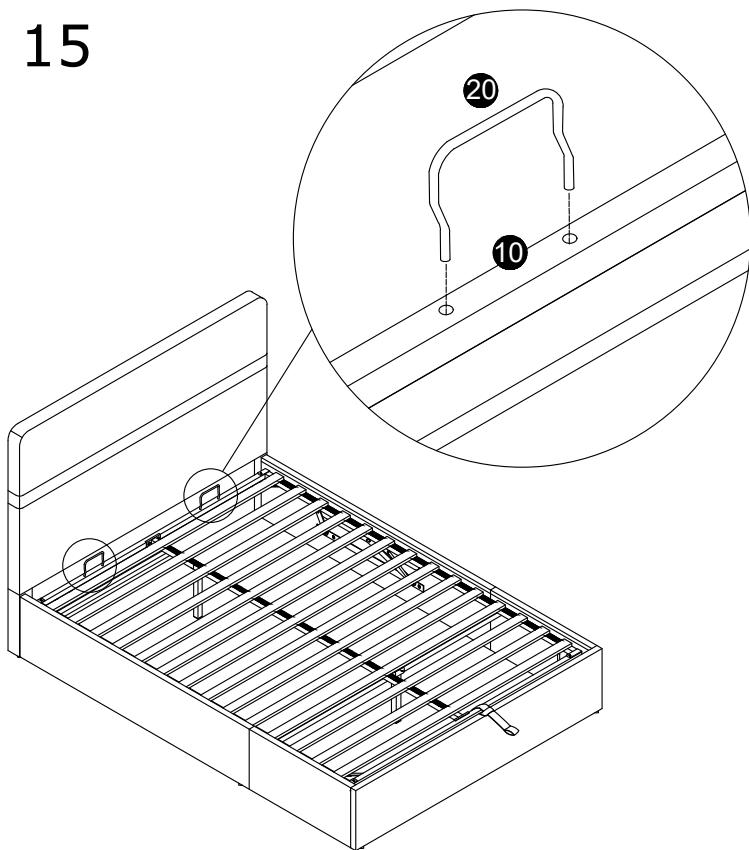


14

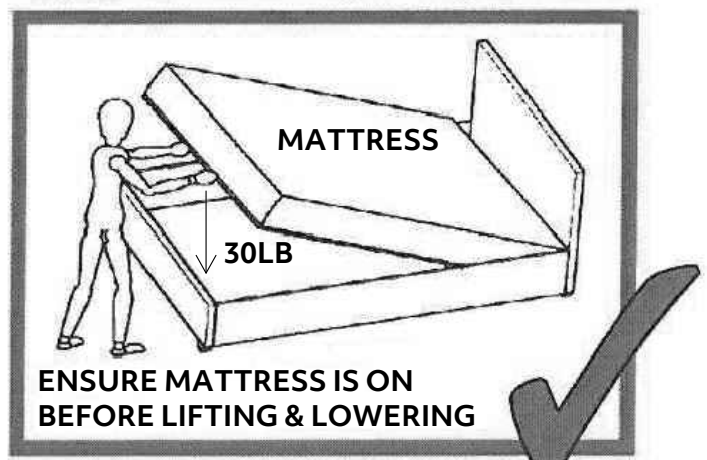


**Important:** Two people required.  
Frame to be fully supported at all times!

15



After placing the mattress on frame,  
push down the frame with 30lbs force.



**Job Complete !**

*In the interest of our environment please dispose of all packaging thoughtfully.*