

HAPPINESS
HAPPINESS

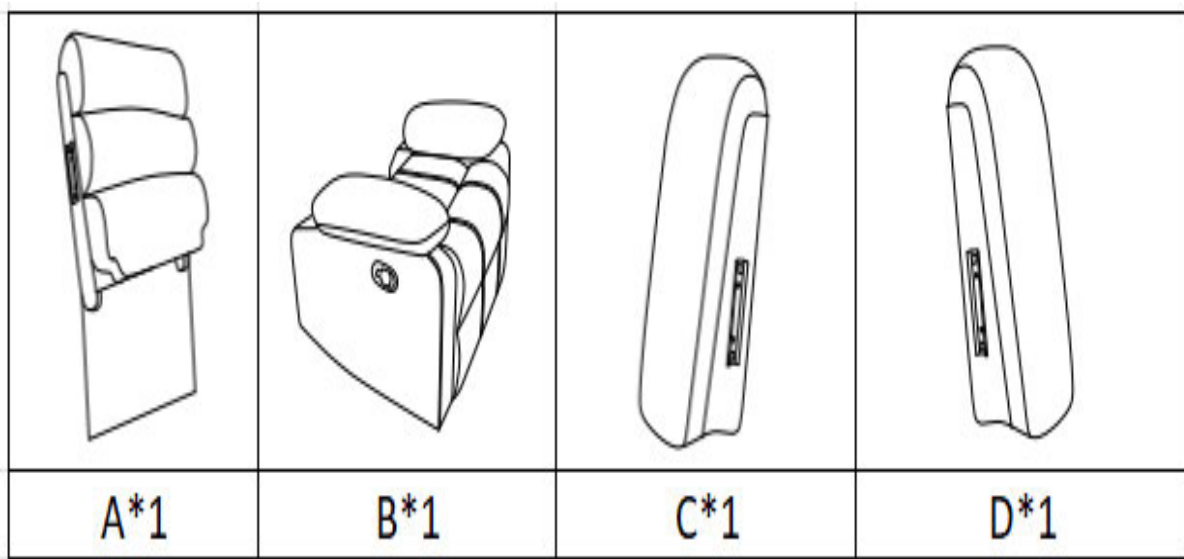
INSTALLATION

Assembly Instructions

Your recliner comes packaged in **One** box. Carefully remove all of components from the packaging and set aside for assembly.

CAUTION
DO NOT use any sharp objects to open plastic wrapped components as this may result damage to product or components .

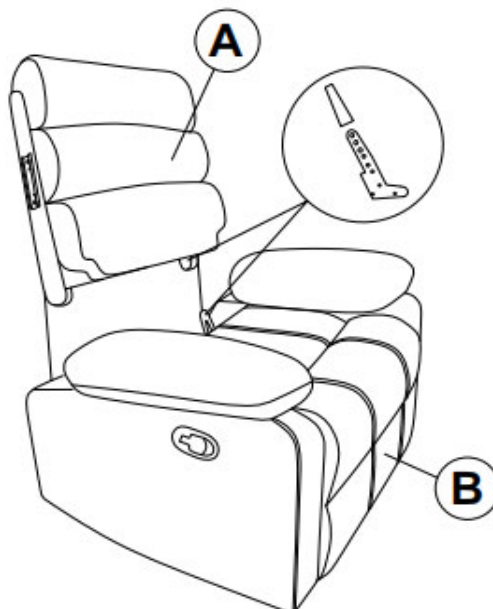
Package Contents



Notice: Right or left are defined by when you are facing the chair.

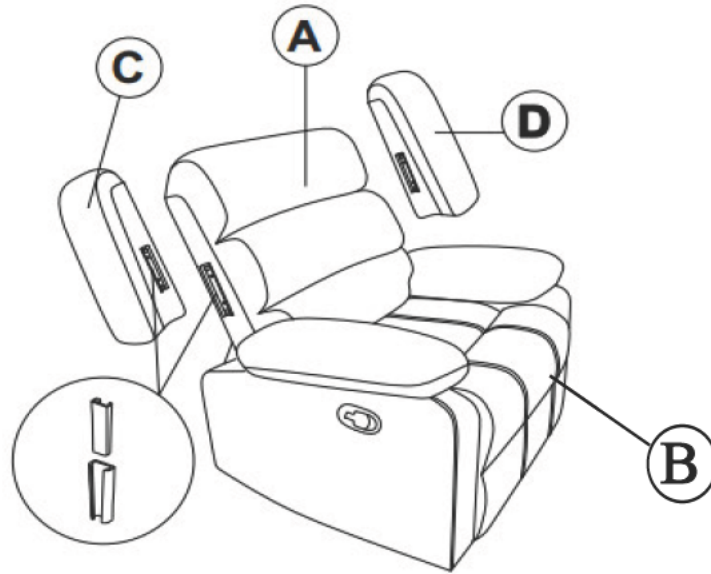
STEP 1:

Attach the **Backrest(A)** to the **Seat Body(B)** via slot to ensure a tight connection without wobbling.



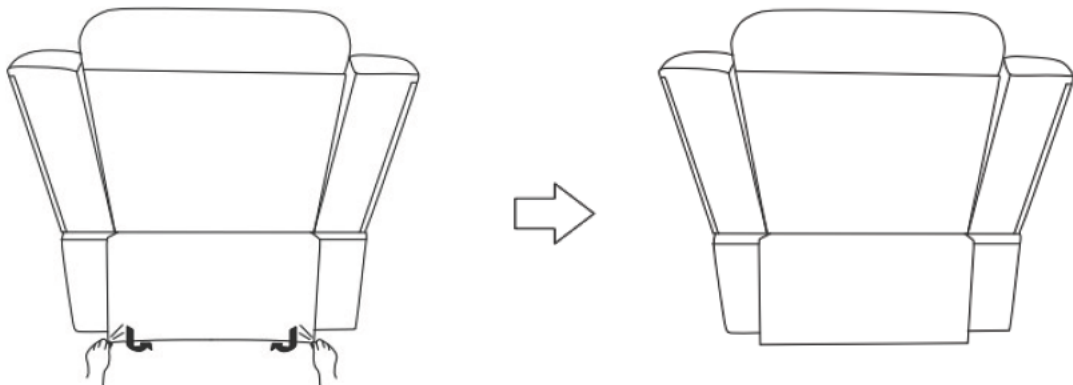
STEP 2:

Attach the **Left Ear(C)** and **Right Ear(D)** to the **Backrest(A)** by sliding them through the slots, ensuring they are tightly connected without wobbling.

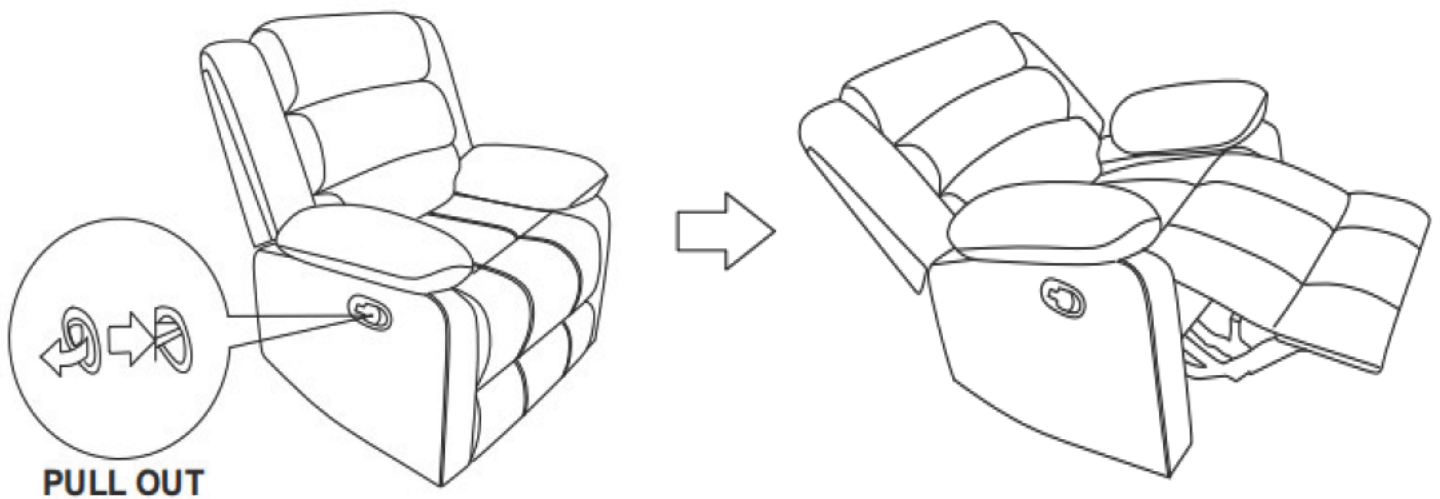


STEP 3:

Cover back of the **Seat Body(B)** by velcro.



INSTALLATION IS COMPLETE



Warnings

1. Please check if the components of the chair are all included and can be used normally.
2. Assemble all components according to the instruction correctly before you connect the chair to the power.
3. Please DO NOT sit on the armrests or footrest to eliminate the risk of tipping over.
4. If the chair is damaged or doesn't match the website description, please send clear pictures of the product and label of the carton to our service team for further help.
5. If the recliner doesn't work, you may try the following measures for self-checking firstly:
 - a) Check if all the cables are connected;
 - b) Check if the light of transformer is on.

If the chair still doesn't work, please feed the information back to our customer service in time and we'll help you solve the matter as soon as possible.

