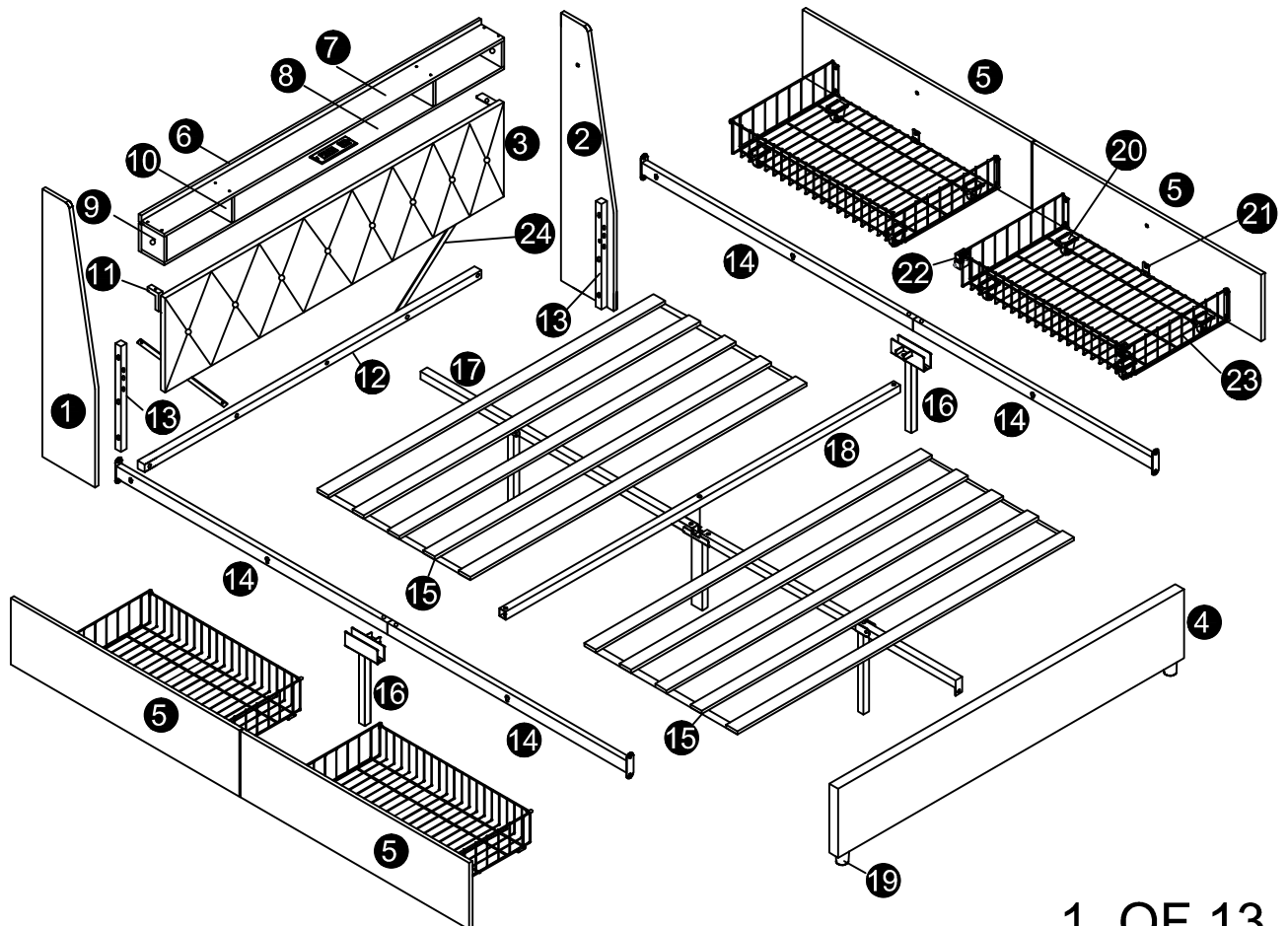


Note:



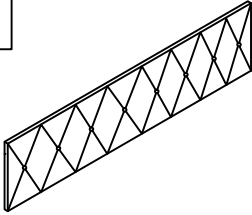
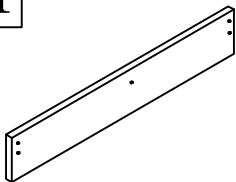
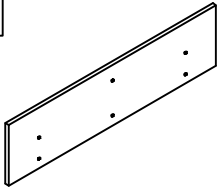
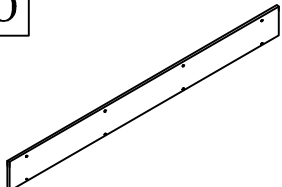
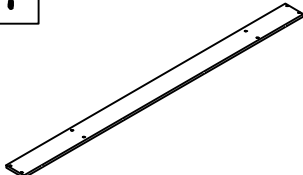
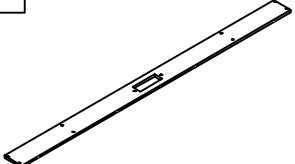
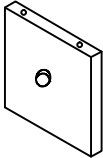
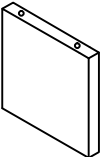
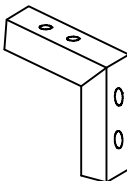
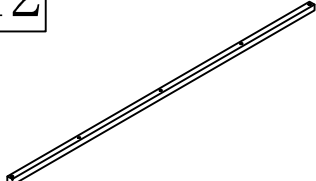

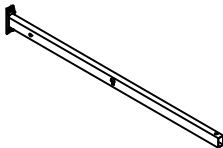
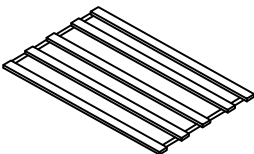
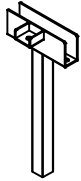
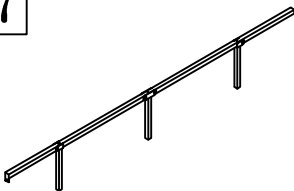
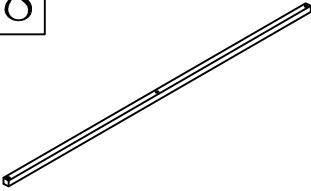
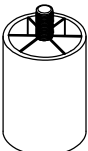
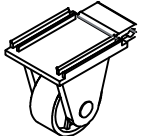
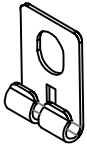
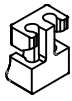
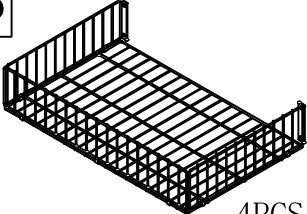

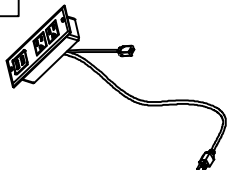
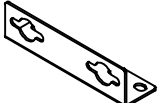
Should be assembled on flat ground to keep balance.

It needs at least two people to install.










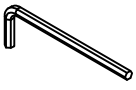
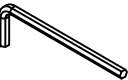
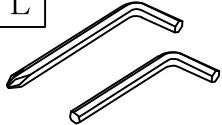
Before starting the assembly, you must read the whole manual and follow the instructions.





Part list

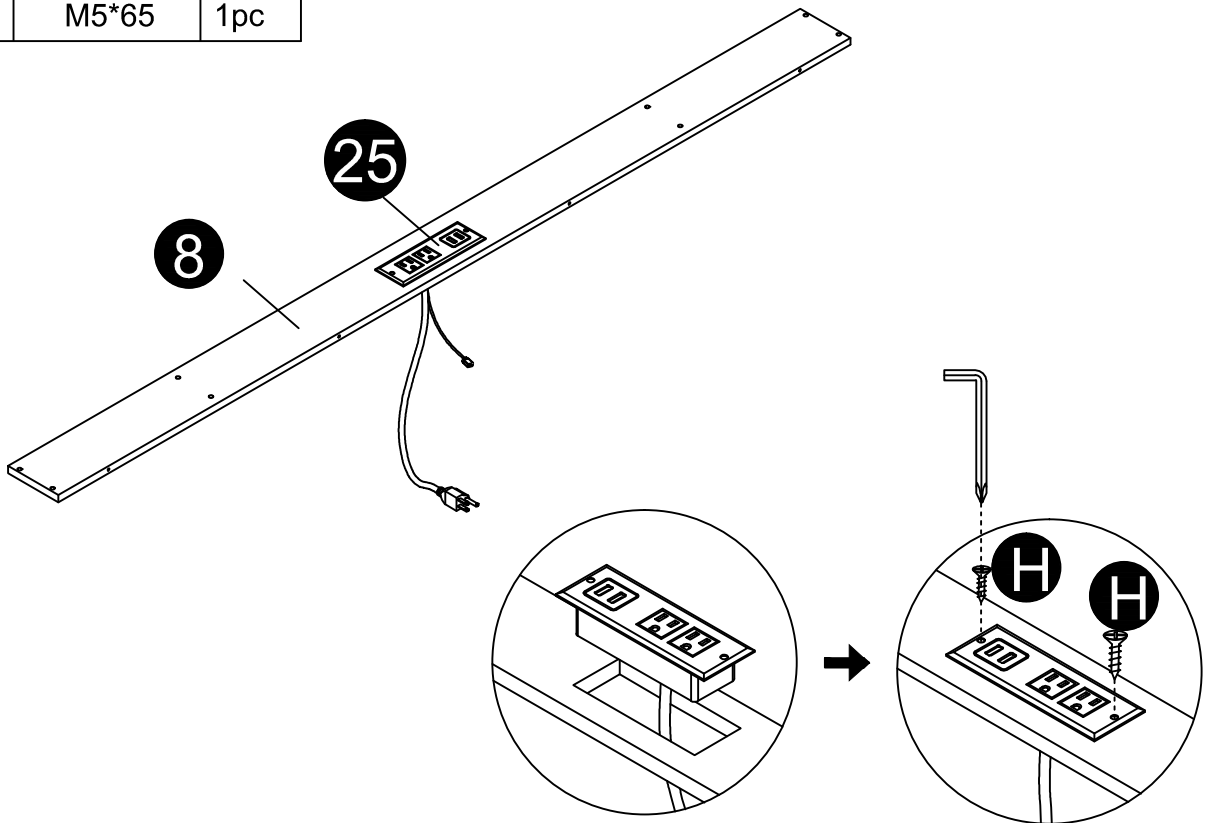
<p>1</p>  <p>1PC</p>	<p>2</p>  <p>1PC</p>	<p>3</p>  <p>1PC</p>	<p>4</p>  <p>1PC</p>
<p>5</p>  <p>4PCS</p>	<p>6</p>  <p>1PC</p>	<p>7</p>  <p>1PC</p>	<p>8</p>  <p>1PC</p>
<p>9</p>  <p>2PCS</p>	<p>10</p>  <p>2PCS</p>	<p>11</p>  <p>4PCS</p>	<p>12</p>  <p>1PC</p>
<p>13</p>  <p>2PCS</p>	<p>14</p>  <p>4PCS</p>	<p>15</p>  <p>2PCS</p>	<p>16</p>  <p>2PCS</p>
<p>17</p>  <p>1PC</p>	<p>18</p>  <p>1PC</p>	<p>19</p>  <p>2PCS</p>	<p>20</p>  <p>16PCS</p>
<p>21</p>  <p>4PCS</p>	<p>22</p>  <p>8PCS</p>	<p>23</p>  <p>4PCS</p>	<p>24</p>  <p>2PCS</p>
<p>25</p>  <p>1PC</p>	<p>26</p>  <p>2PCS</p>		

Hardware list



A  M8*50mm 8PCS	B  M8*35mm 14PCS	C  M8*20mm 16PCS	D  M8*25mm 5PCS	E  M6*12mm 22PCS
F  M6*20mm 4PCS	G  M5*30mm 26PCS	H  M4*12mm 3PCS	I  M6*30mm 17PCS	J  M4*65MM 1PC
K  M3*65MM 1PC	L  M5*65MM 2PCS			

Step1

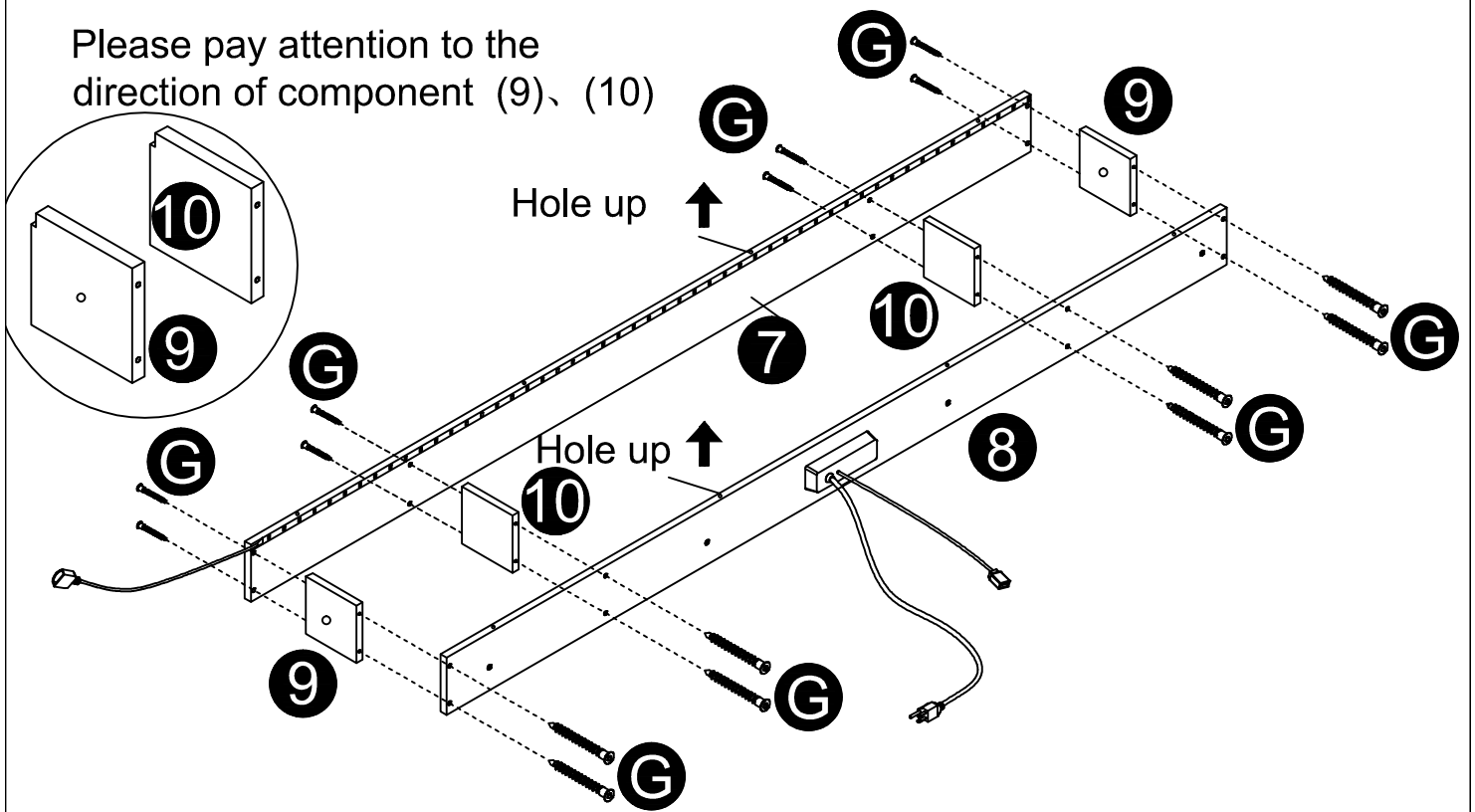
H		M4x12mm	2pcs
L		M5*65	1pc





Step2

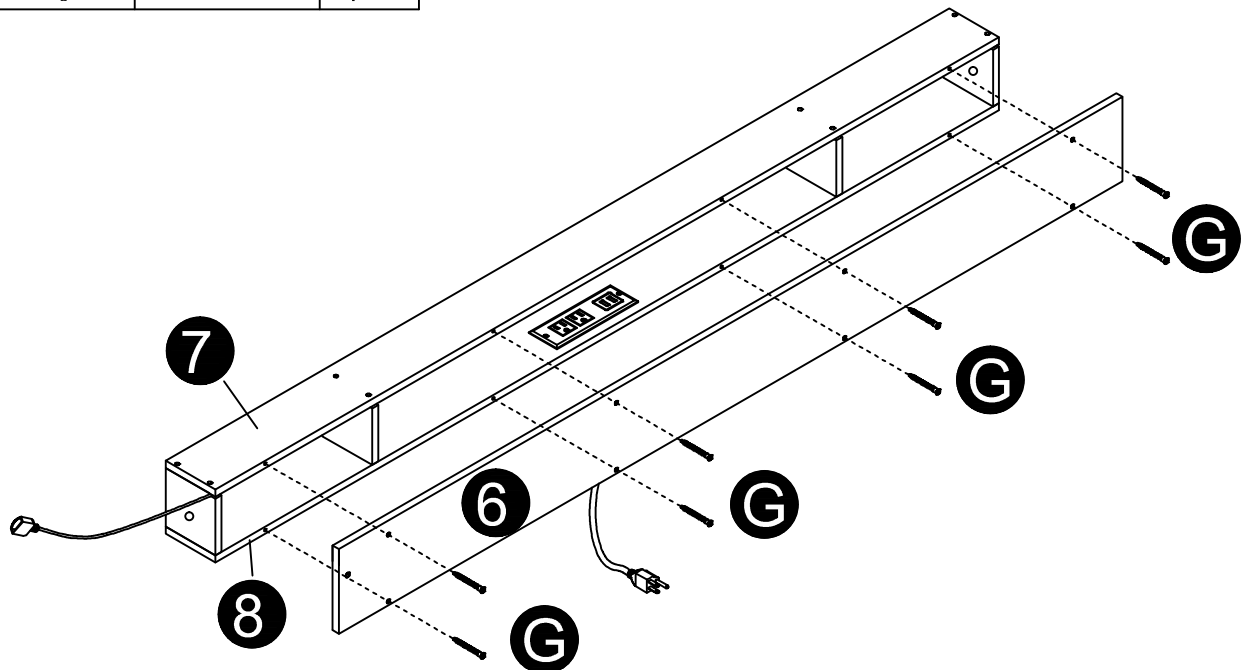
G		M5x30mm	16pcs
K		M3*65mm	1pc

Please pay attention to the direction of component (9)、(10)





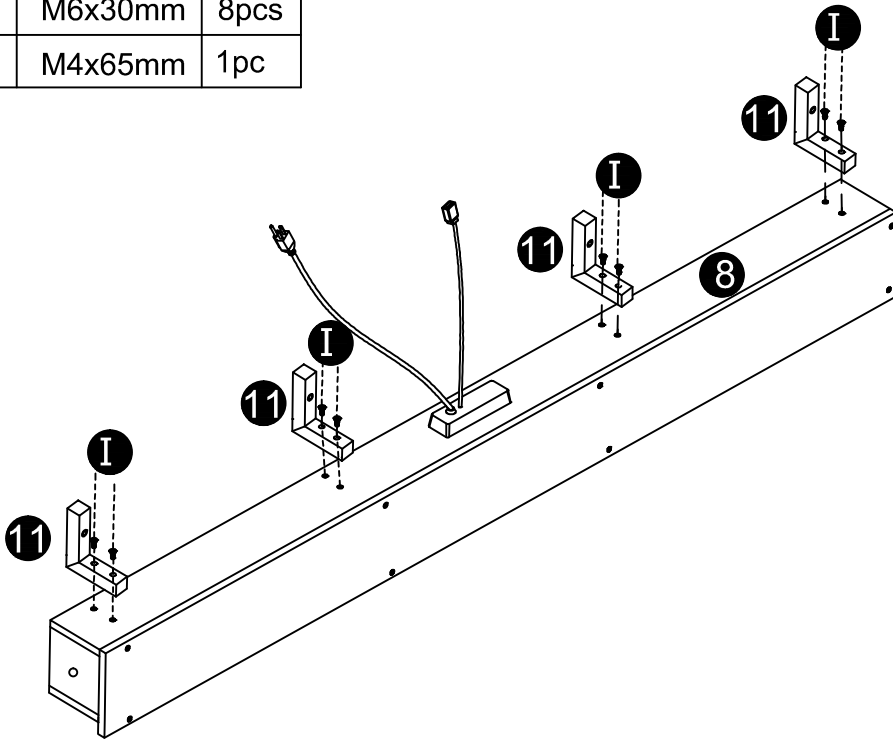
Step3

G		M5x30mm	8pcs
K		M3*65mm	1pc






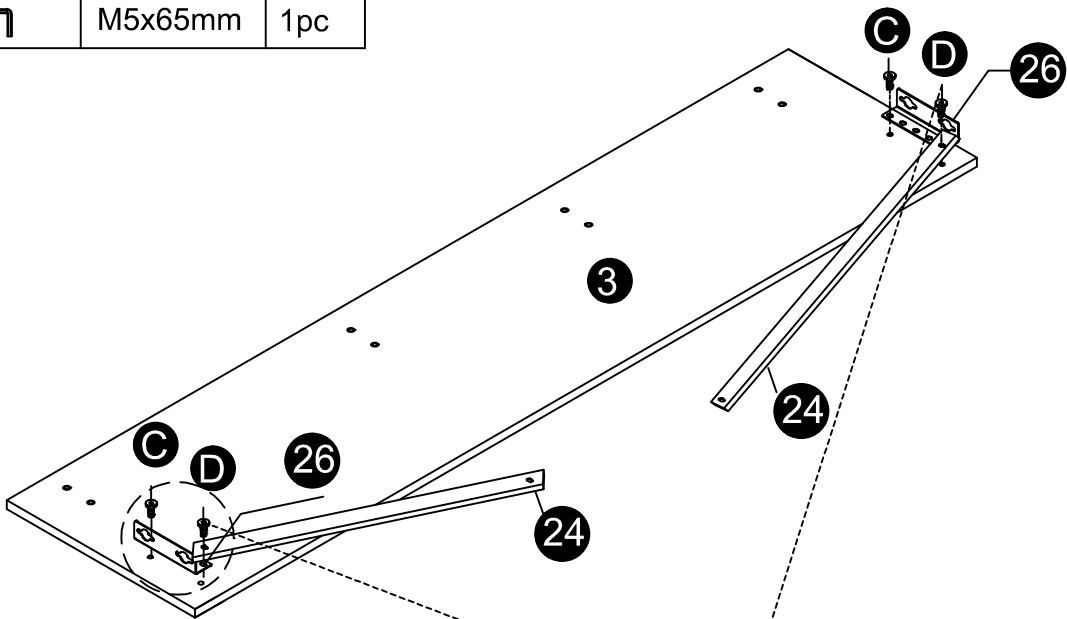
Step4

I		M6x30mm	8pcs
J		M4x65mm	1pc





Step5

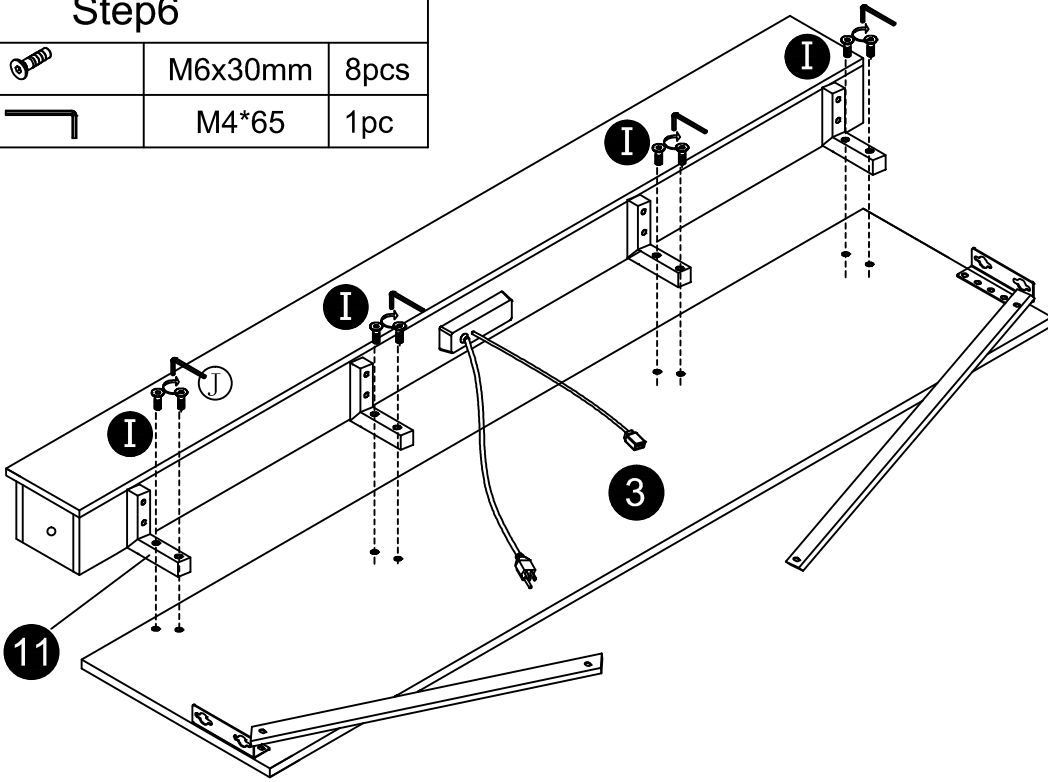
C		M8x20mm	2pcs
D		M8x25mm	2pcs
L		M5x65mm	1pc





Do not tighten the D bolt yet

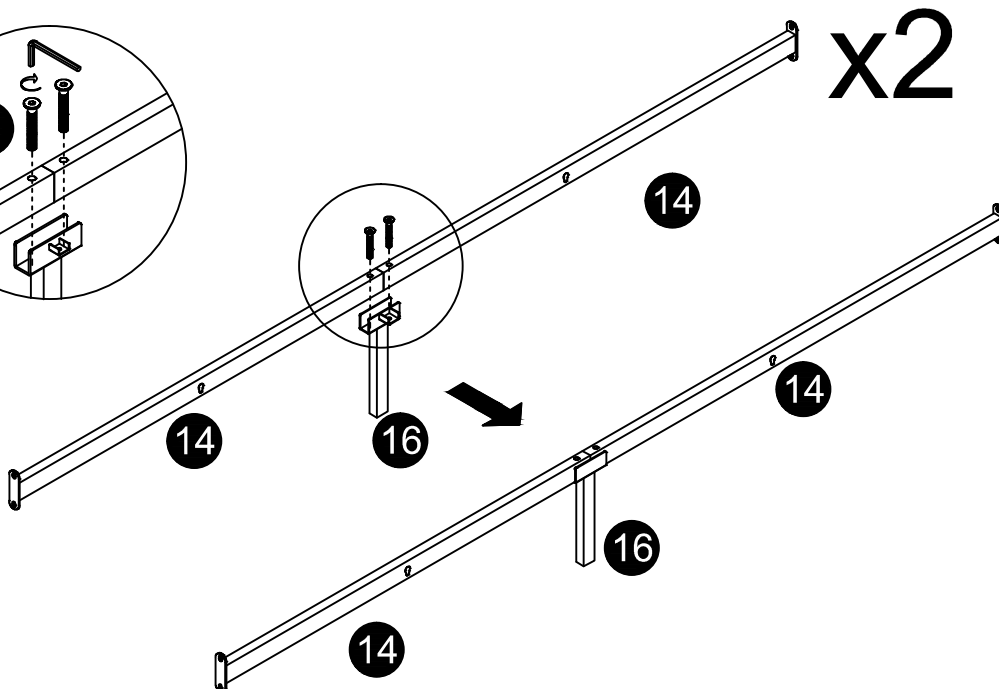
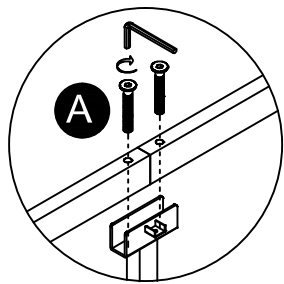
Step6

I		M6x30mm	8pcs
J		M4*65	1pc





Step7

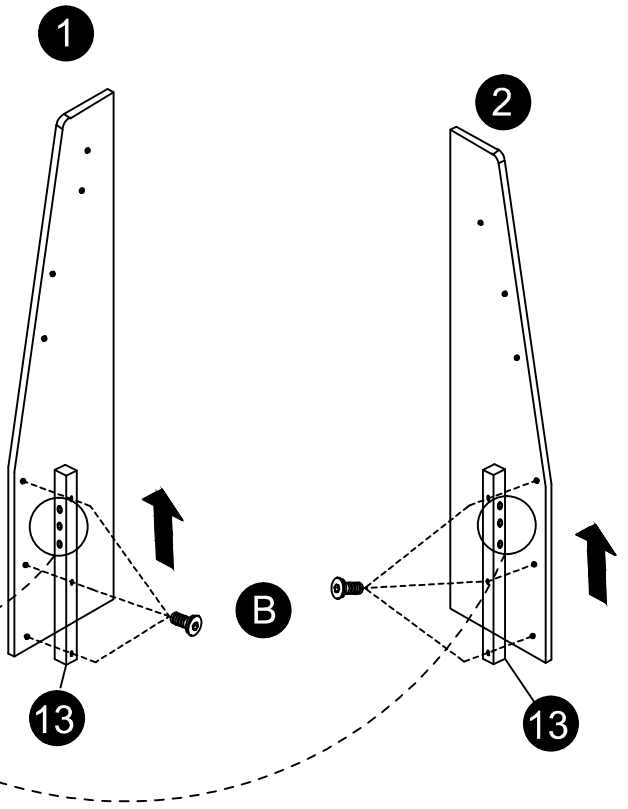
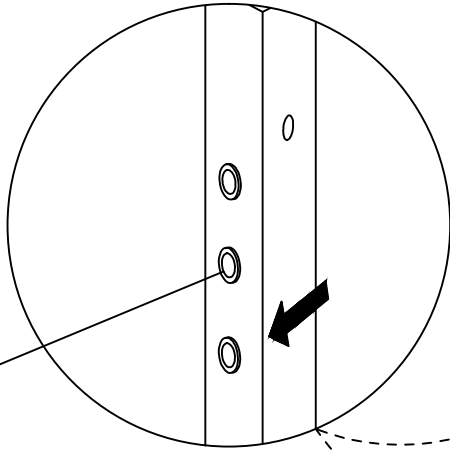
A		M8x50mm	4pcs
L		M5x65mm	1pc





Step8

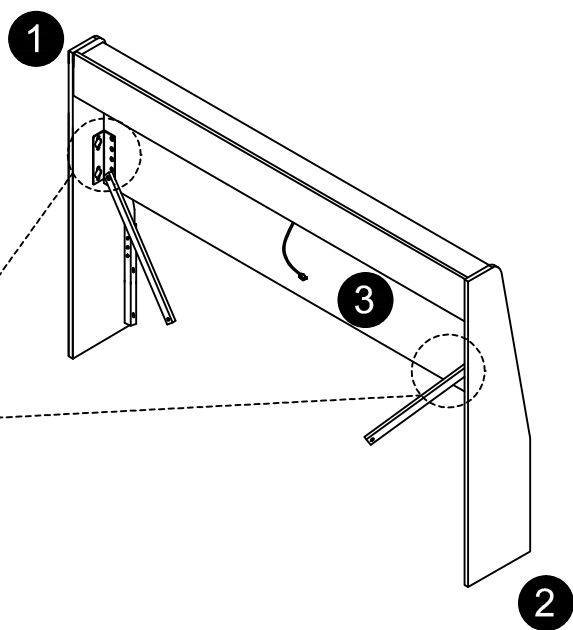
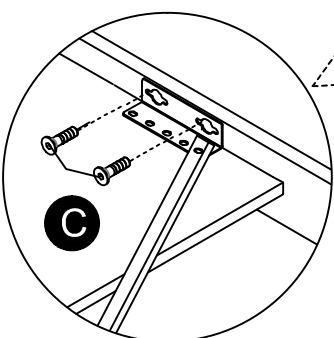
B		M8x35mm	6pcs
L		M5x65mm	1pc

The protruding rivet at the front is located at the front



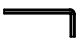


Step9

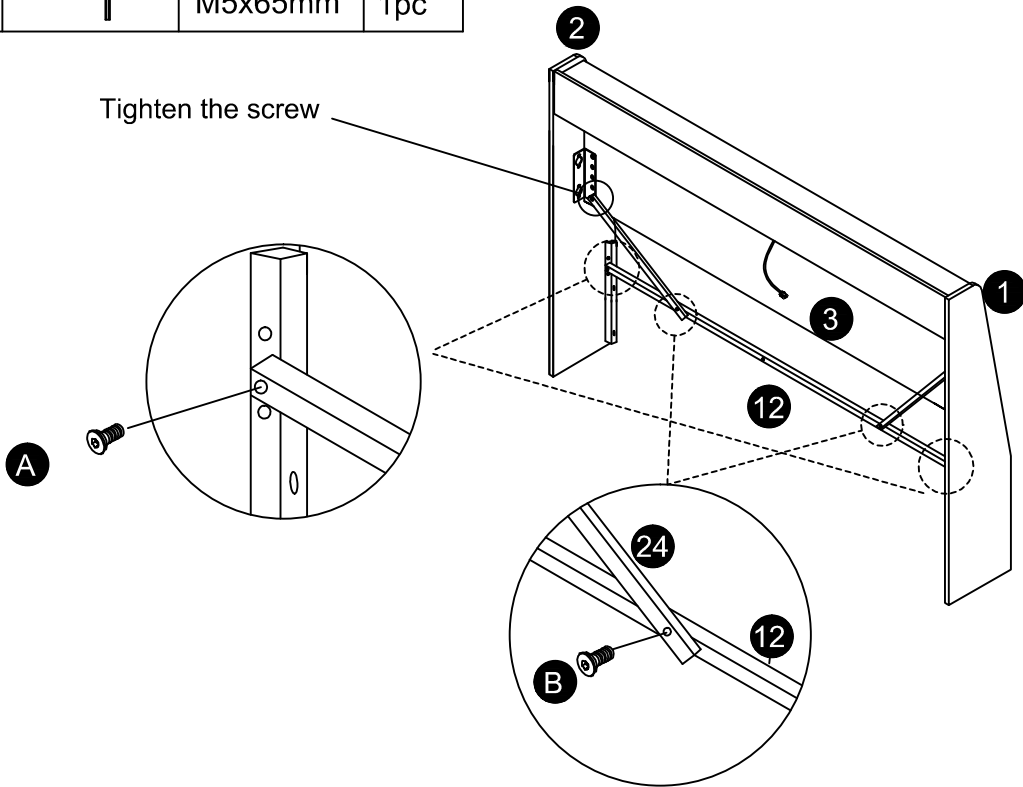
C		M8x20mm	4pcs
L		M5x65mm	1pc





Step10

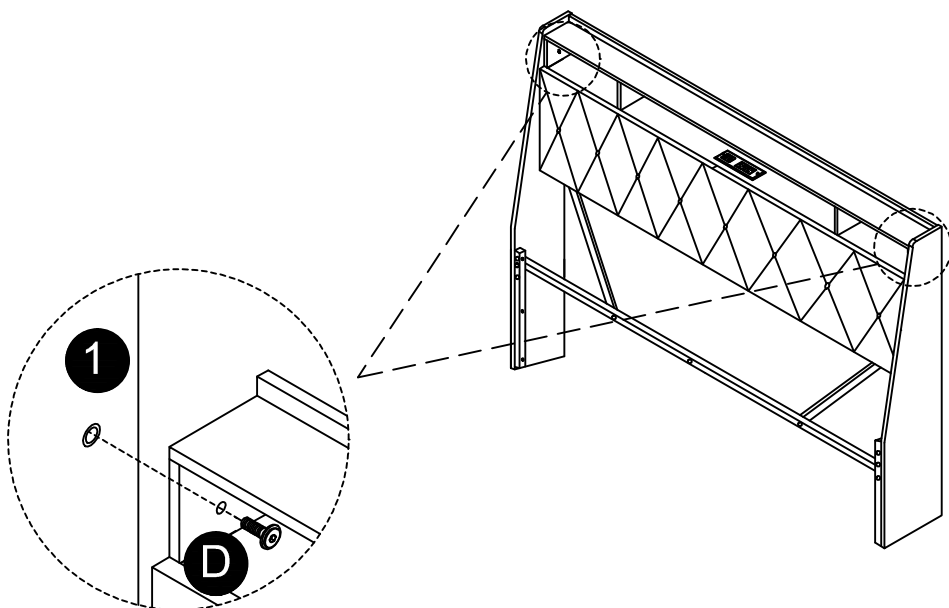
A		M8x50mm	2pcs
B		M8x35mm	2pcs
L		M5x65mm	1pc

Tighten the screw

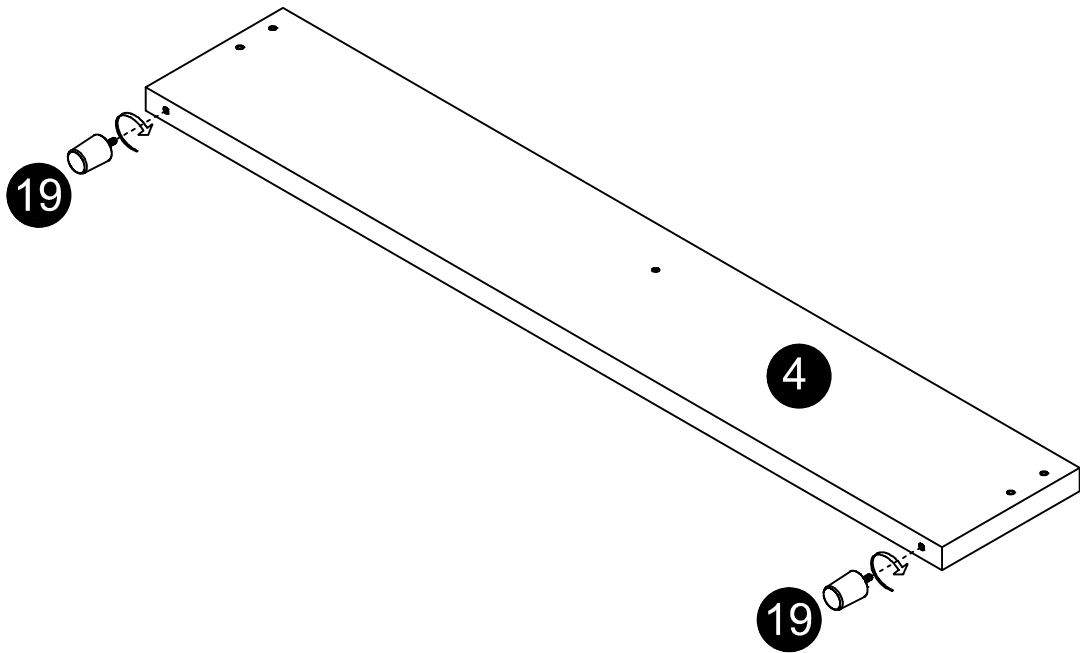


Step11



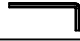
D		M8x25mm	2pcs
L		M5x65mm	1pc

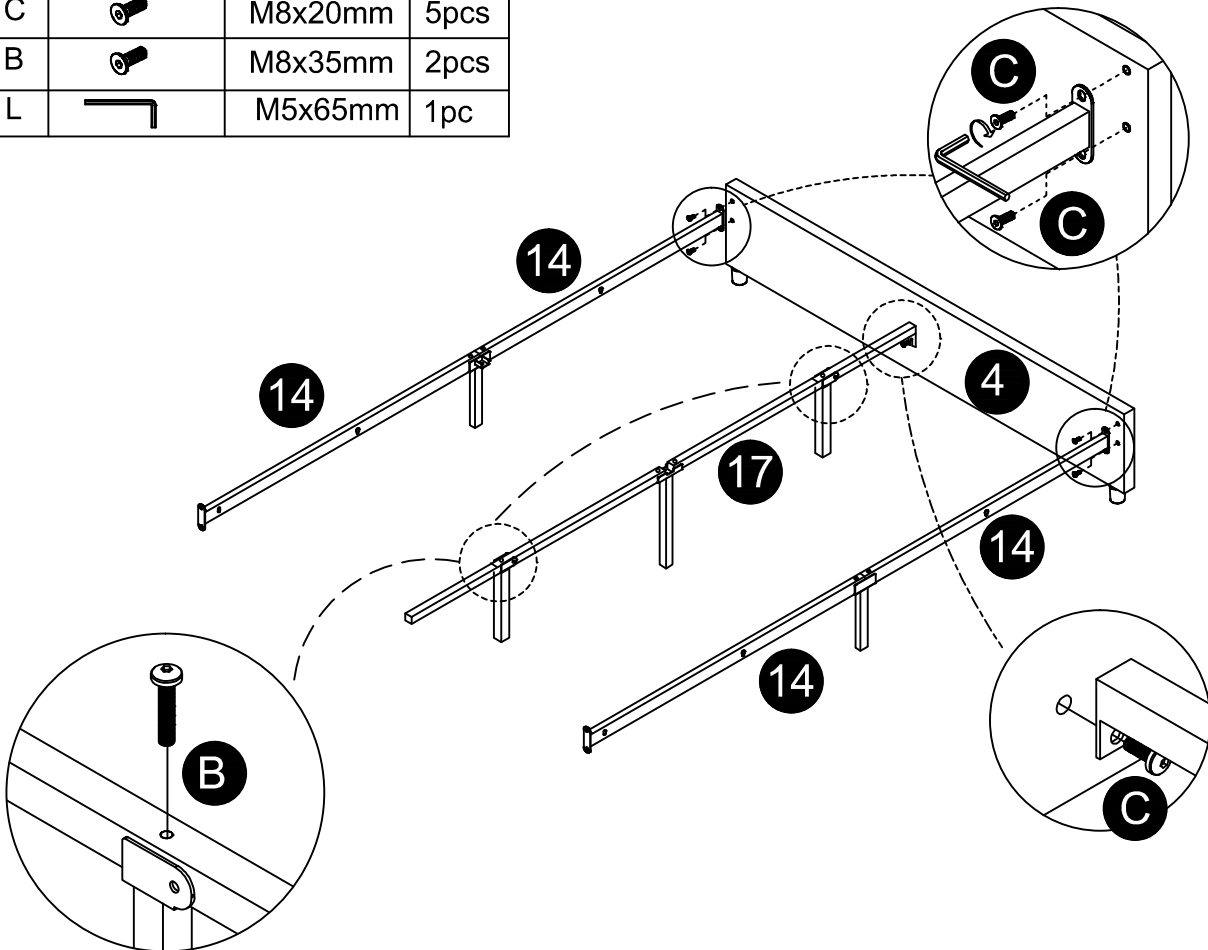


Step12






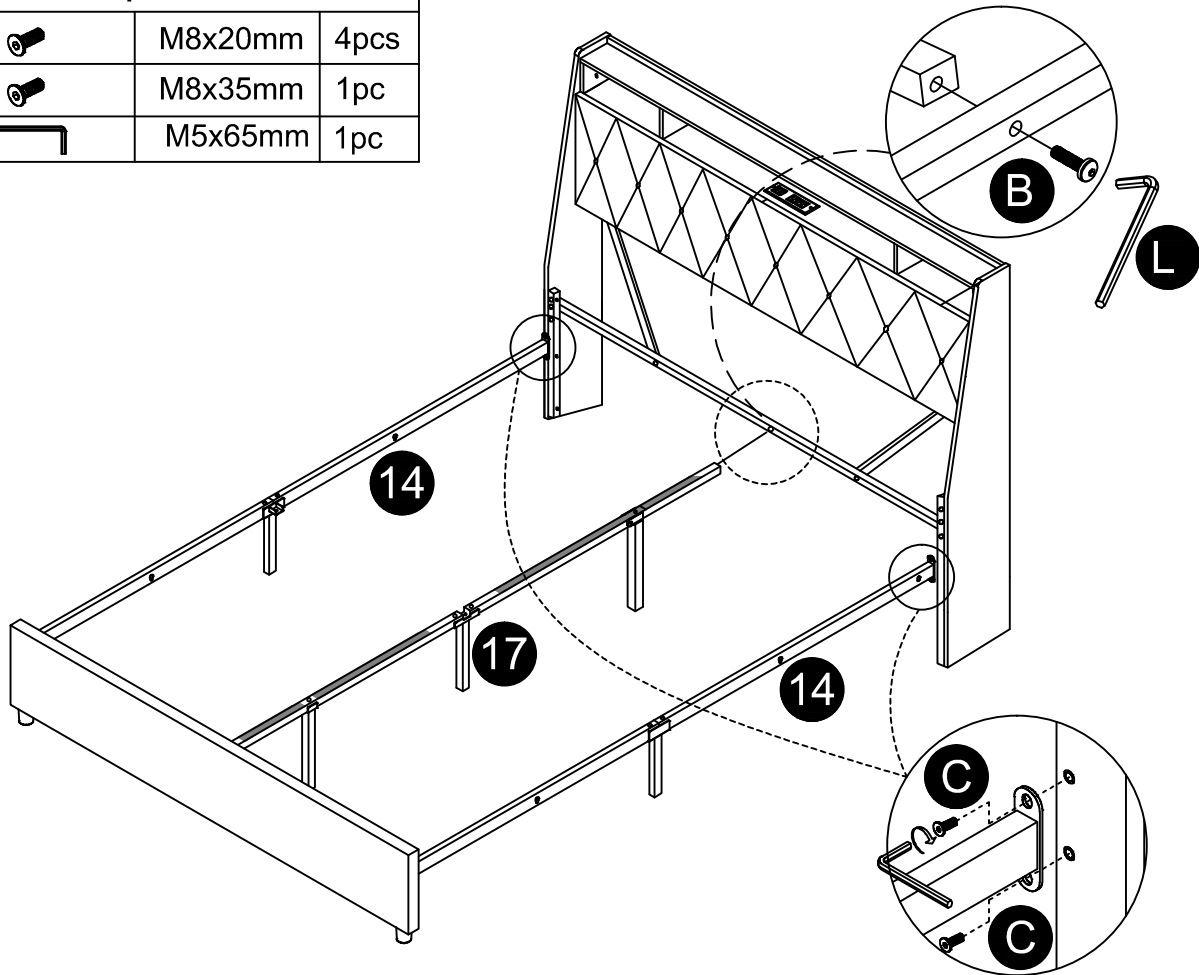
Step13

C		M8x20mm	5pcs
B		M8x35mm	2pcs
L		M5x65mm	1pc






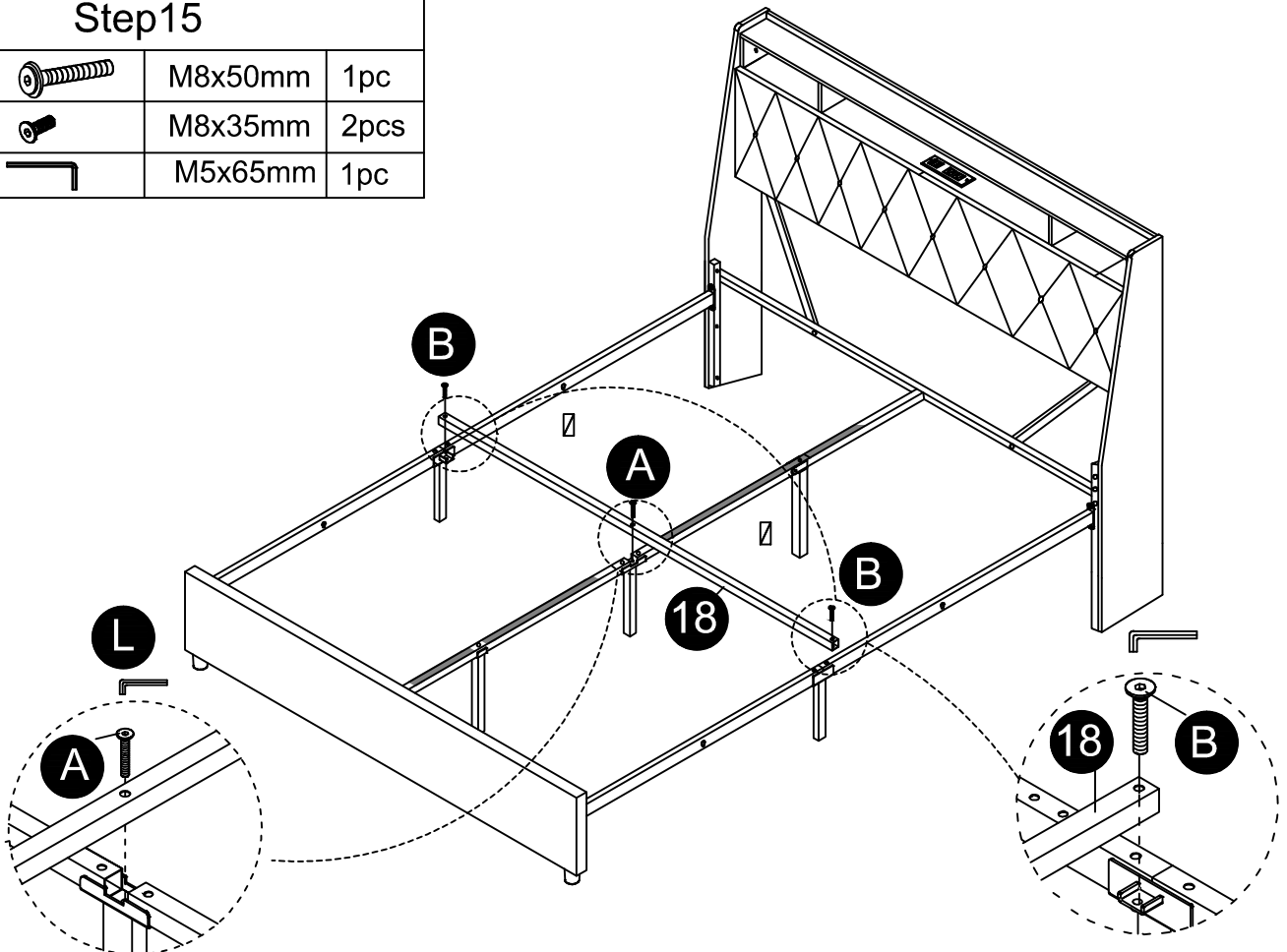
Step14

C		M8x20mm	4pcs
B		M8x35mm	1pc
L		M5x65mm	1pc

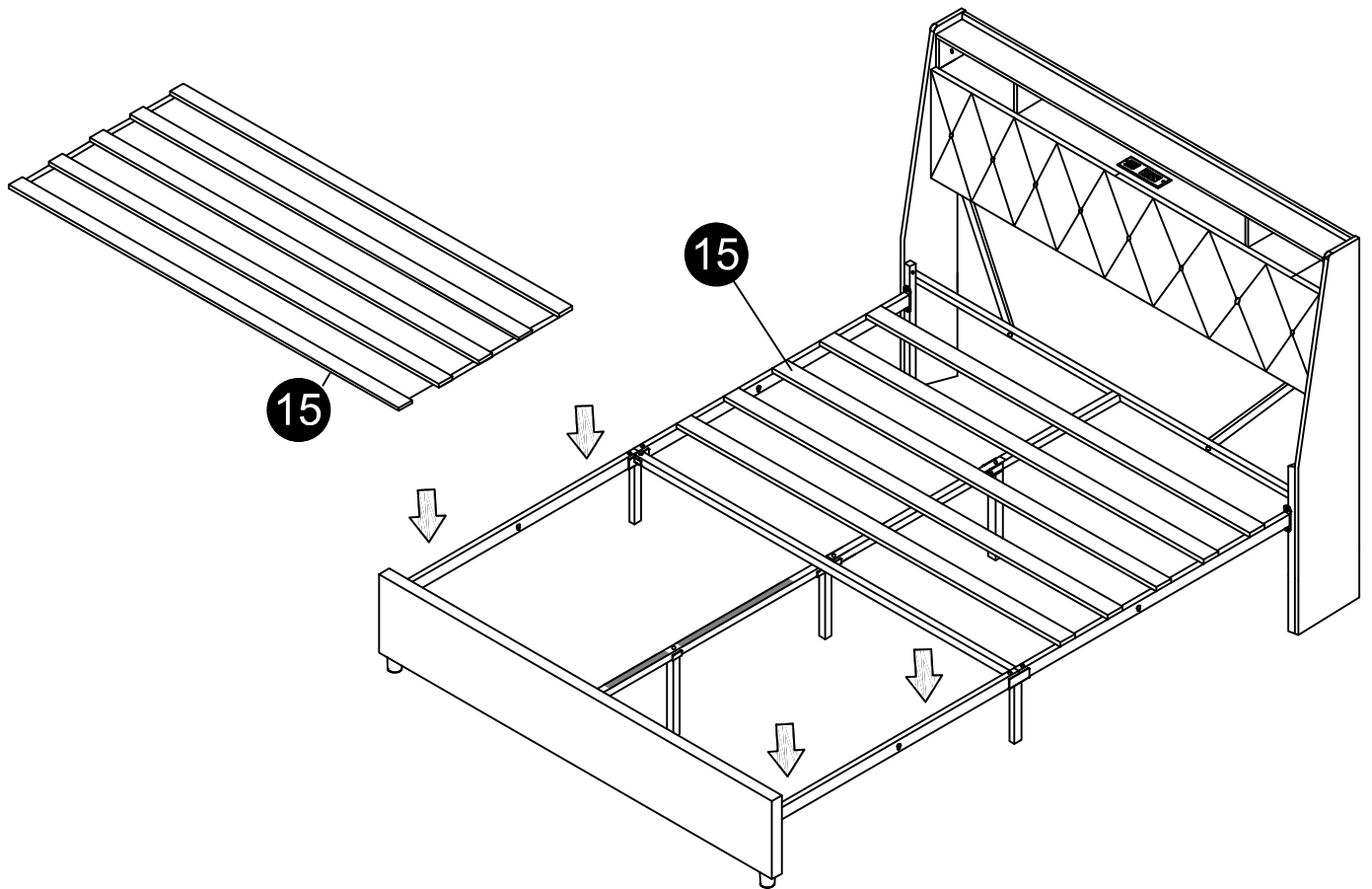


Step15

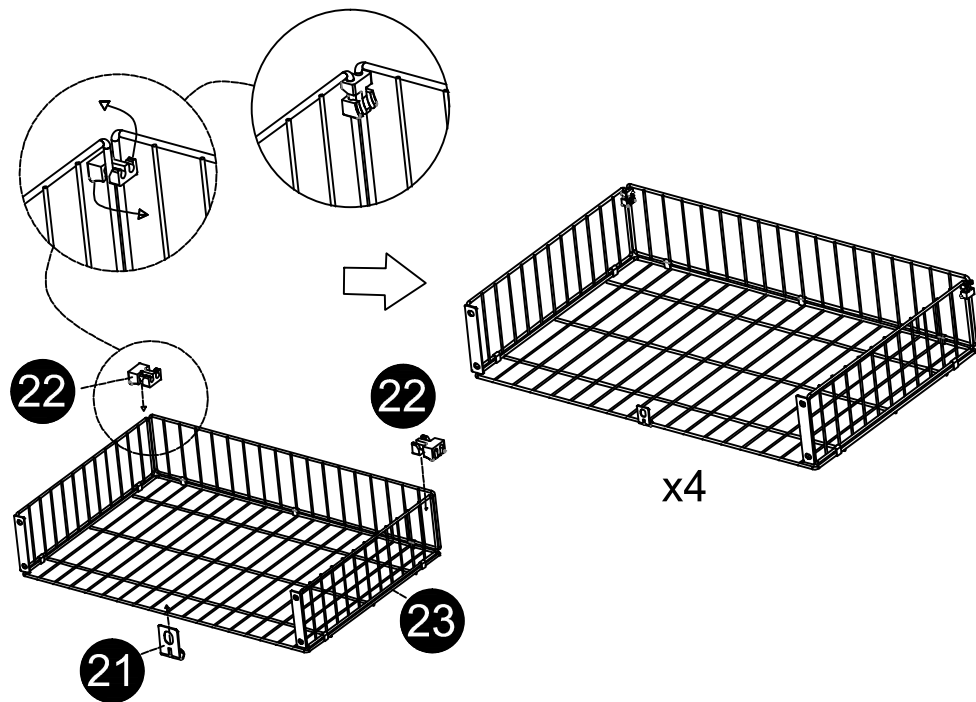
A		M8x50mm	1pc
B		M8x35mm	2pcs
L		M5x65mm	1pc



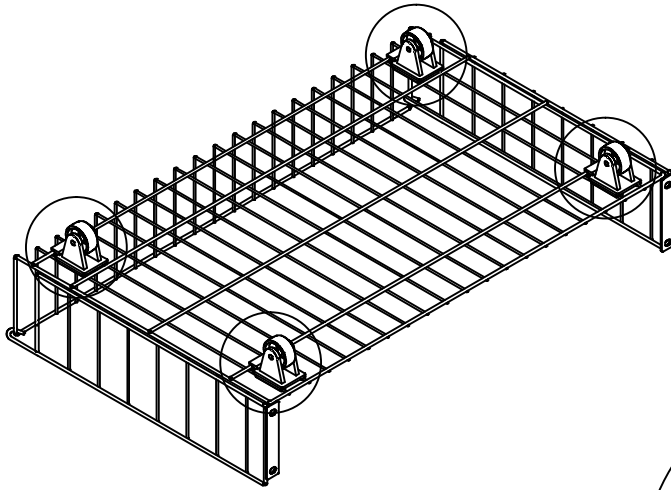
Step 16



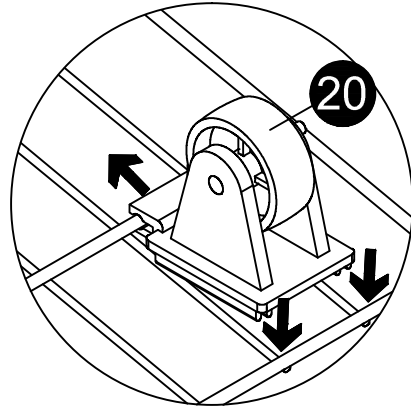
Step 17



Step18

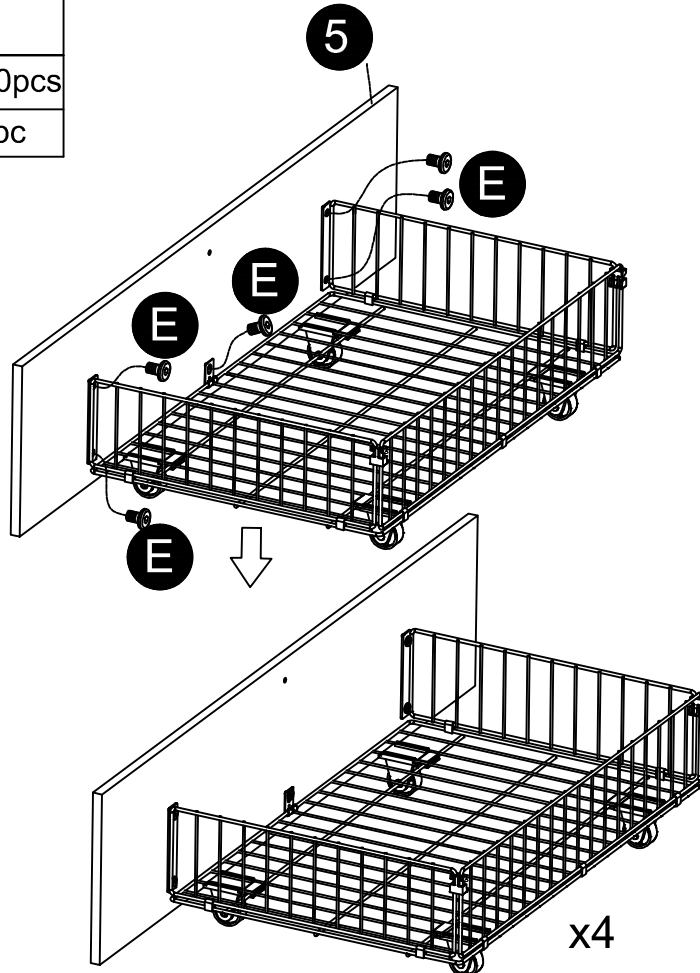


x4





Step19

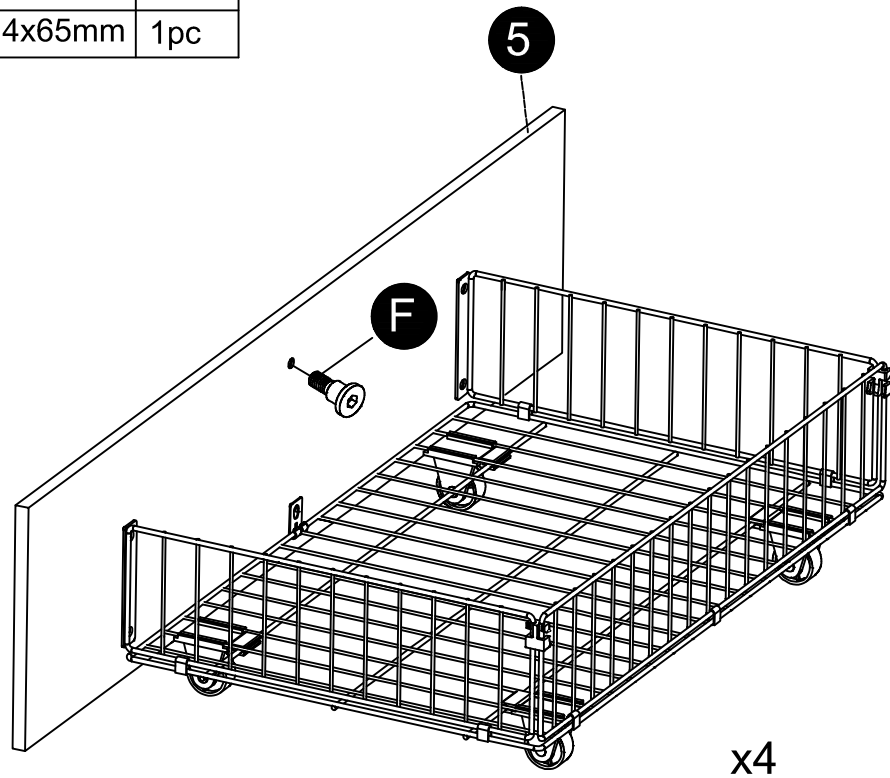
E		M6x12mm	20pcs
J		M4x65mm	1pc



x4

Step20

F		M6x20mm	4pcs
J		M4x65mm	1pc



Step21

