

DREAMS

IDEA

Instruction Manual



DREAMS/IDEA

NO.OD0005-SOFA

ABOUT US

DREAMSIDEA IS A ONE-STOP HOME
FURNISHING AND SERVICE COMPANY BASED IN USA.

WE ARE DEDICATED TO BRING YOUR DREAM HOME TO LIFE.

OUR SERVICES COVER FROM DESIGN, PRODUCTION,
DIRECT SELL, STORAGE, AND TRANSPORTATION.

IF REALITY IS THE NEAR SHORE

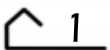
AND IDEALISM THE FAR SHORE,

DREAMSIDEA

AS THE FERRY BETWEEN THEM,

EAGER TO ACCOMPANY YOU ON A JOURNEY

TO YOUR IDEAL HOME.



ITEM NO.OD0005-SOFA

WARRANTY

We strive to offer high quality product and we also try our best to satisfy each customer that order from us, no matter on products or services as needed. Each customer receives a record of their order, such as the order number or item receipt. For any items that are out of warranty period, you may still be able to purchase the replacement parts from our company if they are available.

Are you having difficulty
with assembly? Missing parts?
Please contact us : info@firstopintl.com
Tel:(562)-781-3327

send an email with your order No. to us
For return, please check the return policy with
the retailer or platforms you bought from.
Appreciate your purchasing from us.
Pop up your life by our furniture !



MAINTENANCE AND WARNING

Please read the manual thoroughly
before you start installing.

Please keep the product away from
sharp object.

Packaging and small parts may have
chocking hazard, please keep them away
from children and pets.

Please clean the product according to each
clean code, check the product description
for more information.

Please keep the product away from
fire.

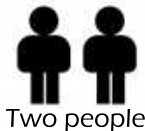
If you have any other questions, please
contact us, we will be glad to help you out.

If the product is placed under direct
sunlight, the pattern or color might fade
away overtime.

Check the product periodically to make
sure everything is secured and tightened.

Always use proper tools for installation.

Do not jump on the product.



Around 45 min

PRDOUCT DESCRIPTION

Made with waterproof Oxford fabric, this chair is built to withstand various outdoor conditions and is easy to clean.

Soft, resilient cushions provide both comfort and support, making it perfect for extended outdoor relaxation.

The solid wood frame ensures long lasting strength and durability, with a weight capacity of 400 lbs.

· Ideal for patios, gardens, decks, and more, this chair suits any outdoor environment.

With its sturdy construction and weatherproof fabric, this chair is designed to last through all seasons.

Dream

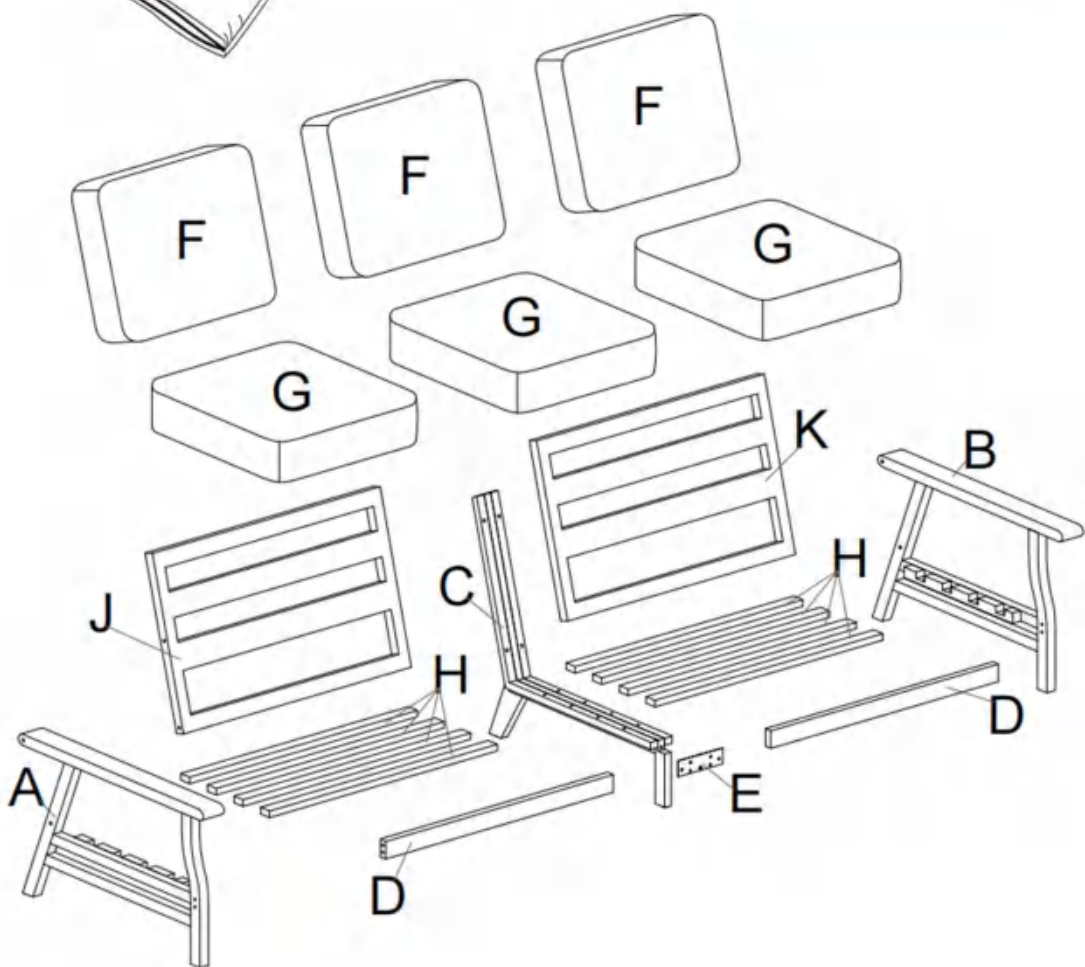


House

EXPLODED VIEW



The product's left and right are determined by sitting posture



PARTS

A*1



Right arm

B*1



Left arm

C*1



Middle arm

D*2



Front bar

E*1



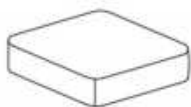
Metal plate

F*3



Back cushion

G*3



Seat cushion

H*8



Connector bar

J*1



Back frame-Right

K*1



Back frame-Left

Ox3



Bag

Ix3



Seat cover
(Hide in bag)

Mx3



Backrest cover
(Hide in bag)

★The Cover with the washing label is the Backrest Cover

HARDWARE

TOOL LIST

NOTE: Designated with (★) We provide additional spare parts in the hardware package

①*7



★ M6*16mm
Bolts

③*1



Allen wrench

④*4



Vertical nut

⑤*12



★ Hole cover

⑥*20



★ M6*25mm
Bolts

⑦*2



M6*30mm
Bolts

⑧*28



★ Ø6*14mm
Flat washer

⑨*6



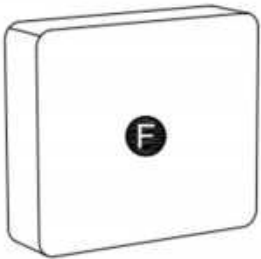
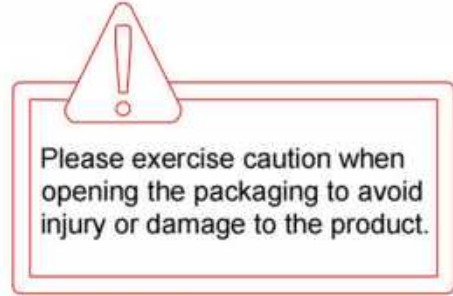
★ M6*50mm
Bolts

Please make sure all hardware&packing material fitting the list.
Especially some small accessories may be missing during transportation. Please contact us if you have any question.

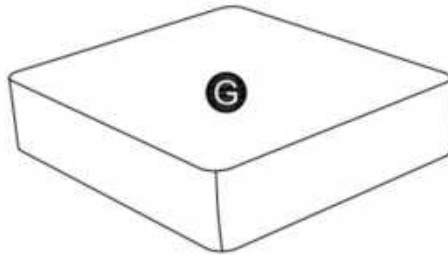
step 1 ---Cut the plastic air compression bags

Take out the roll of compressed cushion from the box.

Cut open the compression bag along the paper strip on the roll bag. Full recovery may take up to **48** hours, but you can gently slap the sofa to speed up the process.



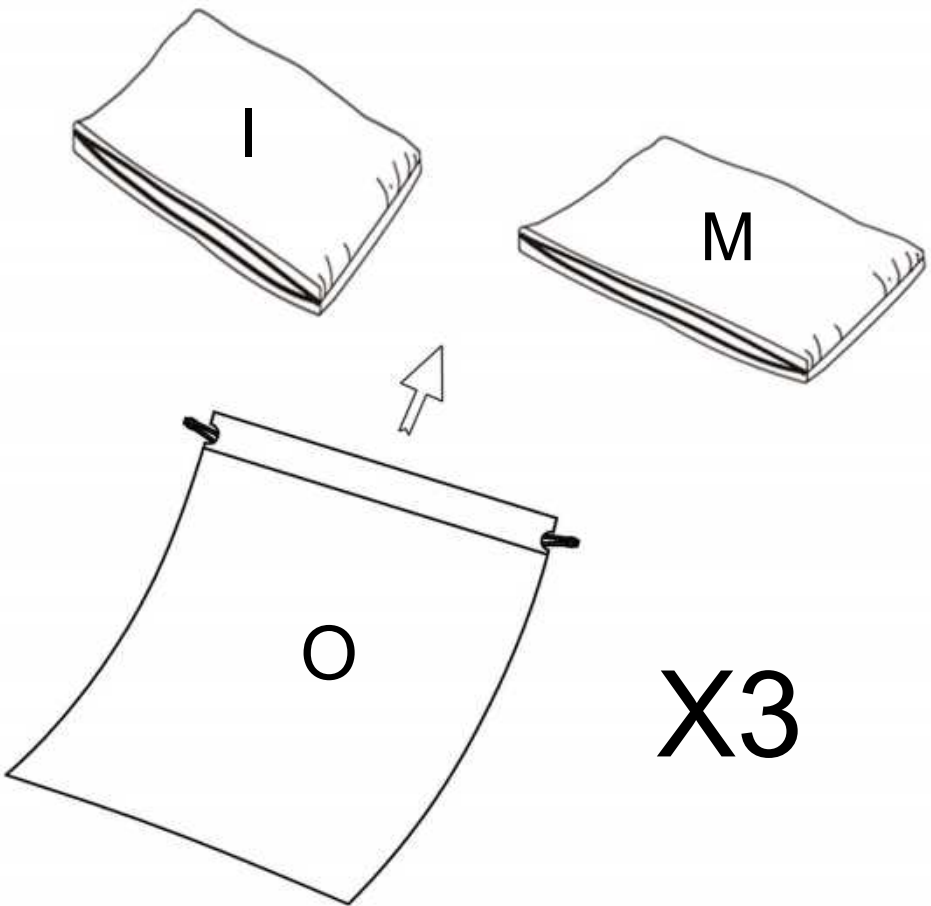
X3



X3

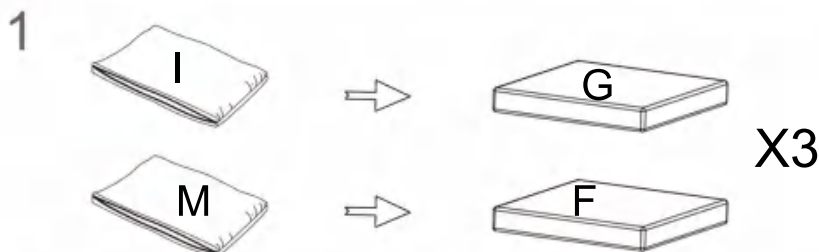
step 2 ---Take out the cushion cover

Open the bag, take out the back cushion cover (M) and seat cushion cover (I).



step 3 ---Put on the cushion cover

How to Put on the Cushion Cover



1. Take the cushion covers and inner inserts out of the carton.



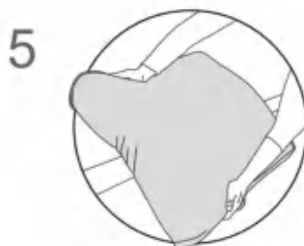
2. Fold the inner in half, pushing the sides together, then begin to slide the cover onto it.



3. Align both far corners, then gently compress insert while fitting cover around it.



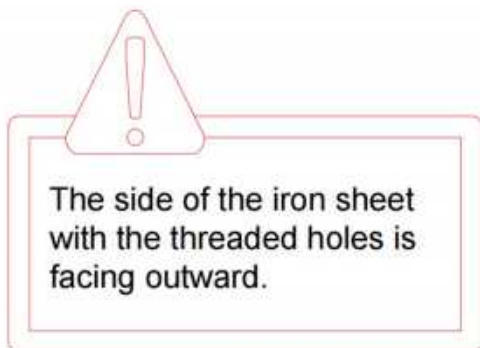
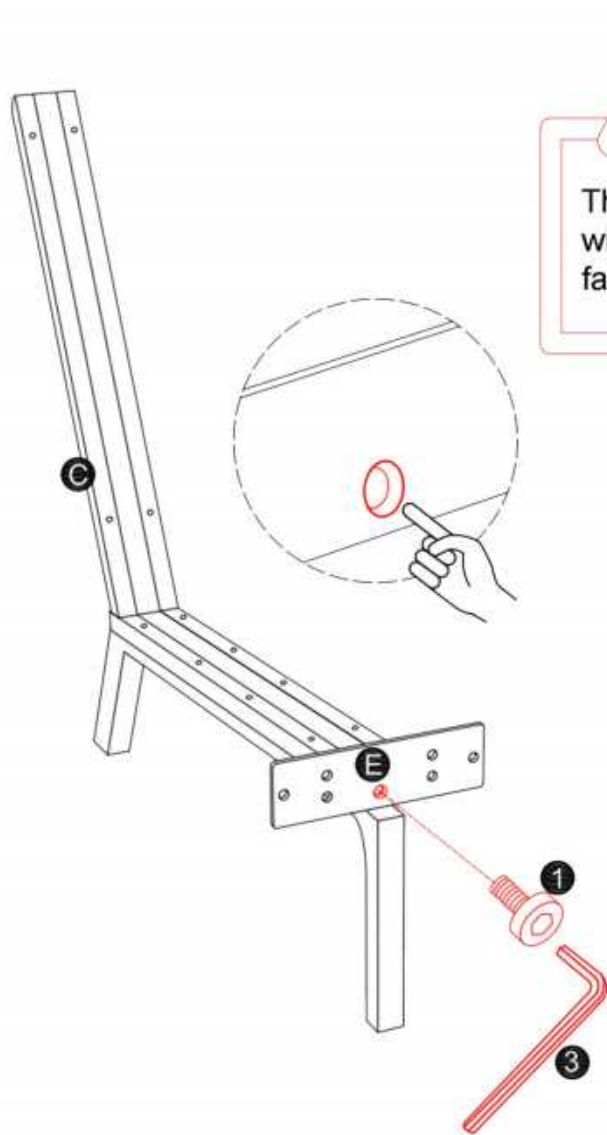
4. To avoid a stuck zipper, please pull the fabric away from the zipper before moving forward.



5. When all done, please pat the cushion or give it a little shake to make it more flat.

step 4 ---Fix the Iron Plate (E)

Secure the iron plate (E) to the Middle Leg (C). Use the provided allen wrench (3) to tighten the bolt (1).



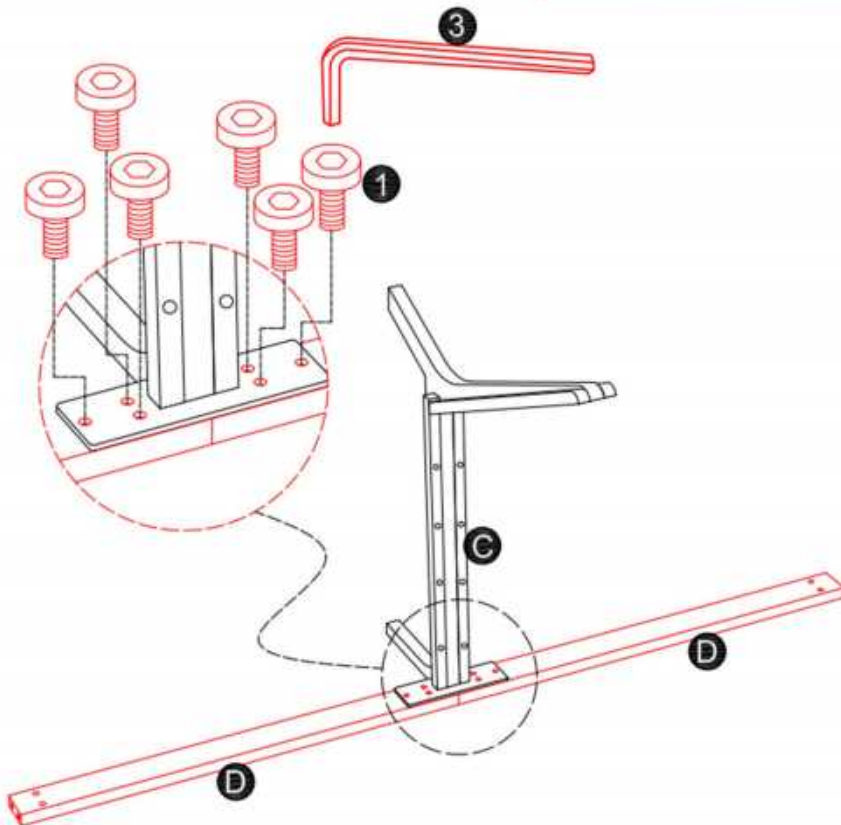
step 5 ---Connect the Front Bars (D)

Align the Front Bars (D) with the iron plate installed in the previous step. Use the provided allen wrench (3) to tighten the bolts (1) on both parts of the Iron Plate as shown.



Notice:

We suggest tightening the bolts for 30-50% first, make sure the process is correct and bolt holes are aligned, then fully tightening them all.

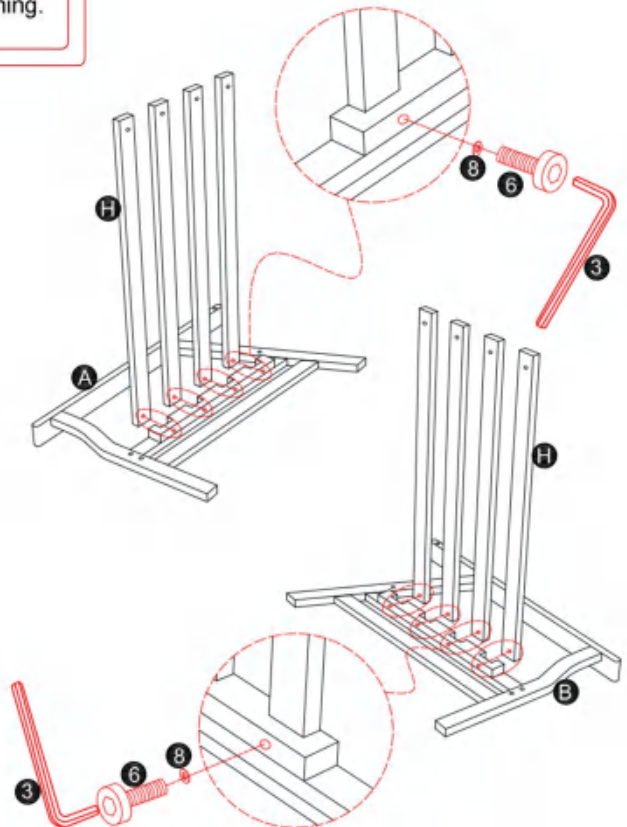


step 6 ---Install the Wood Frame Bars (H)

Align the Wood Frame Bars (H) with the designated grooves on both the Left and Right Arms (B&A), as shown. Place one washer (8) on each bolt (6), then use the provided allen wrench(3) to tighten all bolts.

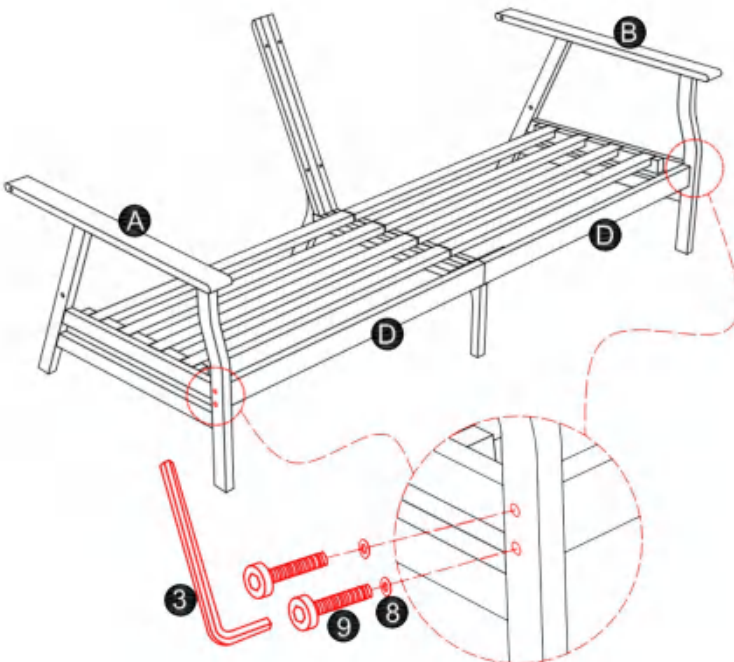
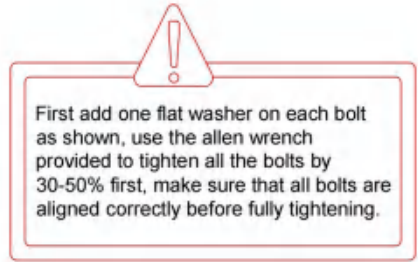
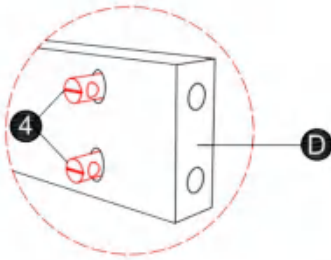


First add one flat washer on each bolt as shown, use the allen wrench provided to tighten all the bolts by 30-50% first, make sure that all bolts are aligned correctly before fully tightening.



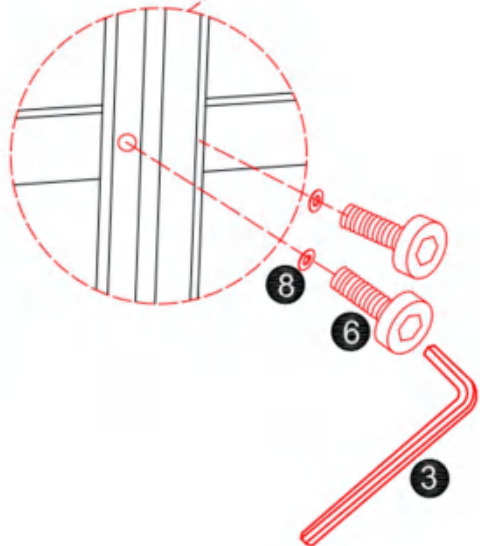
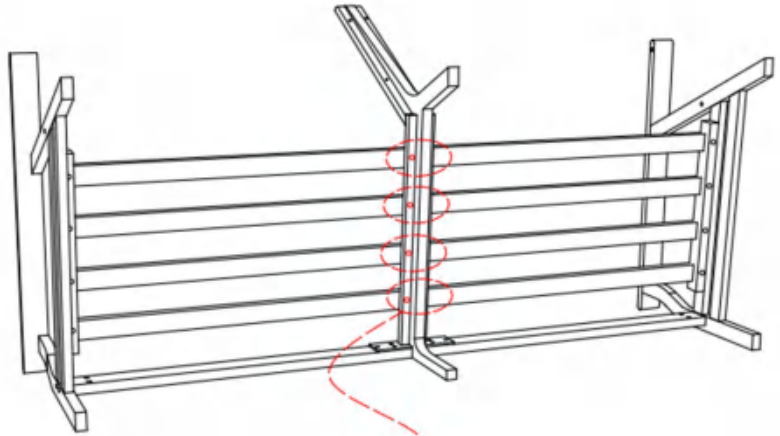
step 7 ---Place the Hammer Nuts & Connect the Left and Right Parts

Insert the Hammer Nuts (4) into the pre-drilled holes on the Front Bars. Ensure the holes on the side of the Hammer Nuts align with the holes on the sides of the Front Bars. Place one flat washer (8) on each bolt (9). Then, use the provided allen wrench(3) to secure the Left and Right Legs to the Front Bars as shown. Tighten all bolts to 80%



step 8 ---Secure the Middle Leg (C)

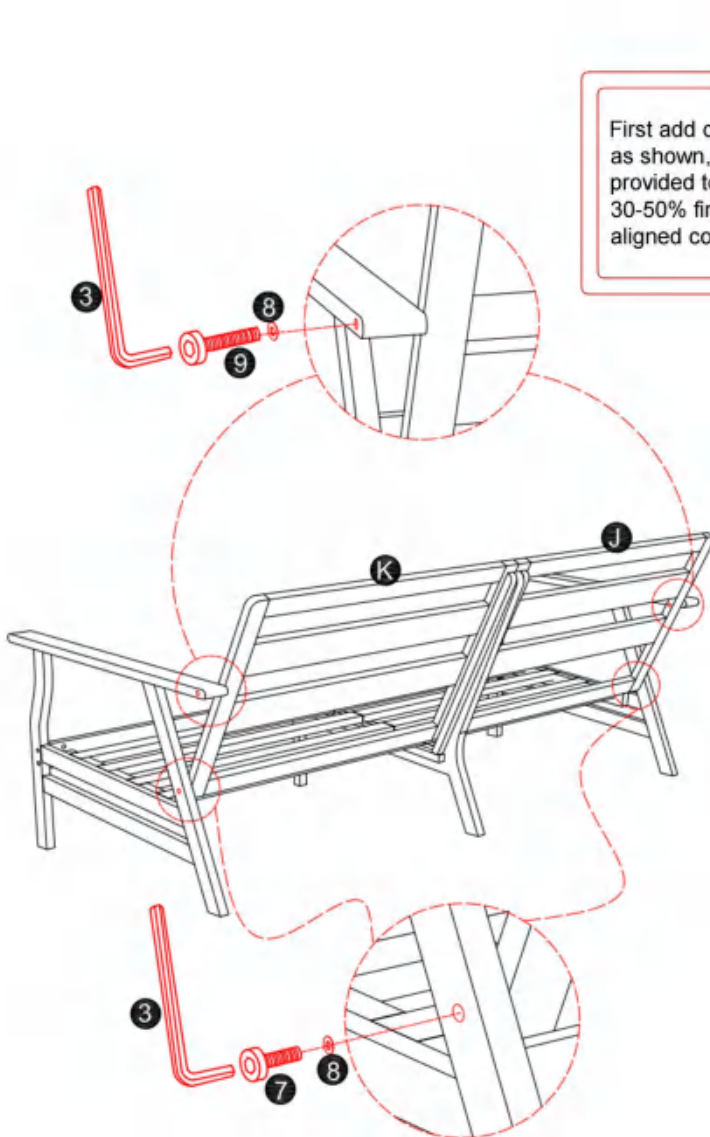
Flip the assembled unit over as shown. Use the provided allen wrench to tighten the bolts (6) and washers (8) connecting the Wood Frame Bars and the Middle Leg.



First add one flat washer on each bolt as shown, use the allen wrench provided to tighten all the bolts by 30-50% first, make sure that all bolts are aligned correctly before fully tightening.

step 9 ---Install the Back Frames (K)&(J)

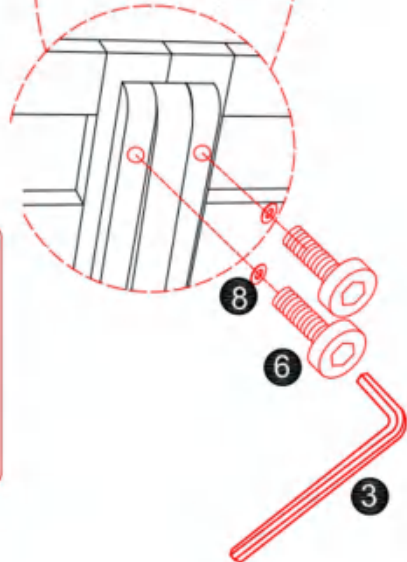
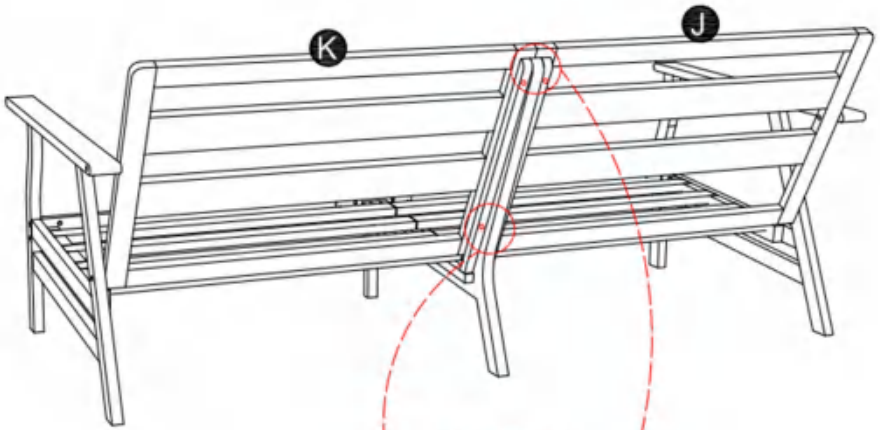
Stand the assembled unit on its legs. Install the Back Frames to the Arms as shown. Use the provided allen wrench to fully tighten all bolts and washers including from previous steps.



First add one flat washer on each bolt as shown, use the allen wrench provided to tighten all the bolts by 30-50% first, make sure that all bolts are aligned correctly before fully tightening.

step 10 ---Tighten the Back Frames

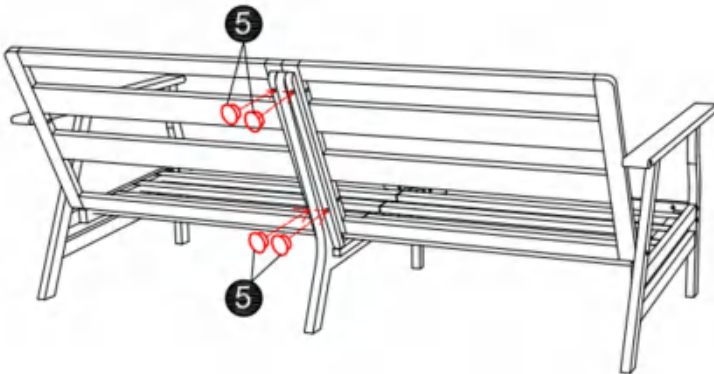
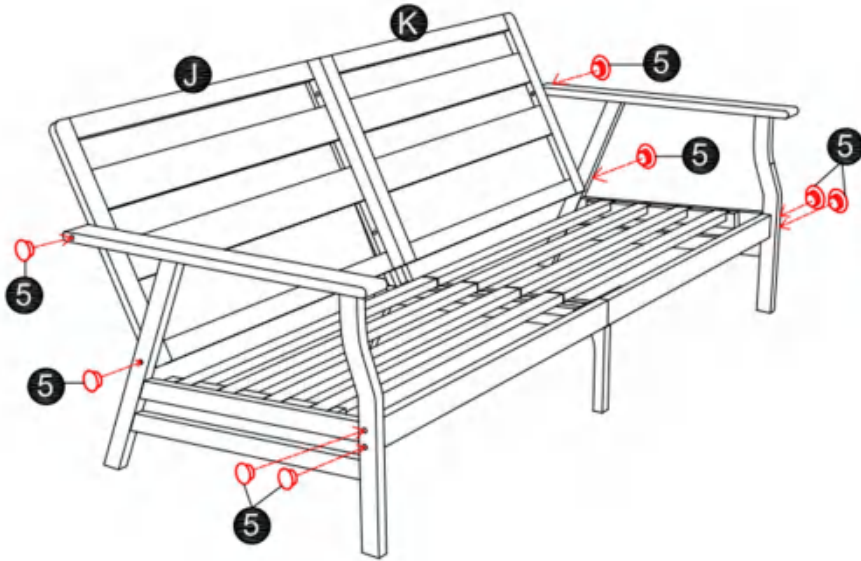
Place one washer on each bolt, then use the provided allen wrench to fix the Middle Leg with the Back Frames as shown.



First add one flat washer on each bolt as shown, use the allen wrench provided to tighten all the bolts by 30-50% first, make sure that all bolts are aligned correctly before fully tightening.

step 11 ---Install the Plastic Caps (5)

Place the Plastic Caps (5) to cover all bolt holes, as shown.

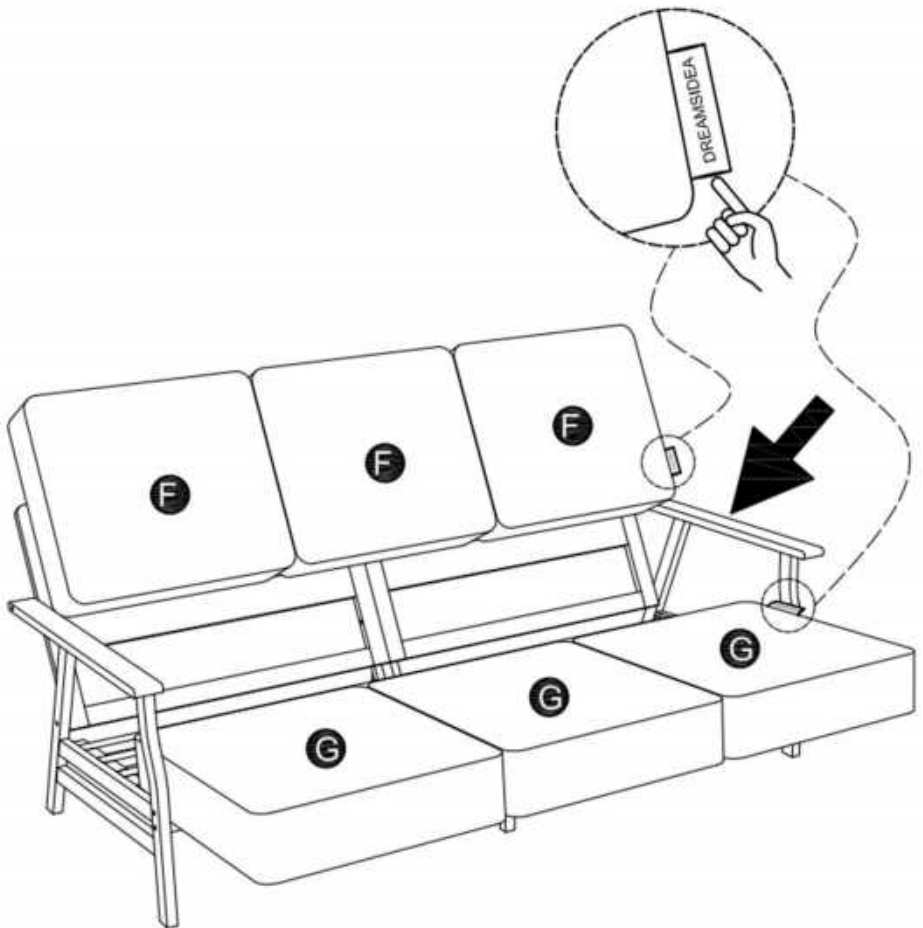


step 12 ---Place the Seat cushion (G) & Back cushion (F)

Turn the Back cushion & Seat cushion with the labeled side facing up.

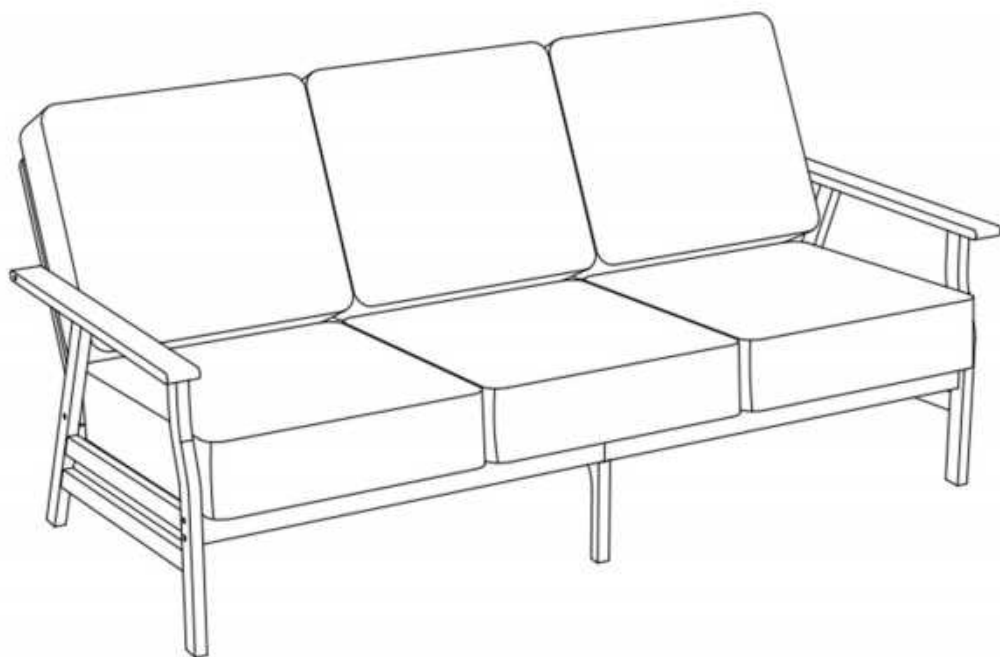
Place the Seat cushion(G) on it.

Place the Back cushion(F) on it.



step 13 ---Assemble complete

Assemble complete! Thank you for choosing our product!
Please enjoy!







ASSEMBLY INSTRUCTIONS

Tel.(562)-781-3327

Please contact us:info@firstopintl.com

<https://www.dreamsidea.com>