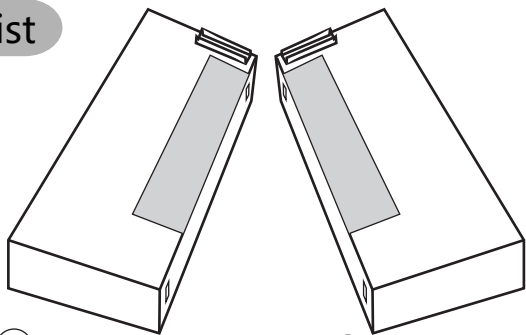
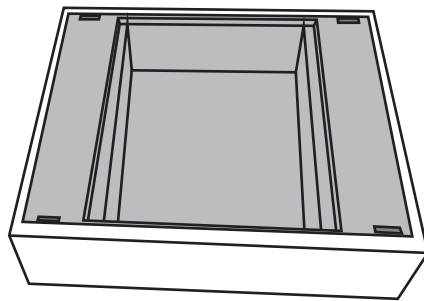


Parts List

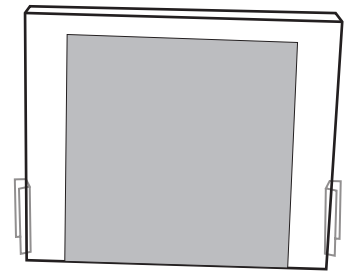


Ⓐ Armrest right

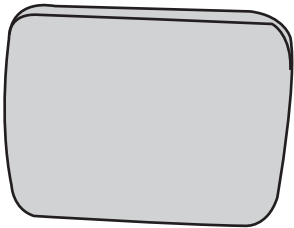
Ⓑ Armrest left



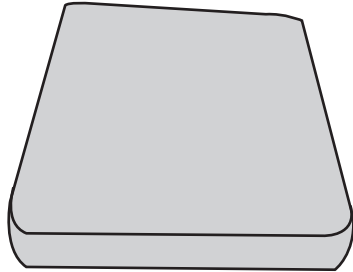
Ⓒ Sofa seat frame



Ⓓ Sofa backrest frame



Ⓔ sofa backpack



Ⓕ sofa seat cushion



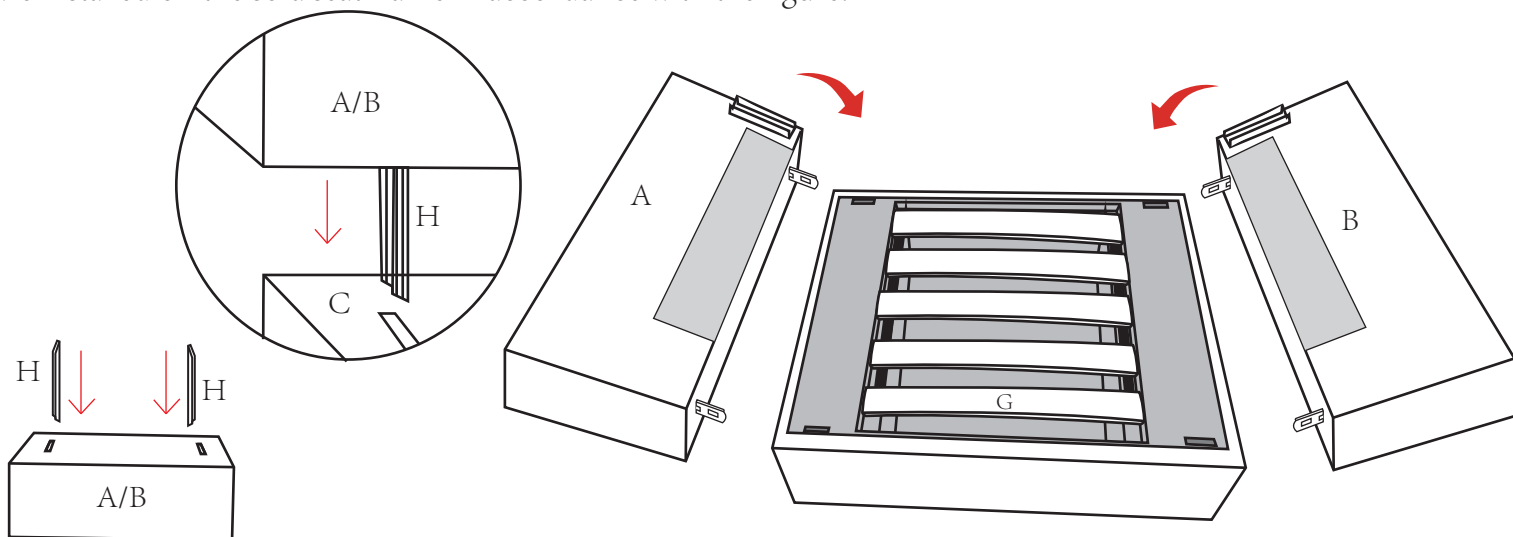
Ⓖ Support board



Ⓖ Connector *4

Installation method

Step 1 : First of all, the support board "G" is placed on the sofa frame at a certain spacing, and then the connector "H" is inserted into the corresponding holes of the left and right armrests, and then the armrests are installed on the sofa seat frame in accordance with the figure.



Step 2 : Sofa backrest frame "D" will be installed as shown in the figure, and finally put on the seat cushion and backpack to complete the installation.

