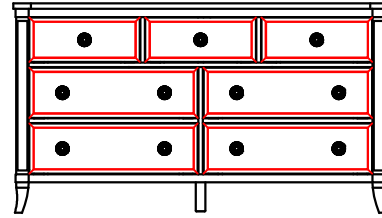


ASSEMBLY INSTRUCTIONS

483-130

TOOLS REQUIRED:

None



BEFORE YOU START:

1. Check the parts against the parts list to make sure all items are present.
2. Assemble your furniture on a soft, flat surface to avoid scratching the finish.
3. CAUTION: Do not over tighten screws, nuts or bolts during assembly.
4. Your furniture may require occasional tightening.

INSTRUCTIONS:

1. Lay the dresser on it's back on flat, clean and soft surface.
2. Attach the center leg to the bottom rail by turning it clockwise until tight. As shown in Figure 1.
3. Carefully turn the dresser to its upright position.
4. To level the dresser, please adjust the levelers accordingly. As shown in Figure 2.

Figure 1

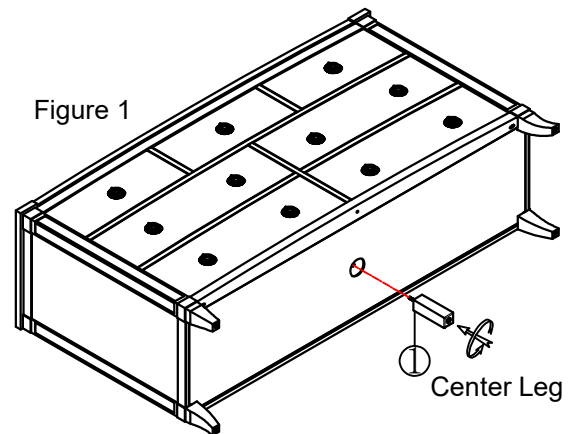
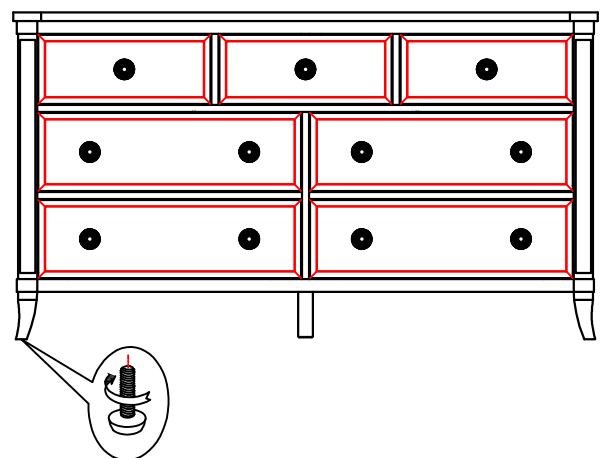


Figure 2



****Warning****

Locate furniture case close to its final location before installing feet/ legs. After installation of feet/ legs use two people to lift the case to its upright position with the provided hand hold cut-outs in the back of the case.

NOTE: USE CAUTION WHEN MOVING FURNITURE ON UNEVEN FLOORS!