

# ASSEMBLY INSTRUCTION

Sleeper Sofa Bed



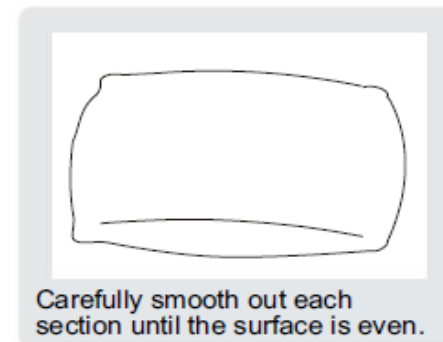
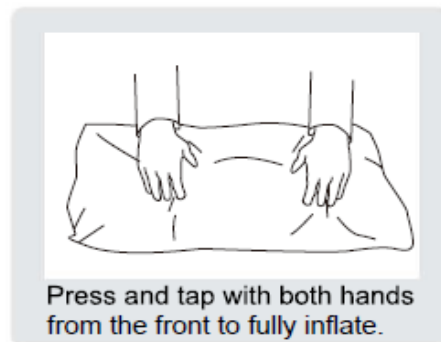
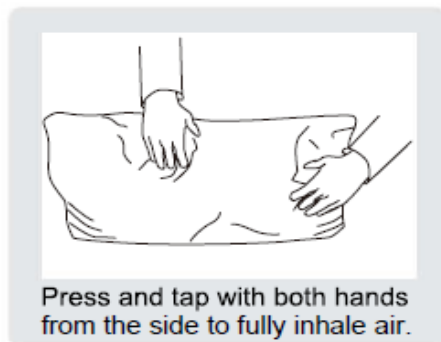
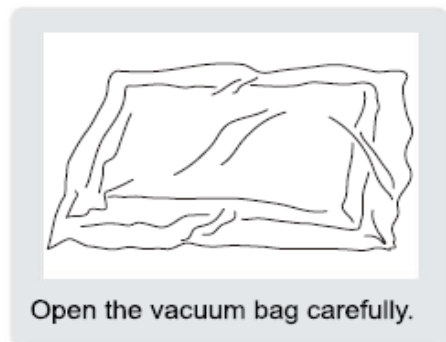
# Safety and Care Advice

**Important – Please read these instructions fully before starting assembly**

Thanks for your purchase. Before assembling, please follow the instructions to check if all the spare parts and screws are intact.

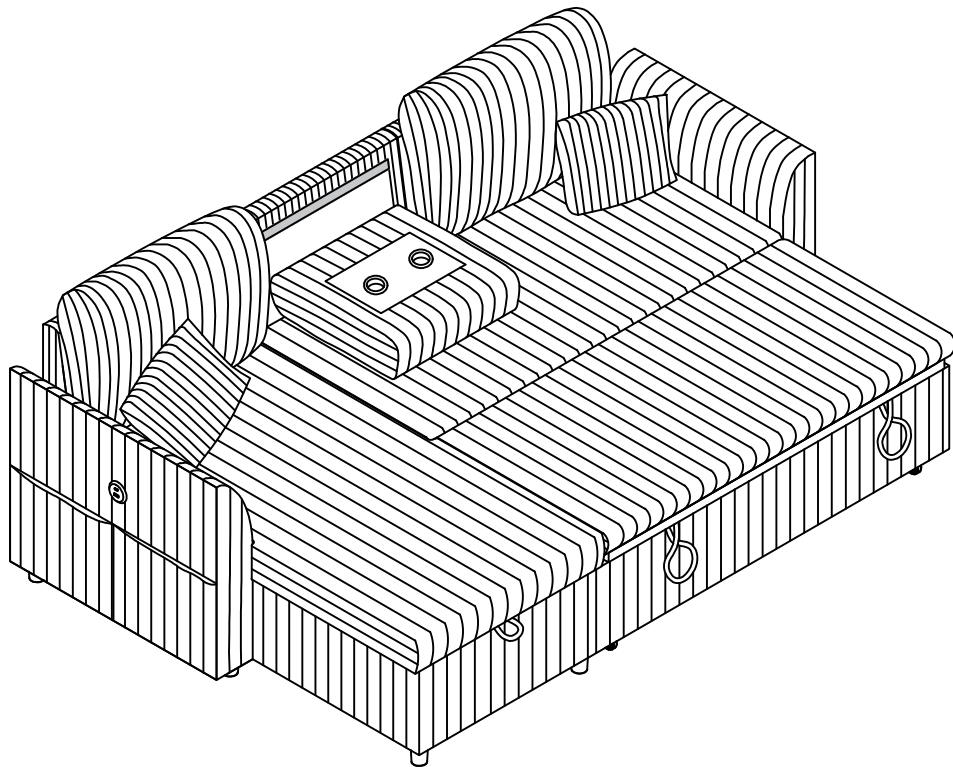
- Considering the size and weight of the sofa, we recommend two adults to assemble the sofa, on a carpeted or padded area, in the room that it is intended for. Approximate assembly time: 120 minutes.
- Keep all components and packaging out of reach of children or animals to avoid the risk of choking or suffocation.
- Please do not throw away any of the packaging or the instruction until you have checked all the components and hardware and the furniture is fully assembled. Please ensure that the packaging is disposed in a safe and environmentally friendly way.
- Please do not take off the cover, and do not wash.

Your cushions come vacuum packed and sealed for shipping. To restore the cushion's original shape, follow the steps below.

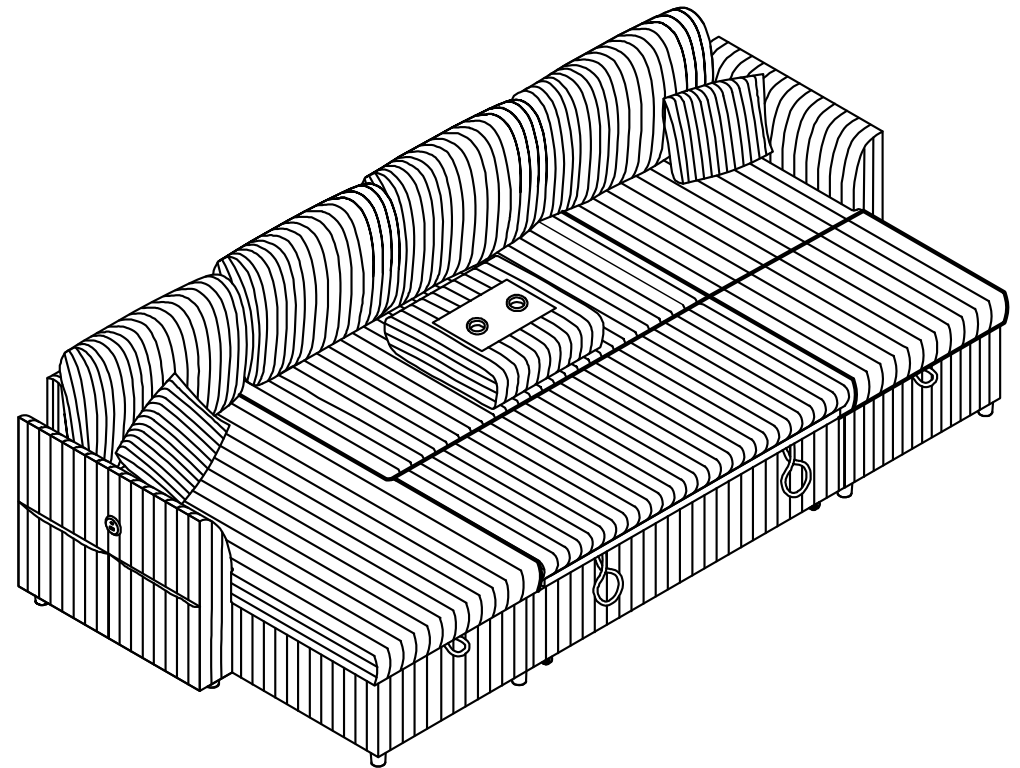


After packing up, place them somewhere dry and ventilated. After about 72-96 hours, it can be restored to the best-use condition.

**L-Shaped: Box 1+Box 2**



**U-Shaped: Box 1+Box 2+Box 3**



**IMPORTANT SHIPPING NOTES:**

**L-Shaped Sofa:** Includes **Box 1 + Box 2** (Total 2 packages).

**U-Shaped Sofa:** Includes **Box 1 + Box 2 + Box 3** (Total 3 packages).

# Packing List

## Important Notice















1. This product is shipped in multiple boxes that may arrive separately. Please ensure all boxes are received before beginning assembly.

**2. Some accessories are stored inside part C and C1. Open the zippers on part C and C1 to retrieve them.**

Below is the list of components included in each box:









### Box1

#### Main Structure Accessories




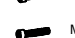





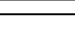


B		Slats X1
C		Two-Seat Back Frame X1
D		Two-Seat Left Side Board X1
D1		Two-Seat Right Side Board X1
E		Pull-out Front Bezel X1 Back
F		Cushion X1
F1		Two-Seat Sitting Pad X1
F3		Chaise Sitting Pad X1 Two-
G		Seat Front Brace X1 Pull-
H		out Metal Frame X1 Left
R1		Armrest X 1
Z		Two-Seat Front Support Wood X1
		Manual X1
		Gloves X 2

### Box2

#### Main Structure Accessories





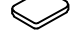

A		Slats X 1
C1		Chaise Back Frame X 1
D2		Chaise lounge base X 1
F		Back Cushion X 1
F2		Pull-out Bed Sitting Pad X 1
F4		Back Cushion X 1
F5		Armrest Pillow X 2
R2		Right Armrest X 1



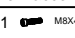

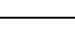

#### Structural Accessories

S		Right Pulling Wheel Bracket X 1
S1		Left Pulling Wheel Bracket X 1
M		Sofa Legs X 10
M2		Washer X 10
N		M8X30mm Bolt X 7
N1		M8X45mm Bolt X 4
P		M8 Allen Key X 1
P1		Small Gaskets X 7
P2		Big Gaskets X 6
T		M8X50mm Bolt X 1
U		M5X17mm Bolt X 4
Z2		Chaise Support Wood X 2

### Box3

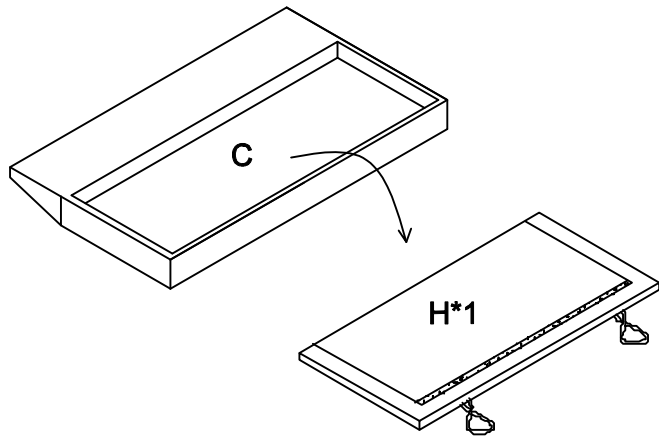
#### Main Structure Accessories Structural Accessories

C1		Chaise Back Frame X 1
D3		Chaise lounge base X 1
D4		Ottoman X 1
F		Back Cushion X 2
F7		Sofa Cushion X 1
F8		Sofa Cushion X 1

M		Sofa Legs X 8
M2		Washer X 8
Screw accessories box		
N1		M8X45mm Bolt X 2
P		M8 Allen Key X 1
P2		Big Gasket X 2
T		M8X50mm Bolt X 1

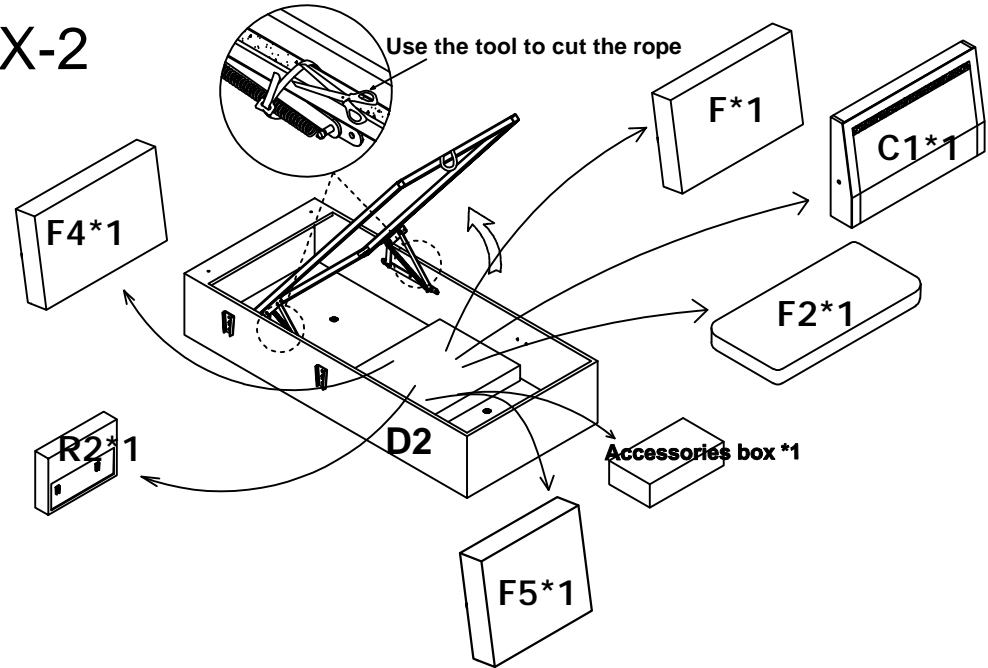
Some accessories are stored in part C  
Open the zipper on part C to retrieve them

### BOX-1

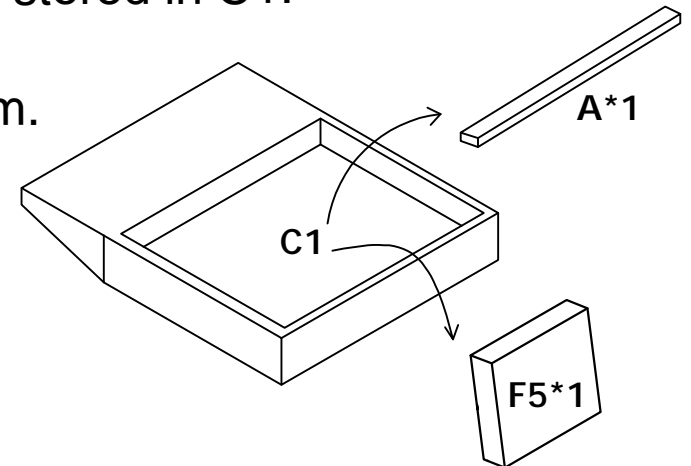


Open the Imperial Concubine Iron Rack to  
remove the internal parts

### BOX-2

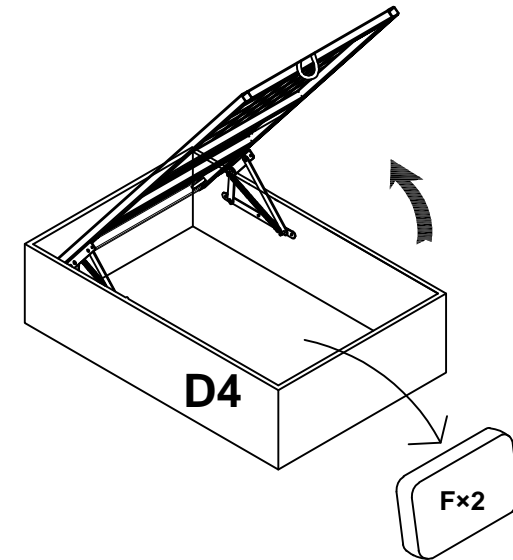
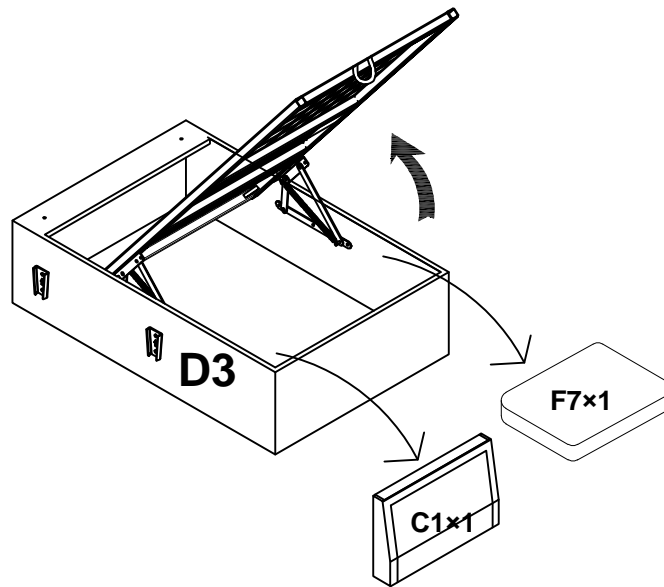


Some accessories are stored in C1.  
Open the zipper on  
part C1 to retrieve them.

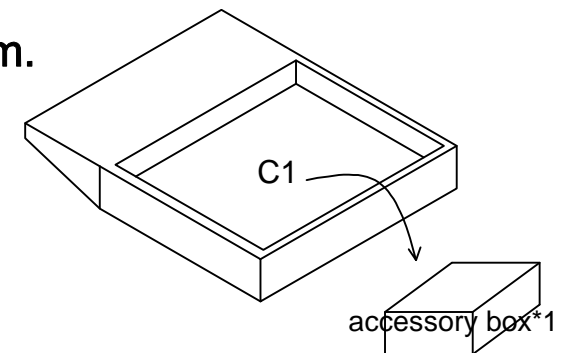


Open the Imperial Concubine Iron Rack to  
remove the internal parts

## BOX-3

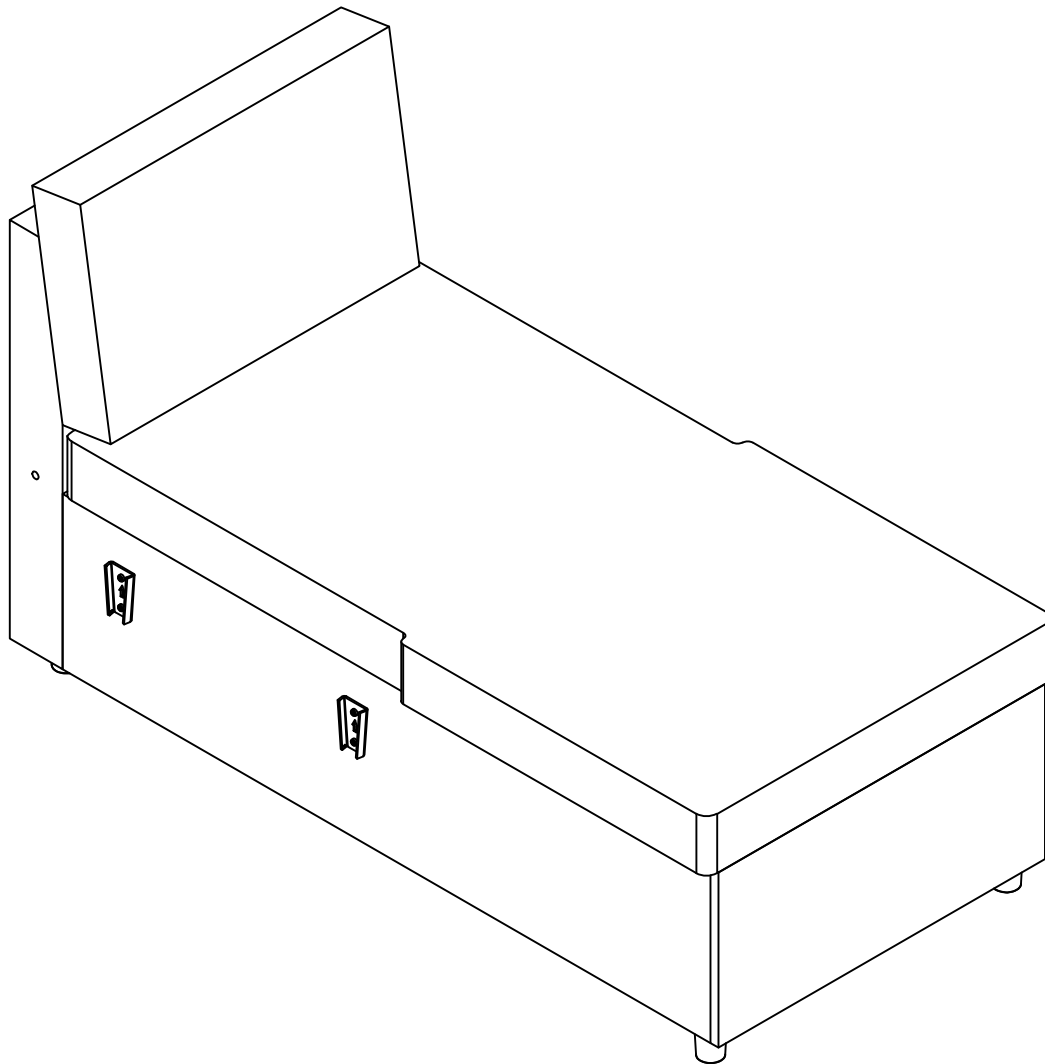
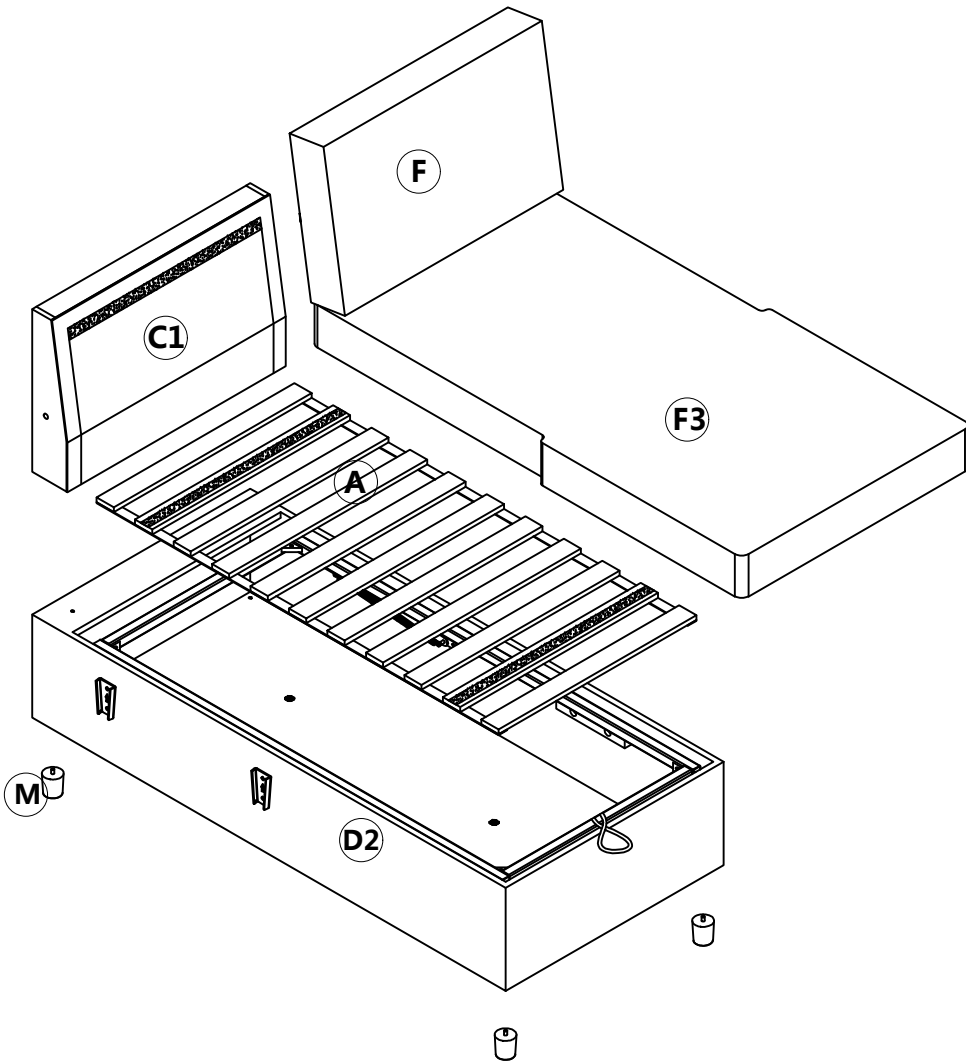


Some accessories are stored in C1.  
Open the zipper on  
part C1 to retrieve them.

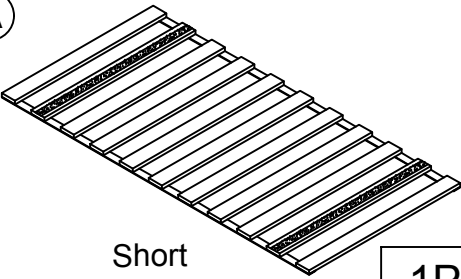
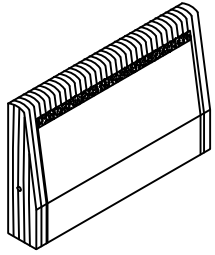
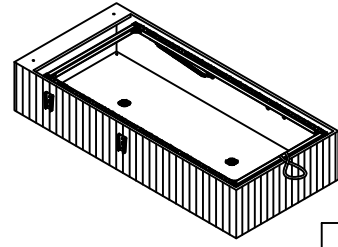
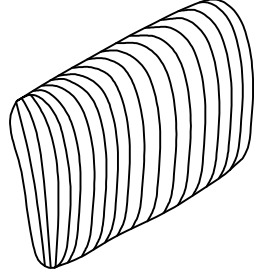
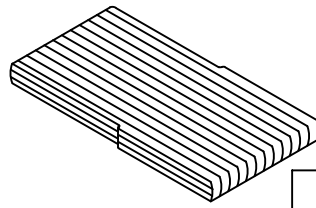


**IMPORTANT INSTALLATION NOTE:**  
The U-Shaped Sofa requires two installations of the Chaise section.

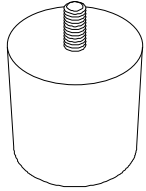
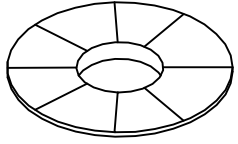
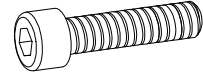
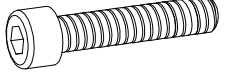
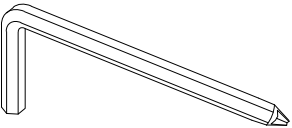
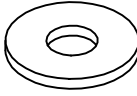
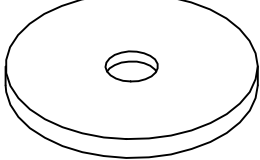
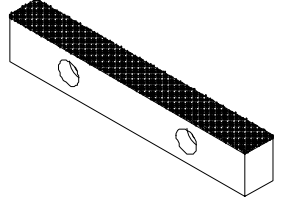
# CHAISE SECTION



# Main Structure Accessories

<p><b>A</b></p>  <p>Short</p> <p>1PC</p>	<p><b>C1</b></p>  <p>1PC</p>	<p><b>D2</b></p>  <p>1PC</p>	<p><b>F</b></p>  <p>1PC</p>
<p><b>F3</b></p>  <p>1PC</p>			

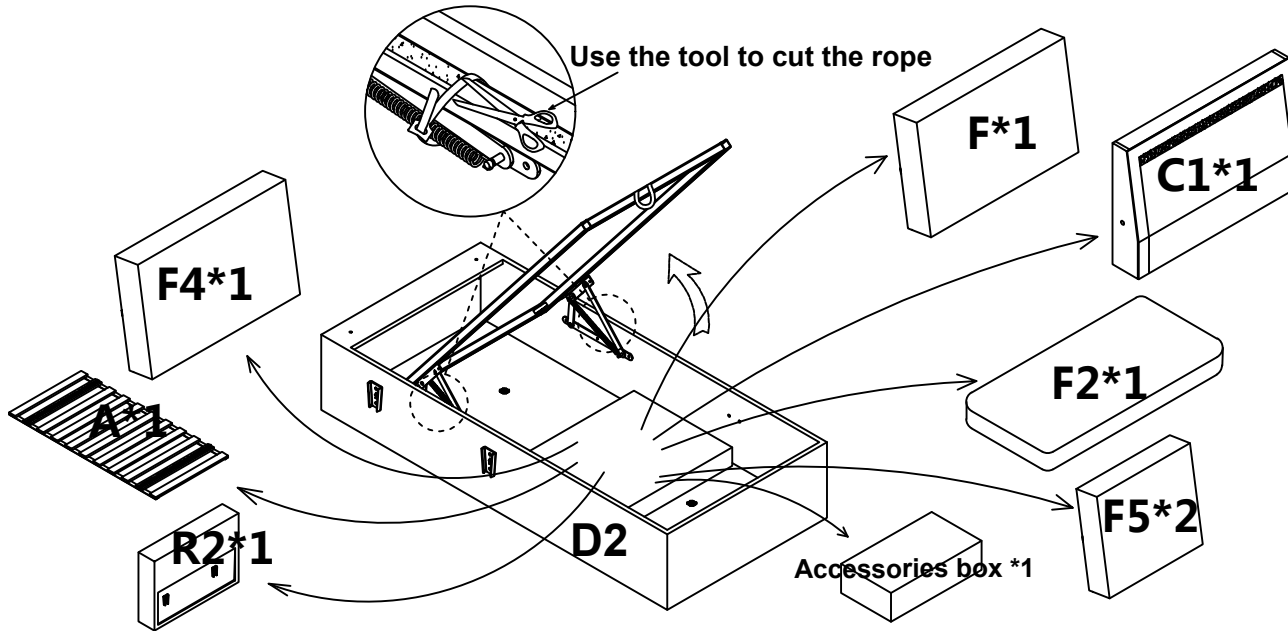
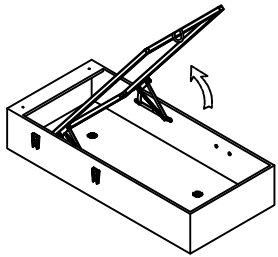
## Structural Accessories

<p><b>M</b></p>  <p>4PCS</p>	<p><b>M2</b></p>  <p>4PCS</p>	<p><b>N</b></p>  <p>M8X30mm</p> <p>4PCS</p>	<p><b>N1</b></p>  <p>M8X45mm</p> <p>2PCS</p>
<p><b>P</b></p>  <p>1PC</p>	<p><b>P1</b></p>  <p>Small</p> <p>4PCS</p>	<p><b>P2</b></p>  <p>Big</p> <p>2PCS</p>	<p><b>Z2</b></p>  <p>2PCS</p>

# STEP 1

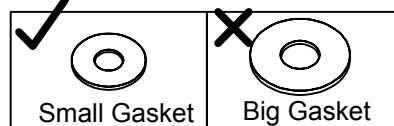
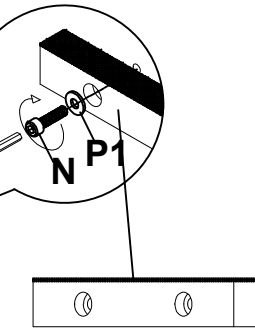
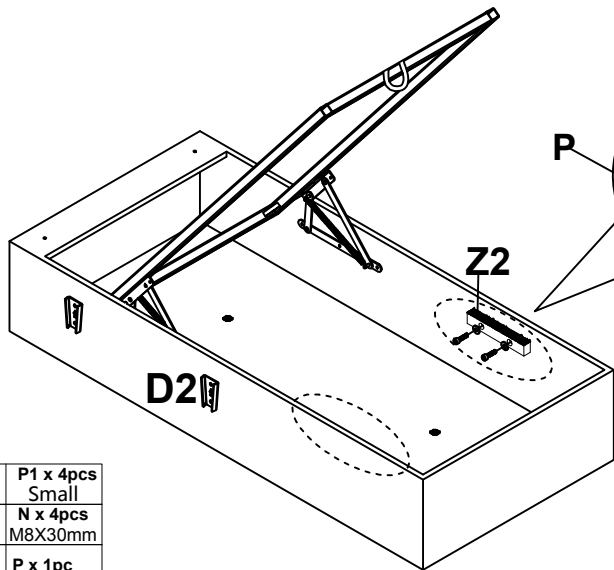





**Notice:**  
When installing the CHAISE, please be careful of the iron frame bounces up and be careful not to be injured.



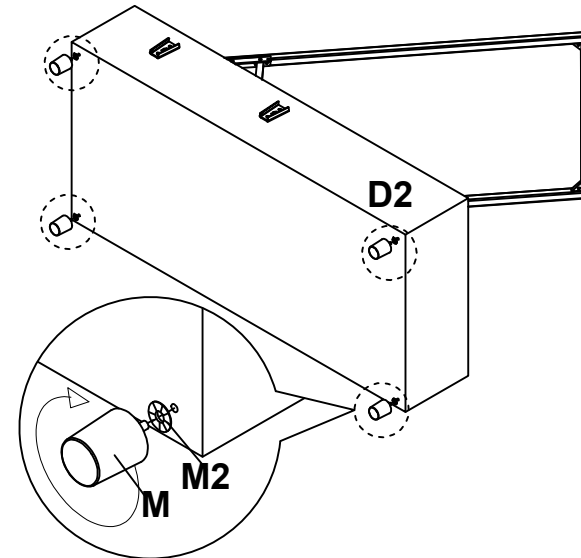
Open the Imperial Concubine Iron Rack to remove the internal parts

# STEP 2



-  P1 x 4pcs Small
-  N x 4pcs M8X30mm
-  P x 1pc

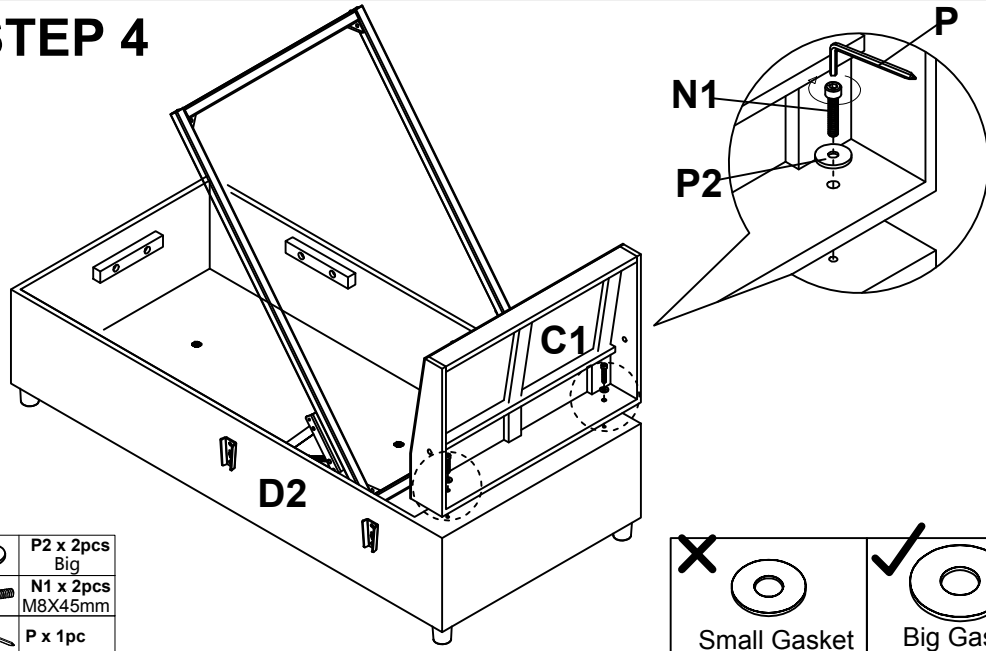
# STEP 3



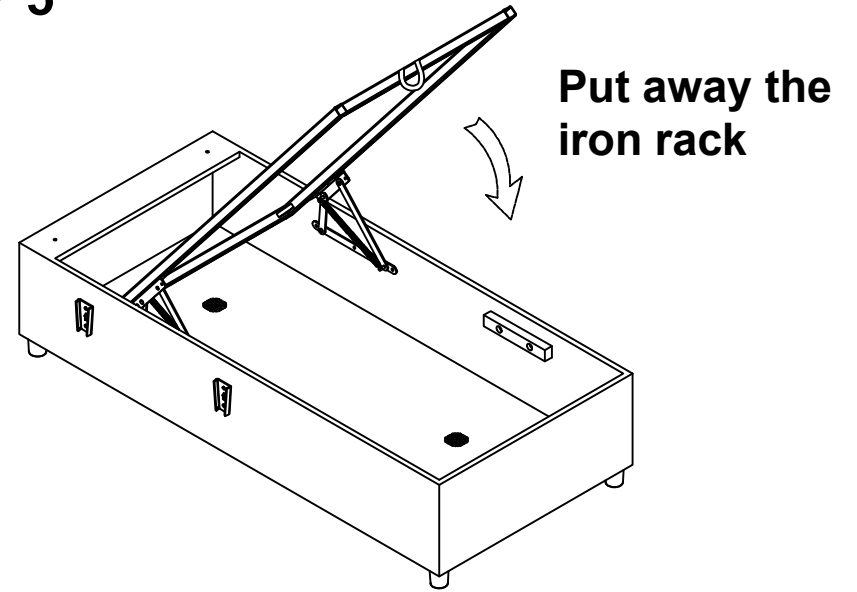
# IMPORTANT INSTALLATION NOTE:

The U-Shaped Sofa requires two installations of the Chaise section.

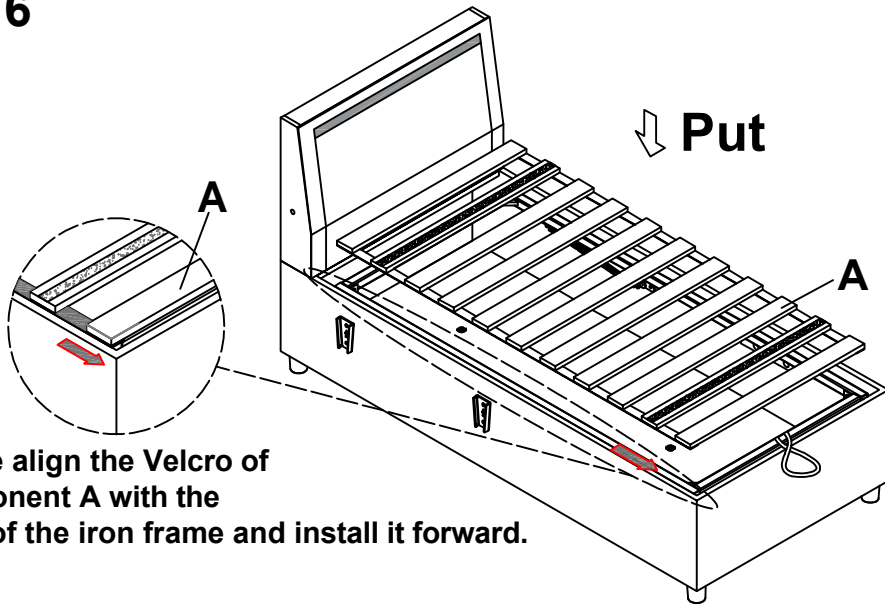
## STEP 4



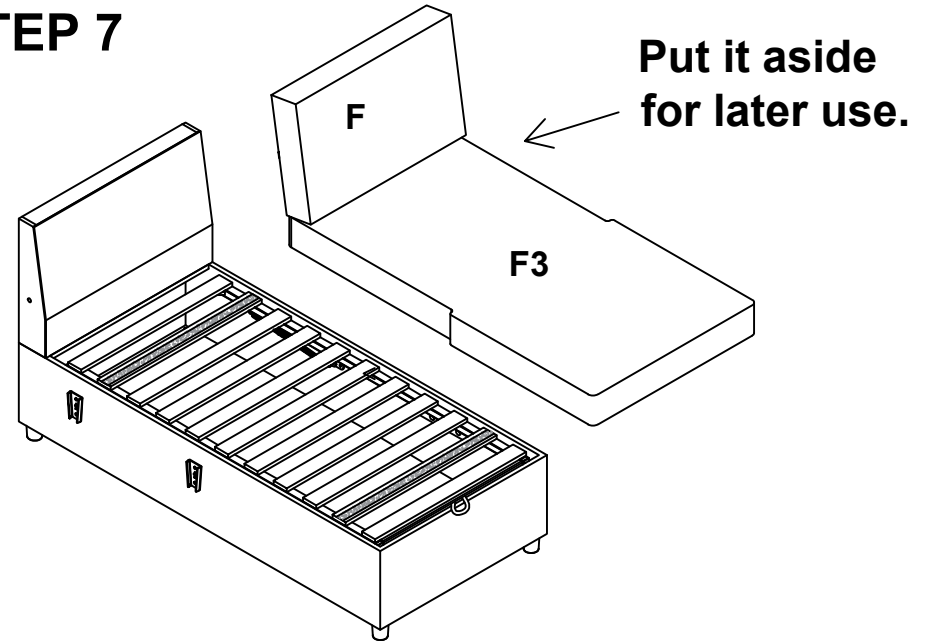
## STEP 5



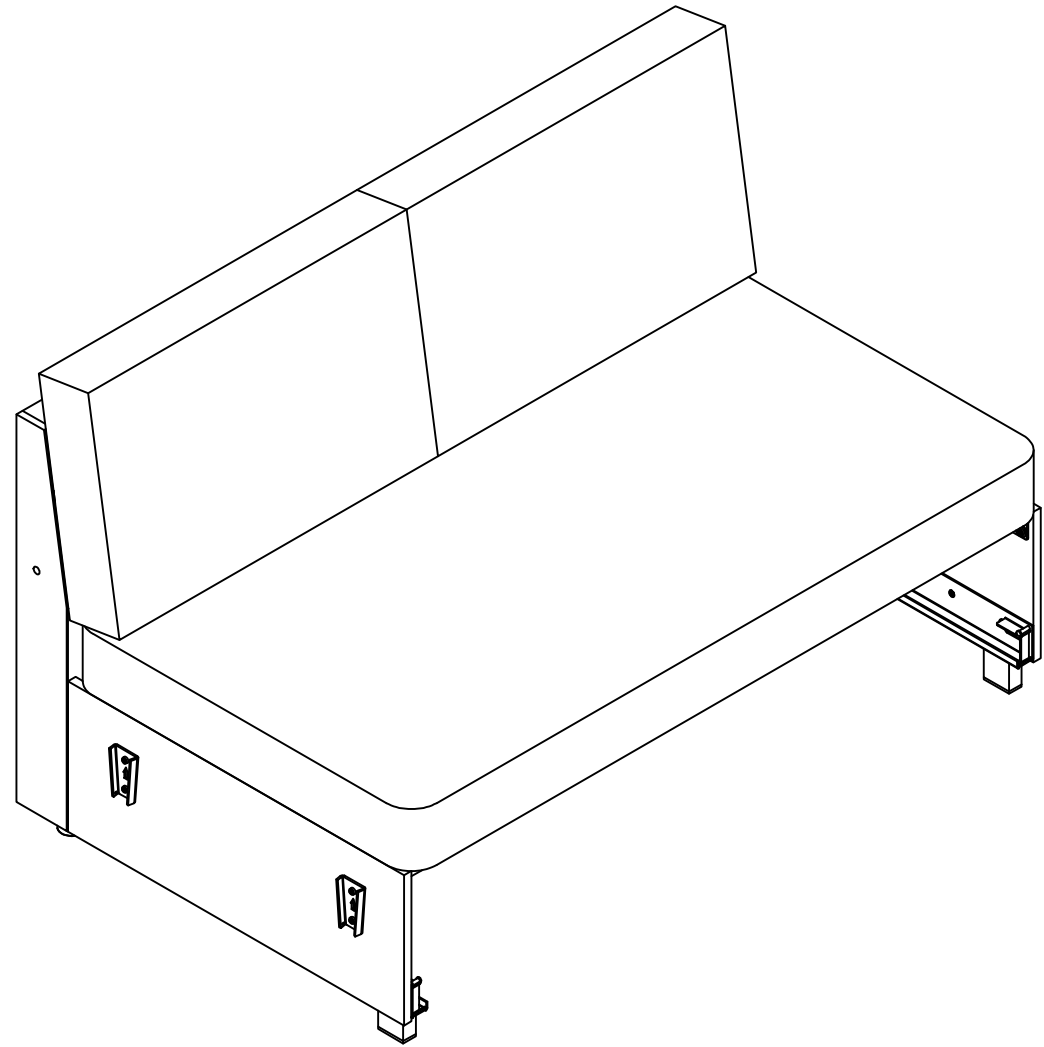
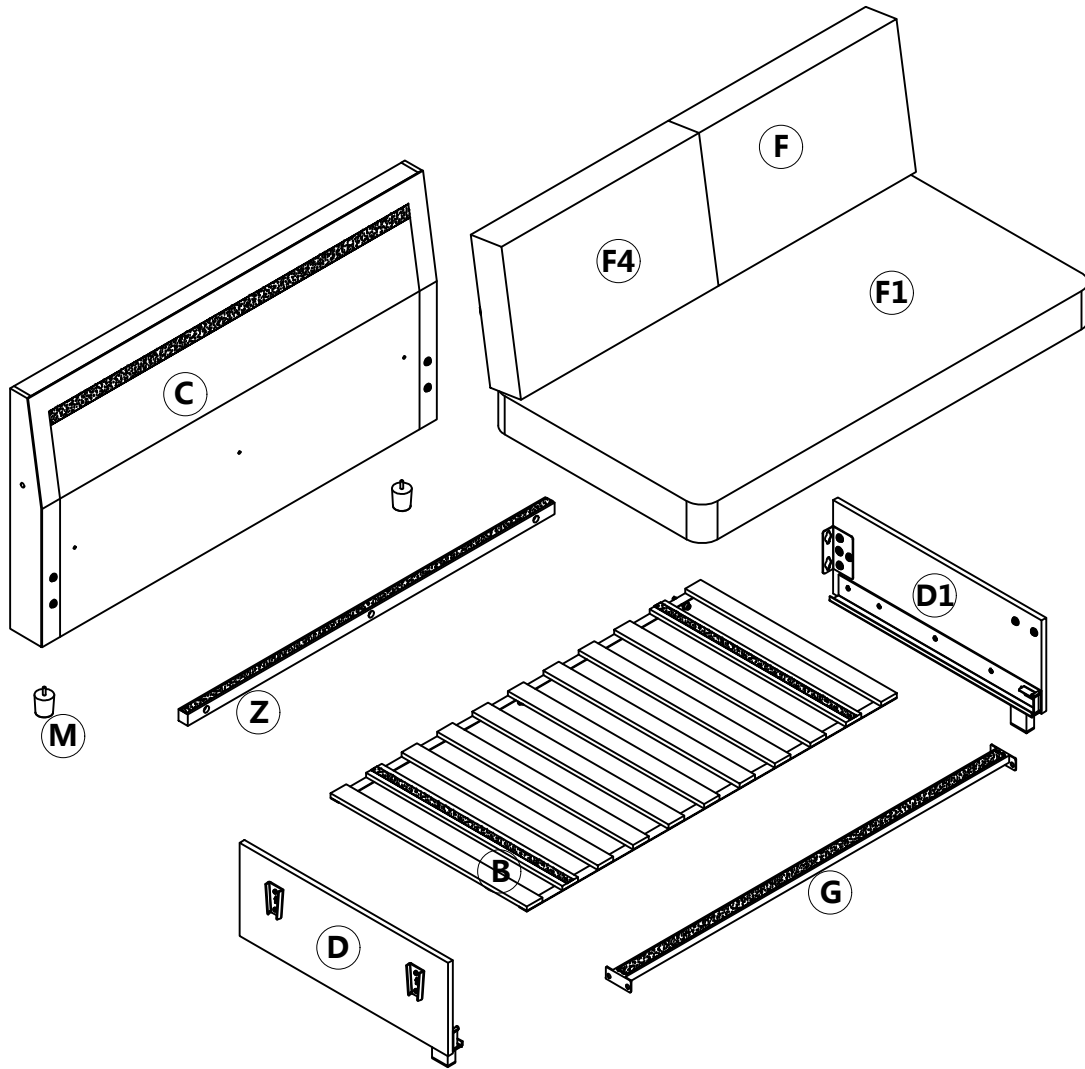
## STEP 6



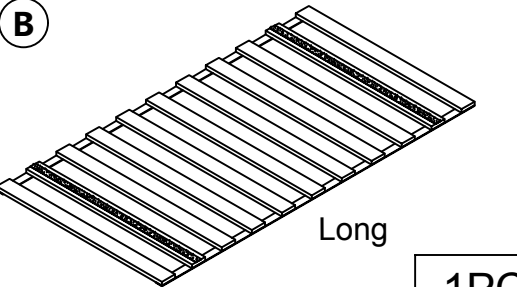
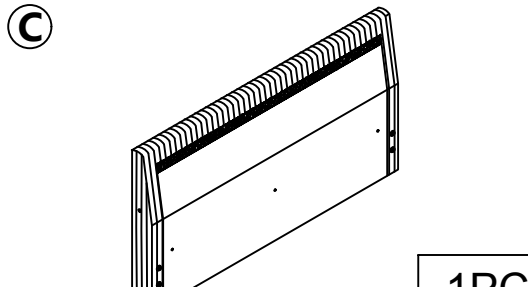
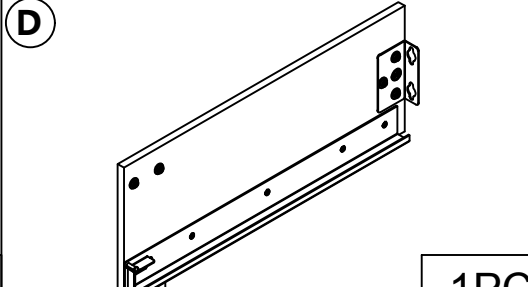
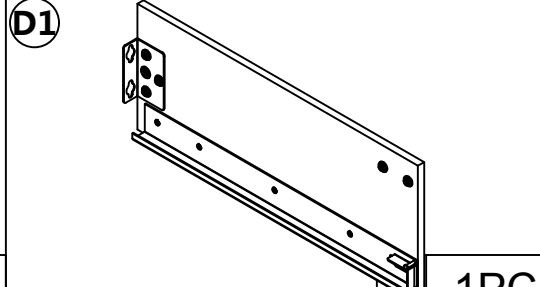
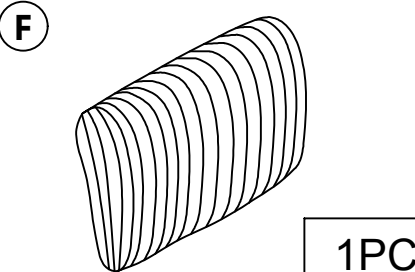
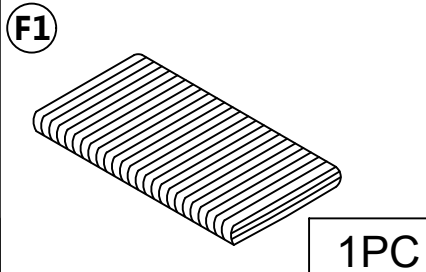
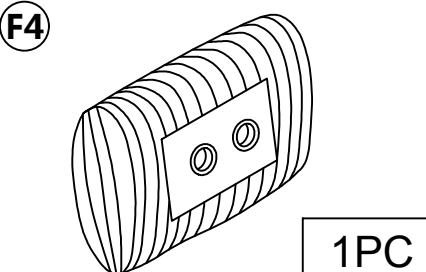
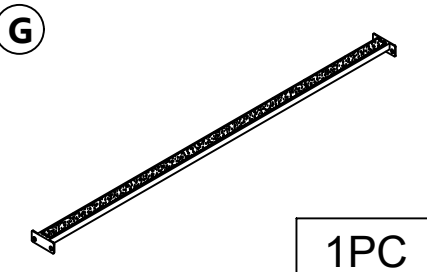
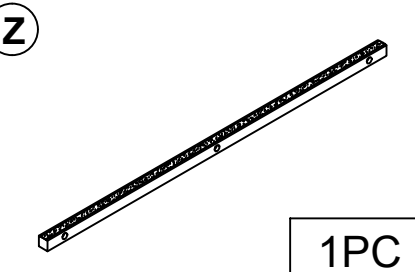
## STEP 7



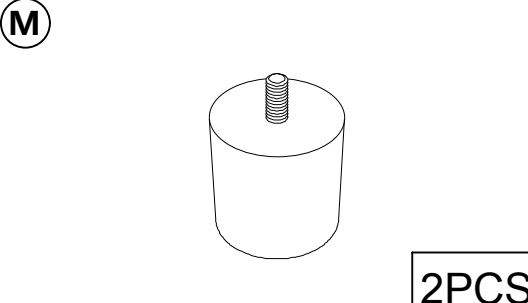
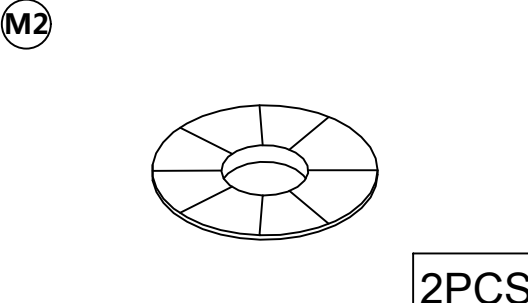
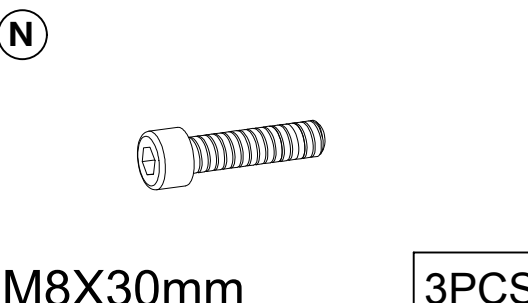
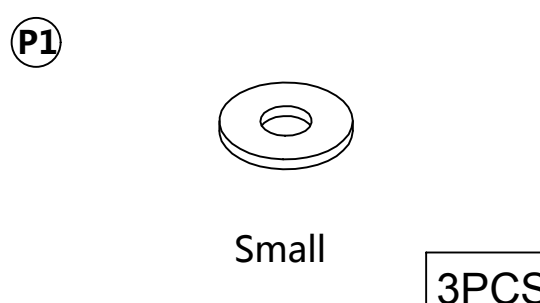
# LOVESEAT SECTION



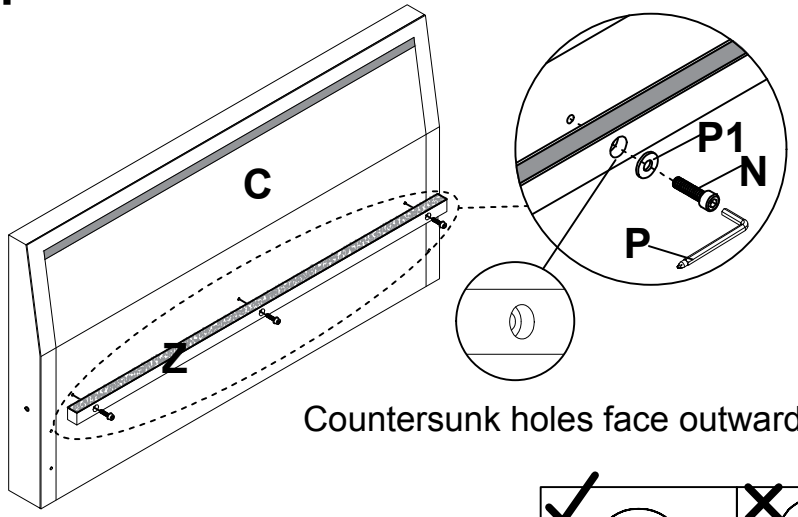
# Main Structure Accessories

<p><b>B</b></p>  <p>Long</p> <p>1PC</p>	<p><b>C</b></p>  <p>1PC</p>	<p><b>D</b></p>  <p>1PC</p>	<p><b>D1</b></p>  <p>1PC</p>	
<p><b>F</b></p>  <p>1PC</p>	<p><b>F1</b></p>  <p>1PC</p>	<p><b>F4</b></p>  <p>1PC</p>	<p><b>G</b></p>  <p>1PC</p>	<p><b>Z</b></p>  <p>1PC</p>




## Structural Accessories

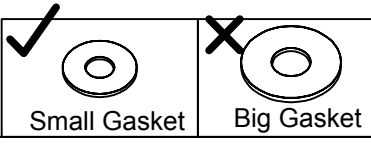
<p><b>M</b></p>  <p>2PCS</p>	<p><b>M2</b></p>  <p>2PCS</p>	<p><b>N</b></p>  <p>M8X30mm</p> <p>3PCS</p>	<p><b>P1</b></p>  <p>Small</p> <p>3PCS</p>

# STEP 1

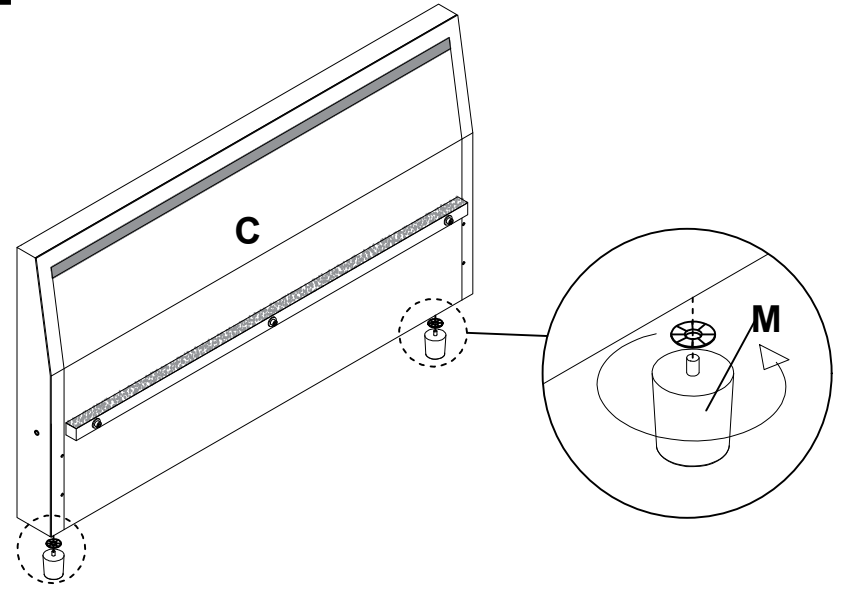


Countersunk holes face outward.

-  P1 x 3pcs  
Small
-  N x 3pcs  
M8X30mm
-  P x 1pc

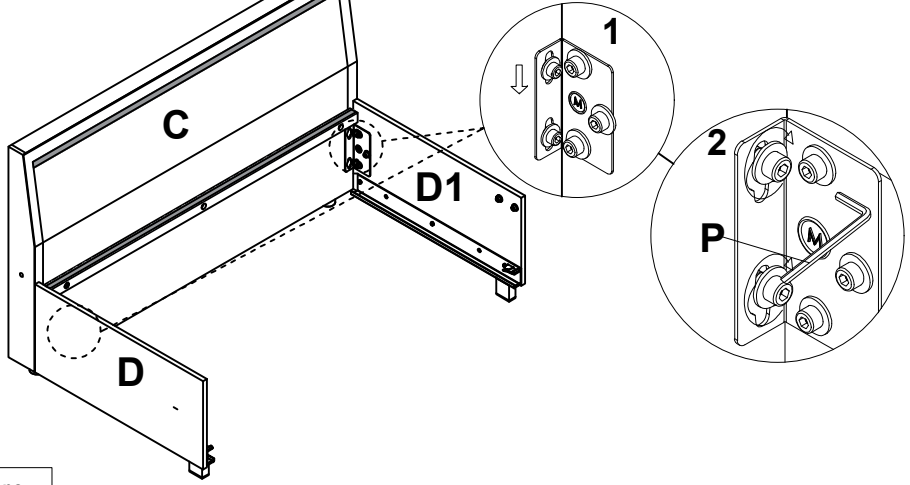


# STEP 2



# STEP 3

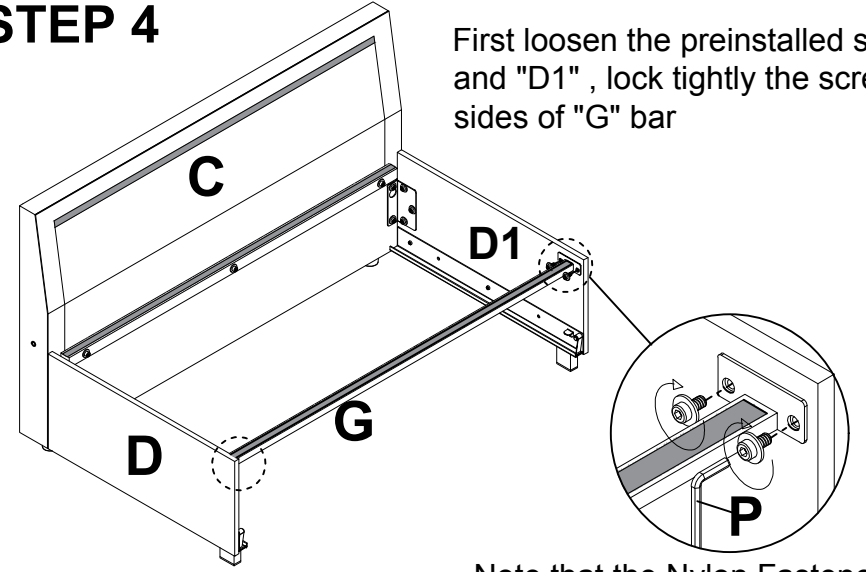
First loosen the screw 50%, then hang the side plate, and then tighten the screw again




-  P x 1pc

# STEP 4

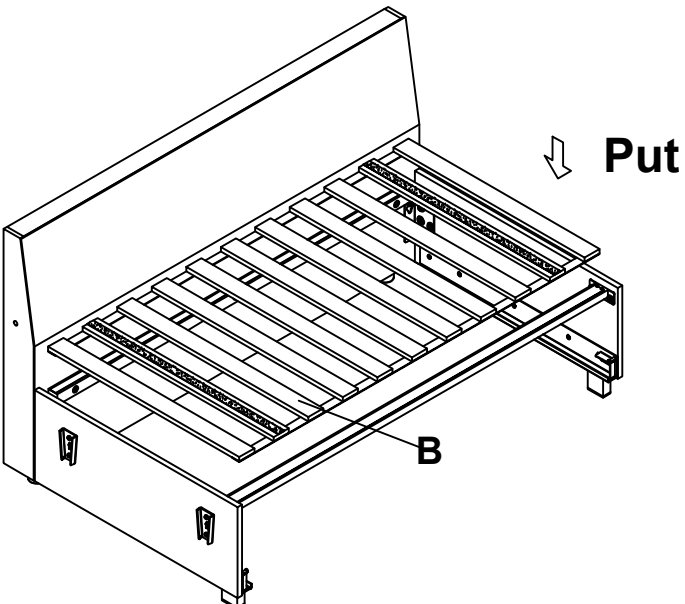
First loosen the preinstalled screws of "D" and "D1", lock tightly the screws on both sides of "G" bar



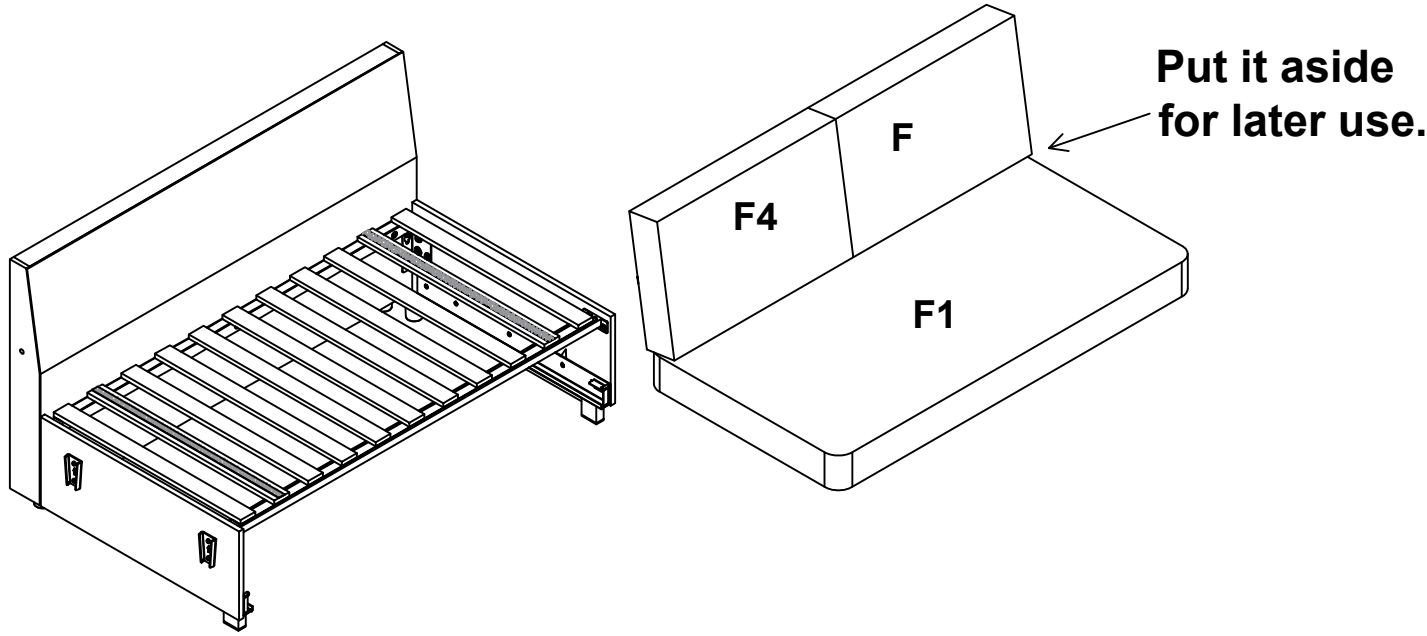
Note that the Nylon Fastener is facing upwards

-  P x 1pc

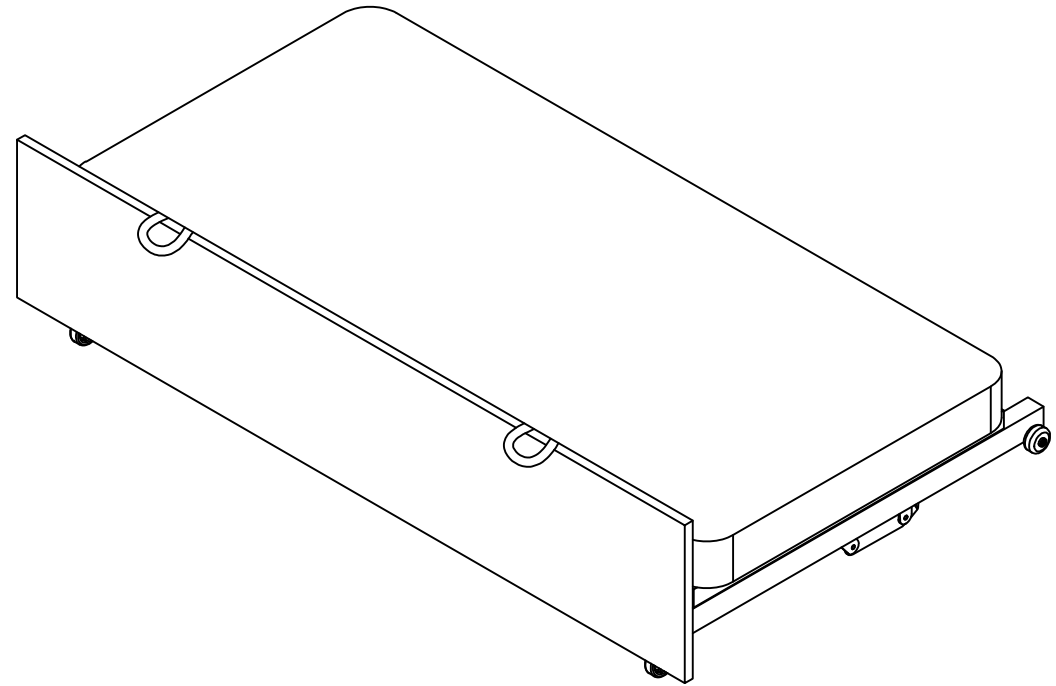
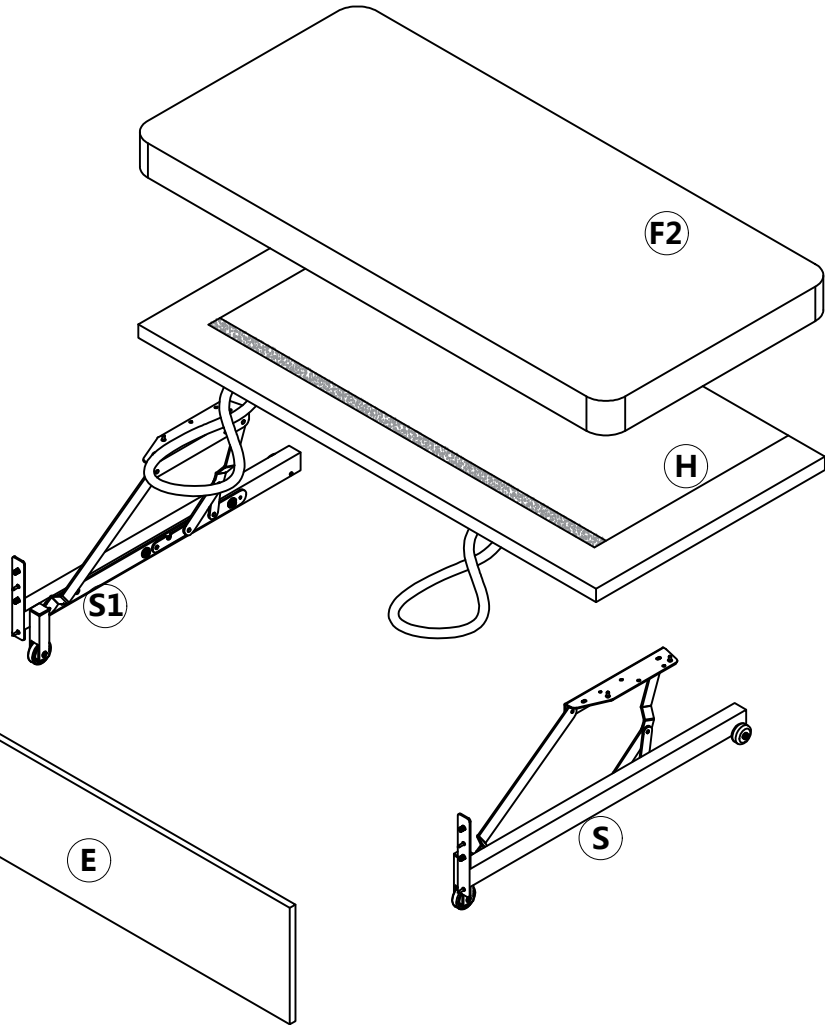
**STEP 5**



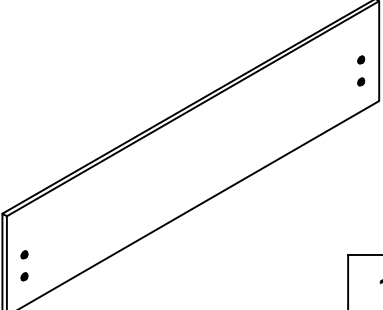
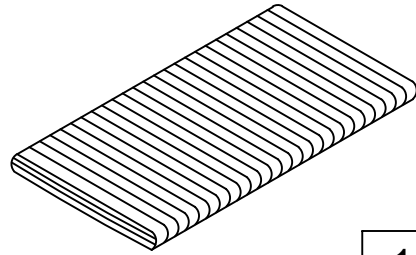
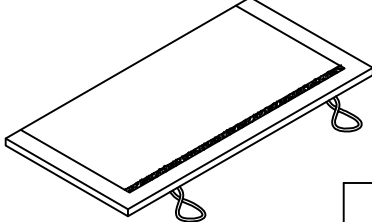
**STEP 6**



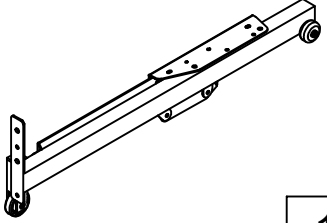
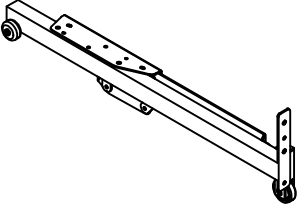
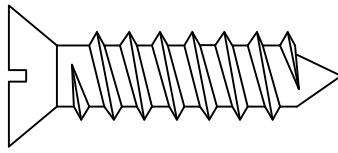
# PULL-OUT SECTION



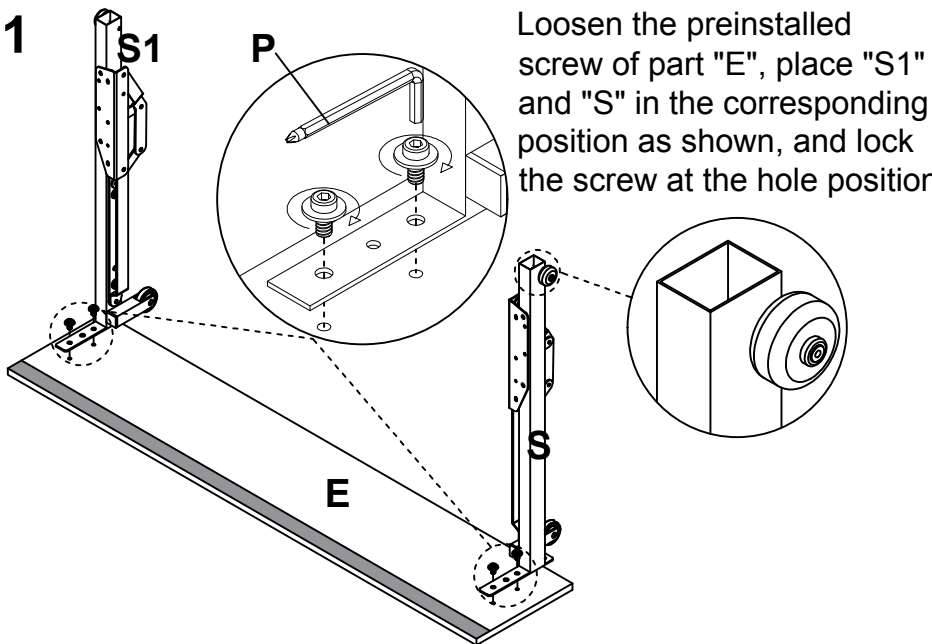
# Main Structure Accessories

<p><b>E</b></p>  <p>1PC</p>	<p><b>F2</b></p>  <p>1PC</p>	<p><b>H</b></p>  <p>1PC</p>	

## Structural Accessories

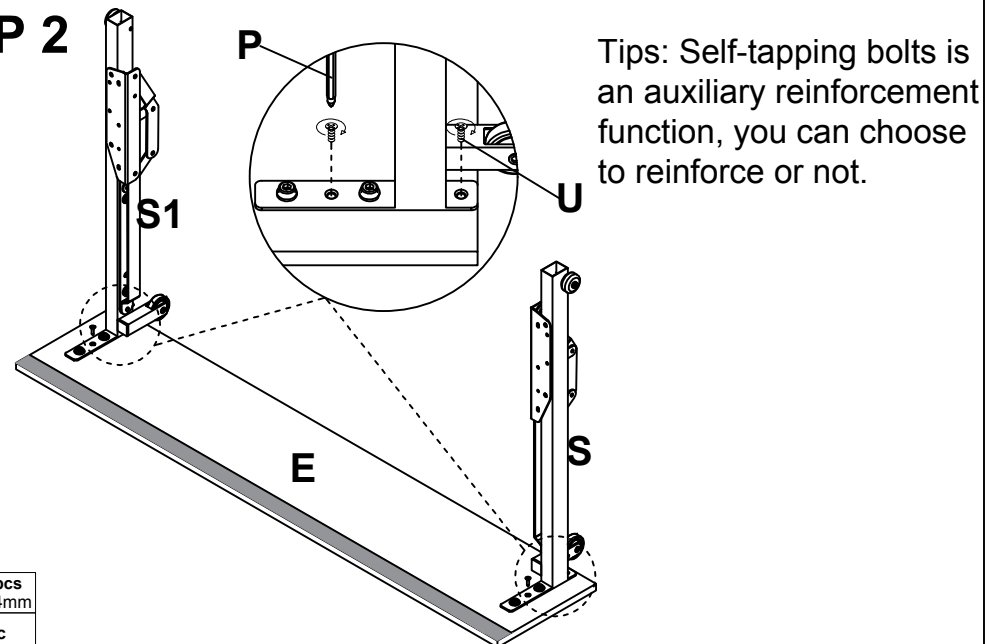
<p><b>S</b></p>  <p>1PC</p>	<p><b>S1</b></p>  <p>1PC</p>	<p><b>U</b></p>  <p>4PCS</p>	

### STEP 1



P x 1pc

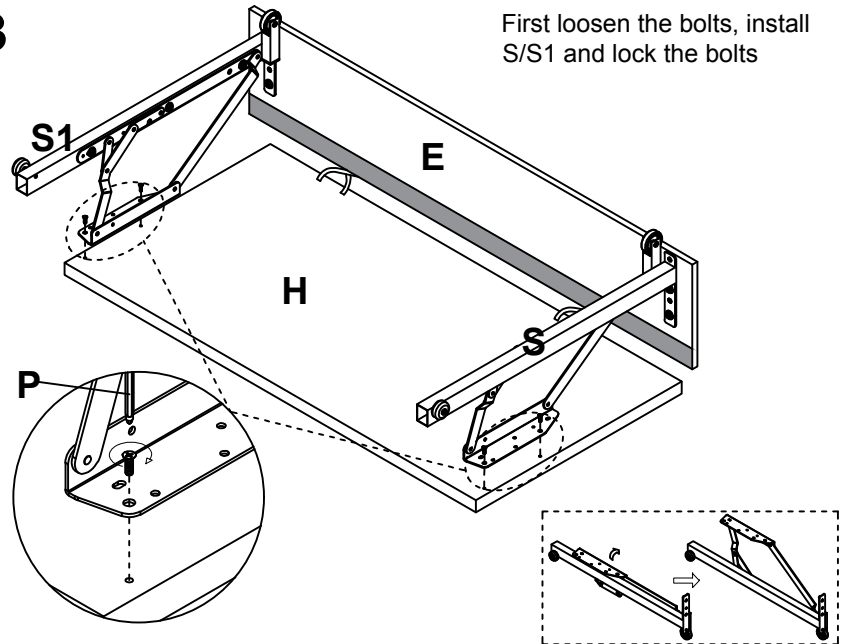
### STEP 2



U x 4pcs  
M5X14mm

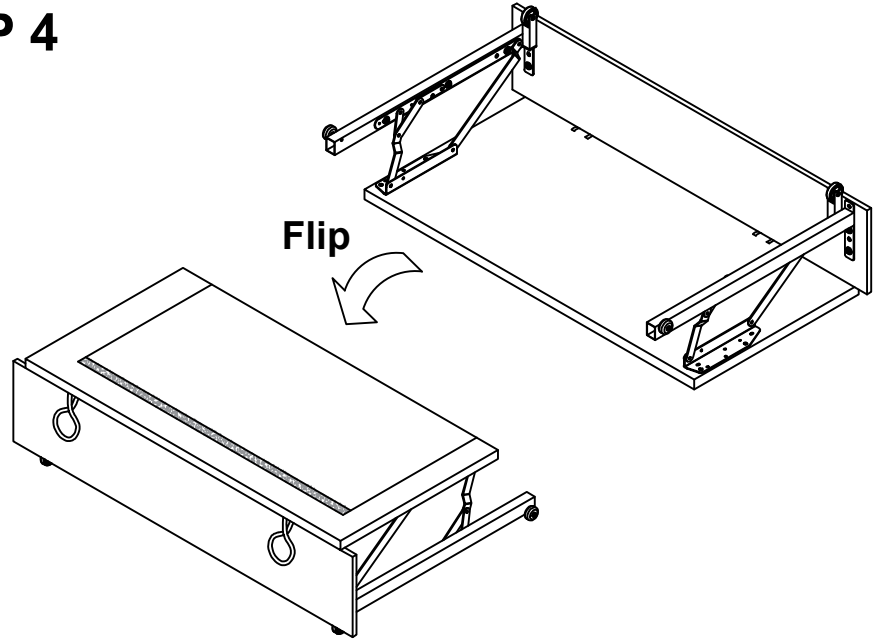
P x 1pc

### STEP 3

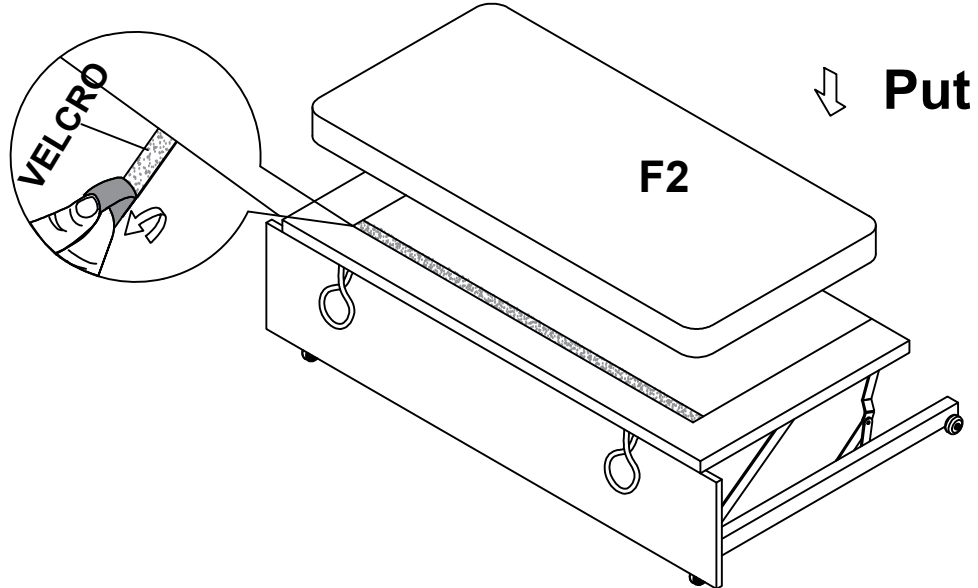


P x 1pc

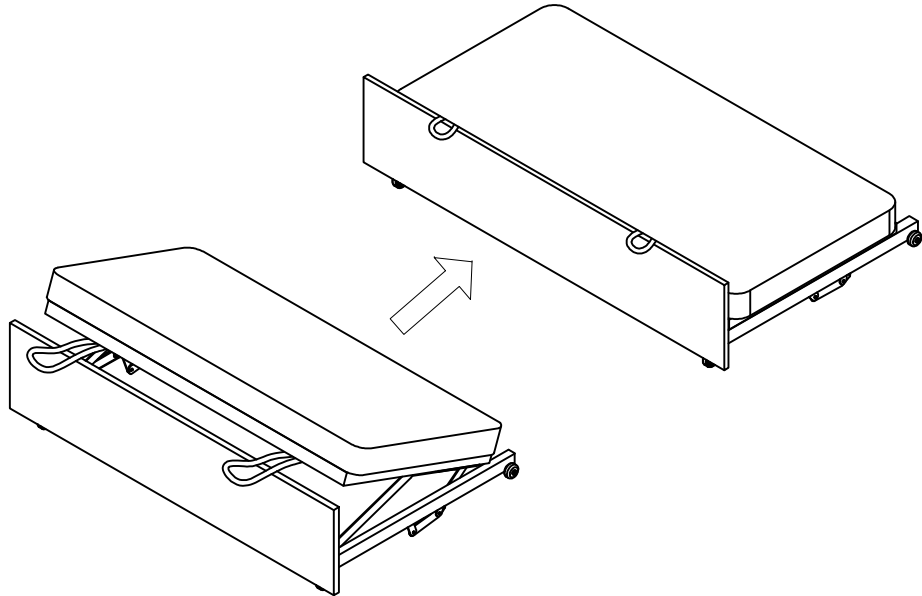
### STEP 4



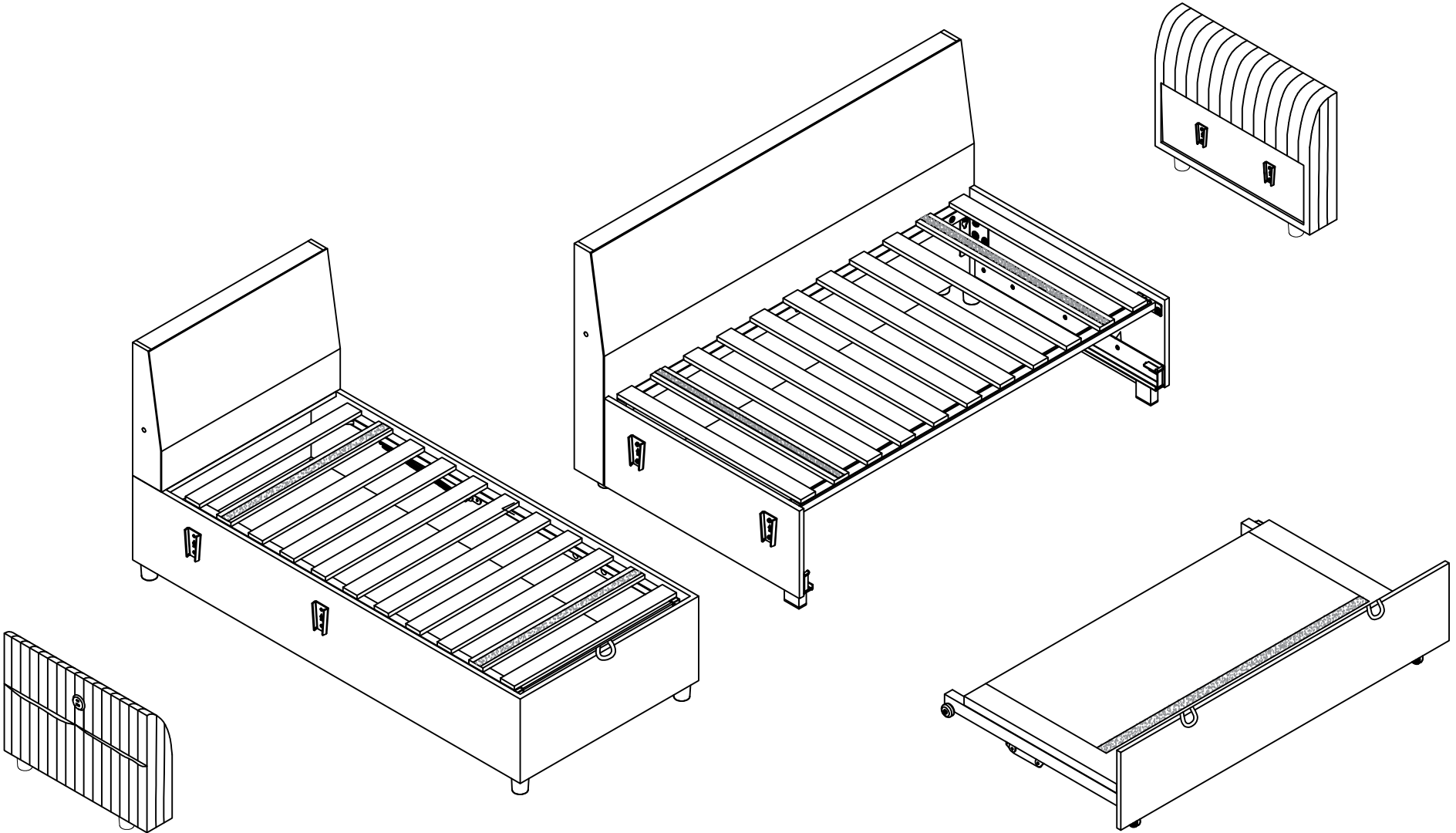
**STEP 5**



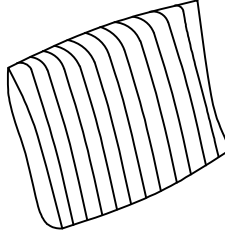
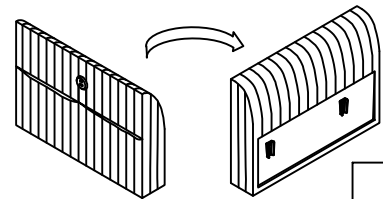
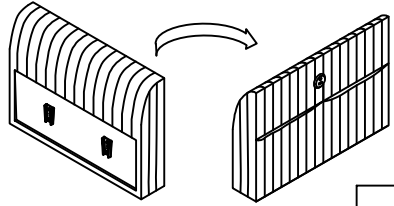
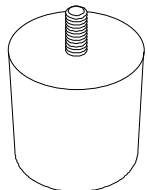
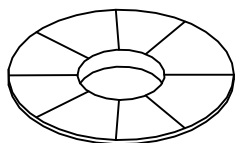
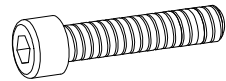
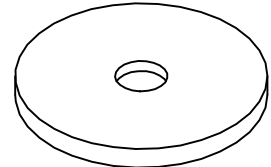
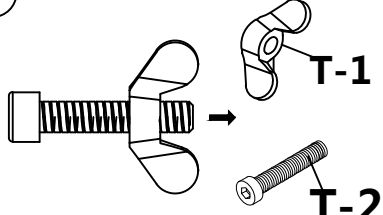
**STEP 6**

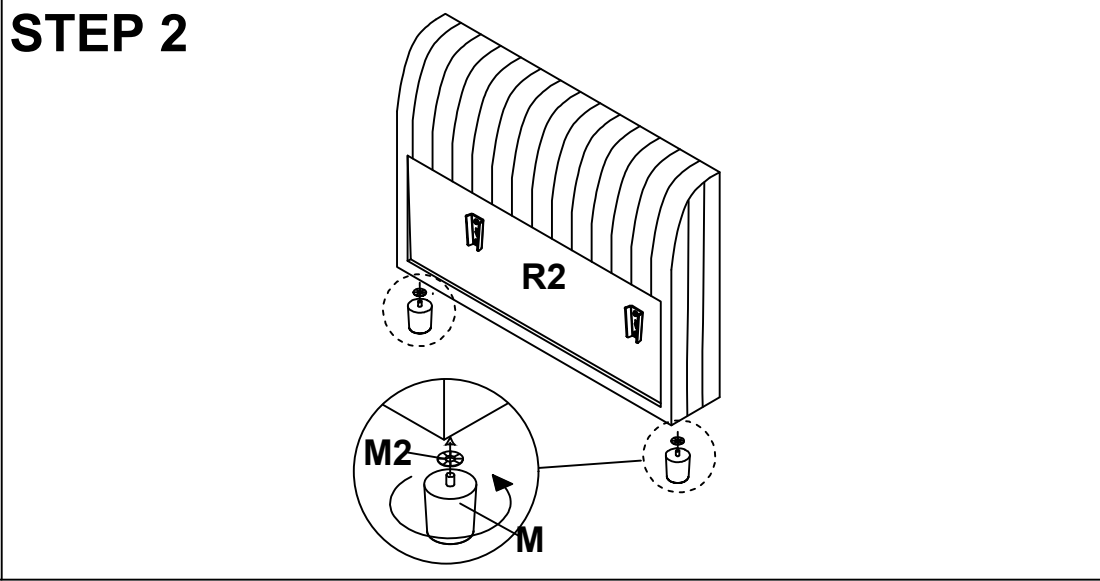
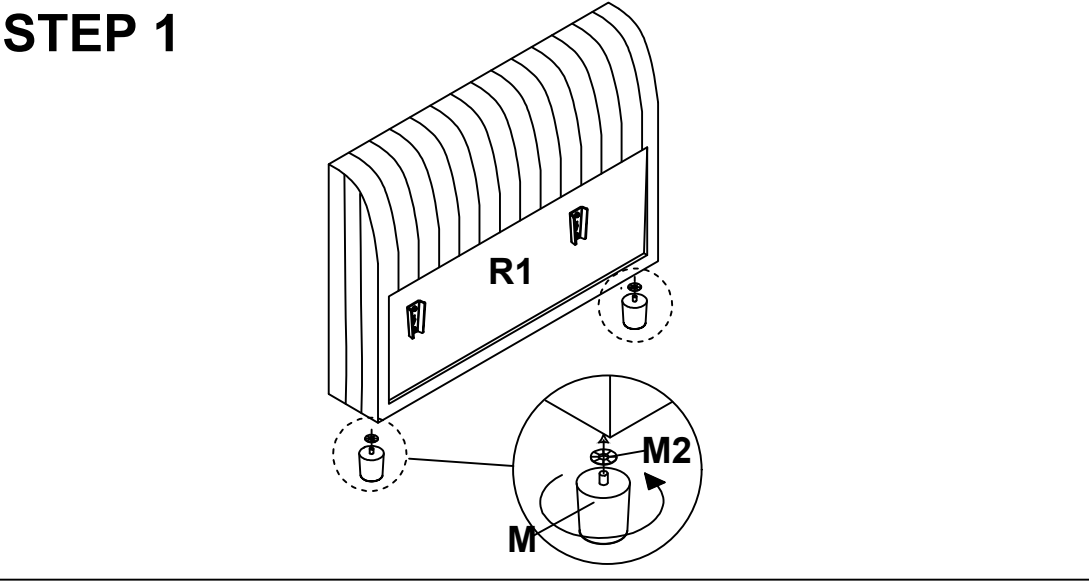


# How to Connect Chaise, Loveseat & Pull-Out Bed for L-Shaped Sofa



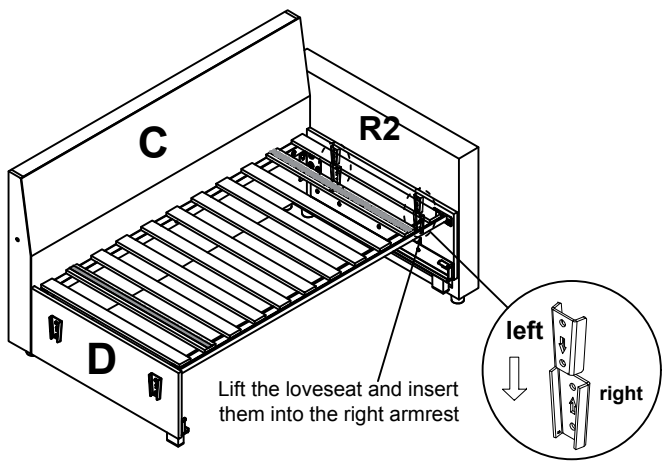
# Main Structure Accessories

<p><b>F5</b></p>  <p>2PCS</p>	<p><b>R1</b></p>  <p>1PC</p>	<p><b>R2</b></p>  <p>1PC</p>	<p><b>M</b></p>  <p>4PCS</p>
<p><b>M2</b></p>  <p>4PCS</p>	<p><b>N1</b></p>  <p>M8X45mm</p> <p>2PCS</p>	<p><b>P2</b></p>  <p>Big</p> <p>4PCS</p>	<p><b>T</b></p>  <p>T-1</p> <p>T-2</p> <p>M8X50mm</p> <p>1PC</p>

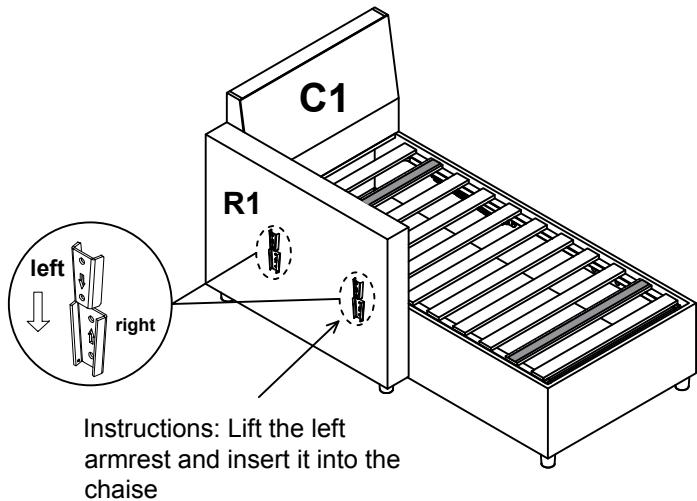


# Configuration A: When the Chaise is on the Left Side

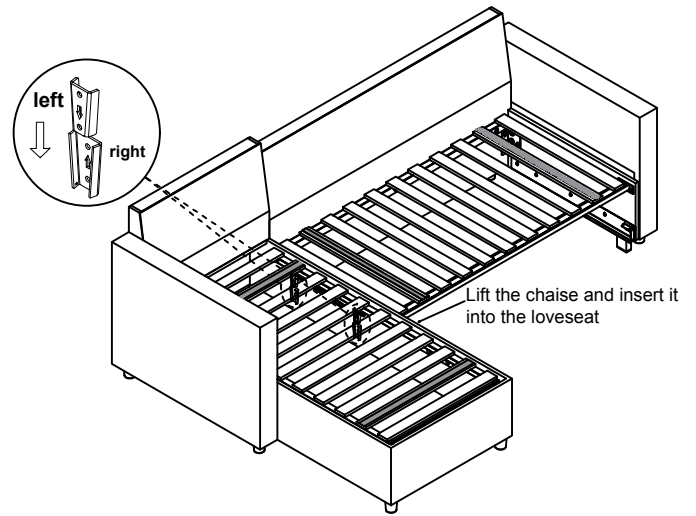
## STEP 1



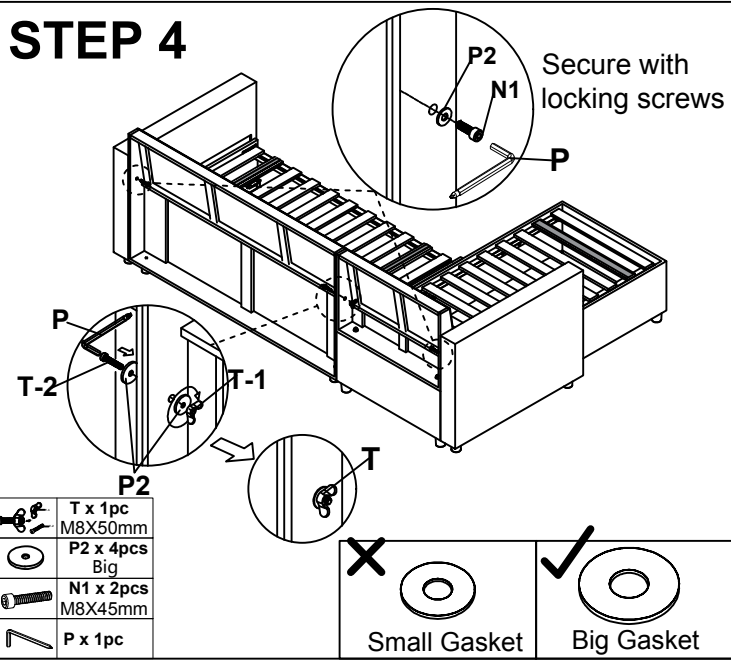
## STEP 2



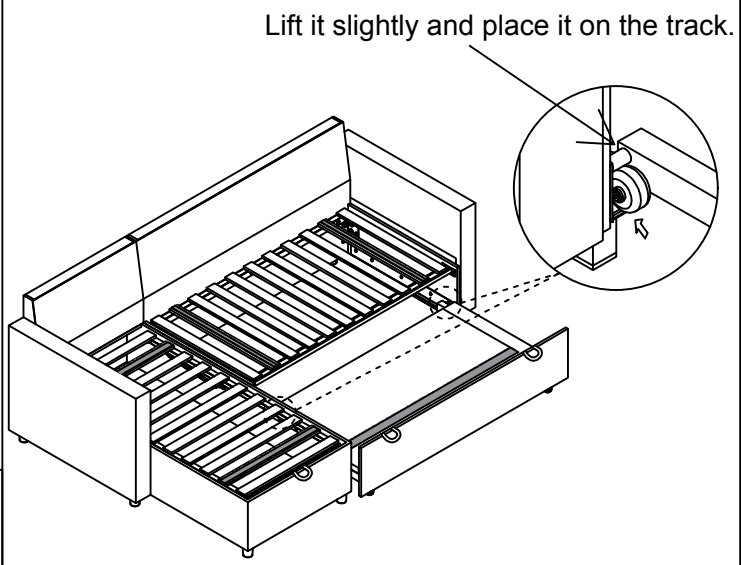
## STEP 3



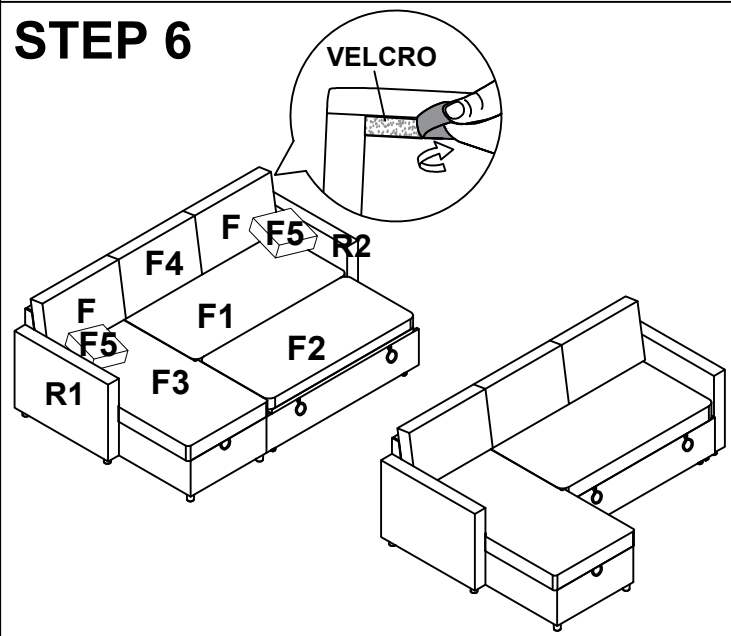
## STEP 4



## STEP 5



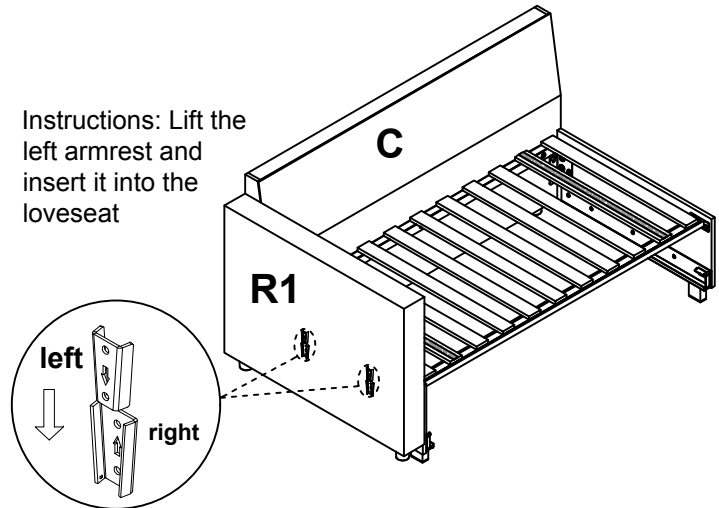
## STEP 6



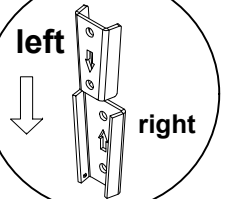
# Configuration B: When the Chaise is on the Right Side

## STEP 1

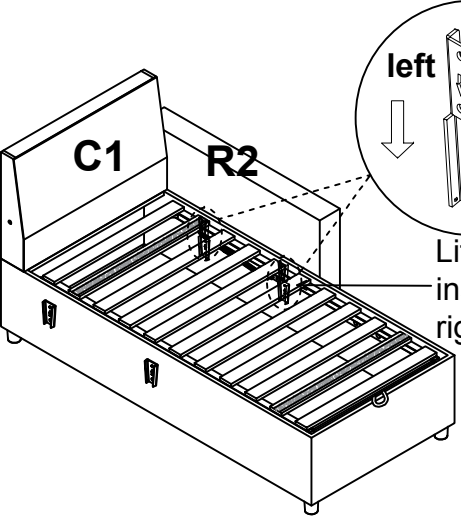
Instructions: Lift the left armrest and insert it into the loveseat



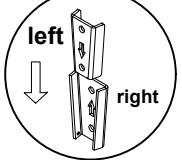
## STEP 2



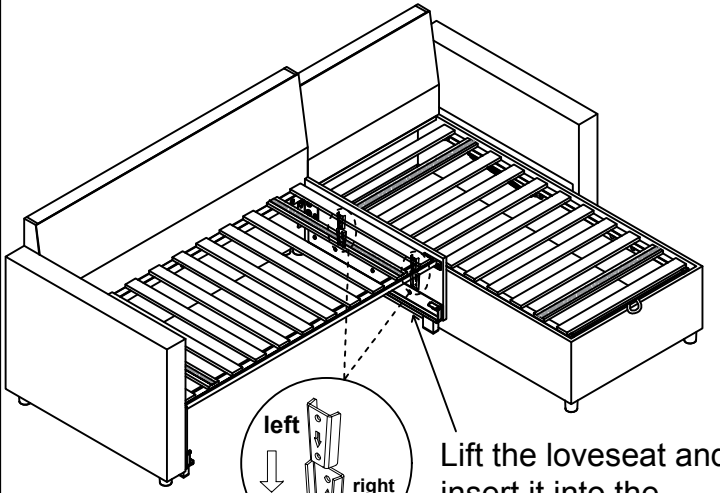
Lift the chaise and insert it into the right armrest



## STEP 3

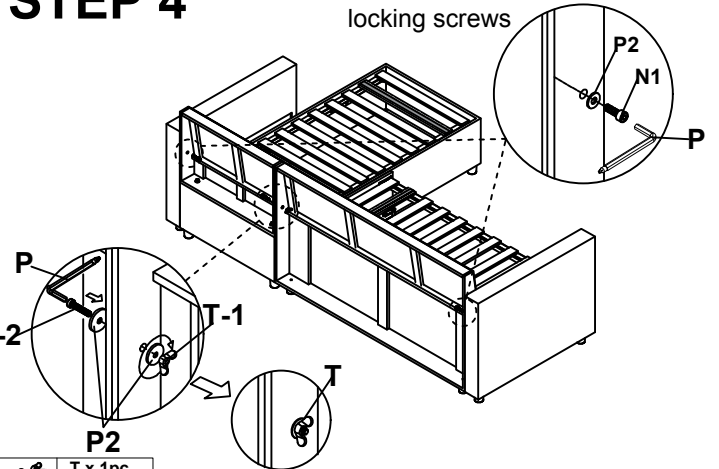


Lift the loveseat and insert it into the chaise

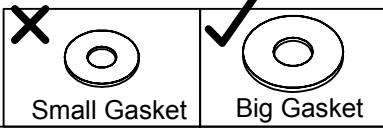


## STEP 4

Secure with locking screws

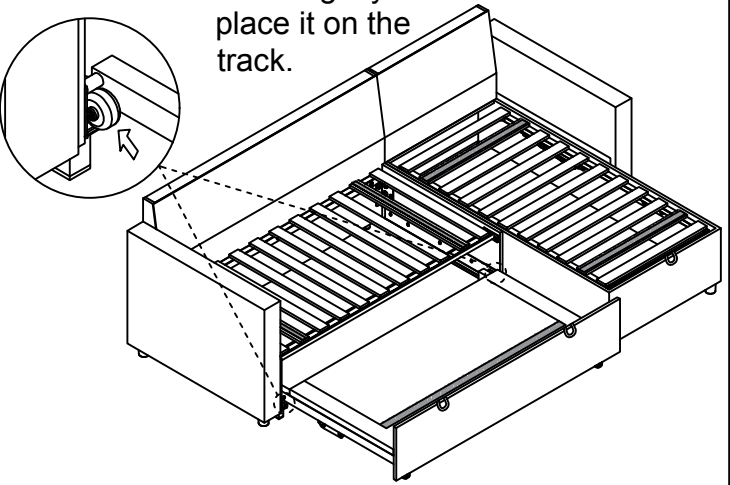
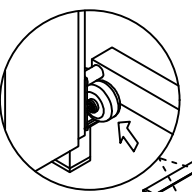


- T x 1pc M8X50mm
- P2 x 4pcs Big
- N1 x 2pcs M8X45mm
- P x 1pc



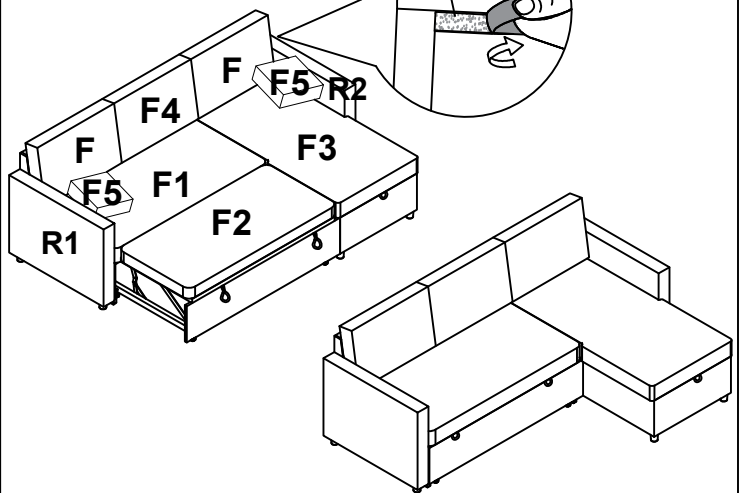
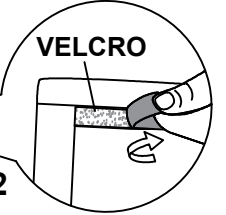
## STEP 5

Lift it slightly and place it on the track.



## STEP 6

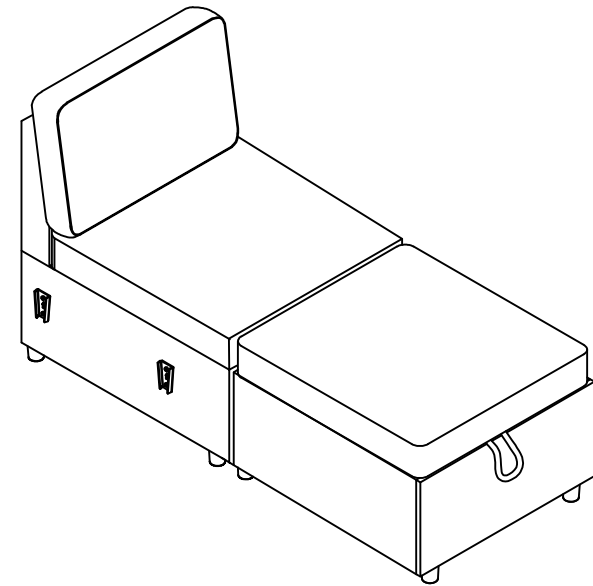
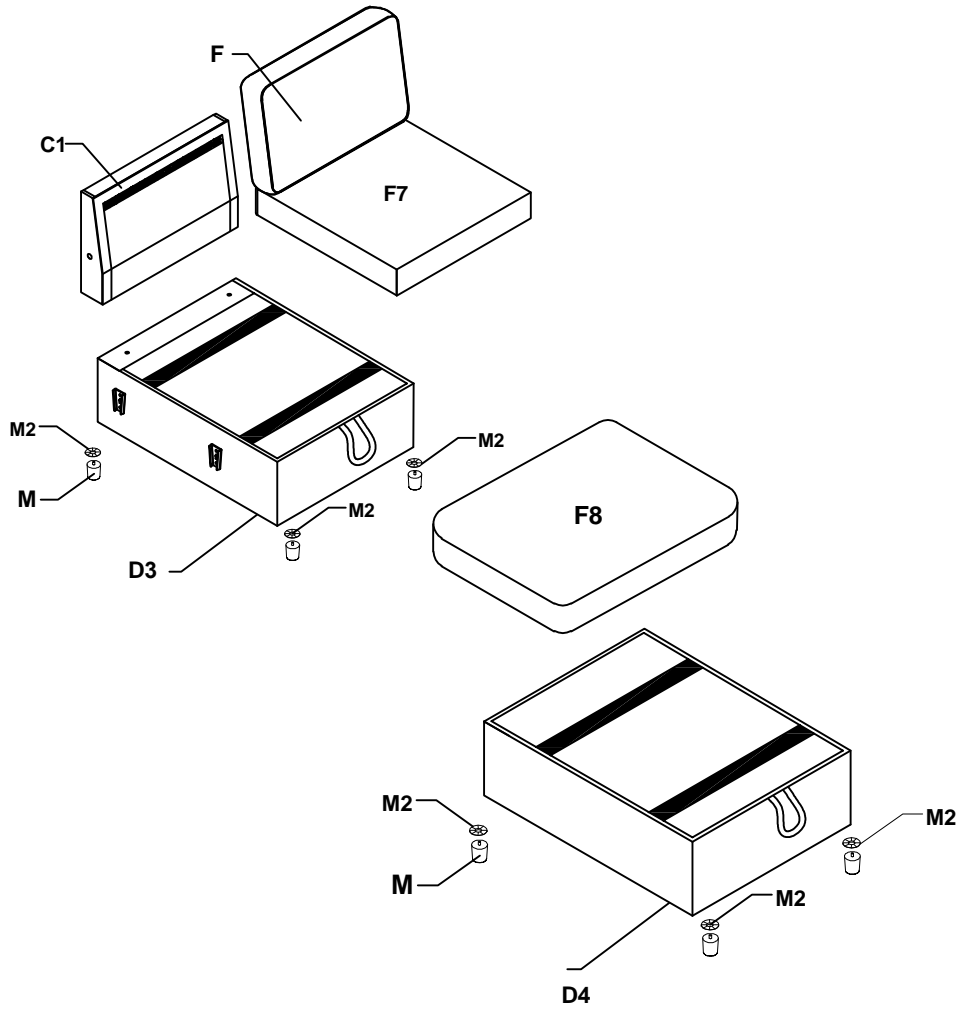
VELCRO



# IMPORTANT INSTALLATION NOTE:

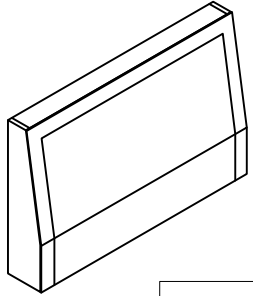
The U-Shaped Sofa requires two installations of the Chaise section.

## CHAISE SECTION



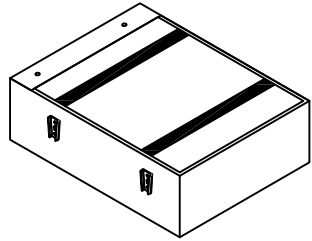
# Main Structure Accessories

C1



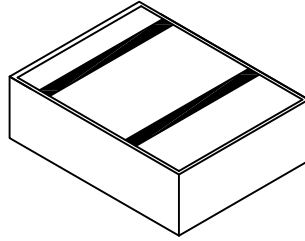
1PC

D3



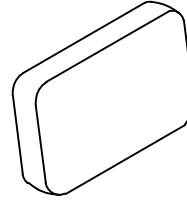
1PC

D4



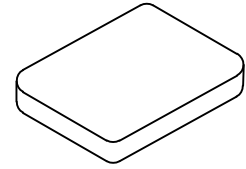
1PC

F



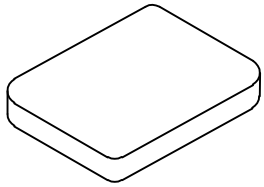
2PCS

F7



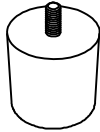
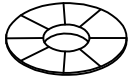

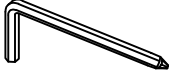

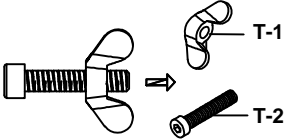
1PC

F8



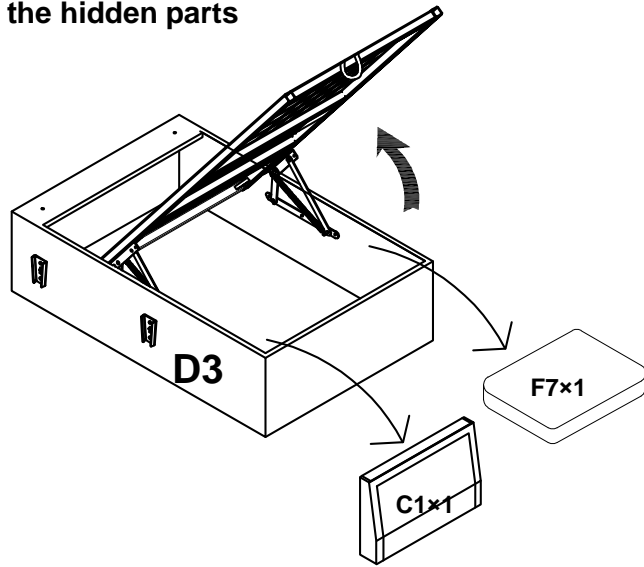
1PC

# Structural Accessories

<p>(M)</p> 	<p>(M2)</p> 	<p>(N1)</p> 	<p>(P)</p> 	<p>(P2)</p>  <p>Big</p>	<p>(T)</p>  <p>T-1 T-2</p>			
<p>8PCS</p>	<p>8PCS</p>	<p>M8×45mm</p>	<p>2PCS</p>	<p>M8</p>	<p>1PC</p>	<p>2PCS</p>	<p>M8×50mm</p>	<p>1SET</p>

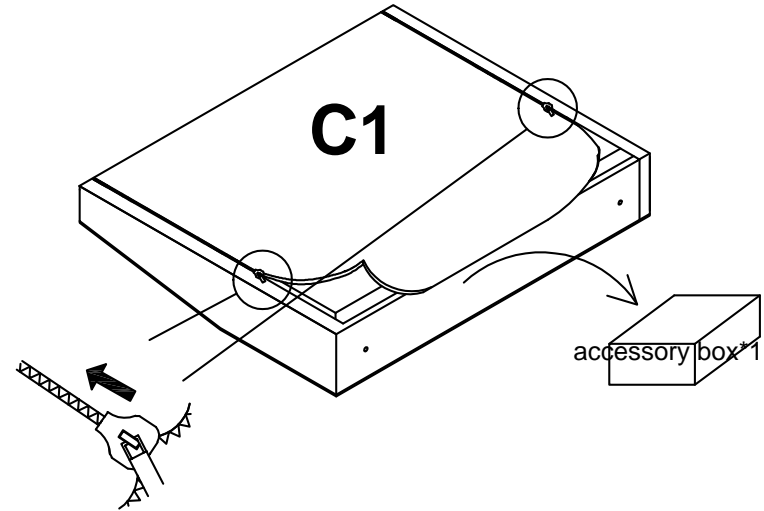
### STEP 1

How to find out the hidden parts

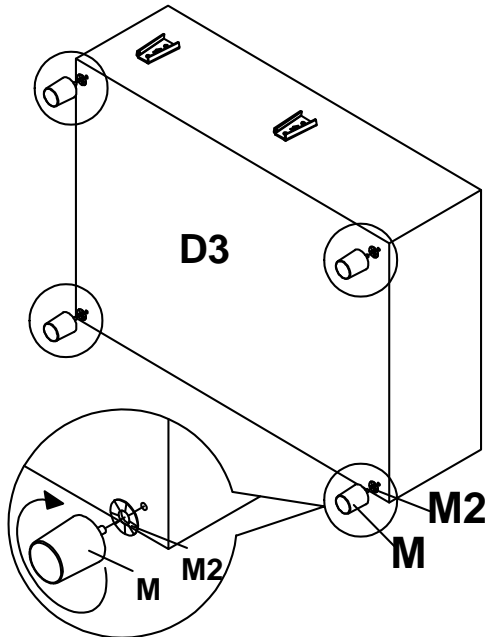


### STEP 2

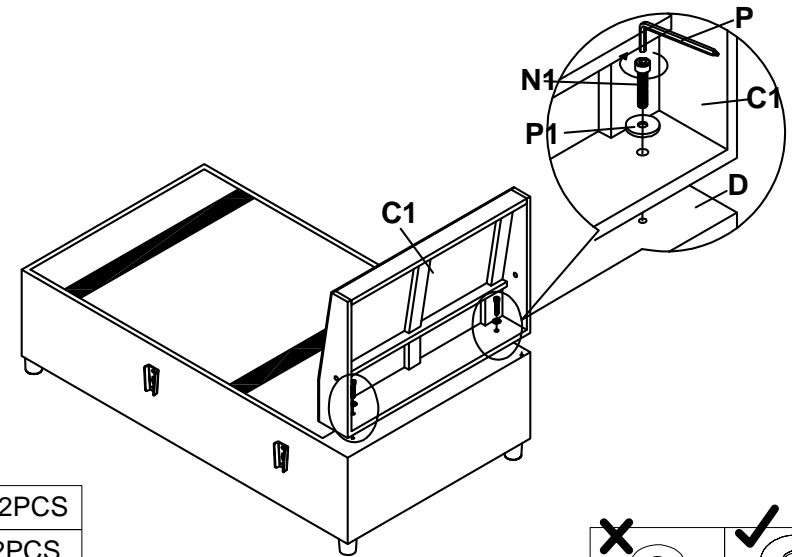
Please take out the A from the back of C1.



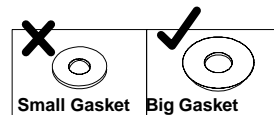
### STEP 3



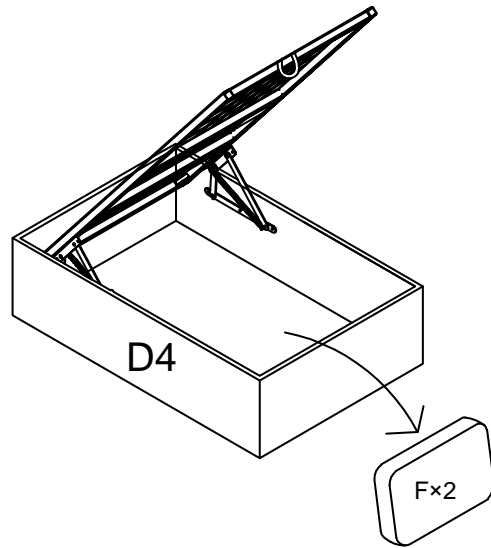
### STEP 4



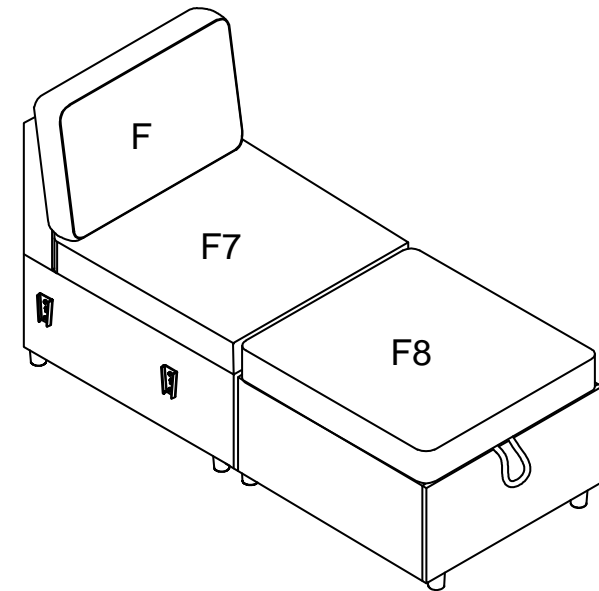
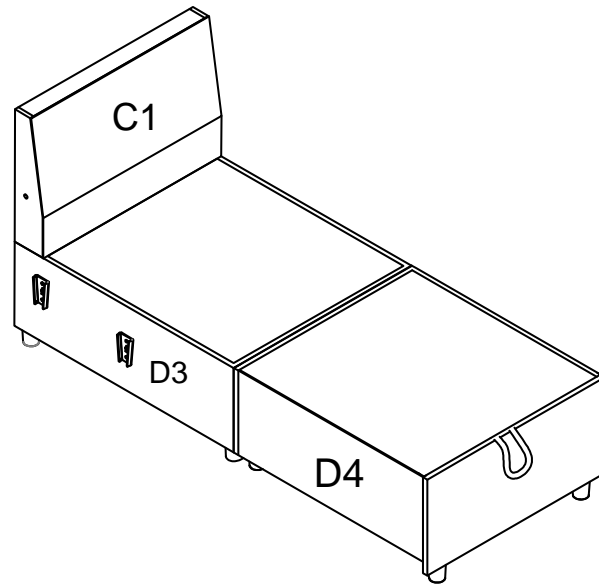
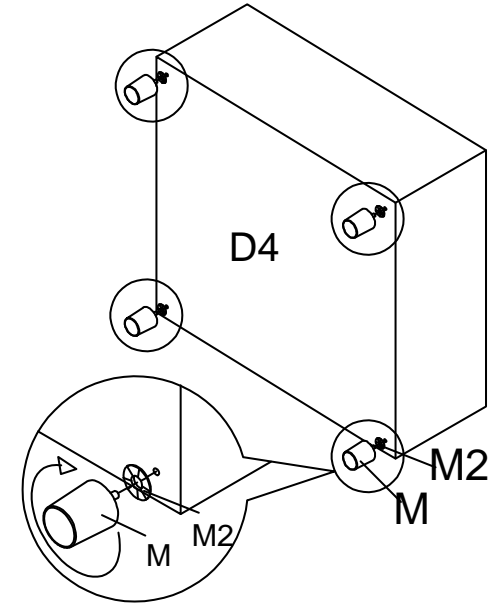
	N1 x 2PCS
	P1 x 2PCS
	P x 1PC



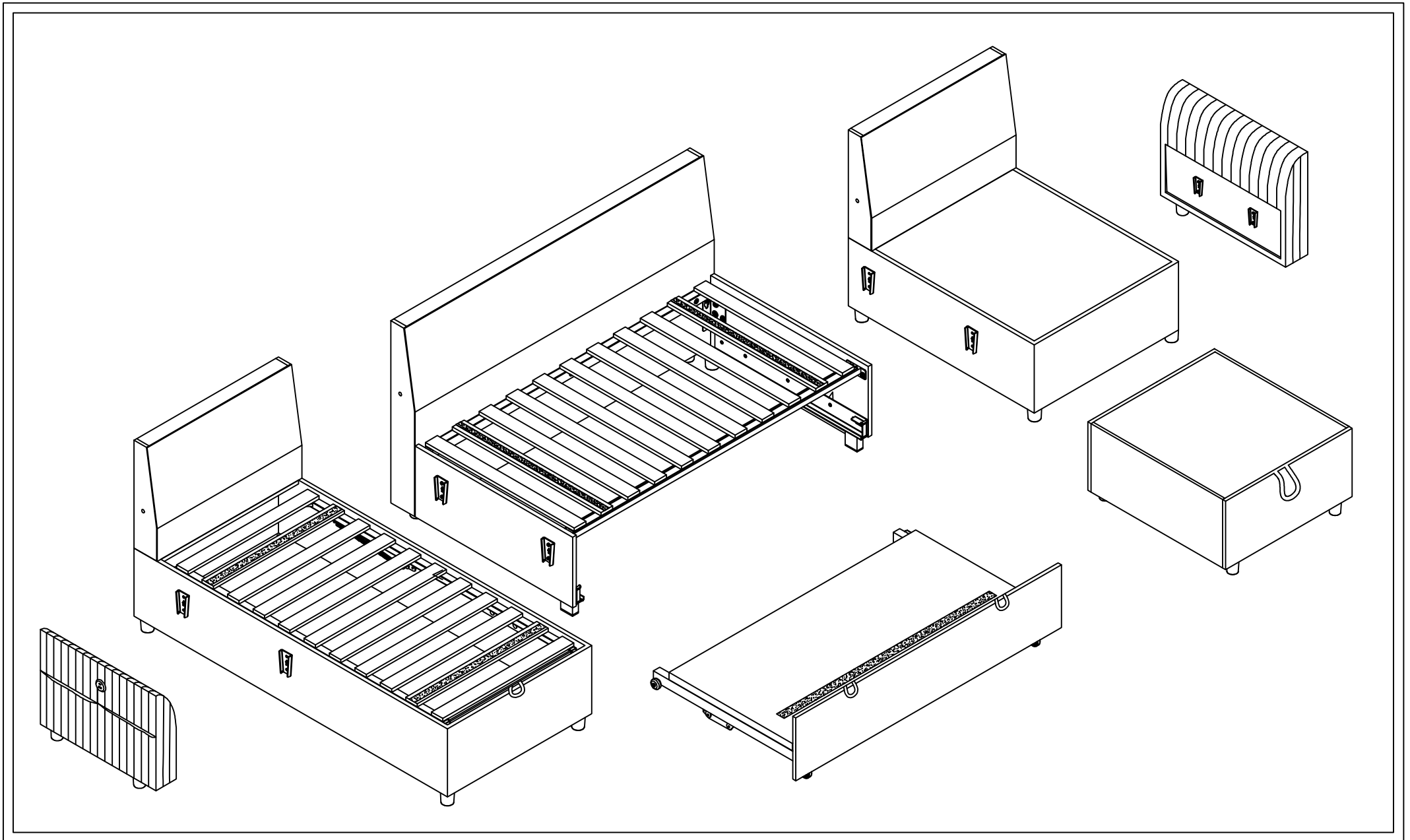
### STEP 5



### STEP 6

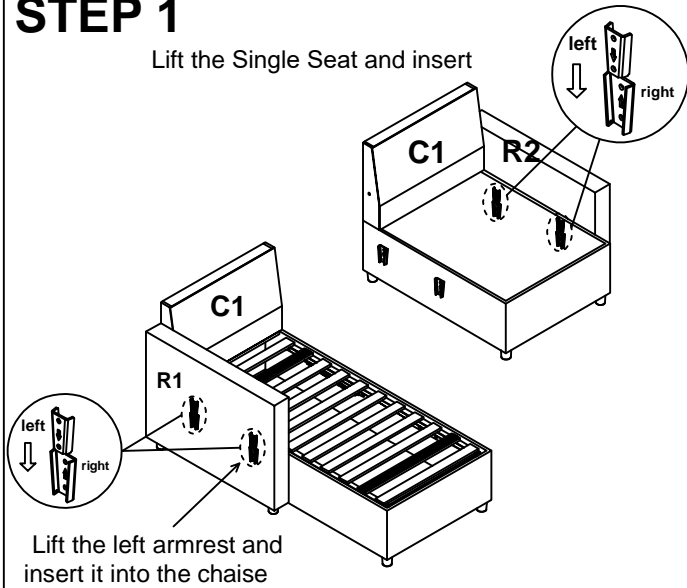


# How to Connect Chaise, Single Seat, Ottoman, Loveseat & Pull-Out Bed for U-Shaped Sofa

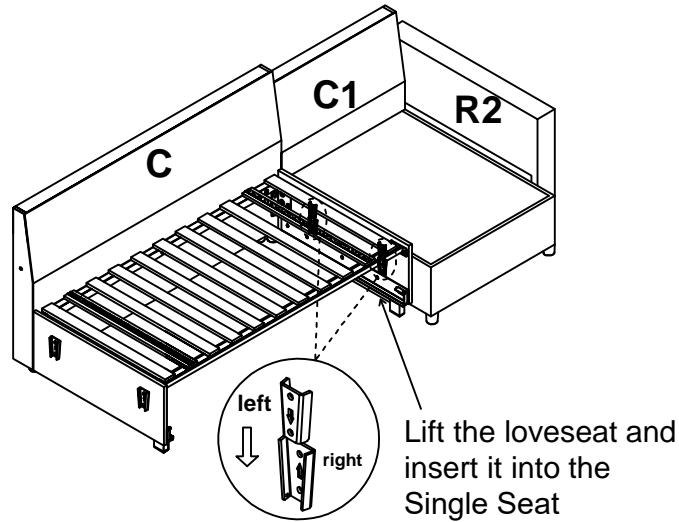


## STEP 1

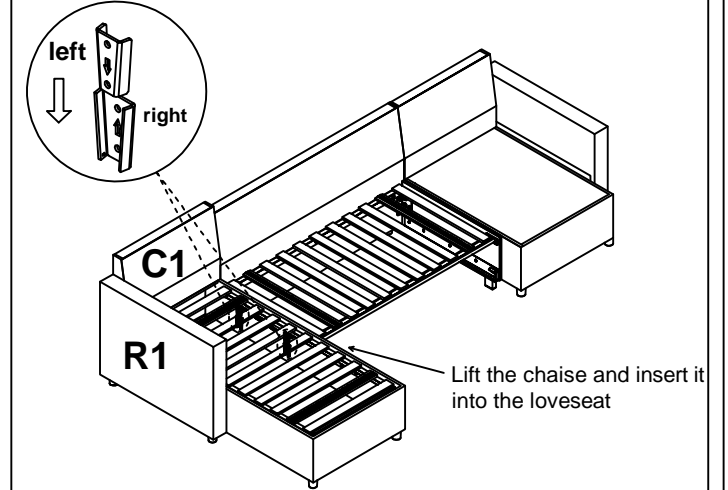
Lift the Single Seat and insert



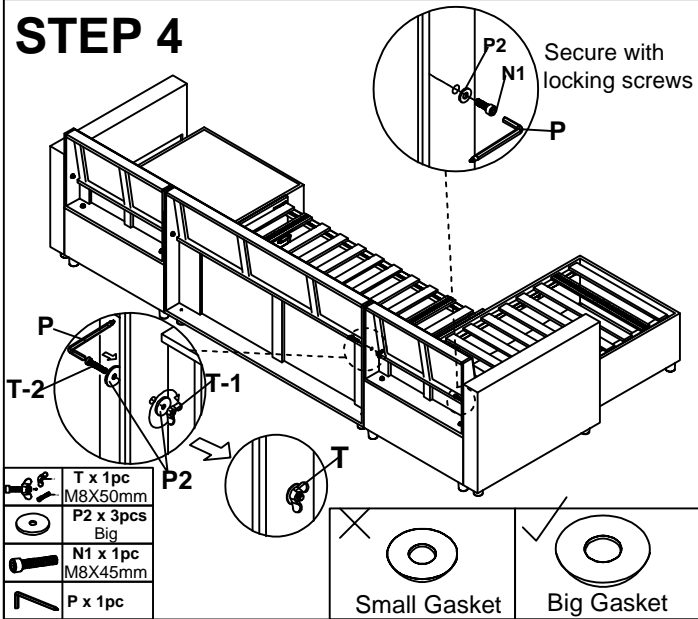
## STEP 2



## STEP 3

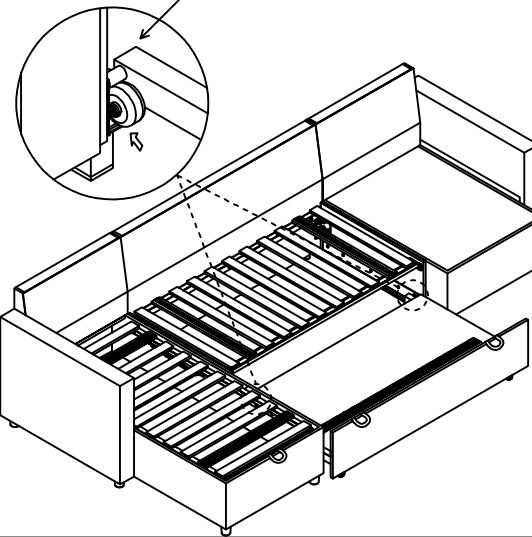


## STEP 4

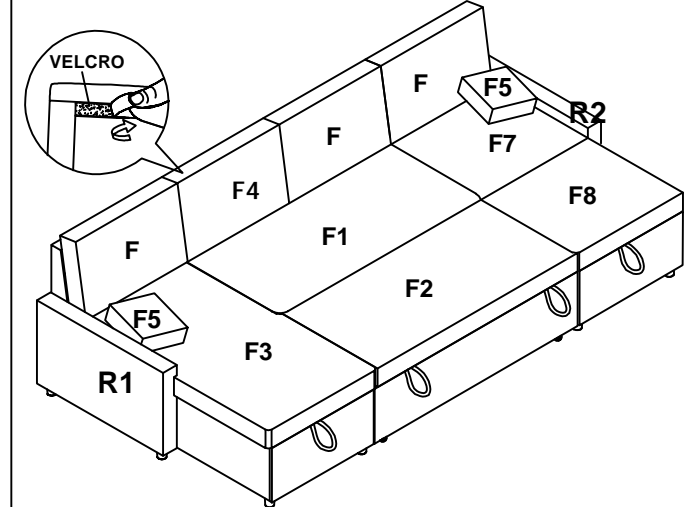


## STEP 5

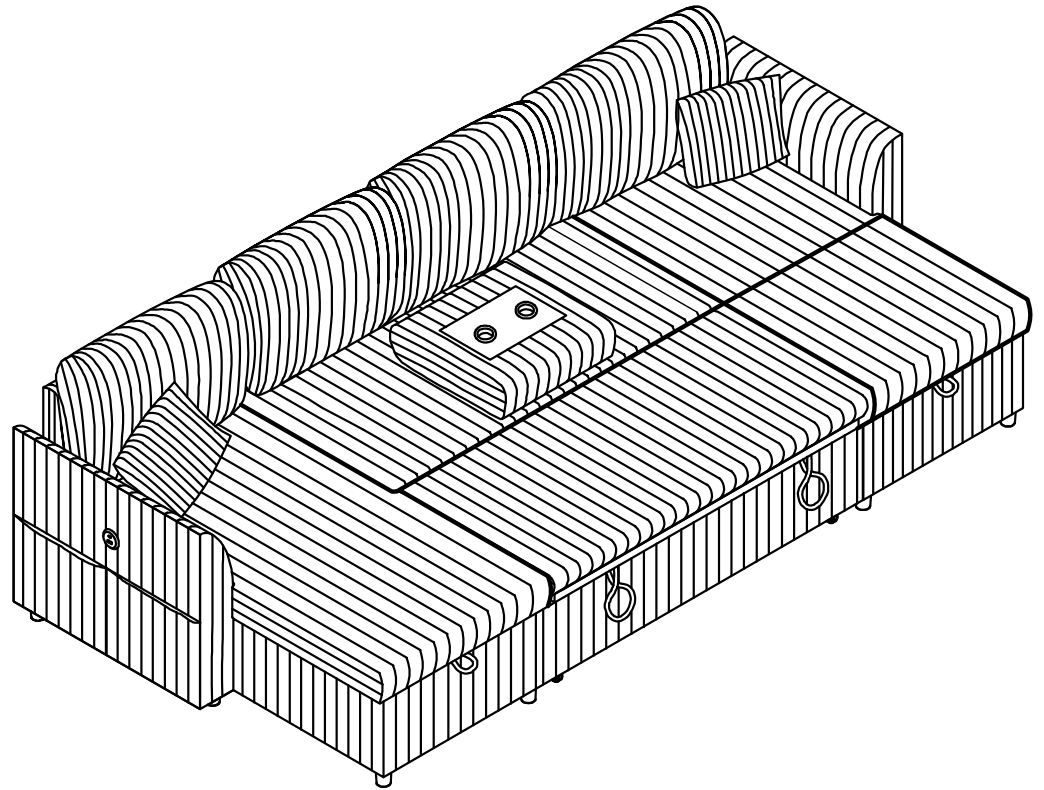
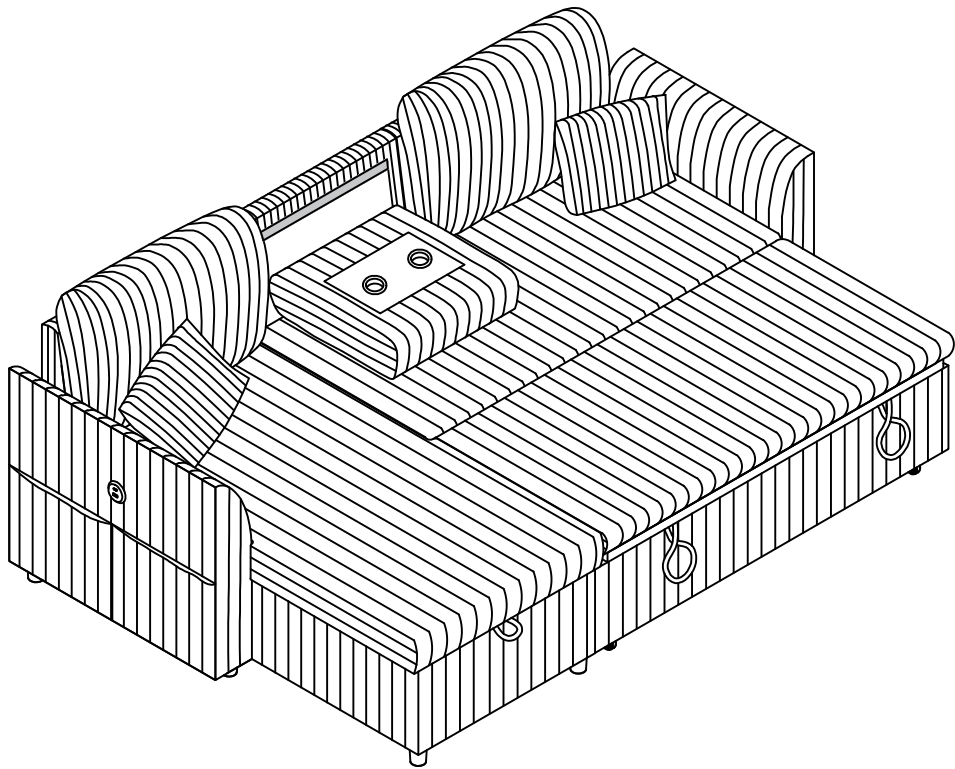
Lift it slightly and place it on the track.



## STEP 6



# SOFA



finished product display