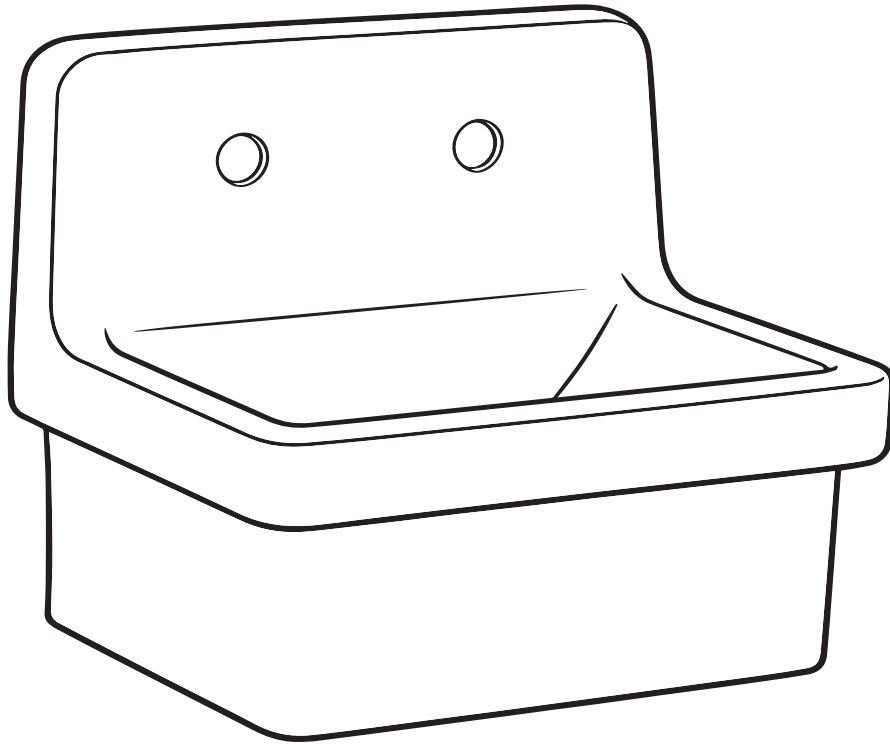


Installation Instruction

Wall Mounted Utility Sink



REPARATION AND INSPECTION

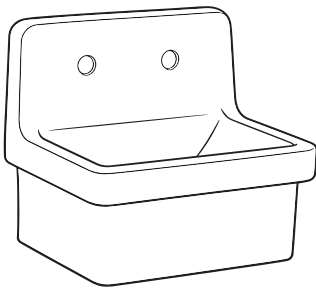
Read All Instructions: Please read this entire guide thoroughly before starting installation. Improper installation can lead to leaks, product damage, or personal injury.

Inspect: Unbox the sink and check all parts. Carefully inspect for any shipping damage or missing. **DO NOT INSTALL** a damaged product.

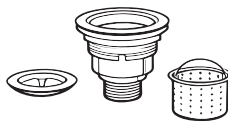
Contact Customer Service immediately with photos.

Verify Space: Ensure there is adequate space behind the planned location for the faucet, handles, and backsplash.

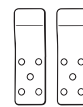
PARTS INCLUDED



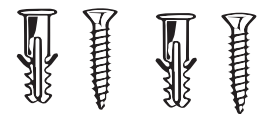
Laundry Sink x1



Basket Strainer x 1

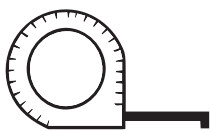


Mounting Bracket x 2



Mounting Bolt Kit x2

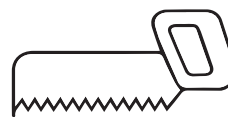
TOOLS REQUIRED



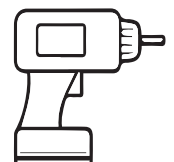
Tape Measure



Pencil



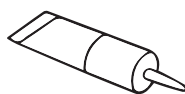
Hacksaw



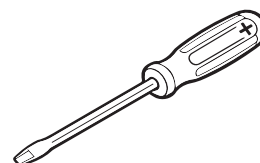
Drill



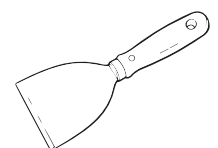
Level



Thread Sealant



Screwdriver



Putty Knife

CAUTION

Risk of injury or damage. Due to the significant weight of the vitreous china, lifting this sink requires a minimum of two people.

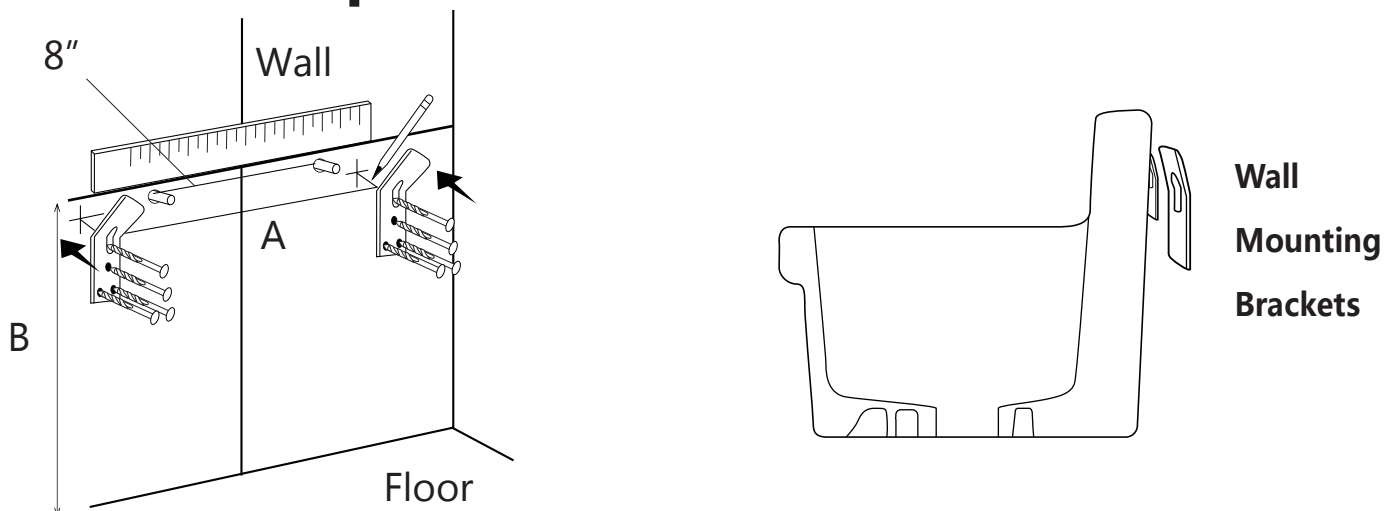
Obtain help before proceeding.

ADDITIONAL STATEMENT

The illustrations of cabinets and frames are generic and serve as visual guides only. Installation is demonstrated using a standard countertop; however, the steps can accommodate a variety of countertop sizes.

INSTALLATION GUIDE

Installation Option 1-Wall Mounted Installation



1. Mark Height: Determine the final sink height (B). The top of the sink lip should be between 31" to 34" from the floor. Mark a level line on the wall.

2. Mark Bracket Centers: The centers of the two steel hanger brackets (A) must be spaced between 12.5" to 13" apart.

3. Position the brackets level on the wall and mark the screw holes.

Secure them to the wall, but do not fully tighten. Re-check for levelness, then tighten all screws completely.

4. Mount the Sink: With assistance, carefully lift the sink and place it onto the installed wall brackets. Place a level on the front edge of the sink to check for level. Make minor adjustments if necessary.

Installation Option 2-Top Mounted Installation

1. Confirm Sink & Cabinet Dimensions

Ensure the cabinet opening matches your sink's actual size for a minimal seam.

If the sink isn't present, allow space for wooden filler strips.

2. Mark & Cut the Opening

a. Measure the actual sink.

b. Transfer its outline onto the countertop.

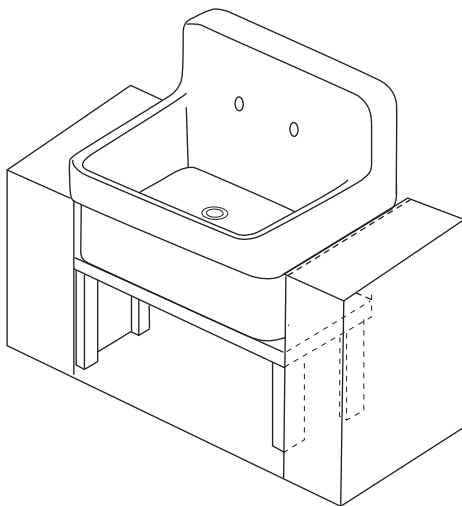
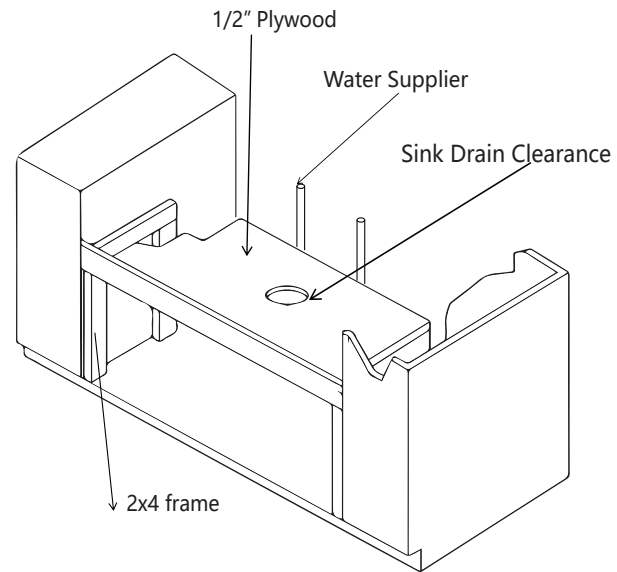
c. Cut through the countertop and cabinet.

3. Build & Position the Support Frame

Build a support frame inside the cabinet using 2x4 frame and 1/2" plywood.

Key Step: Set the plywood's height so that the distance from its top to the countertop equals the sink's basin-bottom to rim-bottom distance. This ensures level support.

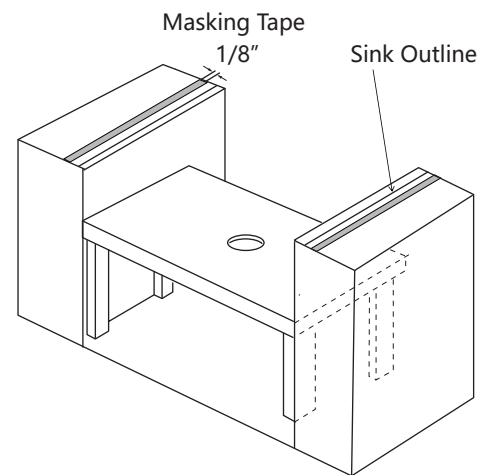
Cut a clearance hole for the drain in the plywood.



4. Temporary Sink Placement

Place the sink in the opening to check for proper fit and clearance. Trace its outer edge on the countertop to mark the exact position for final installation and sealant application.

Then, remove the sink.



5. Apply Masking Tape

Apply a strip of masking tape 1/8" outside the traced sink outline. This will serve as a guide for applying the silicone sealant, helping to create a neat and even bead.

6. Install Sink:

Carefully lower the sink, aligning it with the guidelines on the countertop, and press down firmly to set it in place. Apply an even bead of sealant between the sink rim and the countertop, smoothing it to the masking tape. Remove excess sealant, then carefully peel off the tape.

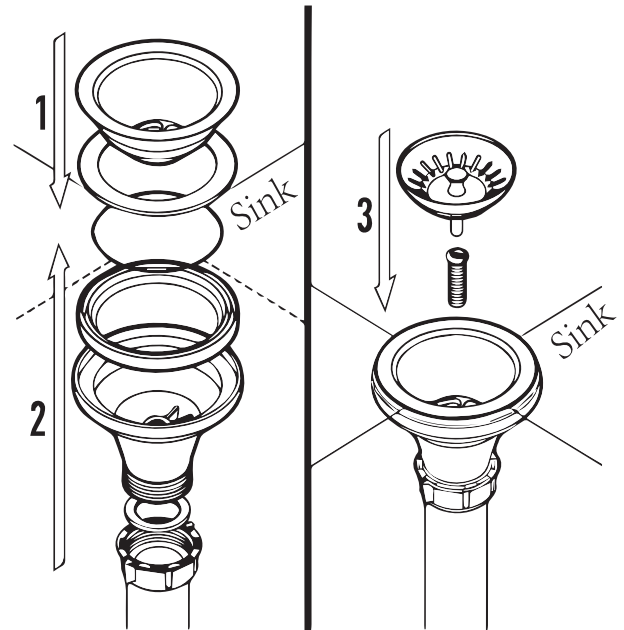
Install Drain Guide

1. Insert Top Strainer: Place the strainer (with its gasket) into the sink drain hole from the top.

2. Align Bottom Assembly: Position the bottom waste bowl (containing the seal) under the drain hole, aligning it with the top strainer.

3. Tighten Screw: From underneath, thread and tighten the connecting screw to secure both parts together. Avoid over-tightening.

4. Install water supply (not included) according to the manufacturer's instructions



CARE AND MAINTENANCE

For daily cleaning and general maintenance, use a soft cloth (e.g., microfiber) with warm water and a mild liquid dish soap or a dedicated stone/porcelain cleaner. Rinse thoroughly and dry with a soft cloth to prevent water spots.

For tougher stains or dried-on residue, you may use a small amount of non-abrasive powdered cleanser with a damp sponge. For the most stubborn spots, a soft nylon scouring pad can be used with gentle pressure.

IMPORTANT: DO NOT USE

To protect the surface finish and prevent permanent damage, never use: Abrasive scouring powders or creams. Cleaners containing bleach, ammonia, or other harsh acids. These products will scratch, dull, and irreparably damage the surface.

WARRANTY

1. WHAT THIS WARRANTY COVERS

KARAMAG warrants to the original purchaser that its products will be free from defects in material and workmanship under normal installation, use, service, and maintenance for a period of one (1) year from the date of delivery. Proof of purchase (original invoice) is required for all warranty claims.

During the warranty period, KARAMAG may, at its sole option:

- (a) Repair or replace the defective part(s) or product(s) at no charge;
- (b) Issue a refund of the original purchase price (valid only within 30 days of delivery); or
- (c) Issue a credit toward the purchase of a new KARAMAG's product.

Note: Any shipping or delivery charges incurred shall be determined by KARAMAG in its sole discretion.

2. WHAT THIS WARRANTY DOES NOT COVER

This limited warranty does not cover defects or damages resulting from:
Improper installation, misuse, abuse, or negligence – including failure to have the product installed by a licensed professional plumber (recommended);
Normal wear and tear or surface scratches;
Use of abrasive, alcohol-based, or solvent cleaners;
Alterations, unauthorized repairs, or use of non-KARAMAG parts;
Hard water deposits, mineral buildup, or exposure to corrosive materials;
Accidents, transportation damage, or acts of nature;
Failure to follow the care and installation instructions provided with the product.

KARAMAG is not responsible for:

Labor costs, removal, or reinstallation expenses;
Any incidental, indirect, or consequential damages (e.g., loss of use, inconvenience, water damage);
Any damage that could have been discovered by inspection prior to installation.

3. INSTALLER / USER RESPONSIBILITIES

Pre-installation inspection is the sole responsibility of the installer or contractor. The product and packaging contain notices advising of this duty.

If any defect or damage is found, DO NOT INSTALL the product. Contact the seller and carrier immediately.

Transportation damage must be reported in writing to both the seller and the carrier upon delivery. File freight claims promptly. KARAMAG is not liable for damage occurring during transit.

4. DISCLAIMER OF OTHER WARRANTIES

TO THE EXTENT PERMITTED BY LAW, THIS LIMITED WARRANTY IS IN LIEU OF ALL OTHER WARRANTIES, EXPRESS OR IMPLIED, INCLUDING ANY WARRANTIES OF MERCHANTABILITY OR FITNESS FOR A PARTICULAR PURPOSE. No dealer, representative, or other person is authorized to extend or modify this warranty.

5. HOW TO OBTAIN WARRANTY SERVICE

To file a claim, please contact KARAMAG Customer Service with the following information:

Original proof of purchase (invoice);
Date of installation;
Description and photos of the defect;
Model number or description of the product.
KARAMAG will then determine the appropriate remedy (repair, replacement, refund, or credit).

KARAMAG reserves the right to update or modify this warranty policy at any time without prior notice.