

Brondell®

Coit Integrated Smart Bidet Toilet

Model: KBT-900



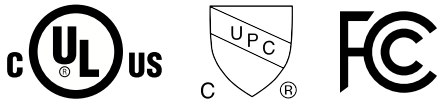
Features

- Endless Warm Water
- Fully Adjustable Water Temperature and Pressure
- Auto Flush
- Hygienic, foot-activated button opens seat and lid, and initiates flushing
- Heated Seat with 6 Warmth Levels
- Built-In Carbon Deodorizer
- Advanced Warm Air Dryer with 3 Fan Speeds and Adjustable Temperature
- Automatic LED Nightlight with On/Off Option
- Dual, Self-Cleaning Retractable Nozzles with UV NozzleClean
- Five Nozzle Positions
- Nozzle Oscillation
- Wireless Remote Control with Mount

Warranty

3-Year Limited Warranty

Complies with Codes/Standards



Technical Specifications

Power Voltage / Frequency	120 V (60 Hz)
Max Power Consumption	1050 W
Power Cord Length	36.25" (92 cm)
Rated Power Source	120 V
Remote Control Battery Type / Quantity	AAA Batteries (2)
Seat Weight Limit	440.93 lb (200 kg)
Lid Weight Limit	440.93 lb (200 kg)
Deodorizer Filter Type / Filter Life	Catalytic Carbon / lifetime

Weight and Dimensions

Dimensions (L x W x H)	26.9" x 15.11" x 18.58" (68.3 cm x 38.4 cm x 47.2 cm)
Seat Thickness	0.79" (2 cm)
Bidet Hose Length	23.6" (60 cm)
Bidet Hose Connection Size	1/2" x 1/2"
T-Valve Connection Size	1/2" x 1/2" x 11/16-20UN T-Valve
Weight	97 lb (44 kg)
Seat Opening Dimensions:	12.15" x 8.07" (30.5 cm x 20.5 cm)

NOTE: The specifications listed above are subject to change without prior notice for reasons of improving the product performance.

For questions and additional resources, contact:

Brondell Customer Support 1-888-542-3355

www.brondell.com/support

Brondell, Inc. PO Box 470085 San Francisco, CA 94147 | brondell.com

Brondell®

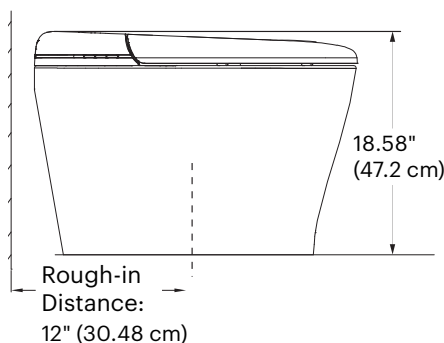
Warm Water Washing Device	
Supply Water Pressure	35 psi–98 psi (0.24 MPa–0.67 MPa)
Incoming Water Temperature	41°F–104°F (5°C–40°C)
Flow Rate	Rear Wash: 0.155 gal/min (0.59 L/min) Front Wash: 0.161 gal/min (0.61 L/min)
Default Wash Cycle Time	4 Minutes
Water Pressure Control	5 Levels
Water Temperature Control	Level 1: 87.8°F (31°C); Level 2: 91.4°F (33°C); Level 3: 95.0°F (35°C); Level 4: 98.6°F (37°C); Level 5: 102.2°F (39°C)
Max Heater Power Consumption	1050 W
Safety Devices	Butterfly Thermostat, Thermal Fuse, Flow Sensor

Heated Seat and Air Dryer	
Seat Temperature Control	Level 1 : Room Temp; Level 2: 86°F (30°C); Level 3: 89.6°F (32°C); Level 4: 93.2°F (34°C); Level 5: 96.8°F (36°C); Level 6: 102.2°F (39°C)
Max Seat Heater Power Consumption	40 W
Number of Dryer Settings	4 levels: Off, Low, Med, High; 95°F–131°F (35°C–55°C) (range will vary on surrounding air temperature)
Default Dryer Cycle Time	4 Minutes
Safety Devices	Thermal Fuse, Bi-Metal
Flush Type	Powerful, Double-Stream Flushing
Flush Specifications	1.2 gpf/4.8 lpf. MaP Flush Rating: 1000g

NOTE: The specifications listed above are subject to change without prior notice for reasons of improving the product performance.

Get the right fit.

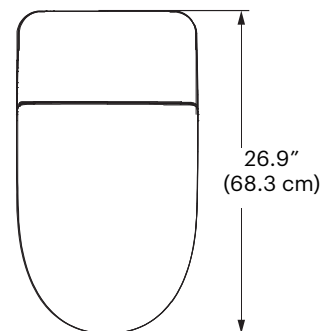
Please use measuring guide to ensure adequate space for installation. Coit requires the centerline of floor drain to be 12" from the finished back wall, and a minimum clearance of 15" from the side of Coit to the closest wall or fixture. There should be at least 21" of clearance in front of the Coit. The minimum operating water pressure for the Coit is 35 psi and the minimum incoming flow rate should be at least 9.25 gal/min at 35 psi.



Side profile



Front view



Top view