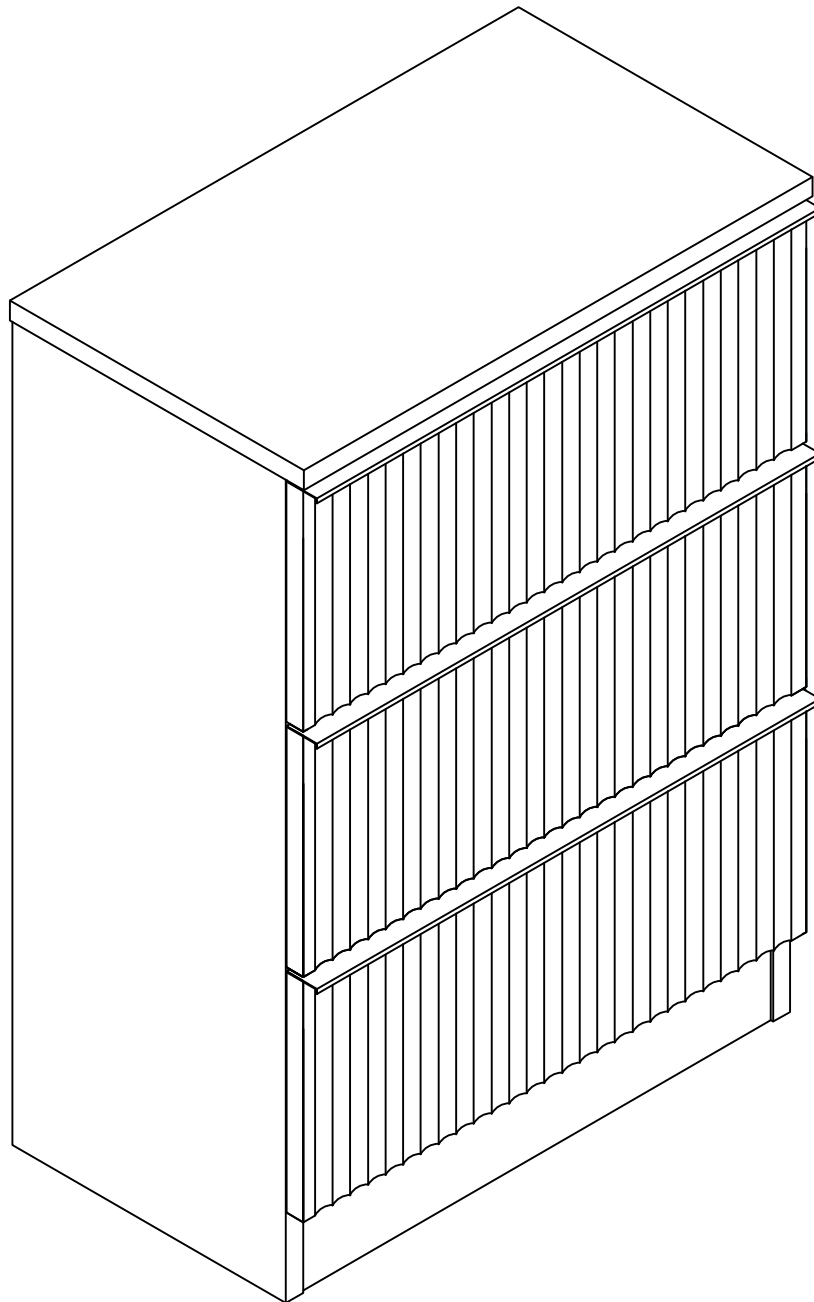


# 3 DRAWER CHEST

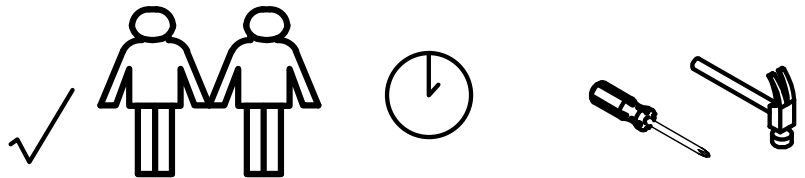
ASSEMBLY INSTRUCTION - Please Keep For Future Reference



# Safety and Care Advice

**IMPORTANT - Please Read This Instruction Carefully Before Assembly.**

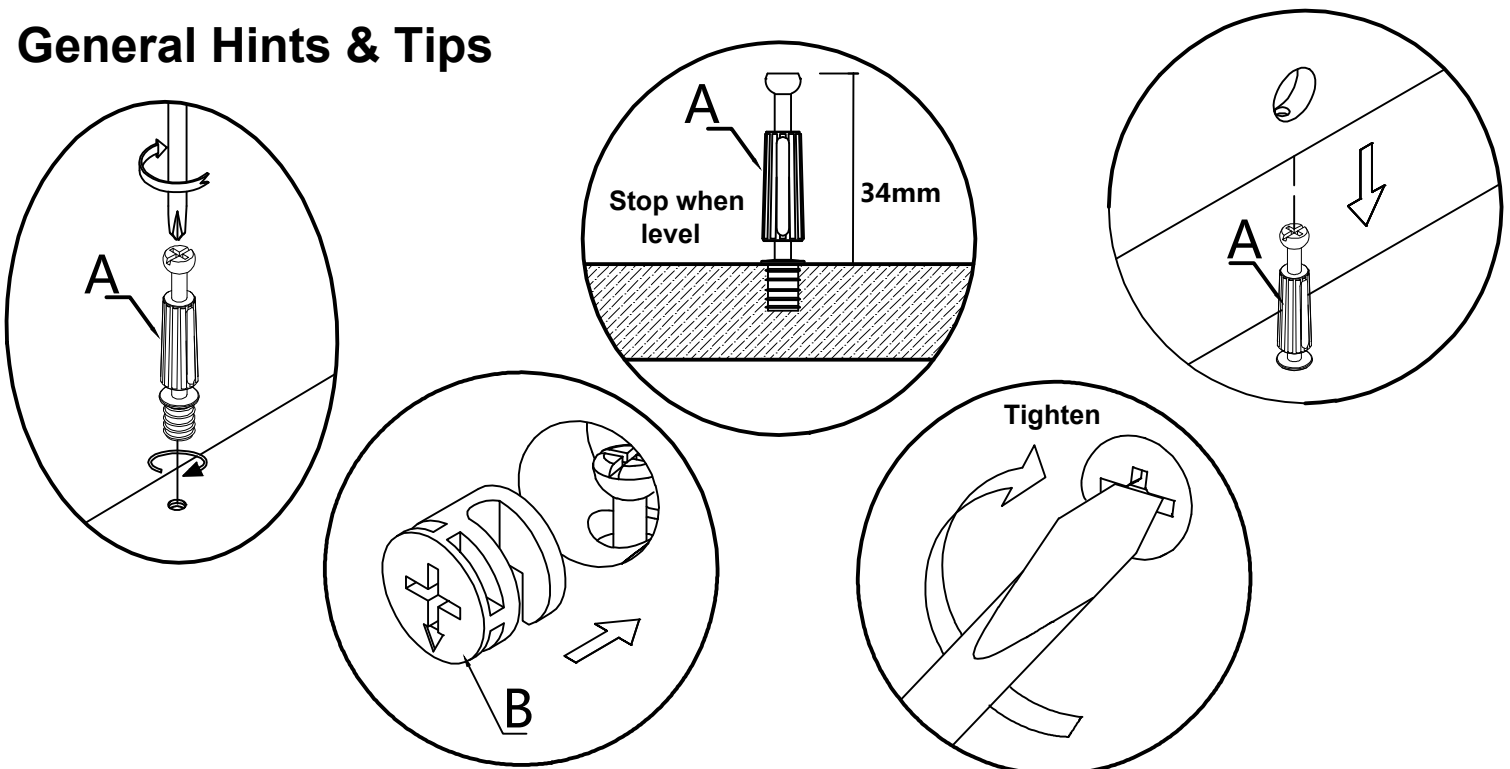
- Check you have all the components and tools listed on page 3.
- Do not stand or put weight on the product, this could cause damage.
- Do not use power drill/drivers for assembly, or the unit may be damaged.
- Remove all settings from the plastic bags and separate them into their groups.
- Assemble the item as close to its intended position (in the same room) as possible.
- Assemble on a soft level surface to avoid damaging the unit.
- Dispose of all packaging carefully and responsibly.
- Keep children and animals away from the work area, small parts could choke if swallowed.
- Assemble on a soft level surface to avoid damaging the unit.
- Parts of the assembly will be easier with 2 people.
- Make sure you have enough space to layout the parts before assembly.



## CARE and MAINTENANCE

- Only clean using a damp cloth and mild detergent, do not use bleach or abrasive cleaners.
- From time to time check that there are no loose screws on this unit.
- This product should not be discarded with household waste. Take to your local authority waste disposal center.

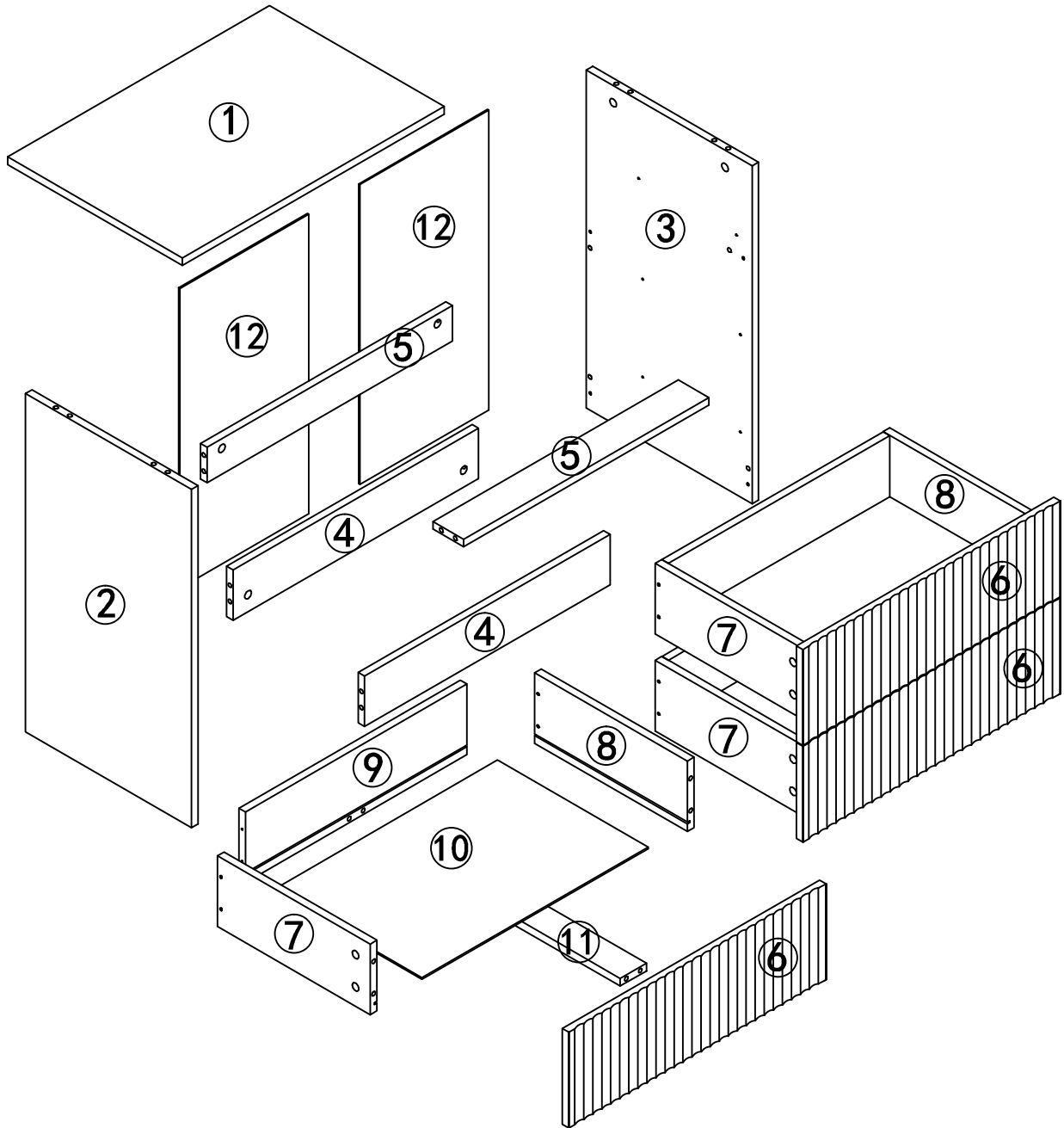
## General Hints & Tips

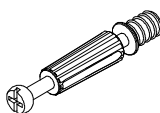
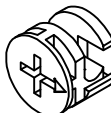
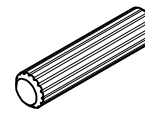



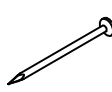
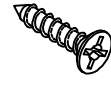

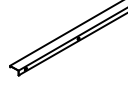


# Components and Tools

**IMPORTANT - Please Check If You Have All The Components and Tools.**

**Note: The quantities below are the correct amount to complete the assembly. In some cases more pieces may be supplied than are required.**

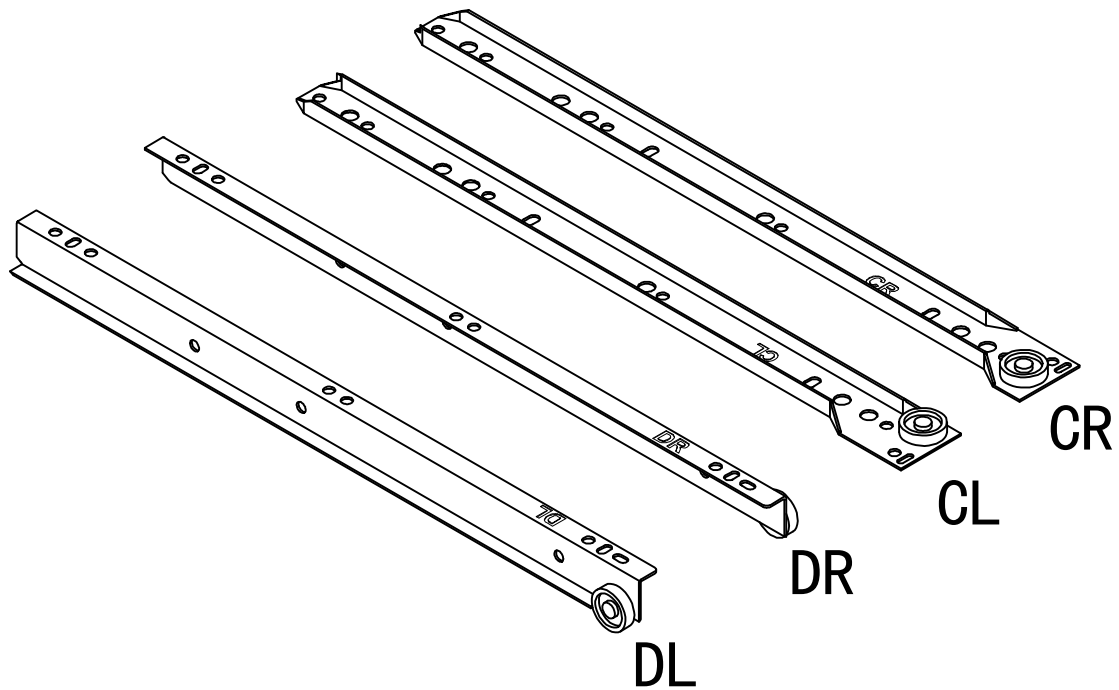


<p>A=24</p>  <p>Peg M6*34mm</p>	<p>B=24</p>  <p>Lock M15*12mm</p>	<p>C=24</p>  <p>Dowel M8*30mm</p>	<p>D=24</p>  <p>Screw M3.5*14mm</p>	<p>E=12</p>  <p>Screw M4*38mm</p>	<p>F=4</p>  <p>Plastic Feet</p>
<p>G=12</p>  <p>Pin</p>	<p>H=9</p>  <p>Screw M3.5*12mm</p>	<p>CR CL DR DL=3</p>  <p>Drawer Runner</p>	<p>I=3</p>  <p>Handle F256=586mm</p>		

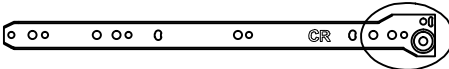
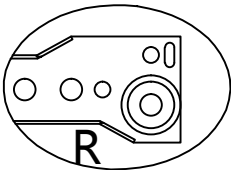
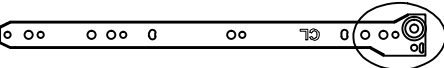
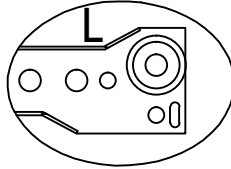
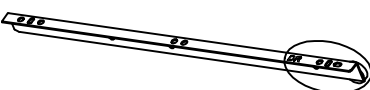
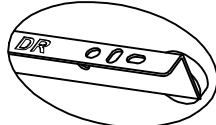
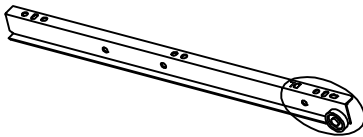
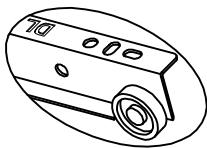
# Drawer Runner Instruction

**IMPORTANT - Please Read It Carefully.**

**NOTE:1 PAIR DRAWER RUNNER INCLUDES 4 PIECES.**

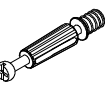
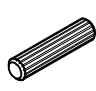




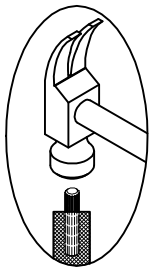
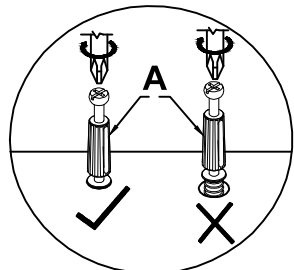
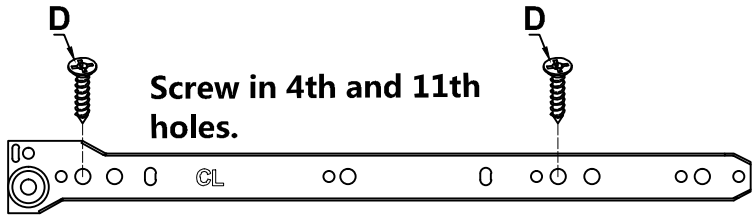
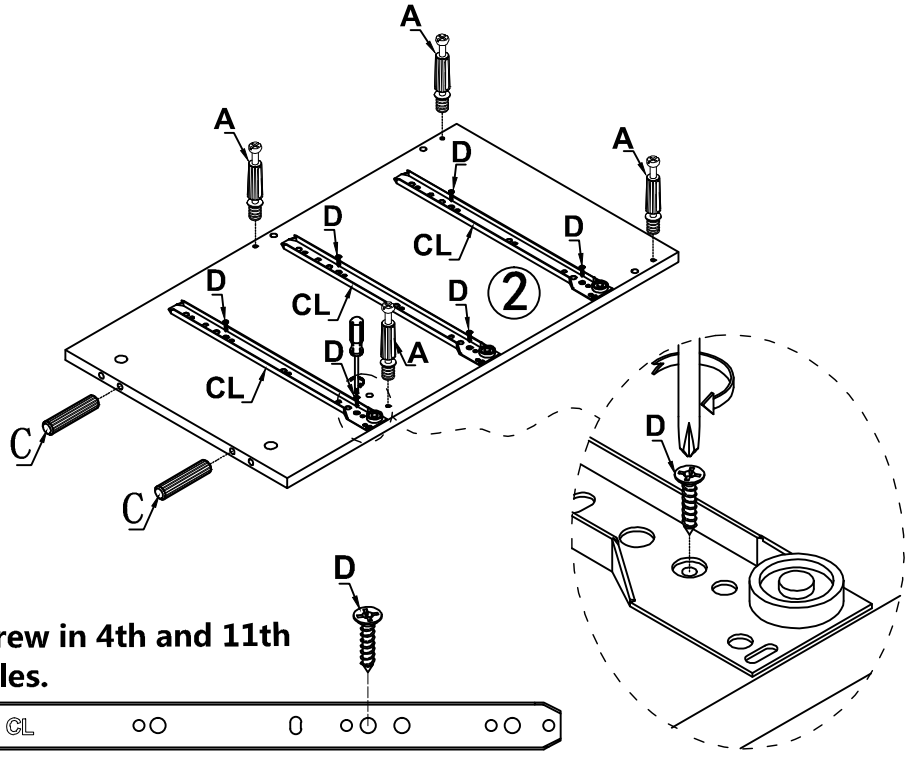
## Fittings (not to scale)

NO.	DESCRIPTION	QTY		
CR	Outer Drawer Runner - Right	3PCS		
CL	Outer Drawer Runner - Left	3PCS		
DR	Inner Drawer Runner - Right	3PCS		
DL	Inner Drawer Runner - Left	3PCS		

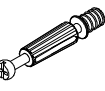


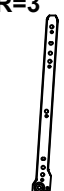
# Assembly Instruction

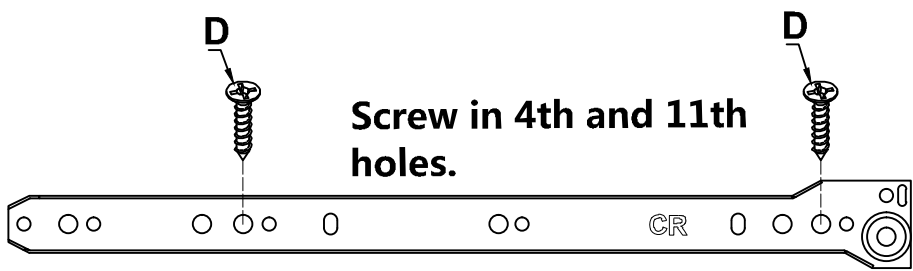
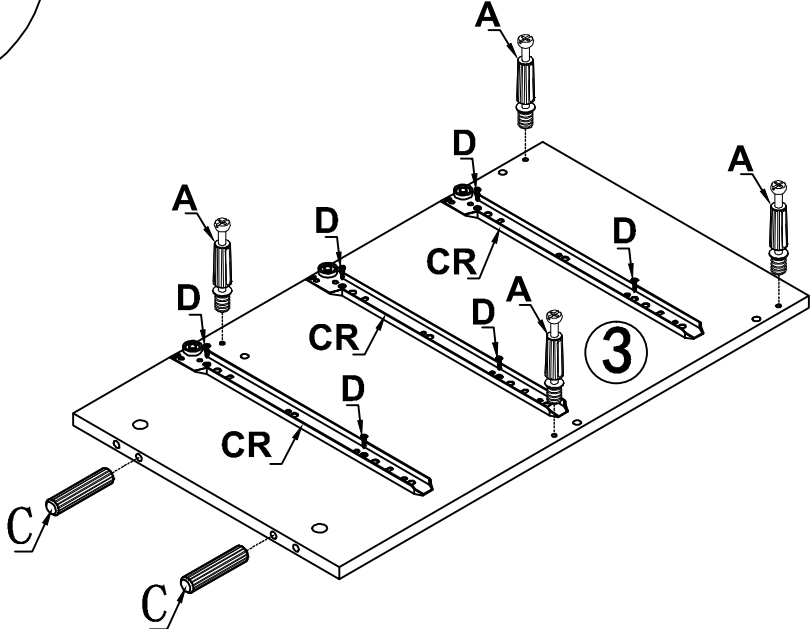
## Step 1

A=4	C=2
	
Peg	Dowel
D=6	CL=3
	
Screw	Drawer Runner



## Step 2

A=4	C=2
	
Peg	Dowel
D=6	CR=3
	
Screw	Drawer Runner

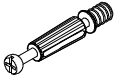


# Assembly Instruction

## Step 3

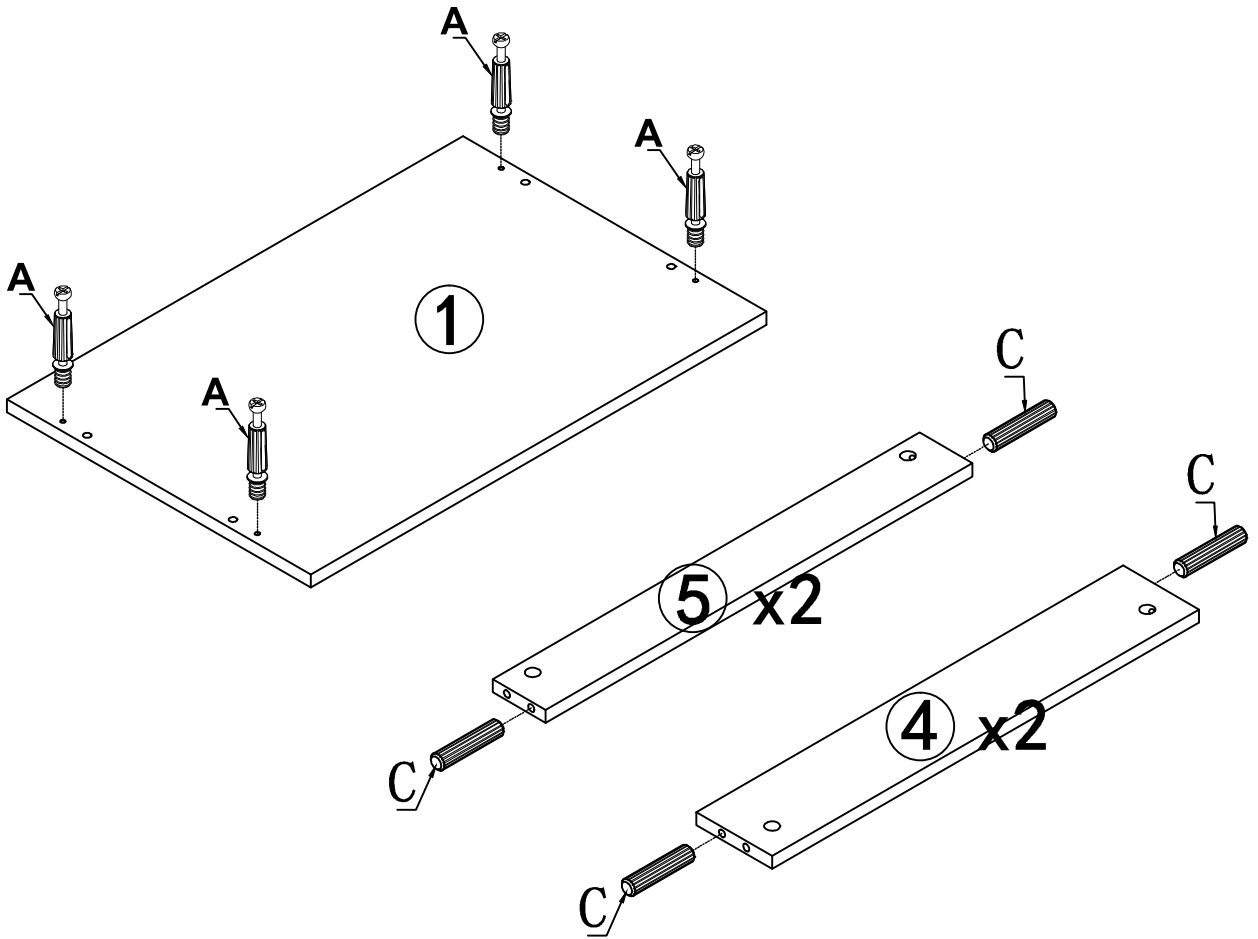
A=4

C=8



Peg

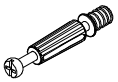
Dowel



## Step 4

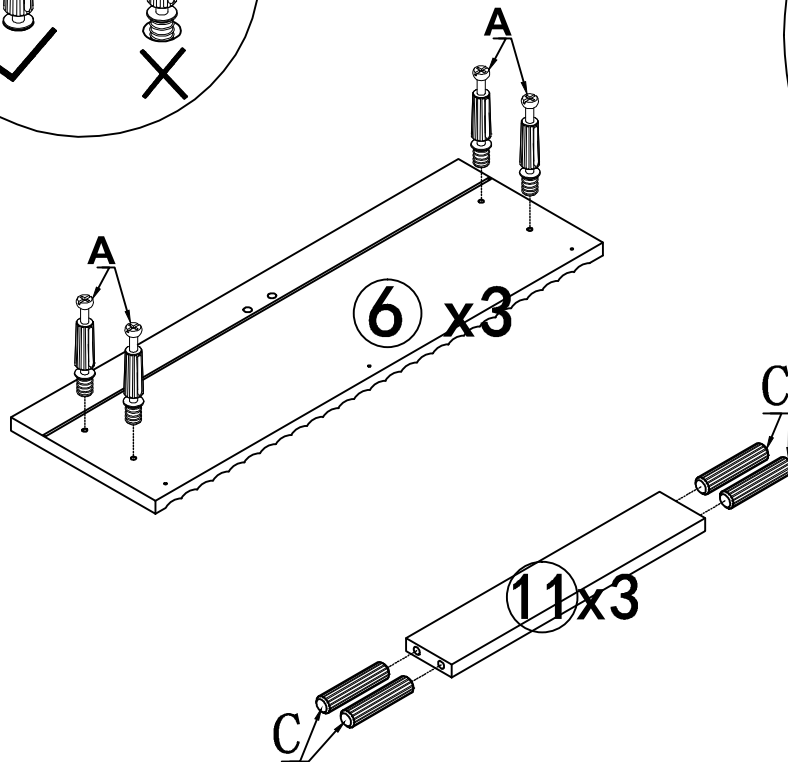
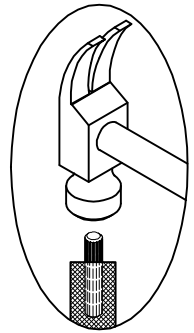
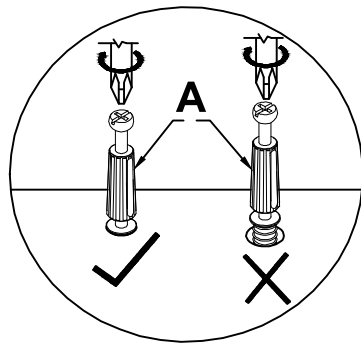
A=12

C=12



Peg

Dowel



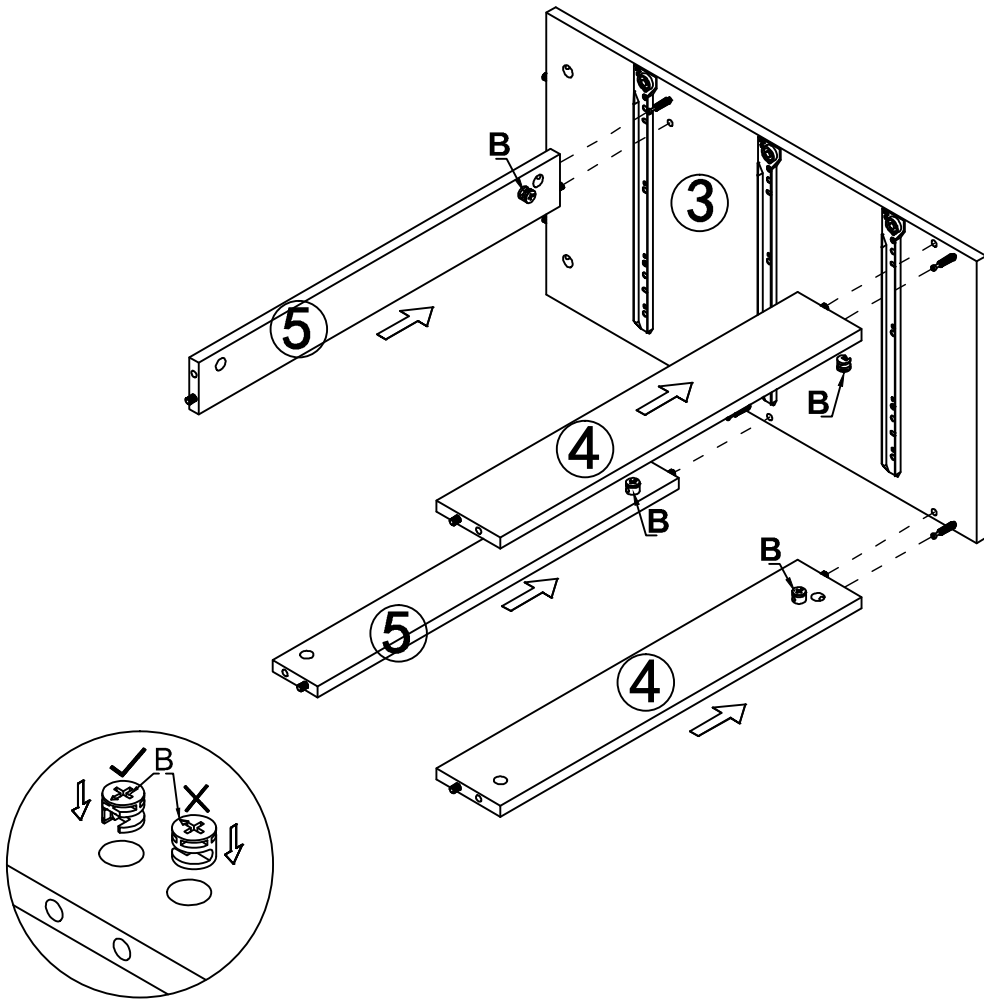
# Assembly Instruction

## Step 5

B=4



Lock  
M15\*12

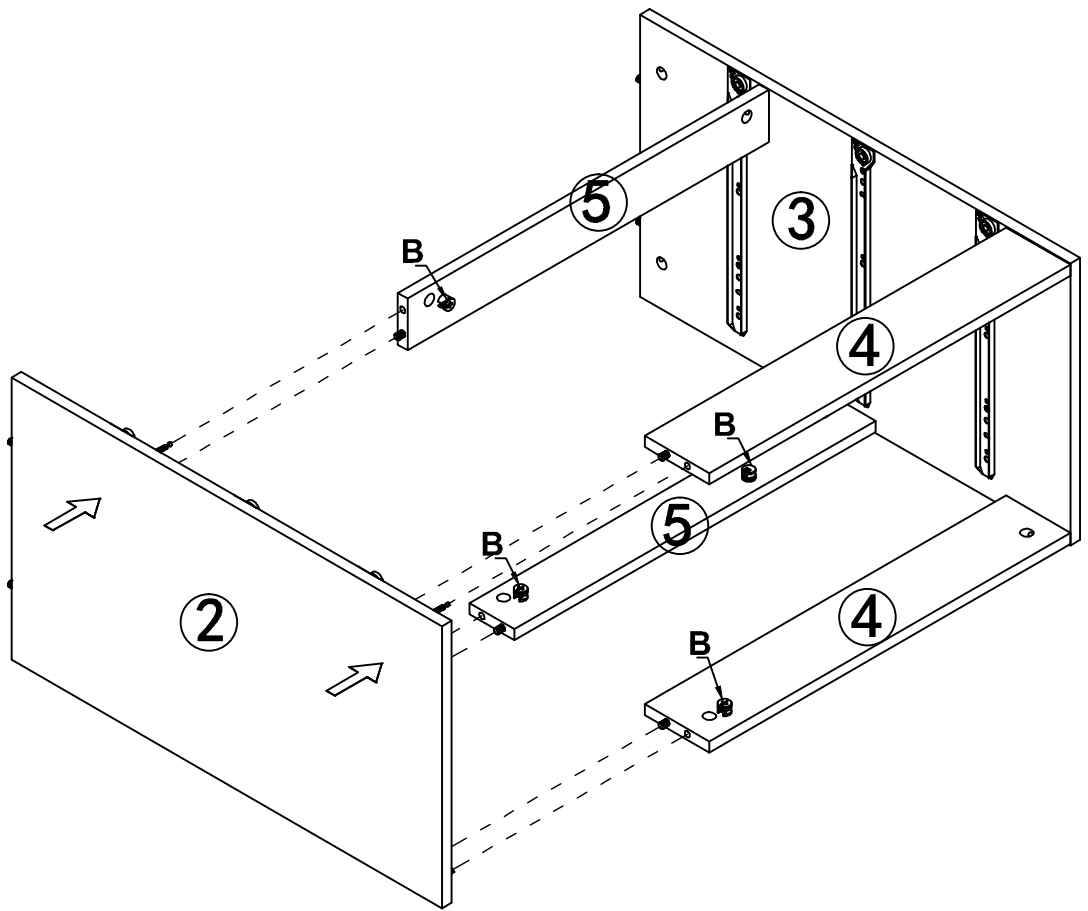


## Step 6

B=4



Lock  
M15\*12



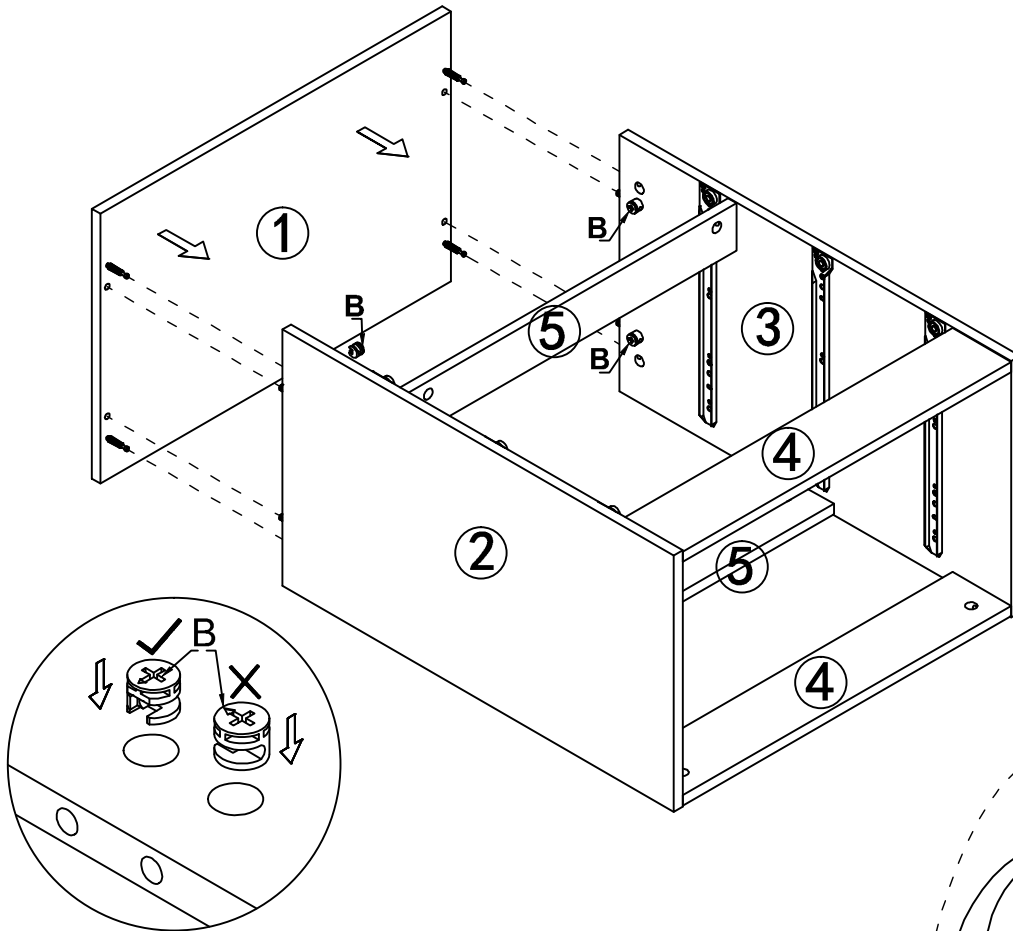
# Assembly Instruction

## Step 7

B=4



Lock  
M15\*12



## Step 8

G=12

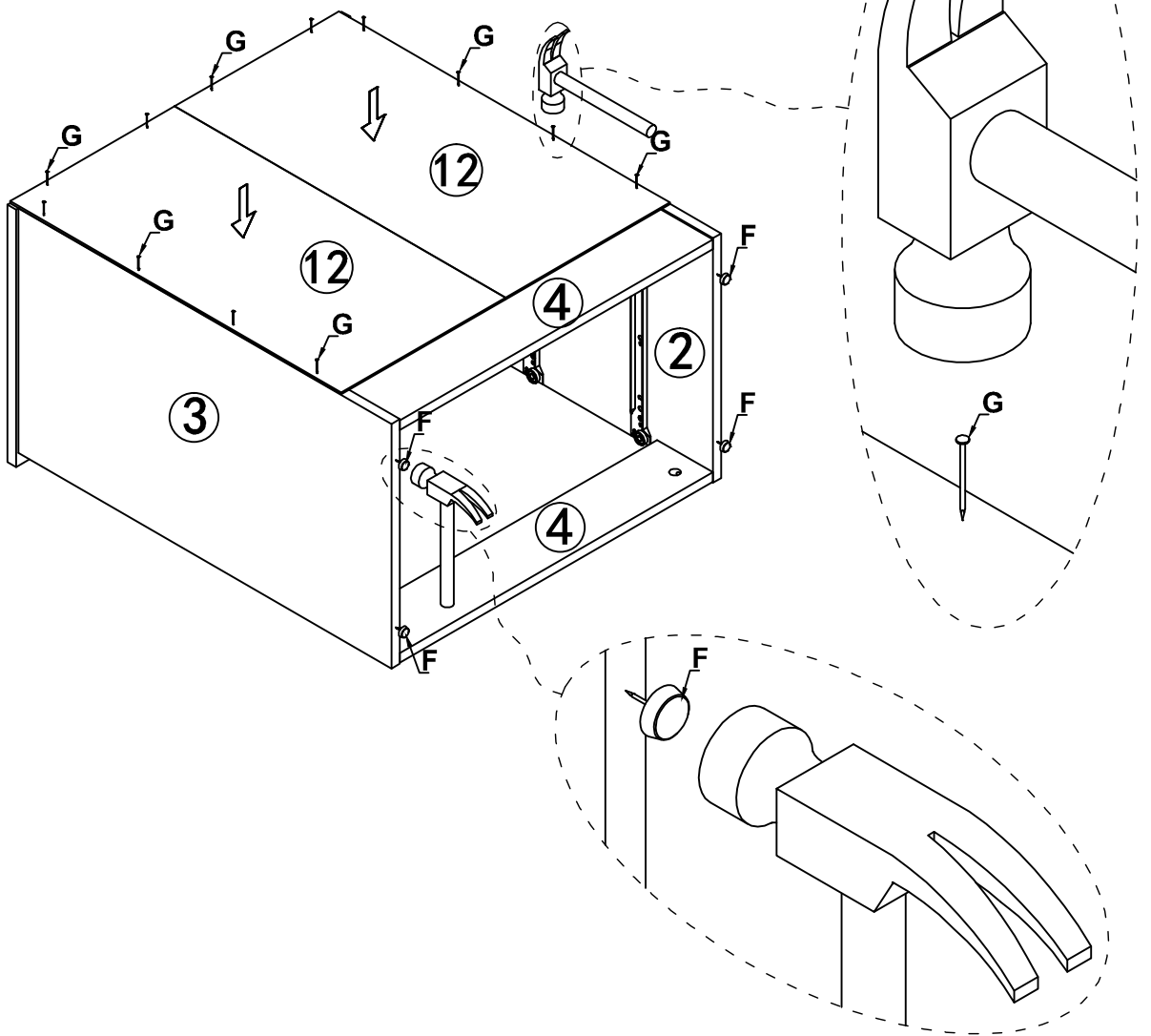
F=4



Pin



Plastic  
Feet



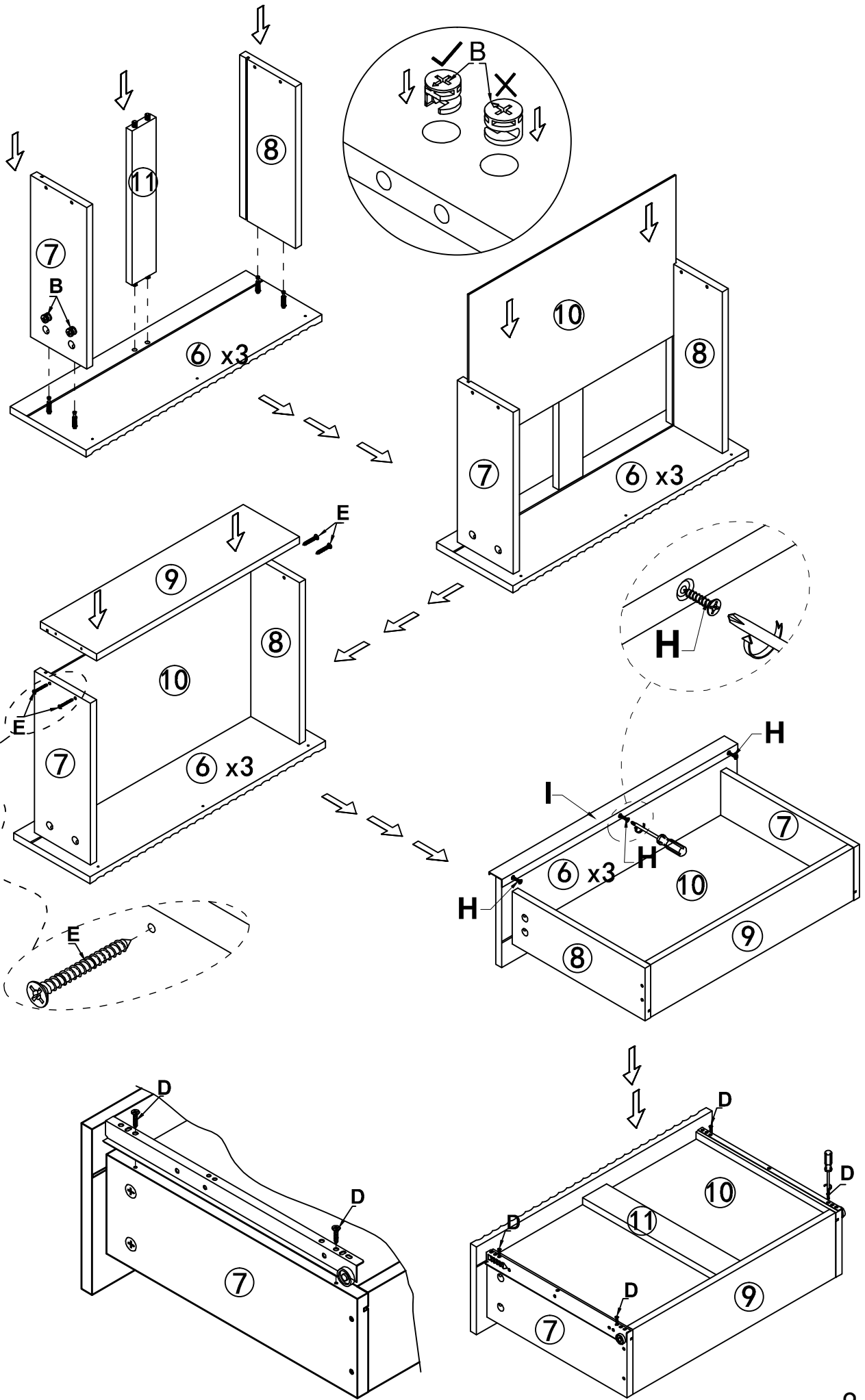
# Assembly Instruction

## Step 9

B=12

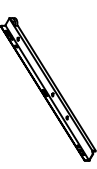


Lock  
M15\*12



## Step 10

DR=3



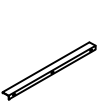
Drawer  
Runner

E=12



Screw  
M4\*38

I=3



Handle  
L=586mm

DL=3



Drawer  
Runner

D=12



Screw  
M3.5\*14

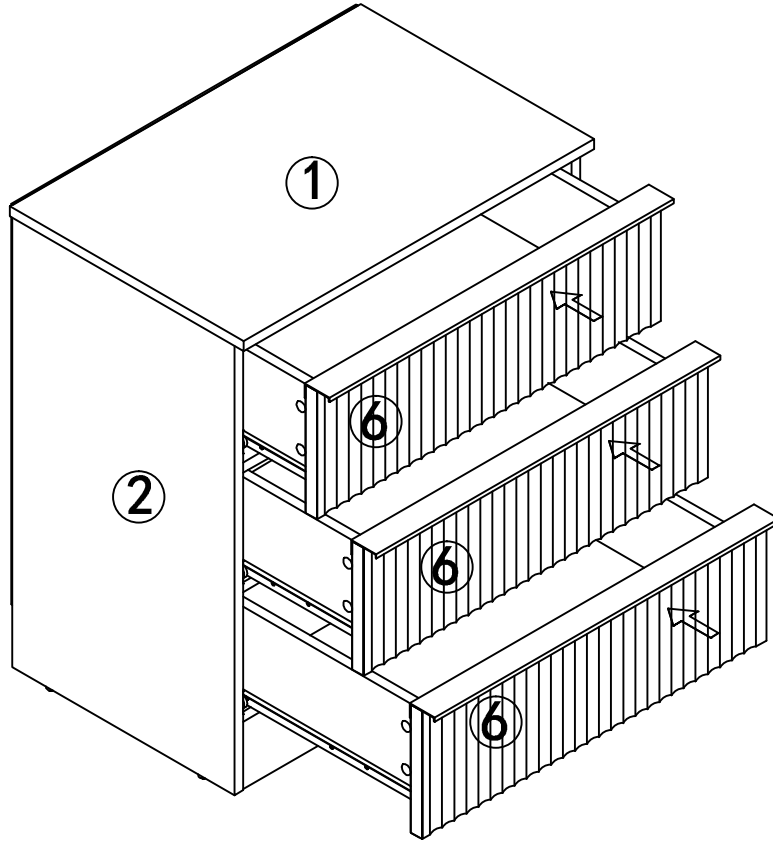
H=9



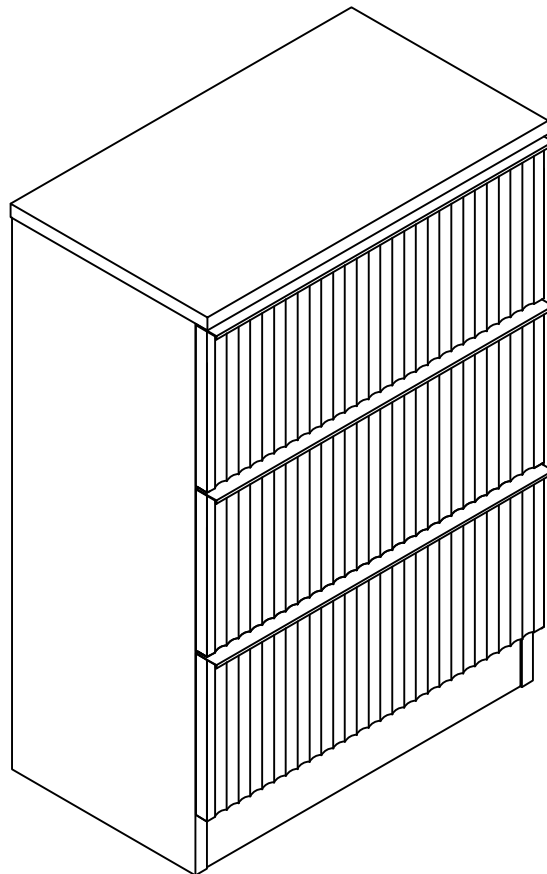
Screw  
M3.5\*12

# Assembly Instruction

## Step 11



## Step 12



OK