

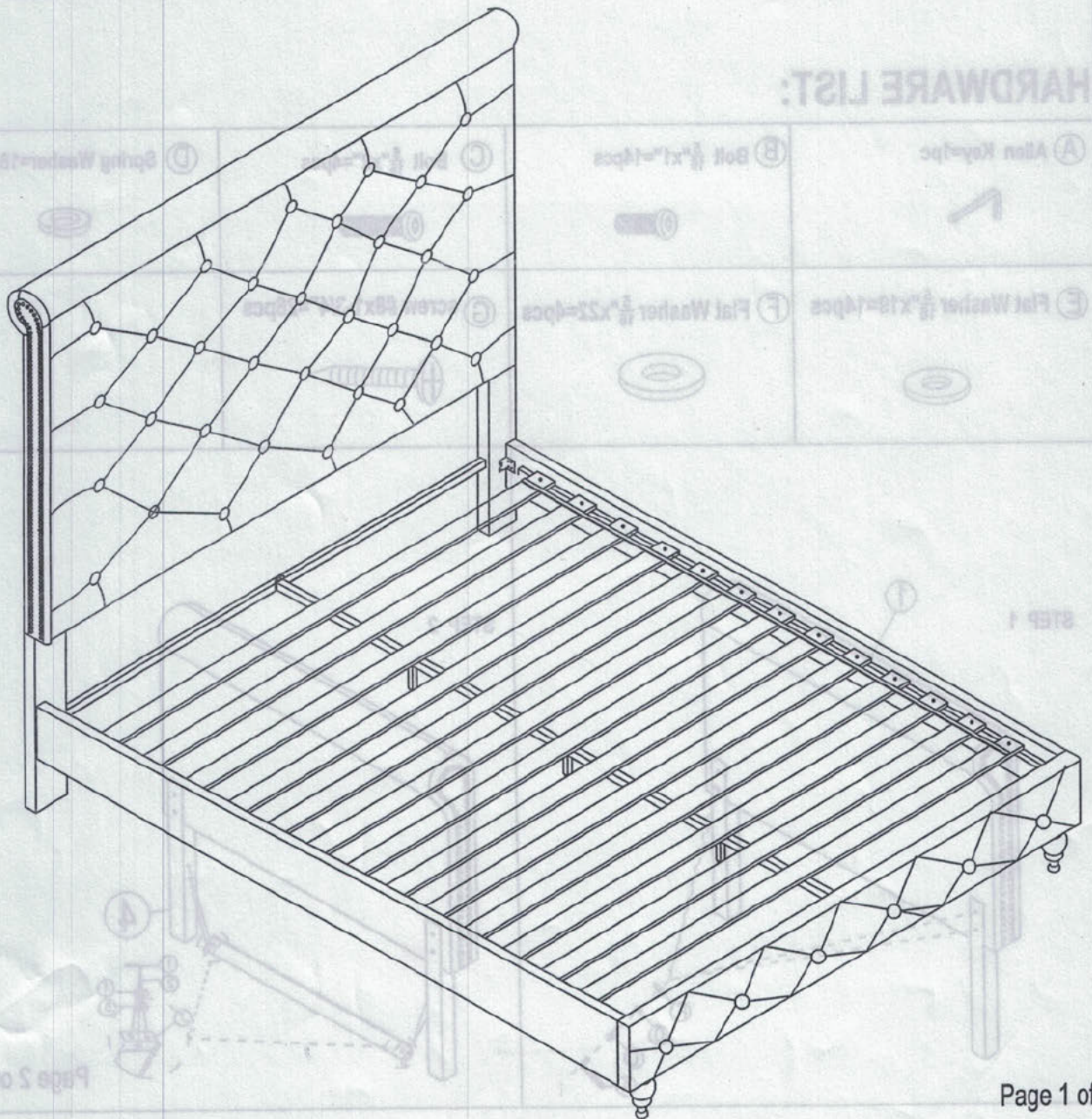
Assembly Instruction

IMPORTANT:


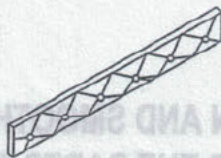
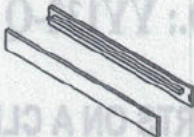


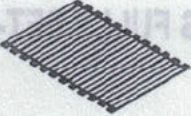


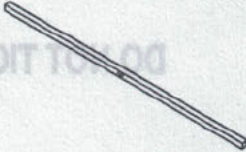
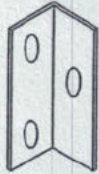
PLACE ALL PARTS ON A CLEAN AND SMOOTH SURFACE SUCH AS A RUG OR CARPET TO AVOID THE PARTS FROM BEING SCRATCHED

KINDLY FOLLOW THE ASSEMBLY INSTRUCTIONS STEP







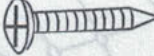
DO NOT TIGHTEN ALL SCREWS UNTIL THE BED IS FULLY SET-UP

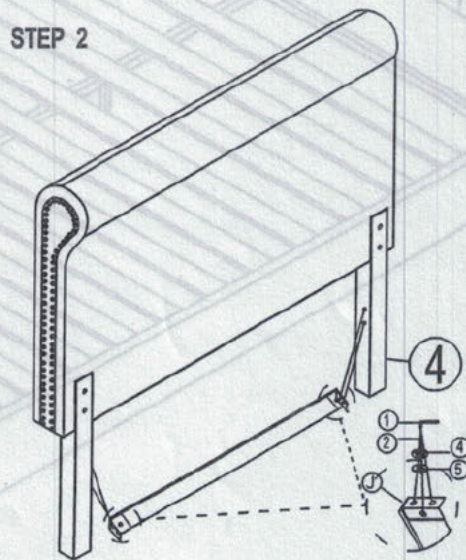
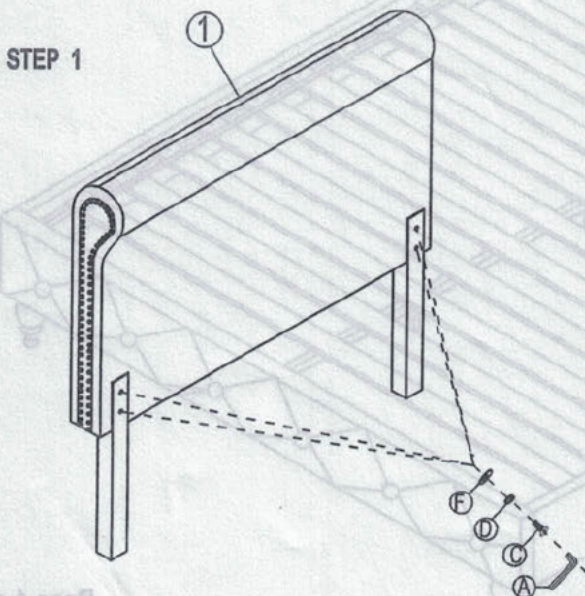


PARTS LIST:

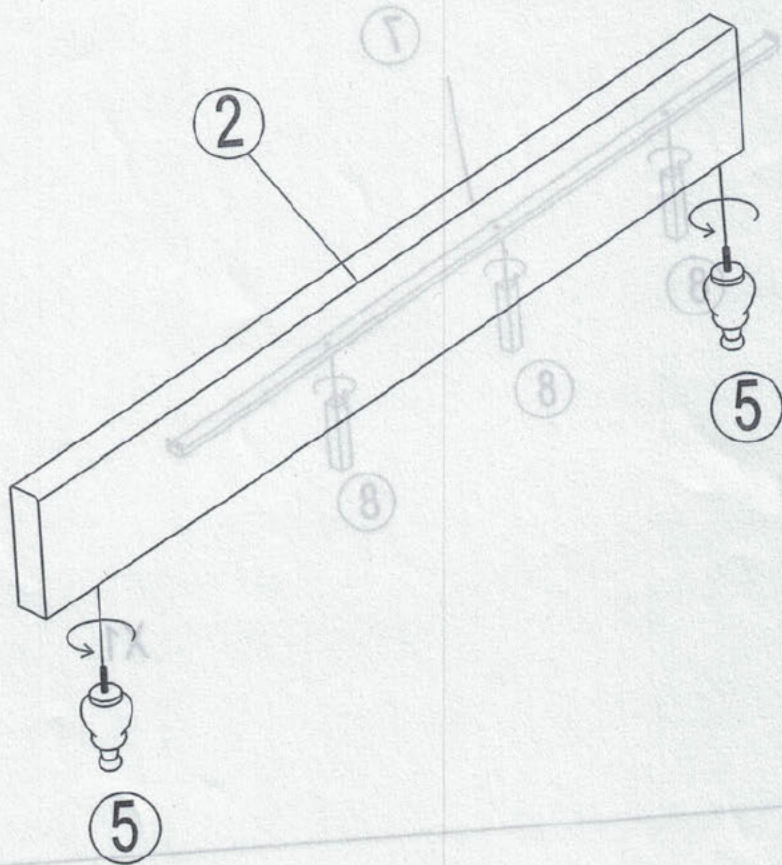
<p>① Headboard-1pc</p> 	<p>② Footboard-1pc</p> 	<p>③ Side Rail-2pcs</p> 	<p>④ HB Leg-2pcs</p> 	<p>⑤ FB Feet-2pcs</p> 
<p>⑥ Slats-13pcs</p> 	<p>⑦ Support rail-1pc</p> 	<p>⑧ Support leg-3pcs</p> 	<p>⑨ Crossband-1pc</p> 	<p>⑩ Connection Strap=2pcs</p> 

HARDWARE LIST:

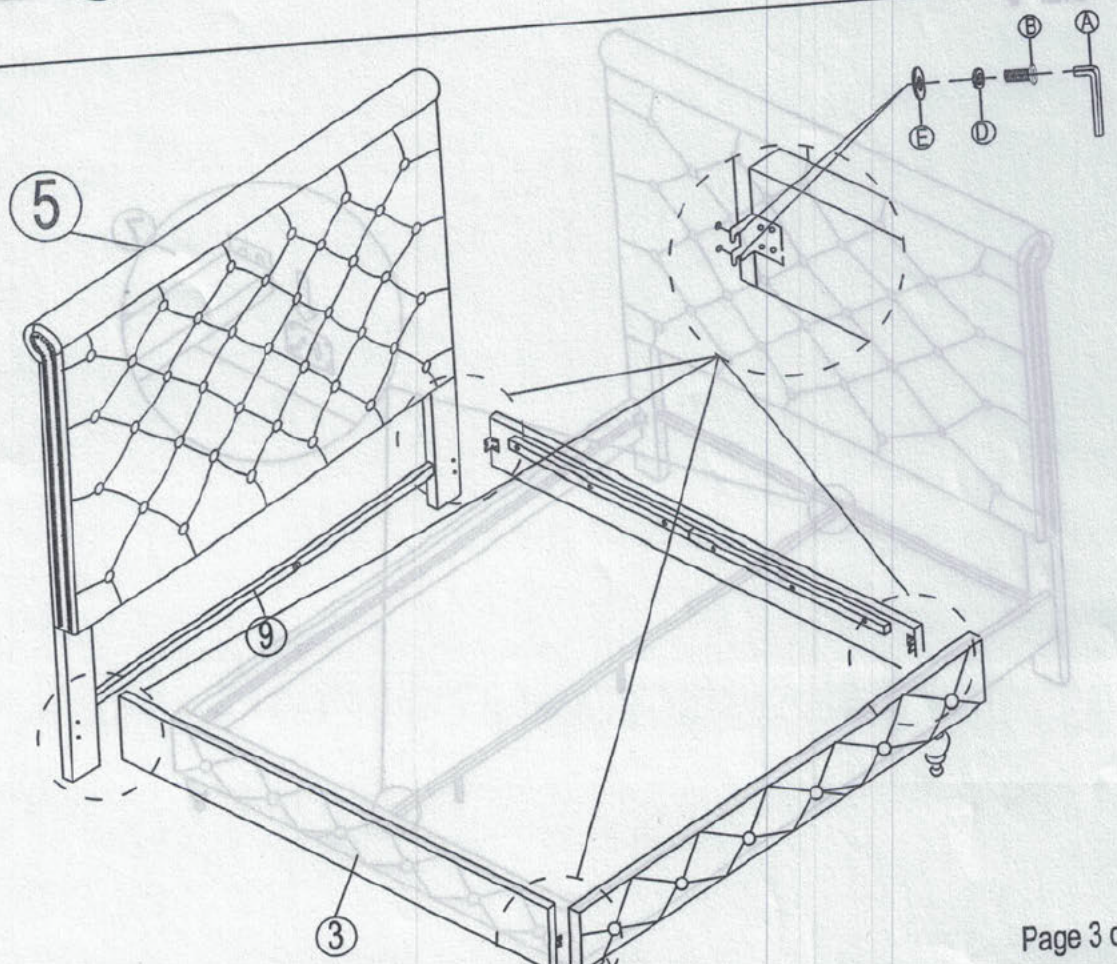
<p>Ⓐ Allen Key=1pc</p> 	<p>Ⓑ Bolt $\frac{5}{16}$"x1"=14pcs</p> 	<p>Ⓒ Bolt $\frac{5}{16}$"x2"=4pcs</p> 	<p>Ⓓ Spring Washer=18pcs</p> 
<p>Ⓔ Flat Washer $\frac{5}{16}$"x19=14pcs</p> 	<p>Ⓕ Flat Washer $\frac{5}{16}$"x22=4pcs</p> 	<p>Ⓖ screw #8x1-3/4"=26pcs</p> 	



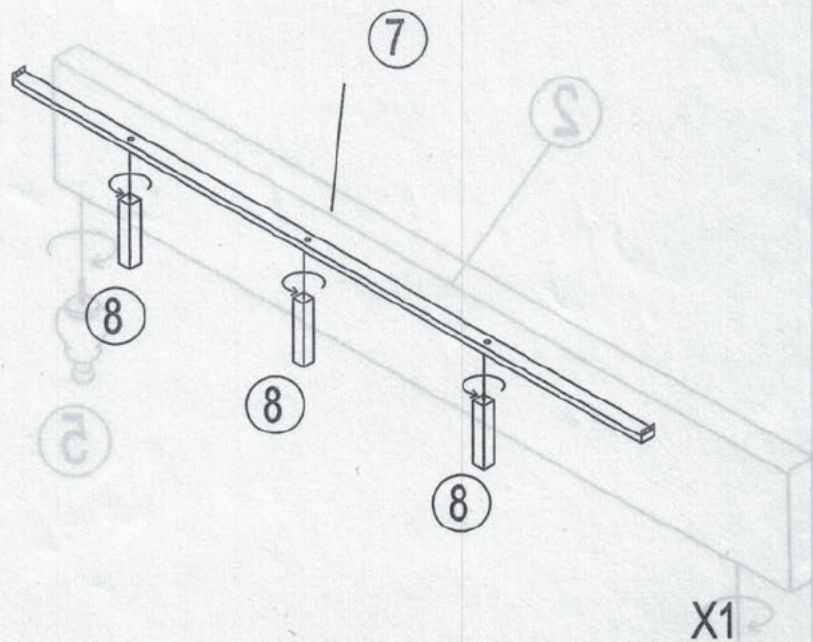
STEP 3



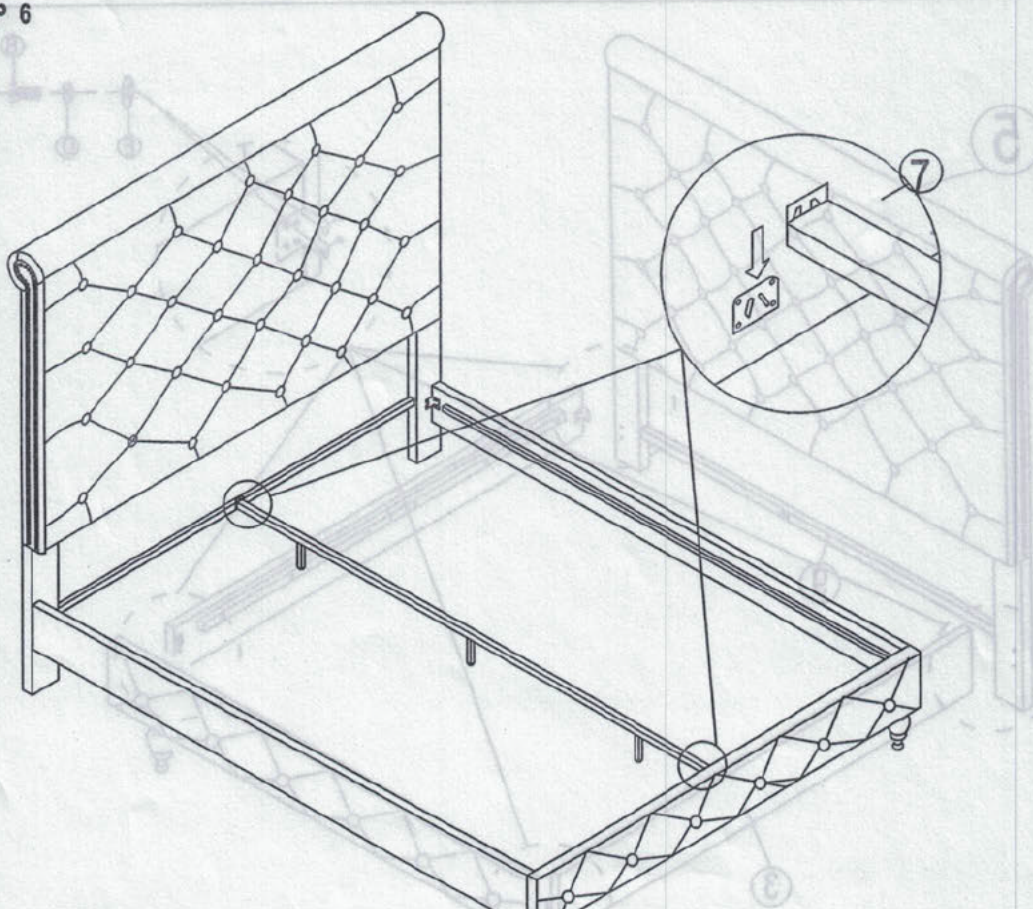
STEP 4



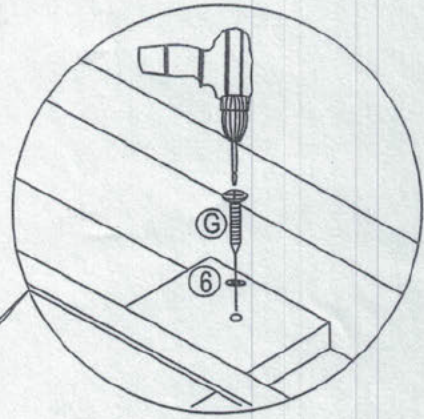
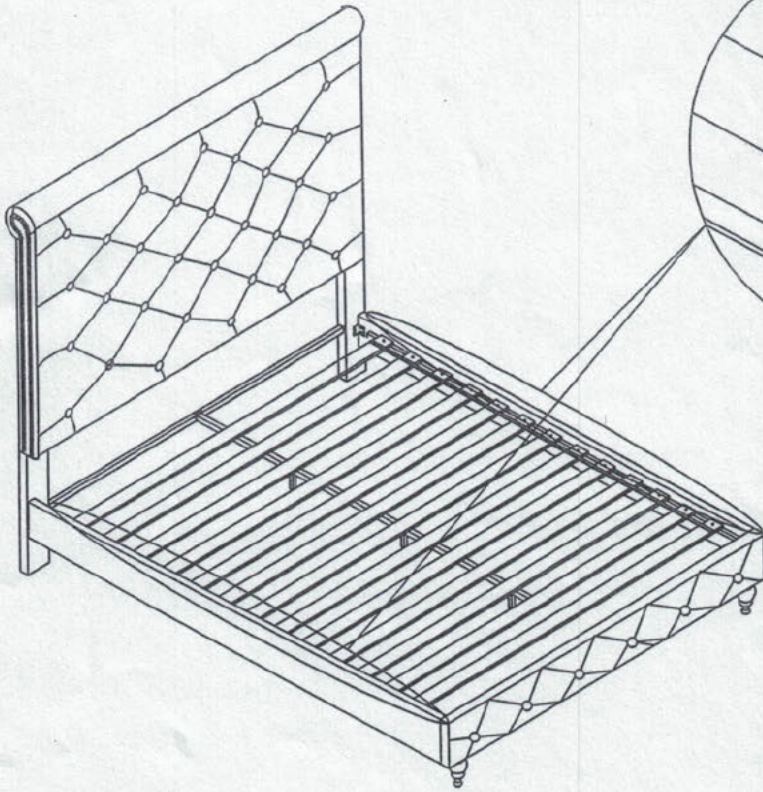
STEP 5



STEP 6



STEP 5



STEP 6

