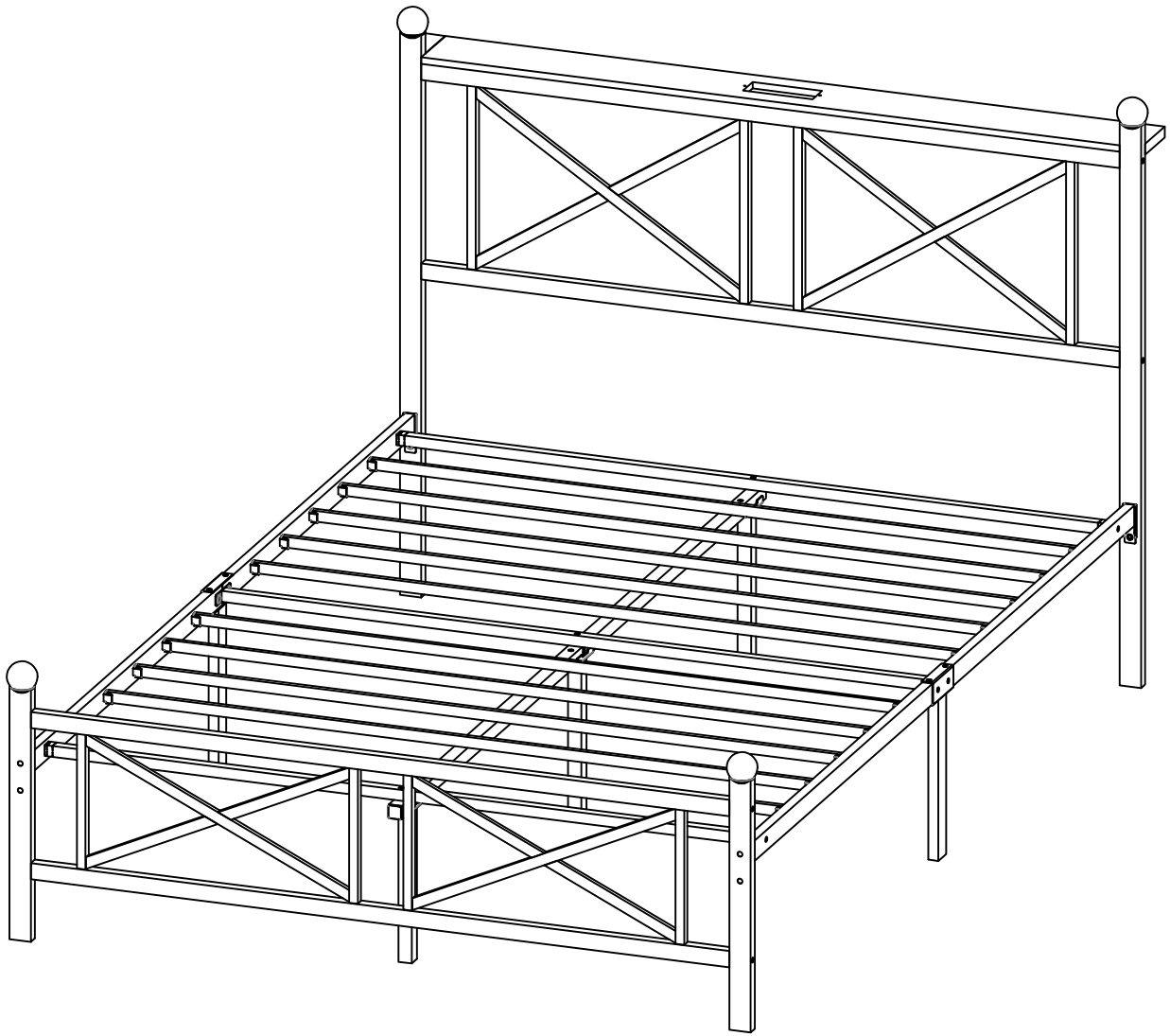
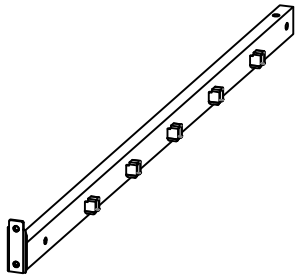


Bed Frames

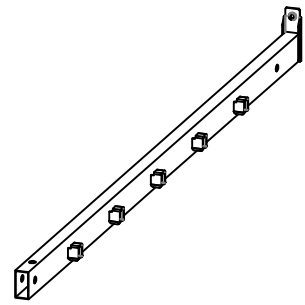


F/Q

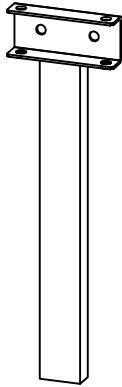
① x2



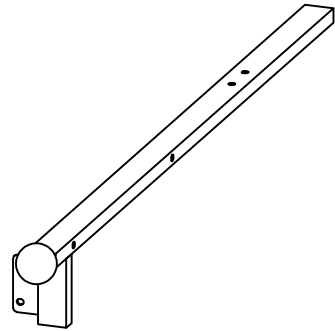
② x2



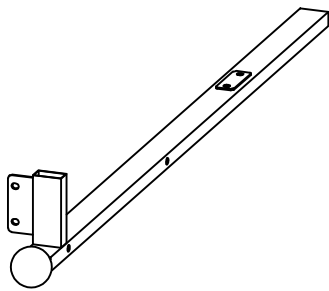
③ x2



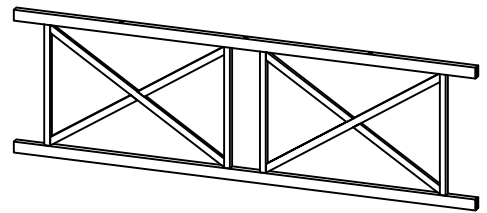
④ x1



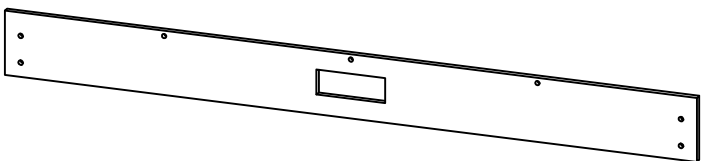
⑤ x1



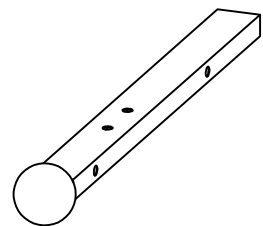
⑥ x1



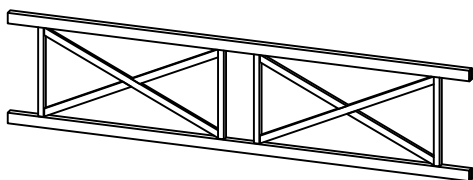
⑦ x1



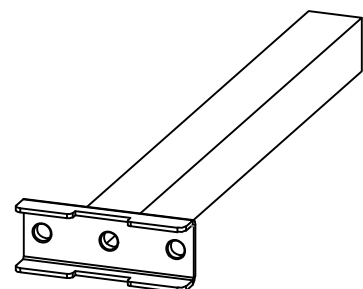
⑧ x2



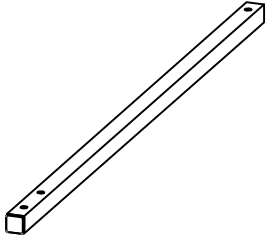
⑨ x1



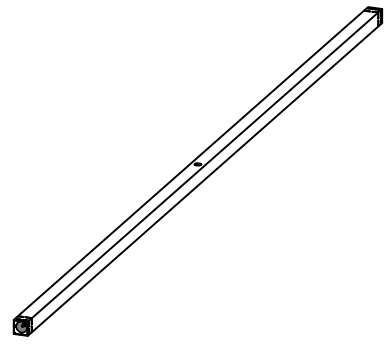
⑩ x3



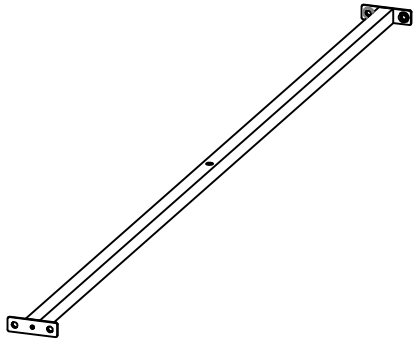
⑪ x2



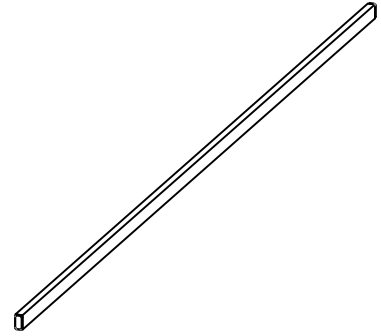
⑫ x2



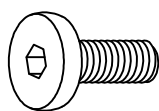
⑬ x1



⑭ x10

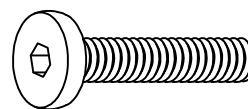


Ⓐ x 4+1



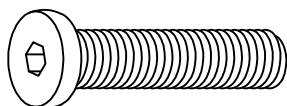
M6x10mm

Ⓑ x 3+1



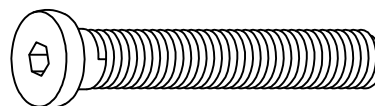
M6x38mm

Ⓒ x 16+1



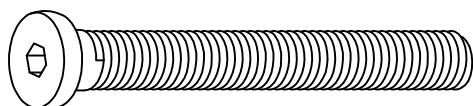
M8x35mm

Ⓓ x 8+1



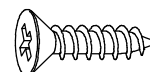
M8x50mm

Ⓔ x 11+1



M8x60mm

Ⓕ x 2+1



Ø4x10mm

Ⓖ x 1



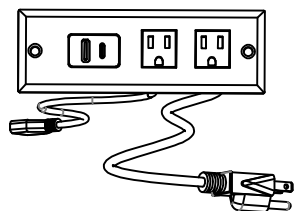
M4

Ⓗ x 1

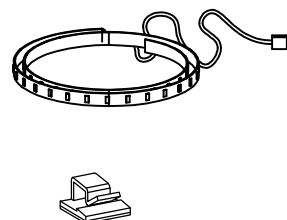


M5

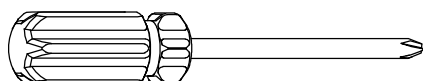
Ⓘ x 1



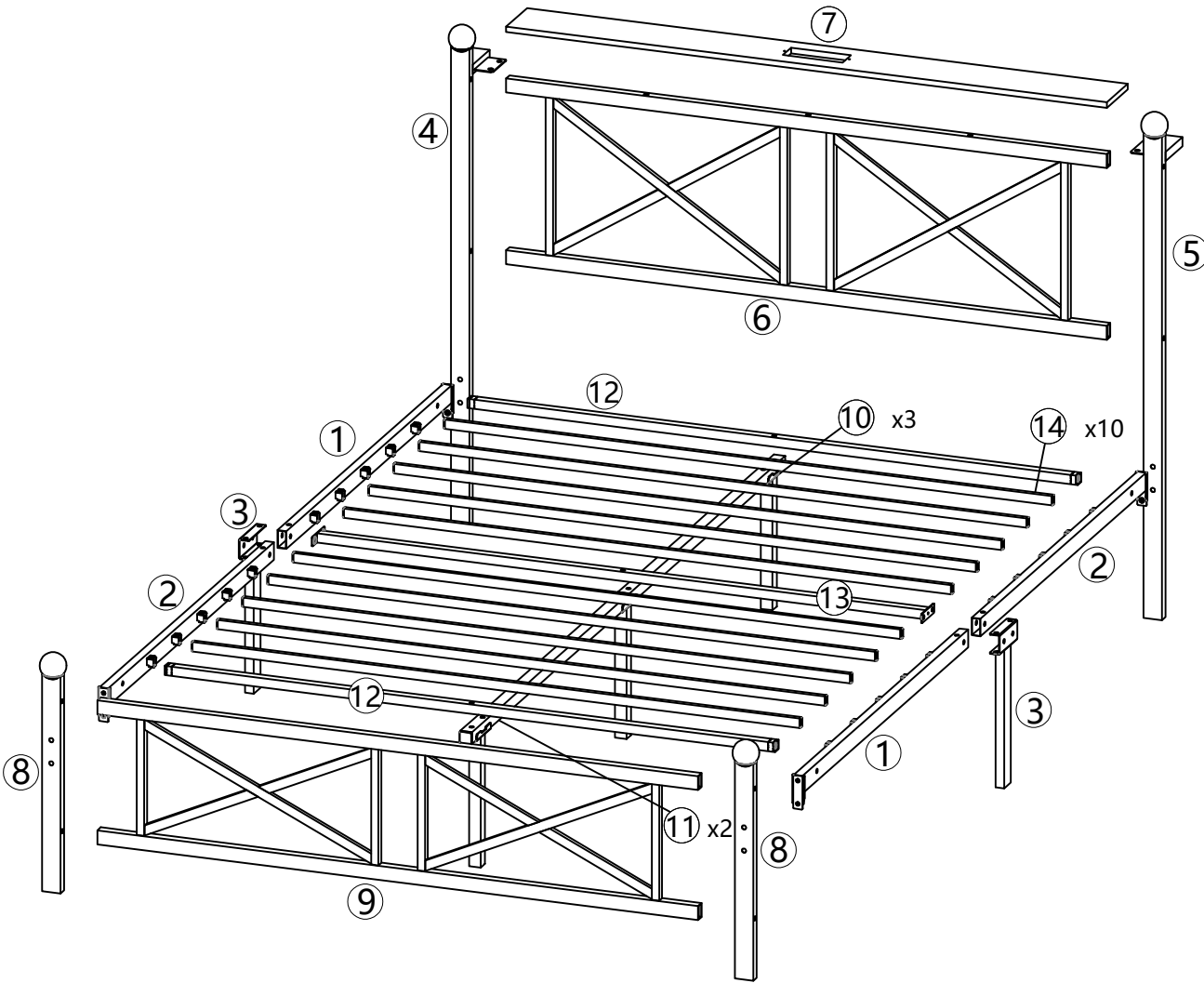
Ⓙ x 1



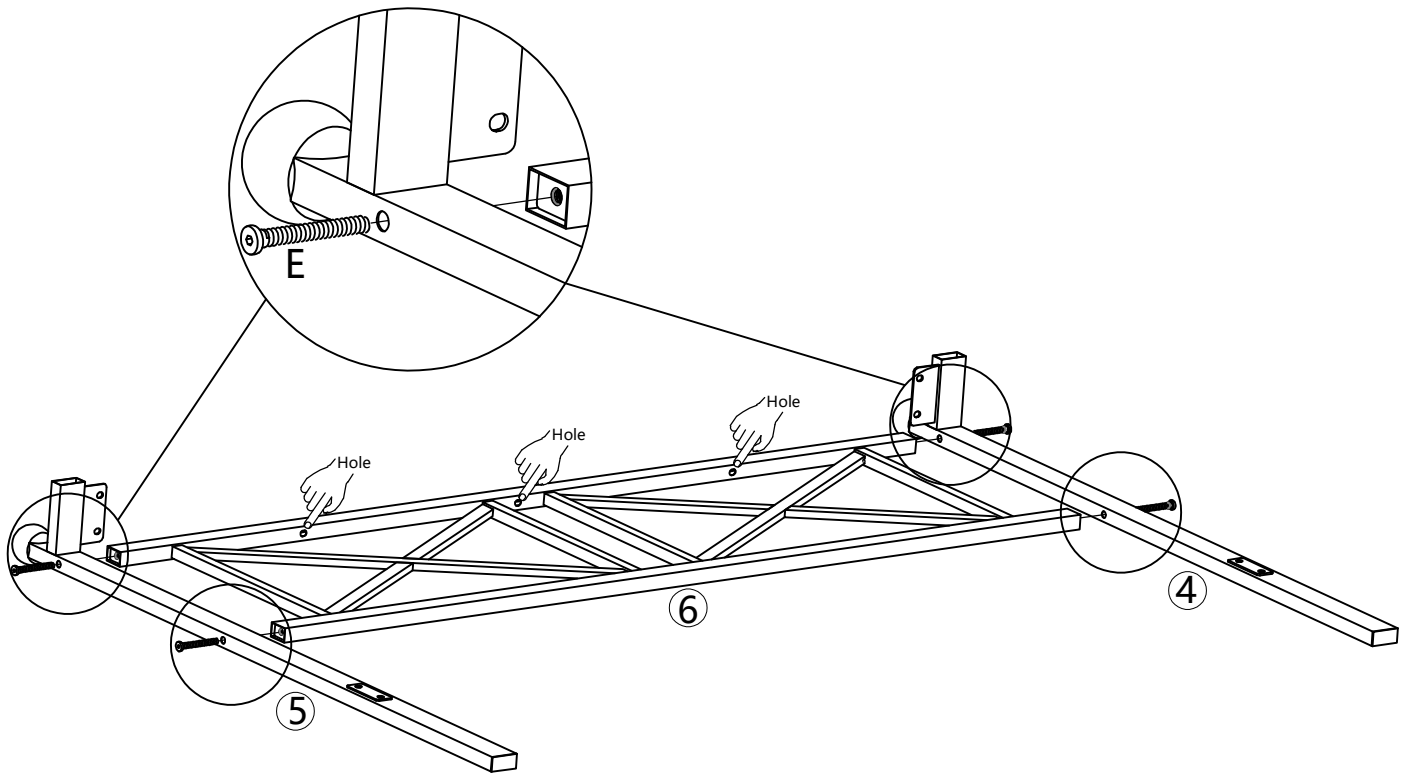
Ⓚ x 1



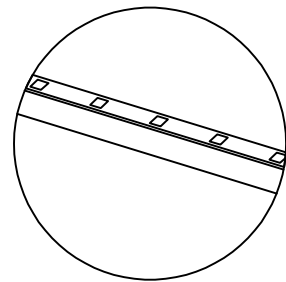
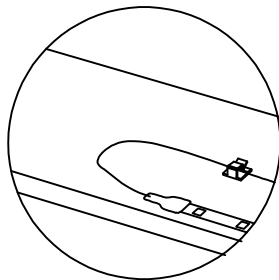
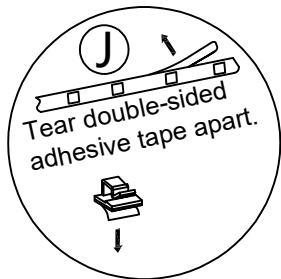
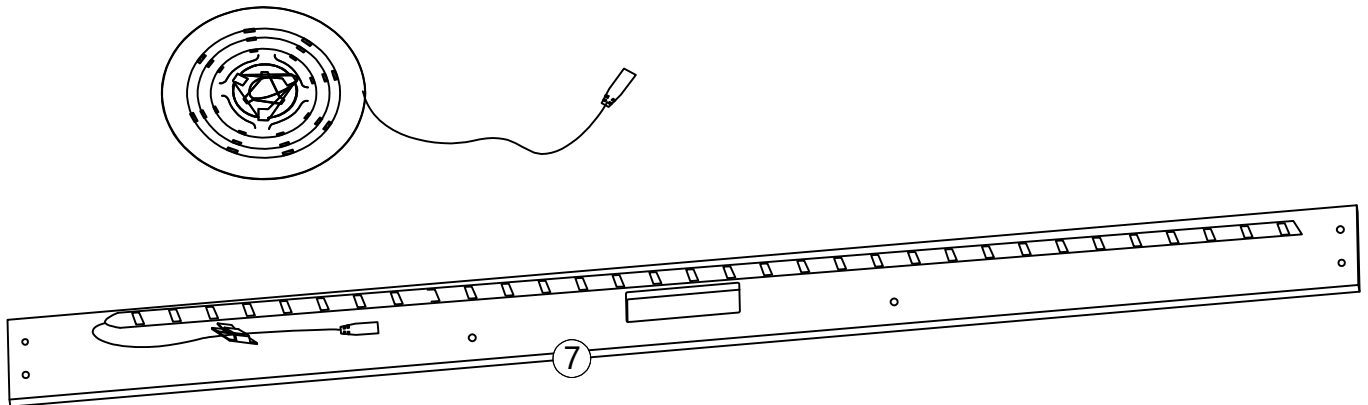
Part list



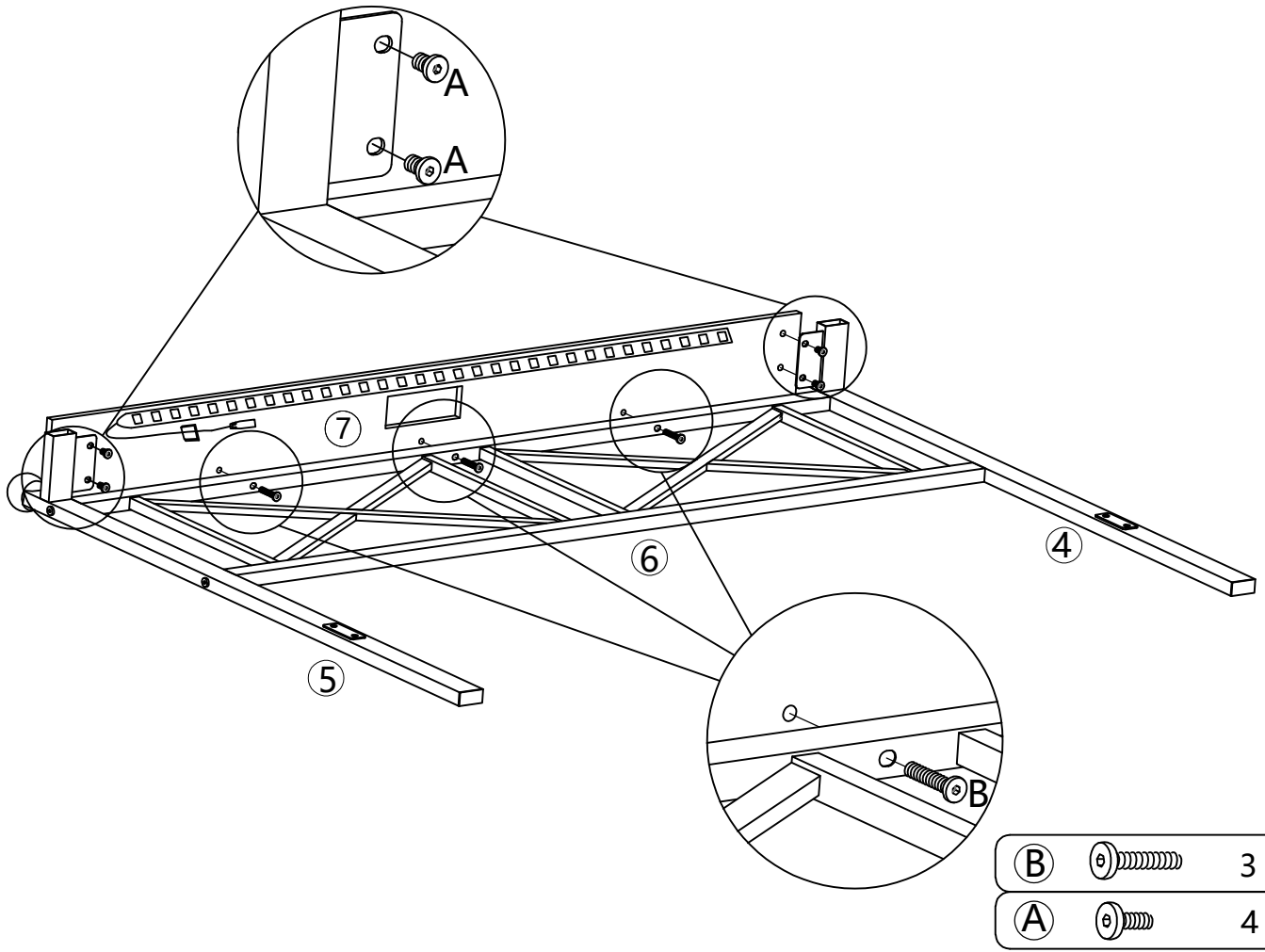
Step 1



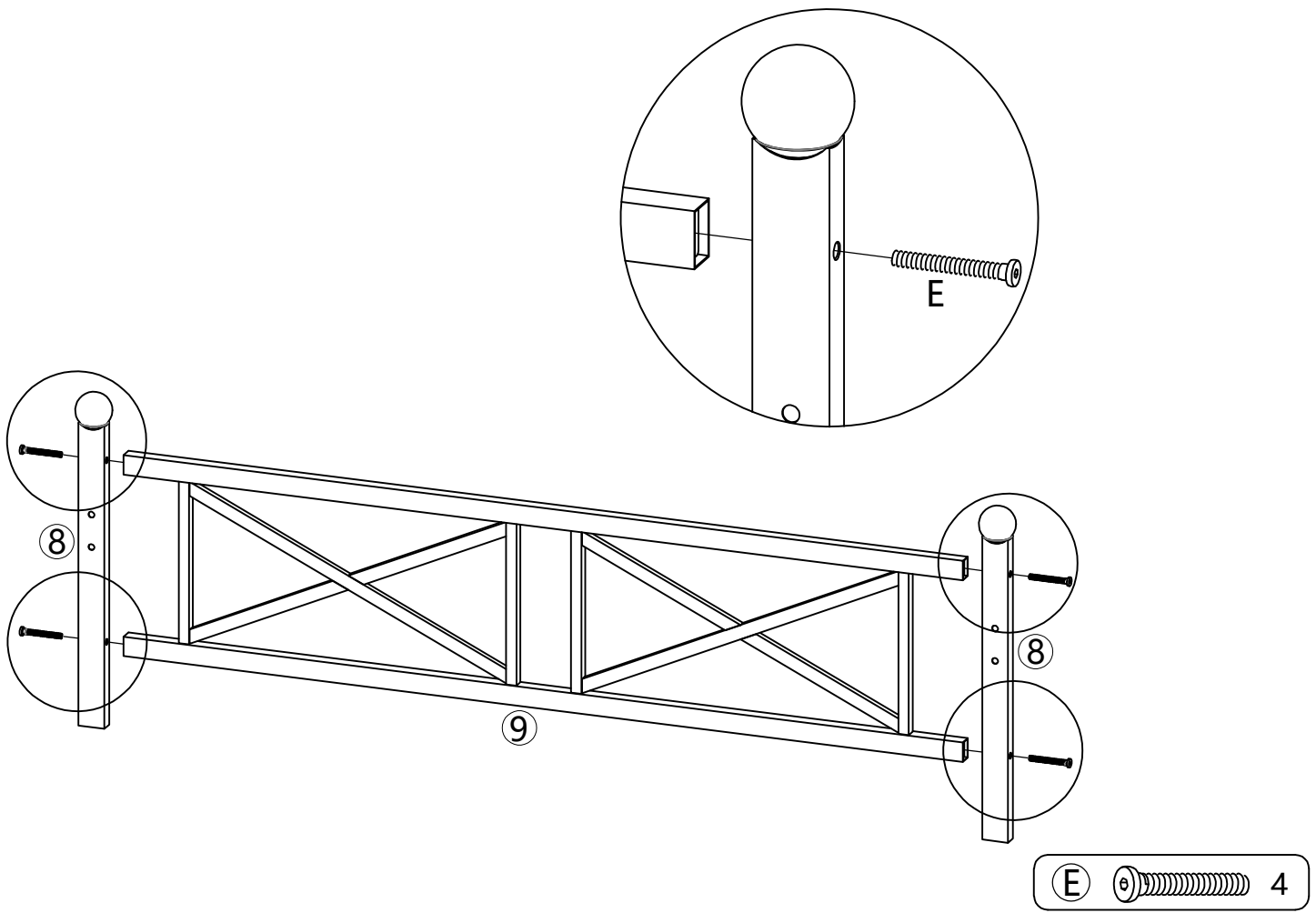
Step 2



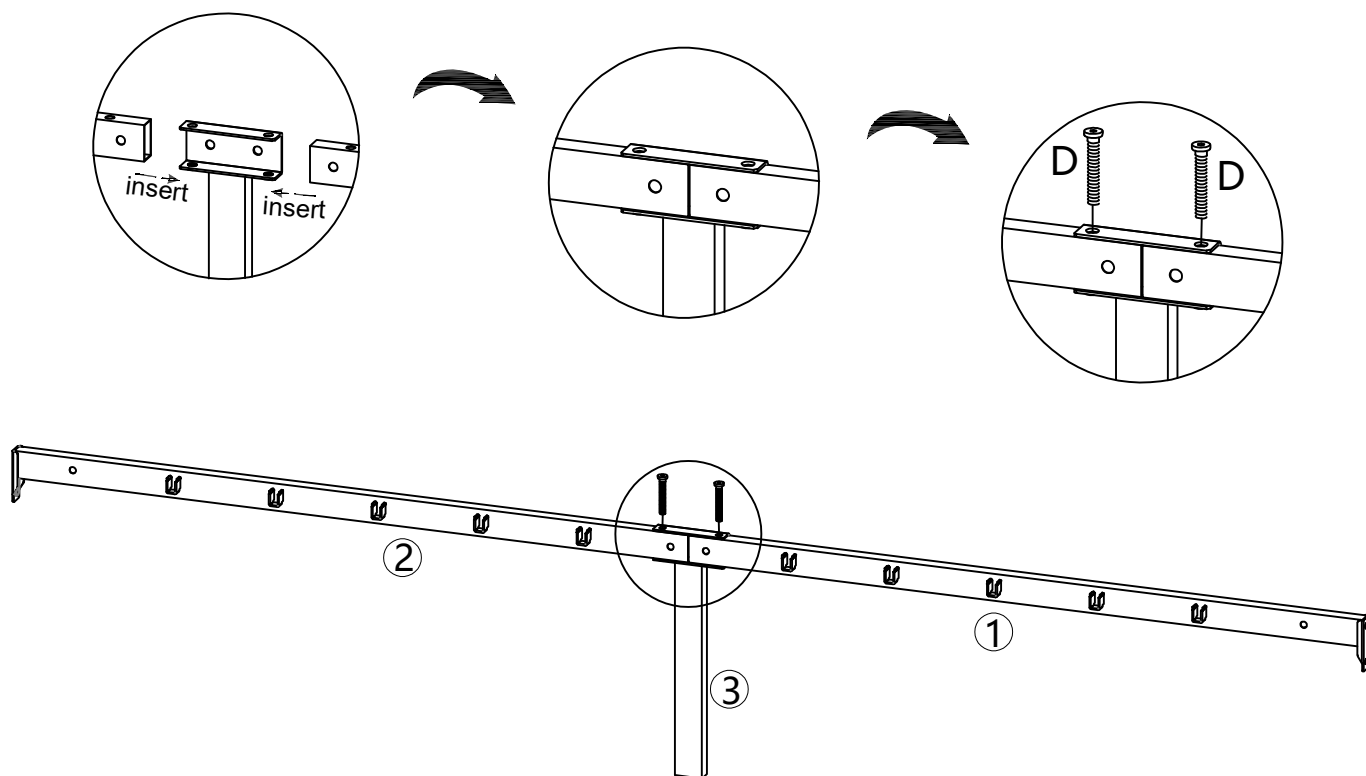
Step 3



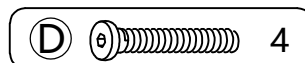
Step 4



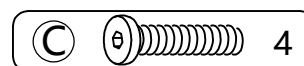
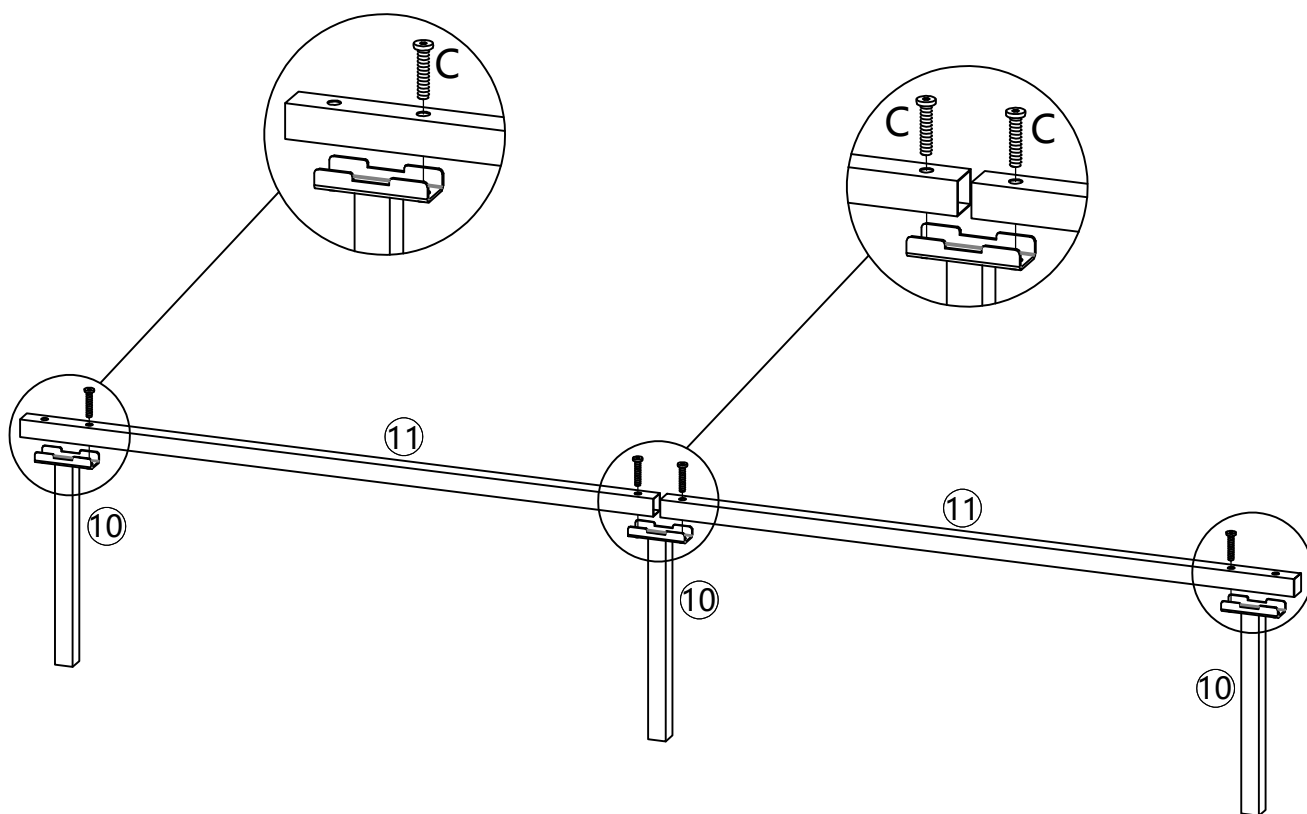
Step 5



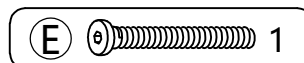
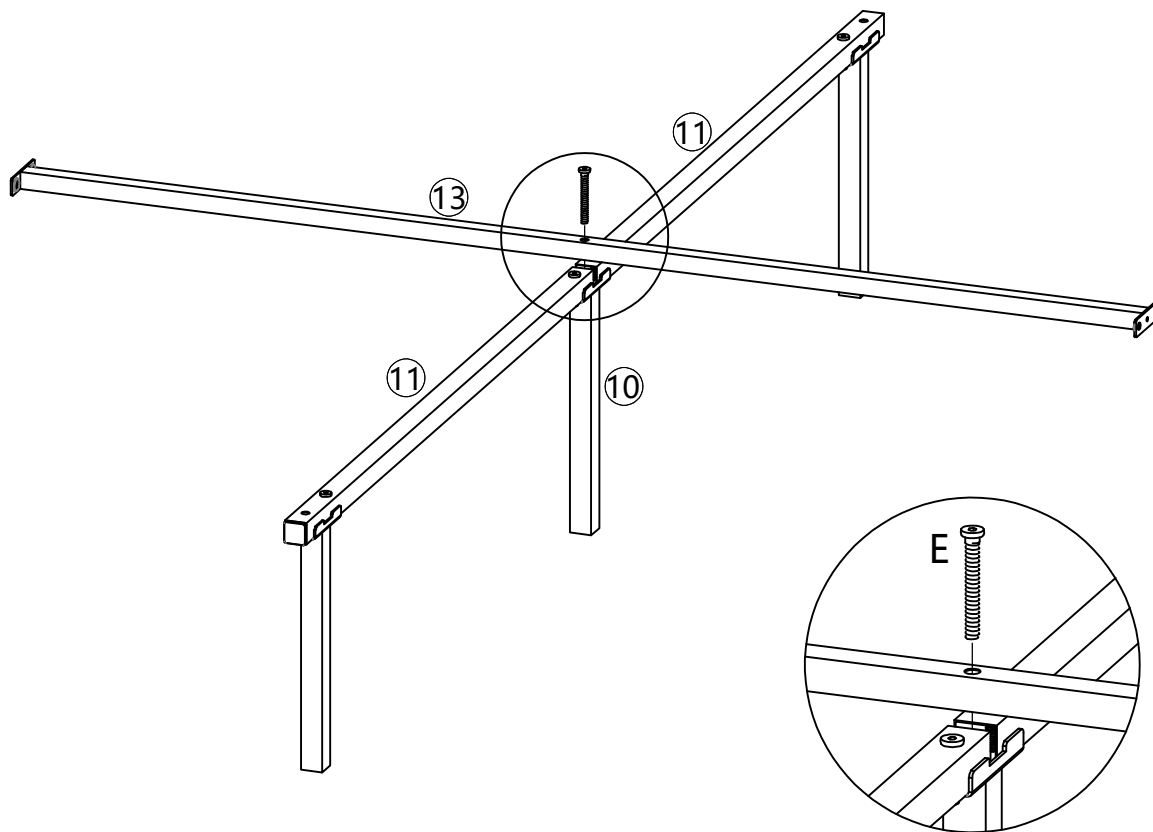
x 2



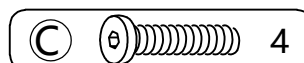
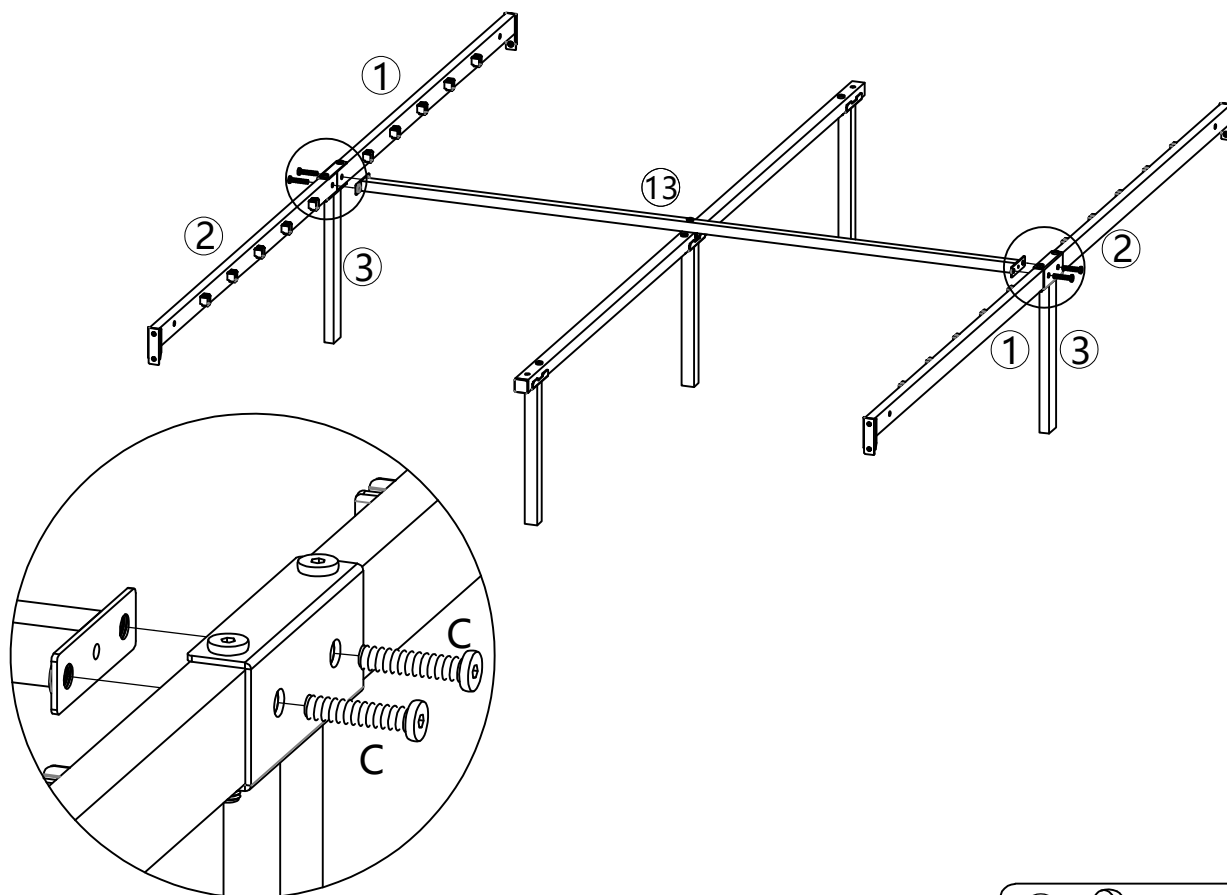
Step 6



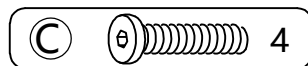
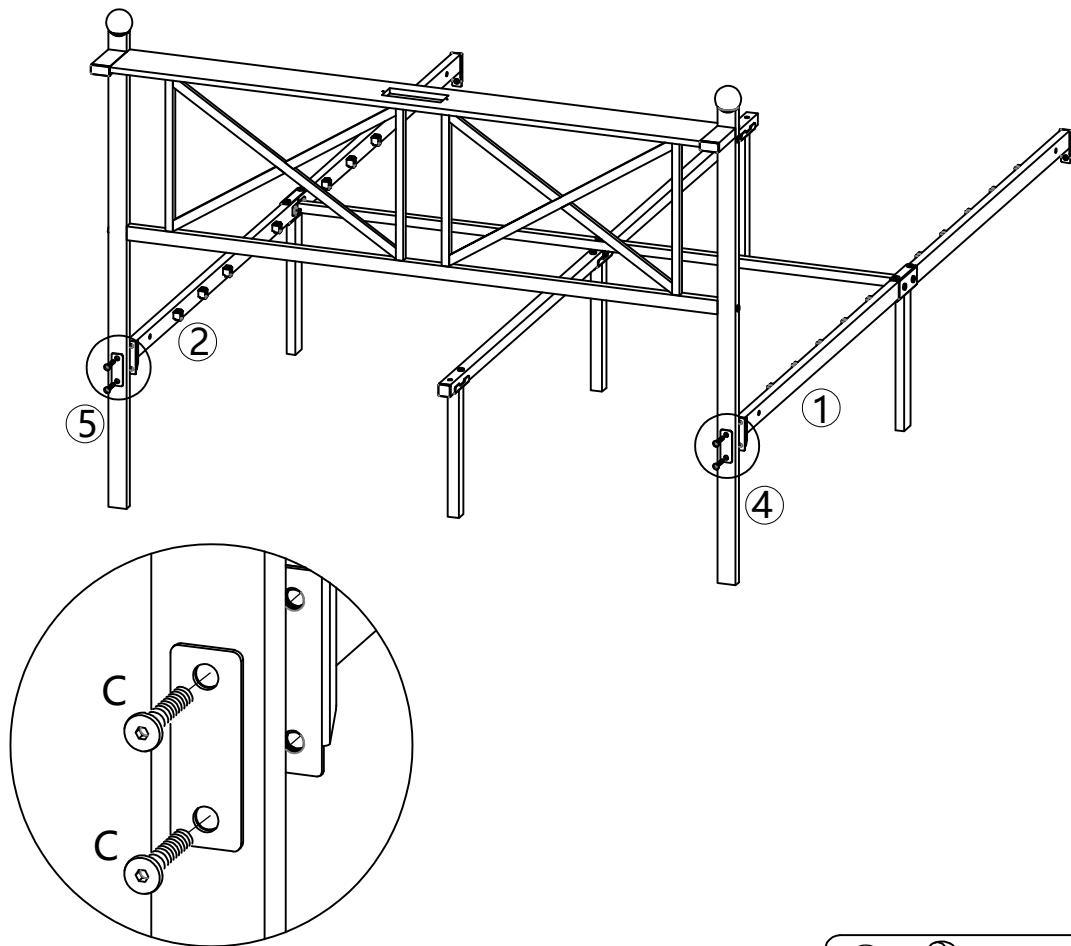
Step 7



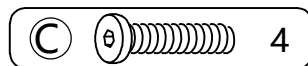
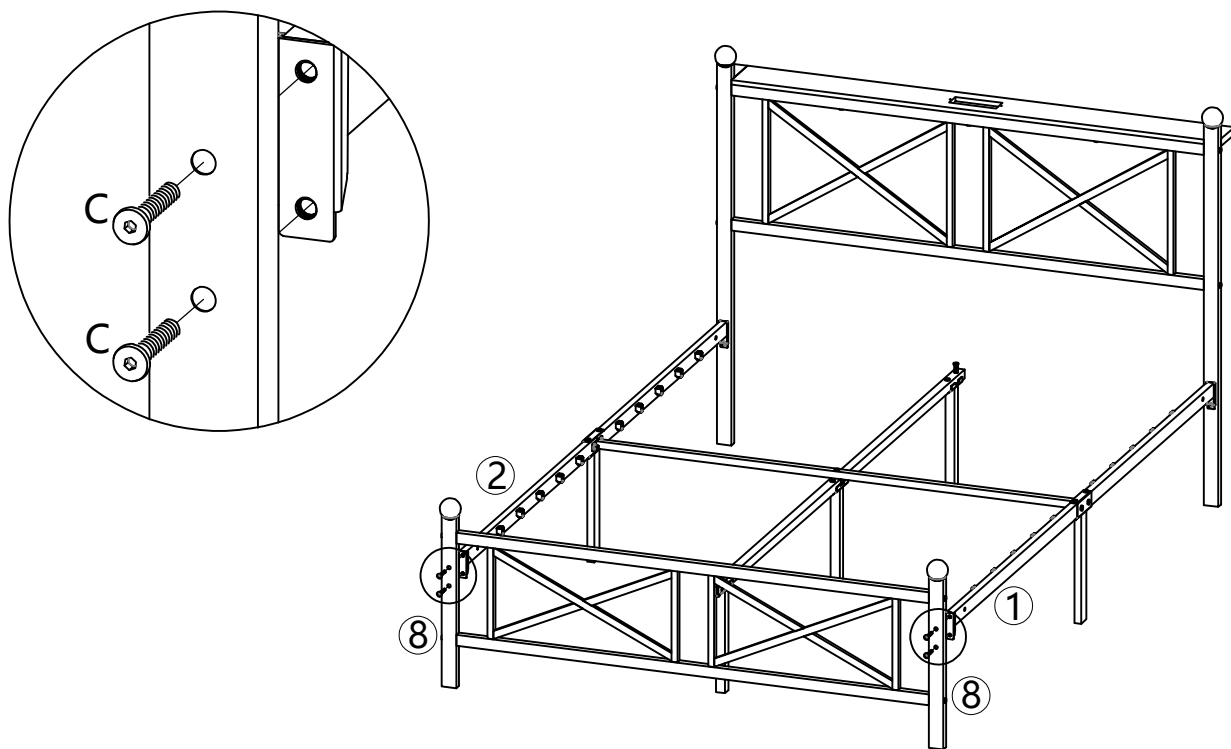
Step 8



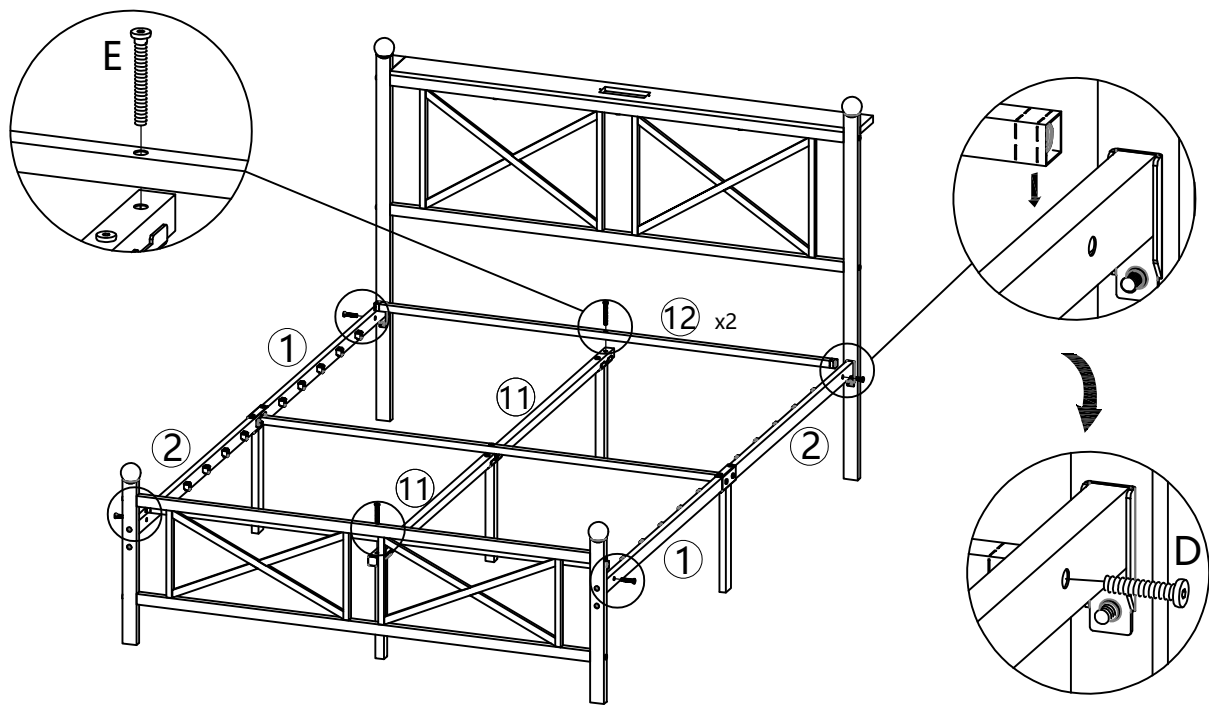
Step 9

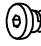



Step 10

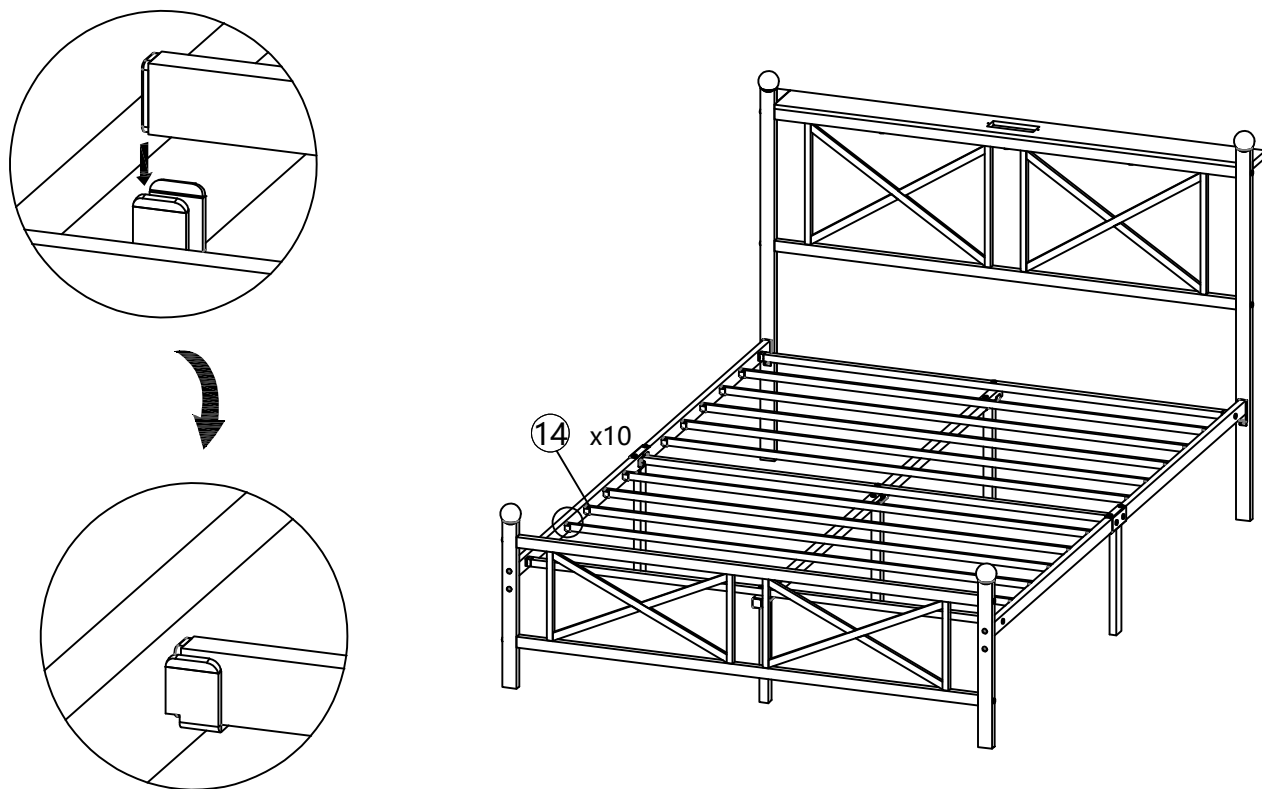


Step 11

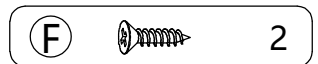
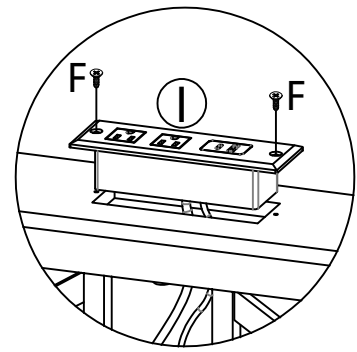
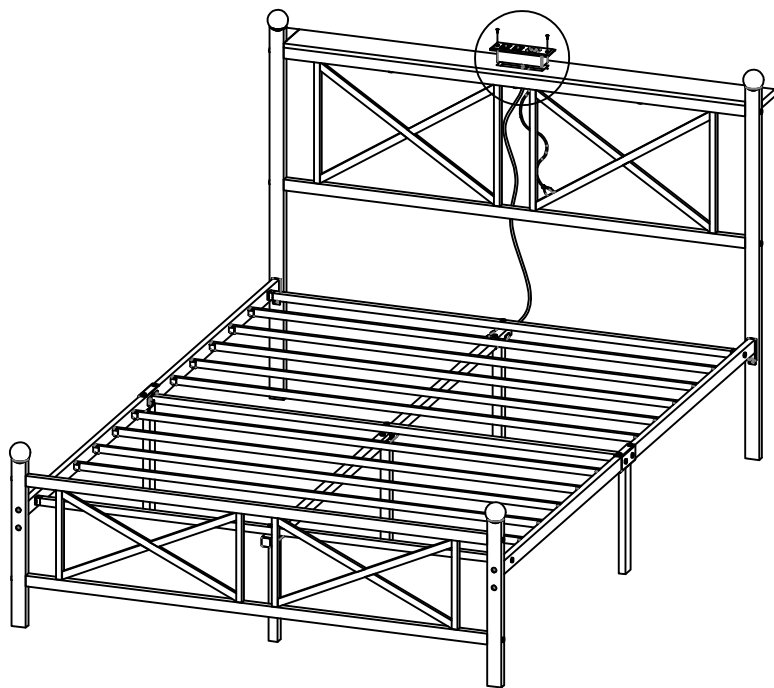


- | | | |
|---|---|---|
| E |  | 2 |
| D |  | 4 |

Step 12



Step 13



Step 14

