

# Chair Assembly Instructions

Your chair comes packaged in one box.

**DO NOT use any sharp objects to open plastic wrapped components as damage to product or components may result.**

Carefully remove all of the components from the packaging and set aside for assembly. Assemble on a soft surface to prevent scratching the finish.

Estimated Assembly Time in Minutes

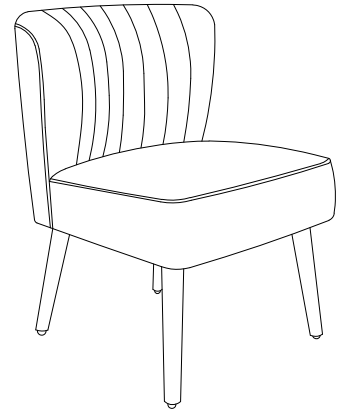
★ ☆ ☆  
<15 <45 60+

## Parts List

A 1 x Seat

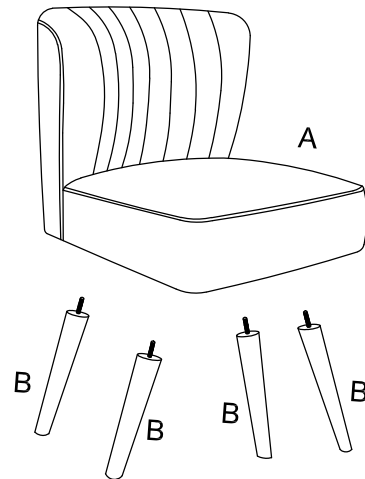
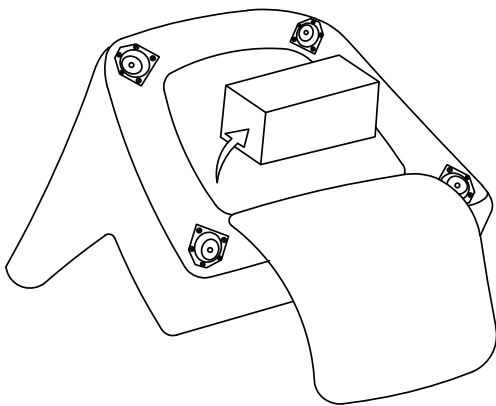


B 4 x Legs

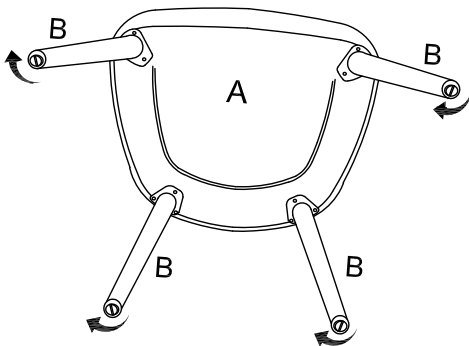


## Assembly

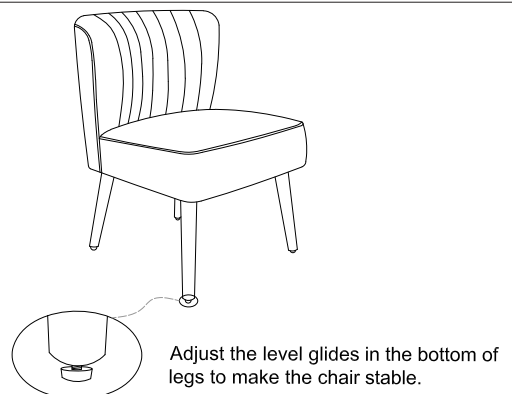
Step 1



Step 2



Step 3



Your style may differ from images. Care for your furniture by periodically tightening all legs.

About your furniture piece:

- Softening of foam is natural and will happen over time with use.
- Fabric will fade or discolor in direct sunlight. Minimize exposure to direct sunlight to extend the life of your furniture.
- Wood grain, knots, streaks, and color variation occur naturally in wood and are not considered defects.

**CAUTION:** Tighten all components securely before use. Failure to do so may result in personal injury.