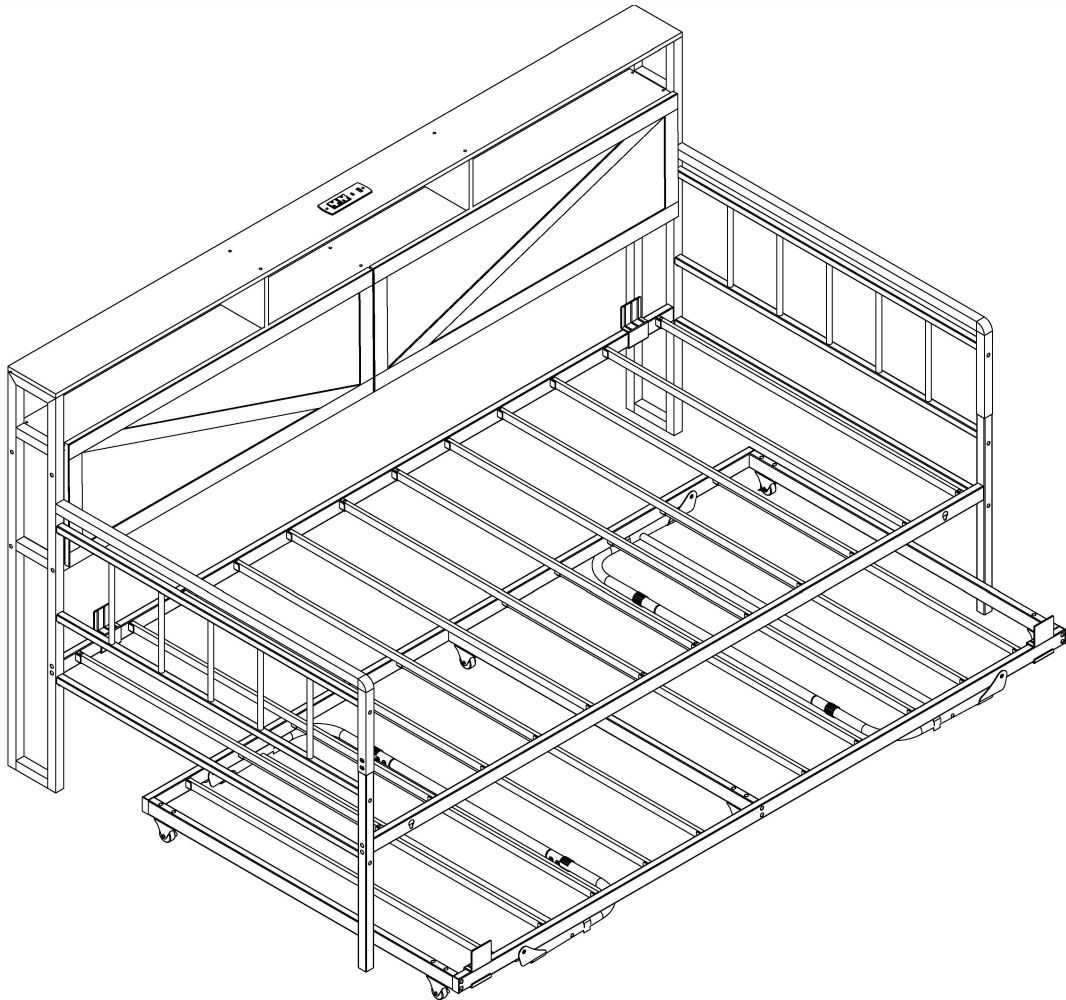


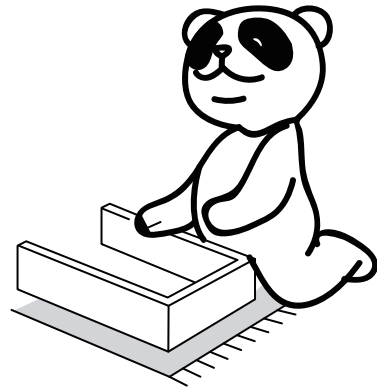
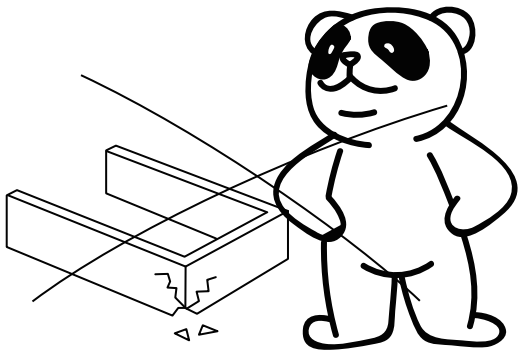
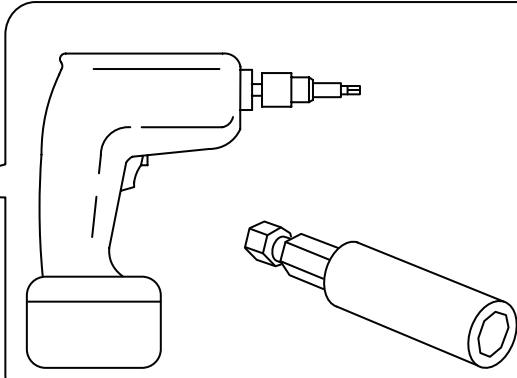
To our customer:
Thank you for your purchase!
Your order ships in 2 separate
boxes (Box A and Box B). If
you receive only one box,
please don't worry — the
other is on the way.



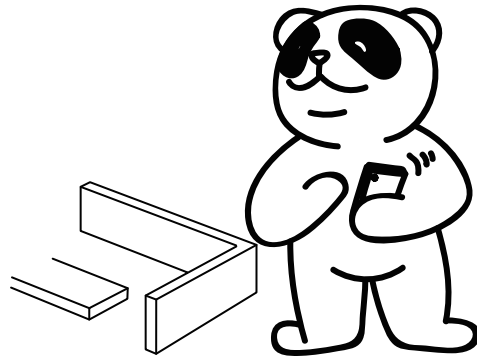
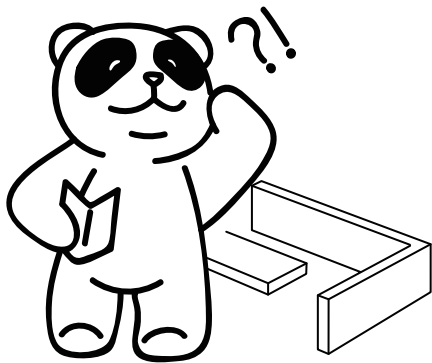
CAUTION:When tightening the screws,tighten sequentially.
Do not tighten any screws fully and then towards the next one.
When every part is OK,then tighten all the screws.



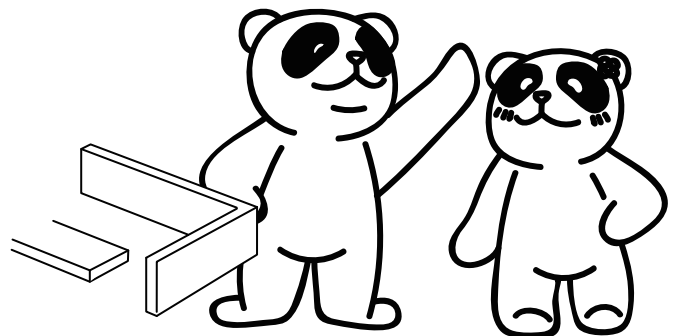
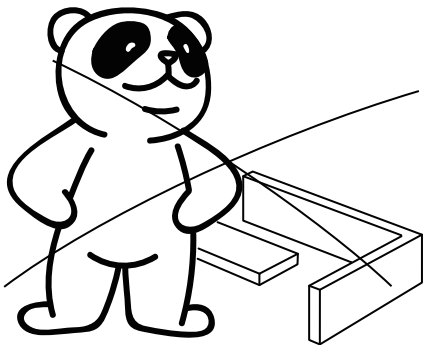
Version : 2.0



Violent installation is prohibited



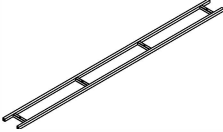
Please call if you need help



Multi-person cooperation is recommended

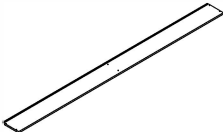
Assembly Instruction

BOX-A



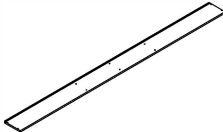
2

x1



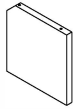
3

x1



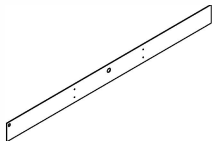
7

x1



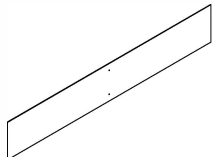
8

x2



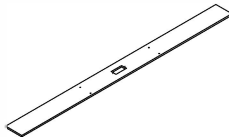
9

x1



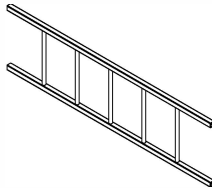
10

x1



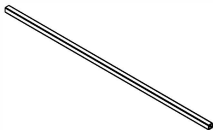
11

x1



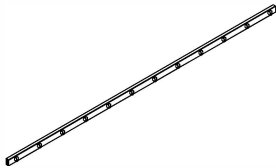
17

x2



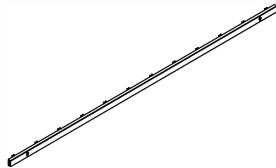
18

x2



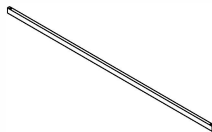
19

x1



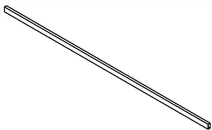
20

x1



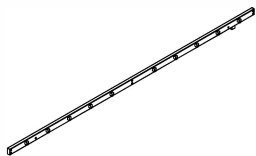
21

x4



22

x18



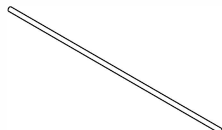
23

x1



24

x1

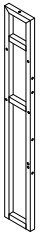


28

x2

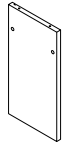
Assembly Instruction

BOX-B



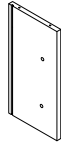
1

x2



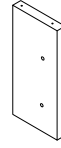
4

x1



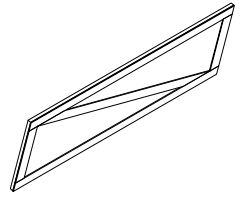
5

x1



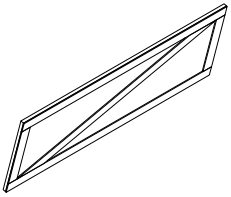
6

x1



12

x1



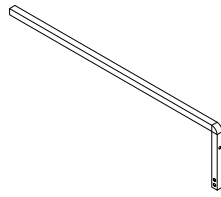
13

x1



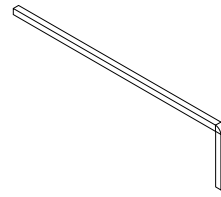
14

x2



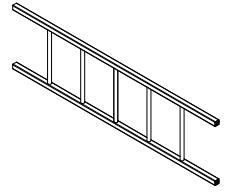
15

x1



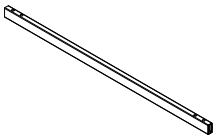
16

x1



17

x2



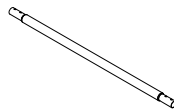
25

x3



26

x5



27

x2



29

x2



30

x2



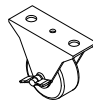
31

x4



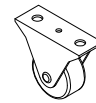
32

x4



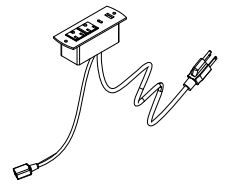
33

x4



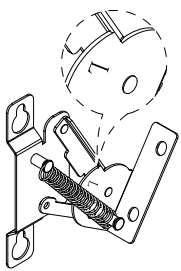
34

x2



35

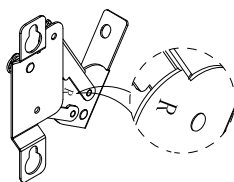
x1



Left

36

x2



Right

37

x2

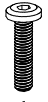
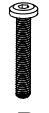
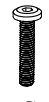










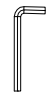
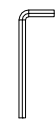


38

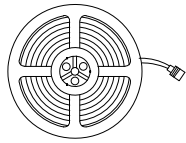
x4

Assembly Instruction

Hardware parts - (BOX-B)

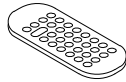
									
A	B	C	D	E	F	G	H	I	J
M8*40 x20	M6*45 x30	M6*35 x10	M6*28 x4	M6*10 x22	M6*15 x16	M5*25 x8	φ 6 x30	M6*20 x4	x1
									
K	L	M	N	O					
φ 3*12 x2	∅5*35 x26	M6*25 x2	#3 x1	#4 x2					

BOX-B



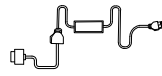
x1

light bar



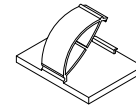
x1

Remote control



x1

Controller wire

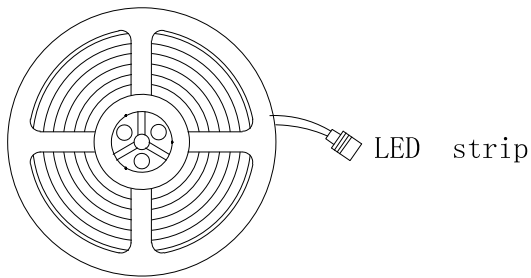


x5

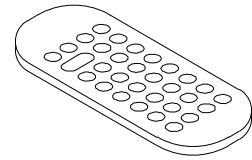
LED strip with clips

Assembly Instruction

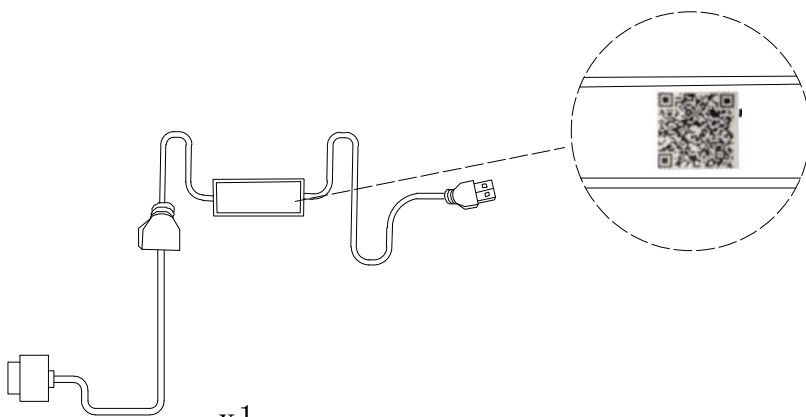
LED light strip electronic accessories list



x1
light bar

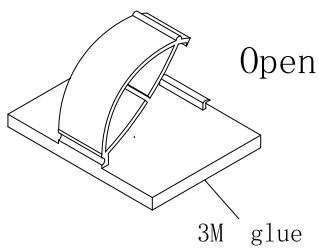


x1
Remote control

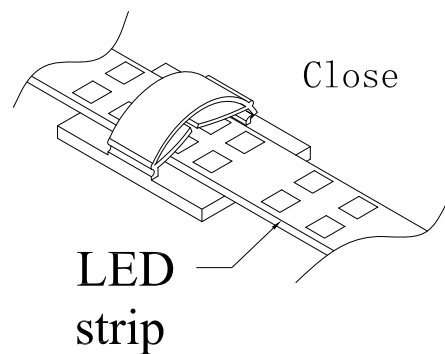


x1
Controller wire

There is a two-dimensional code at the position of the power line. Scanning can download the APP for the control light



x5
LED strip with clips

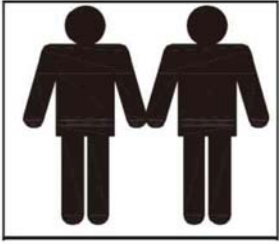


LED strip

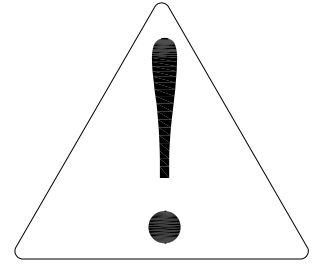
Assembly Instruction

Note:

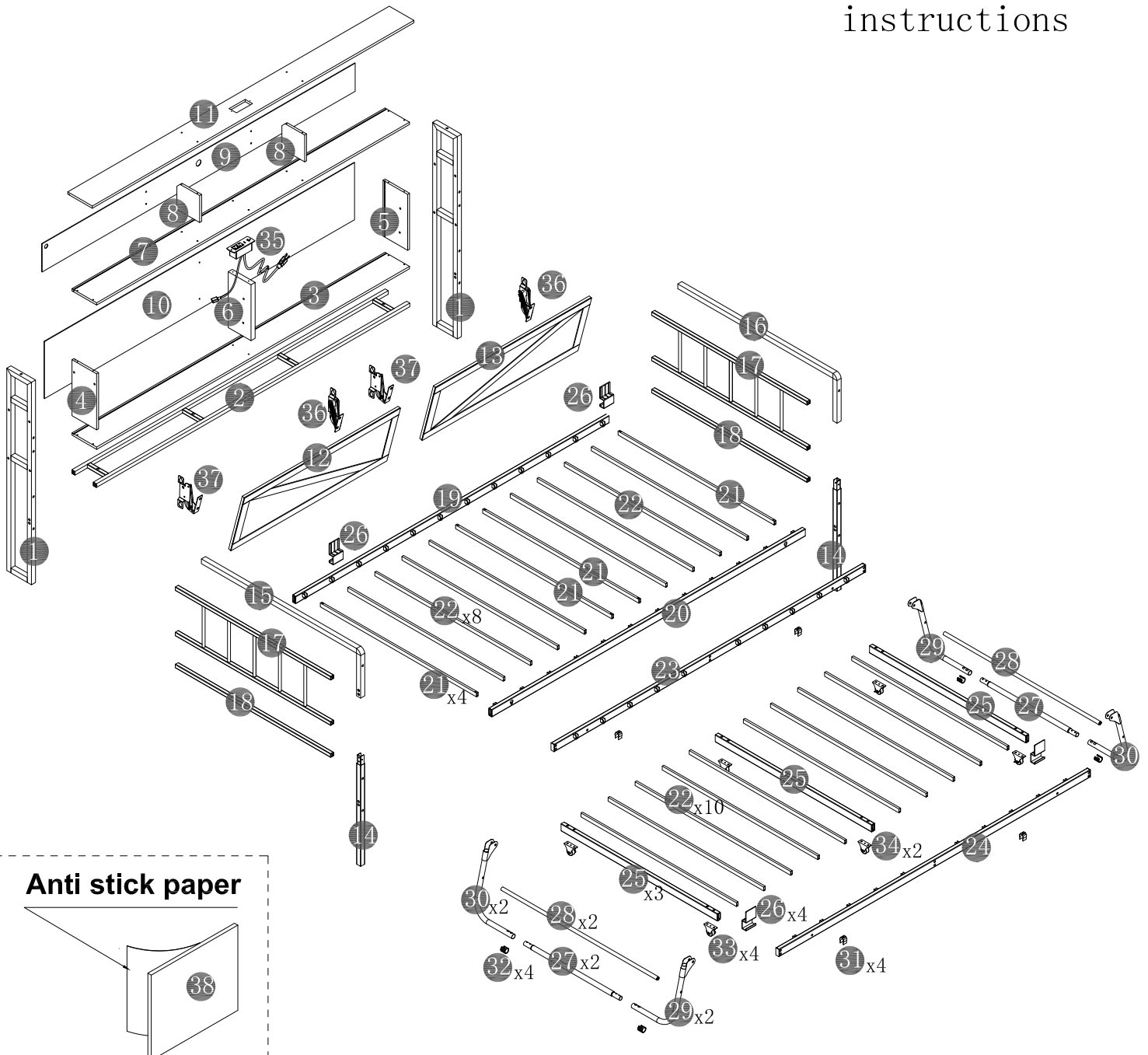
1. should be assembled on flat ground to keep balance.
2. Before completing the installation, do not tighten the screws.



It needs at least two people to install.

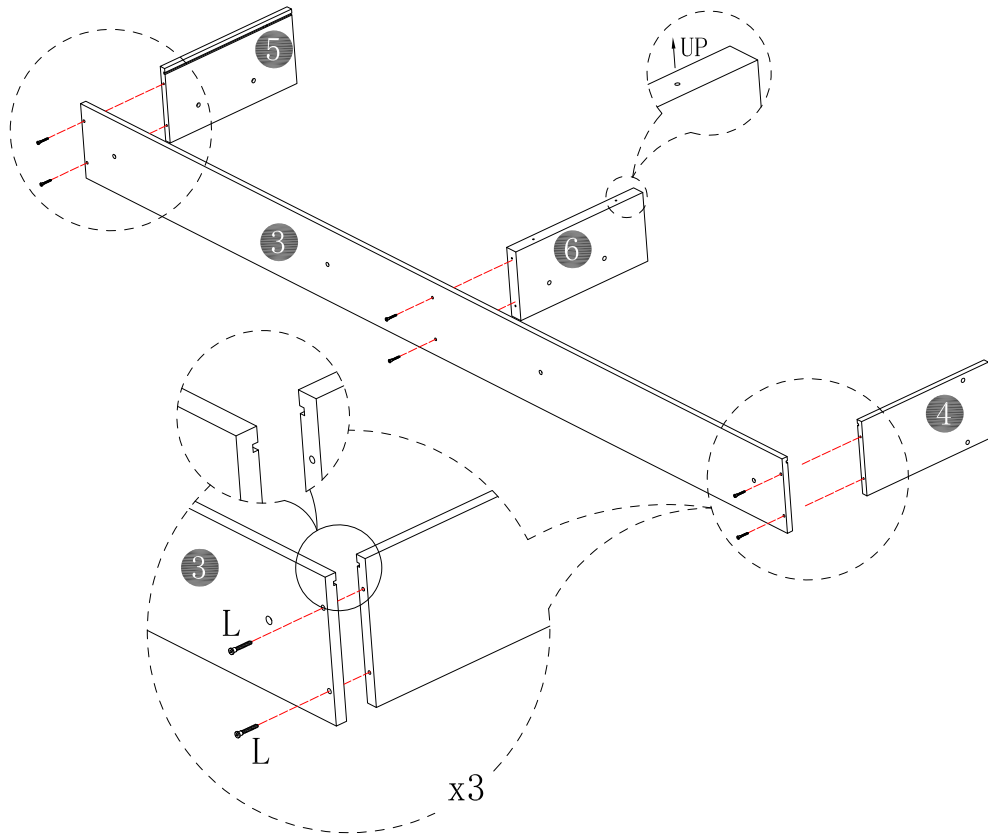


Before starting the assembly, you must read the whole manual and follow the instructions



Assembly Instruction

1



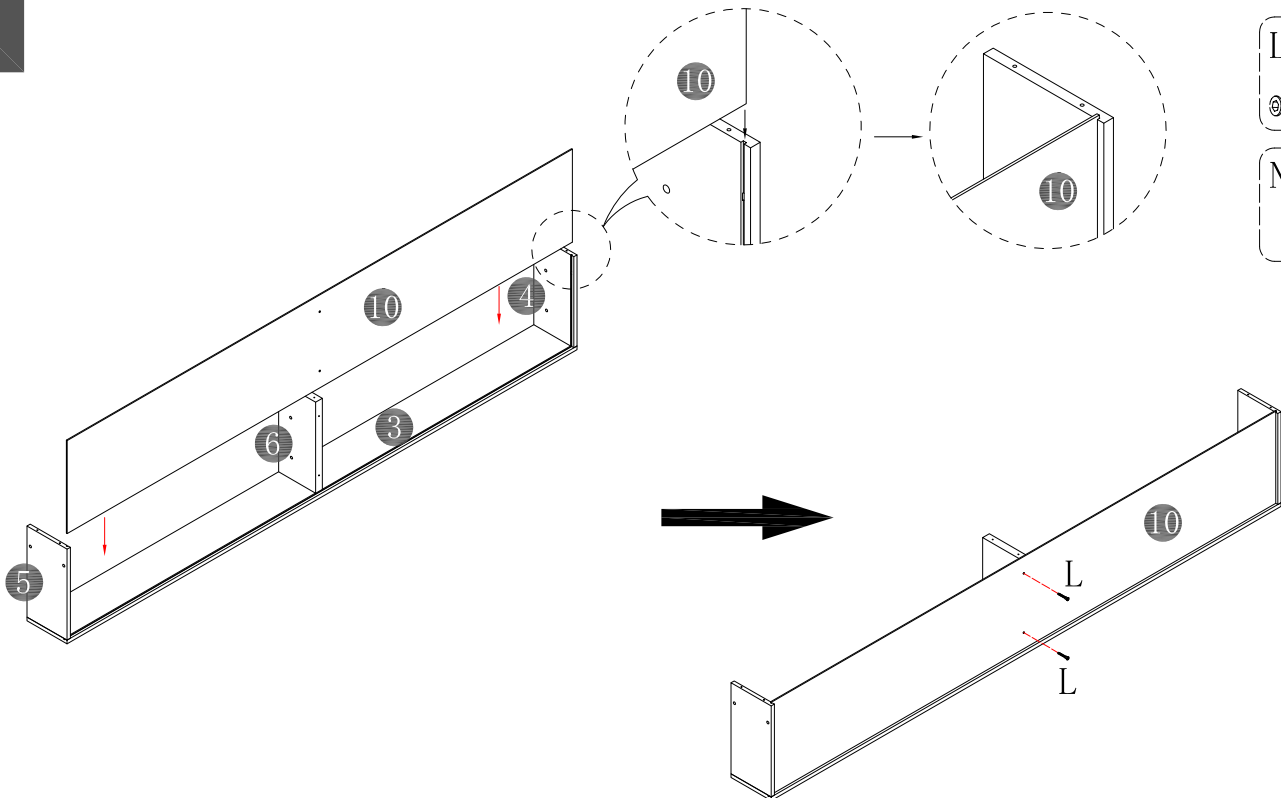
L $\phi 5 \times 35$

☉ x6

N. #3

└ x1

2



L $\phi 5 \times 35$

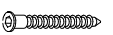
☉ x2


N. #3

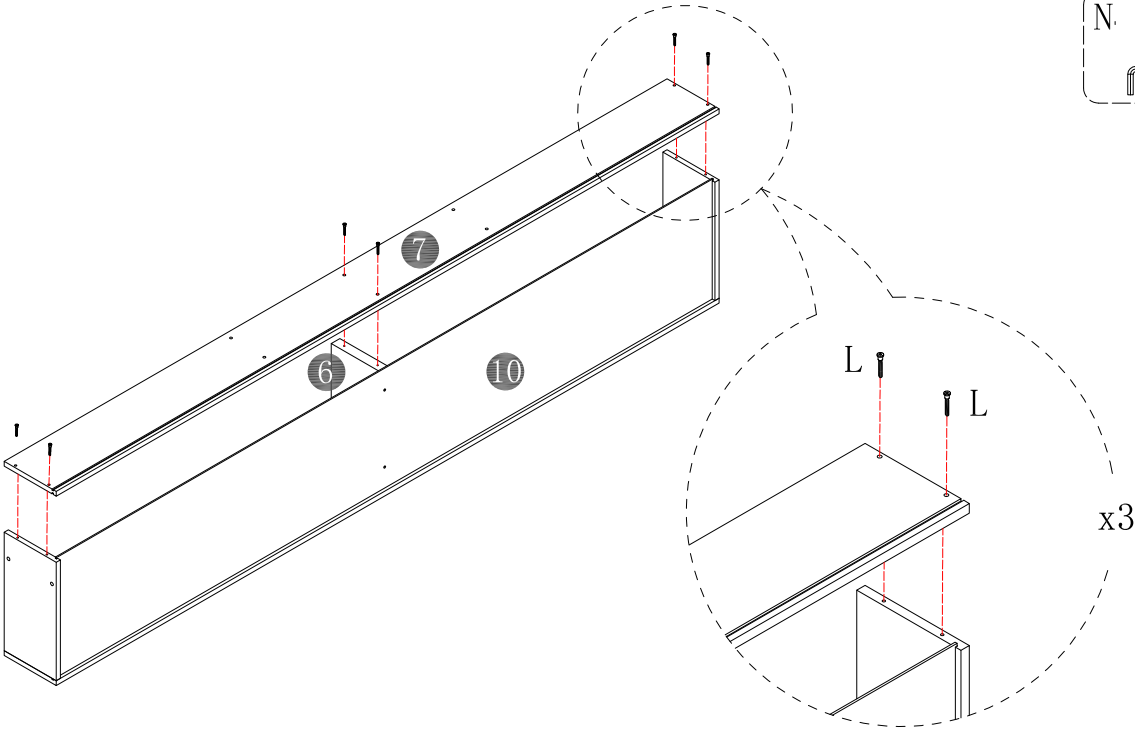
└ x1

Assembly Instruction


3


L $\phi 5*35$
 x6

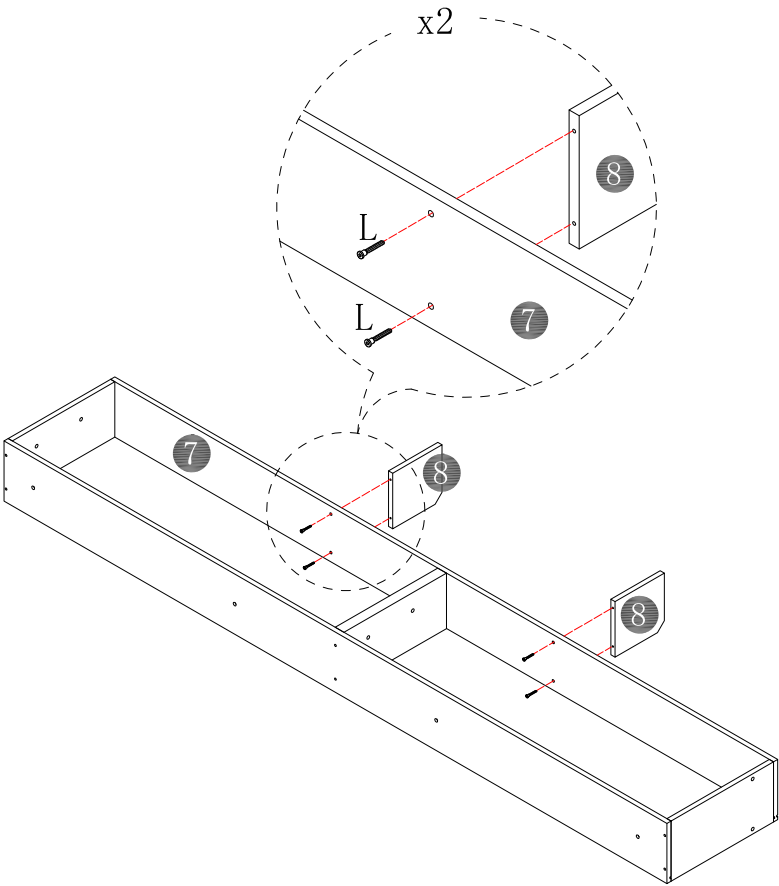
N. #3
 x1



4

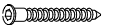
L $\phi 5*35$
 x4


N. #3
 x1

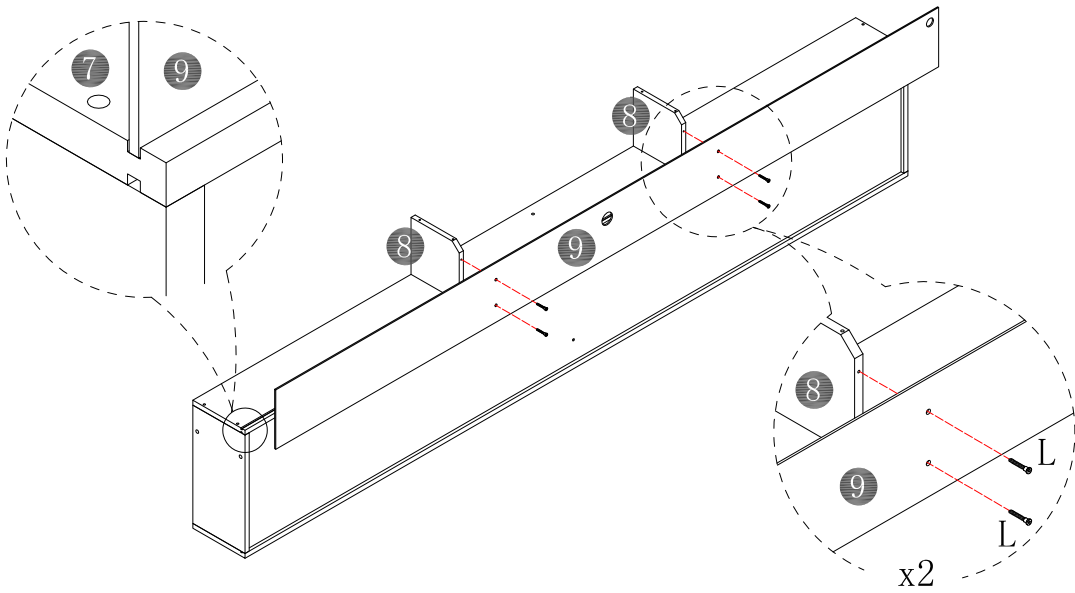


Assembly Instruction

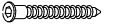
5


L $\phi 5*35$
 x4

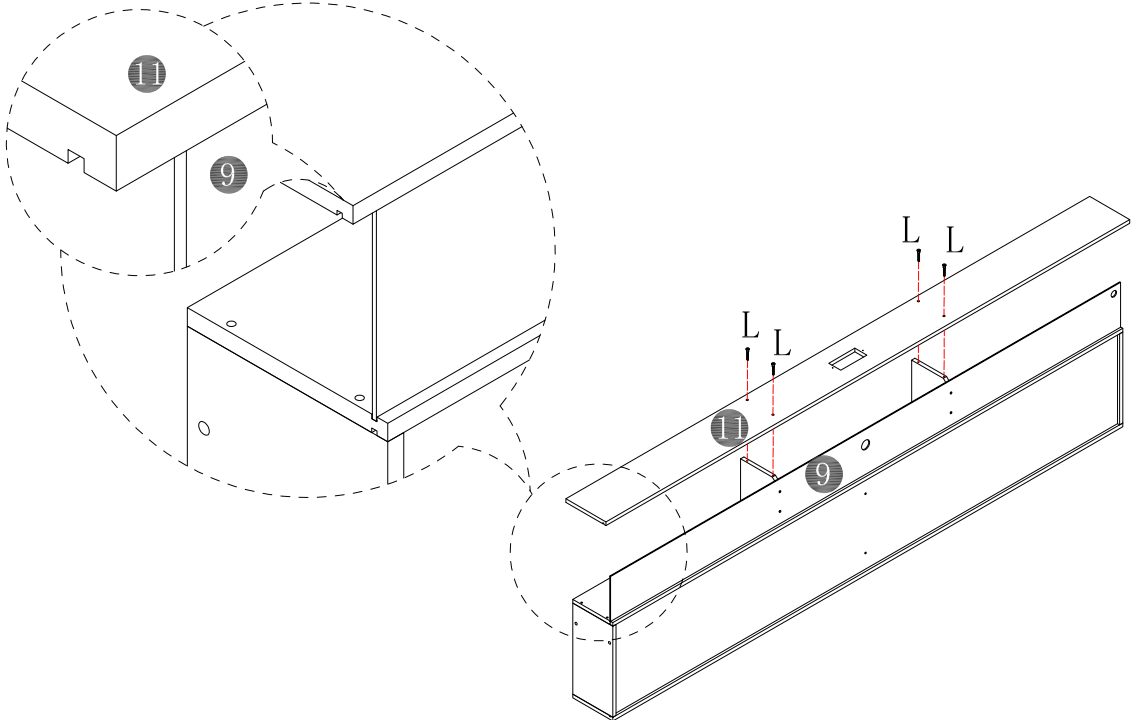
N. #3
 x1



6

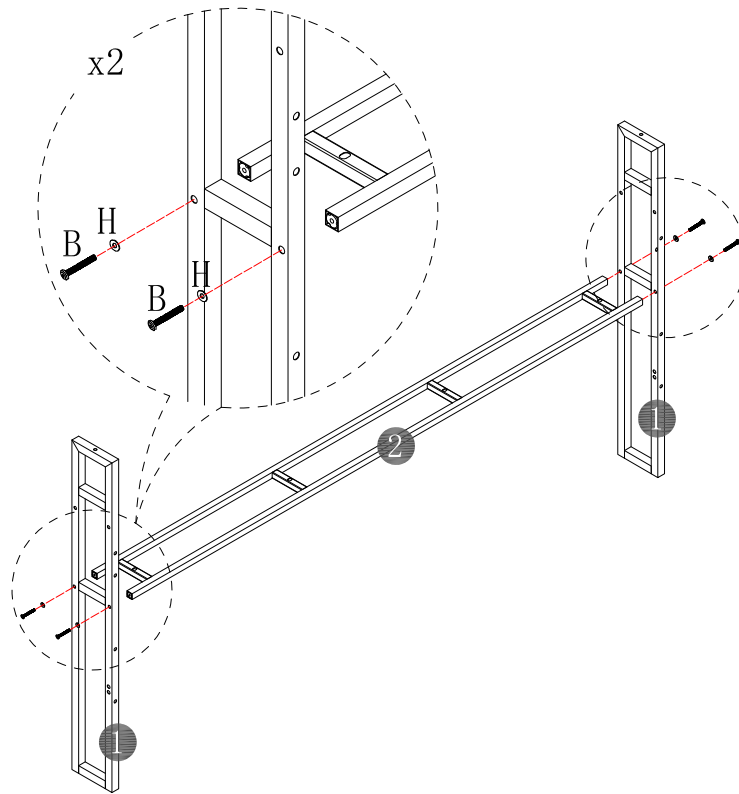
L $\phi 5*35$
 x4

N. #3
 x1



Assembly Instruction

7



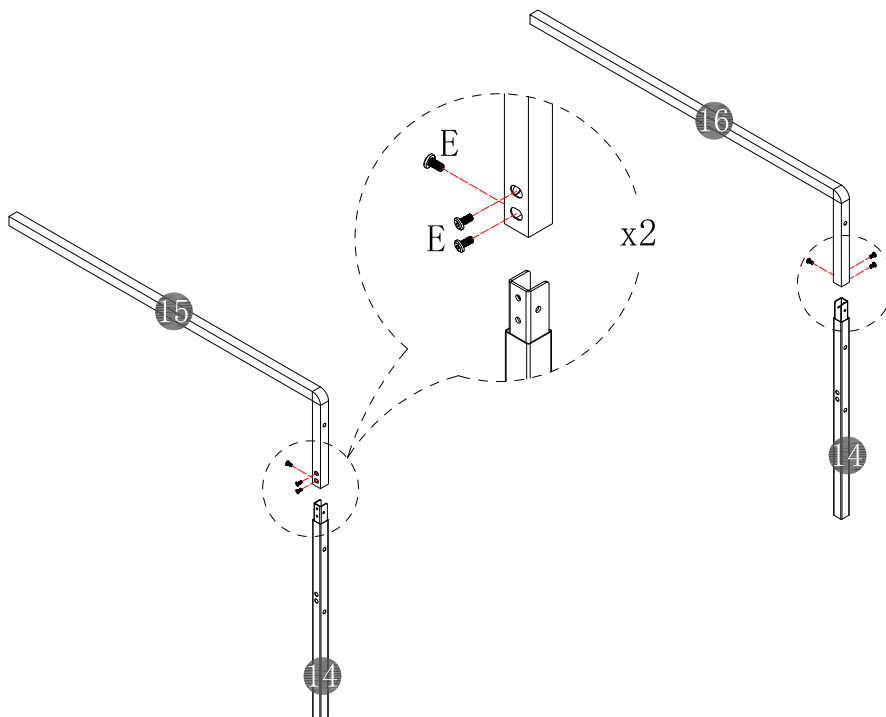
B M6*45
x4

H $\phi 6$
x4

O #4
x1

Do not tighten the screws, just fix them.

8

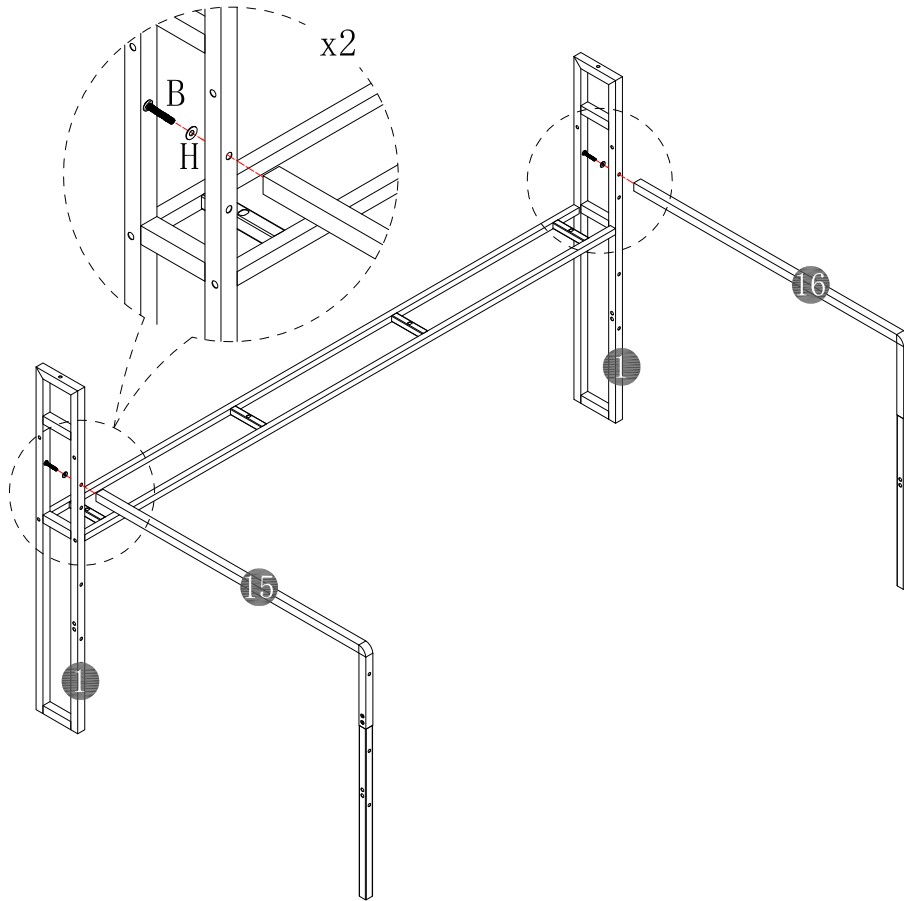


E M6*10
x6

O #4
x1

Assembly Instruction

9

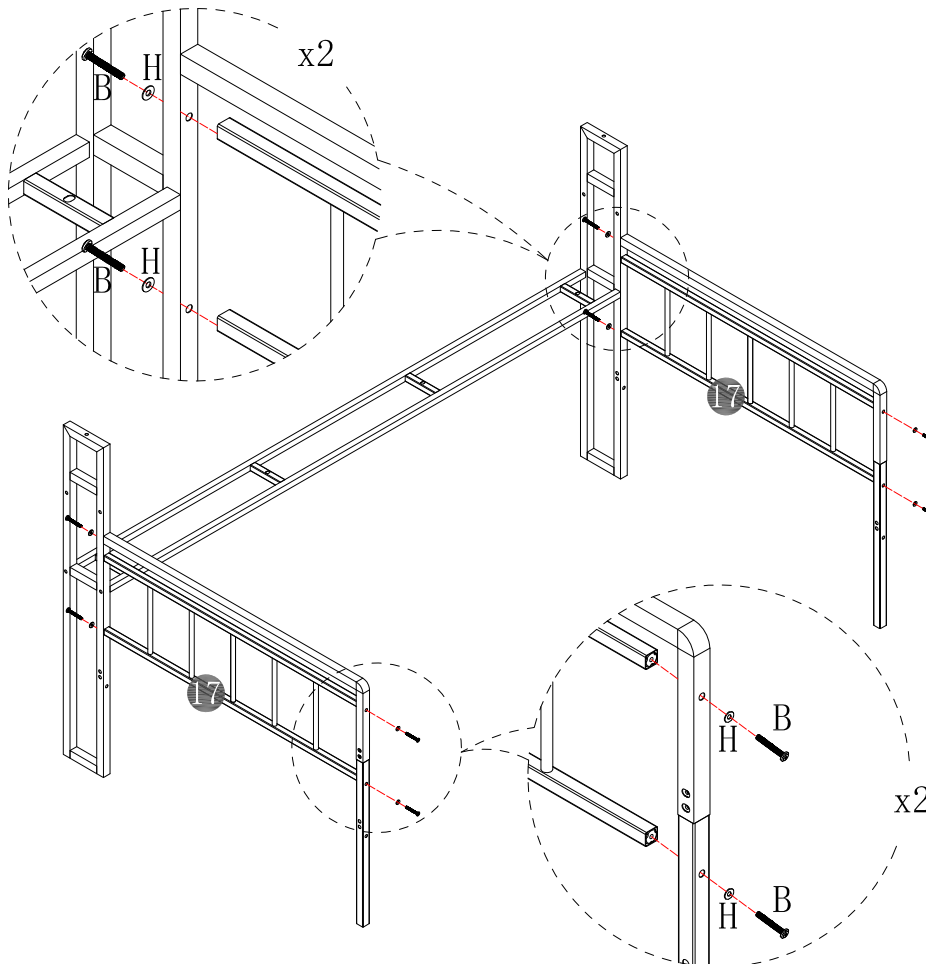


B M6*45
x2

H $\phi 6$
x2

O #4
x1

10



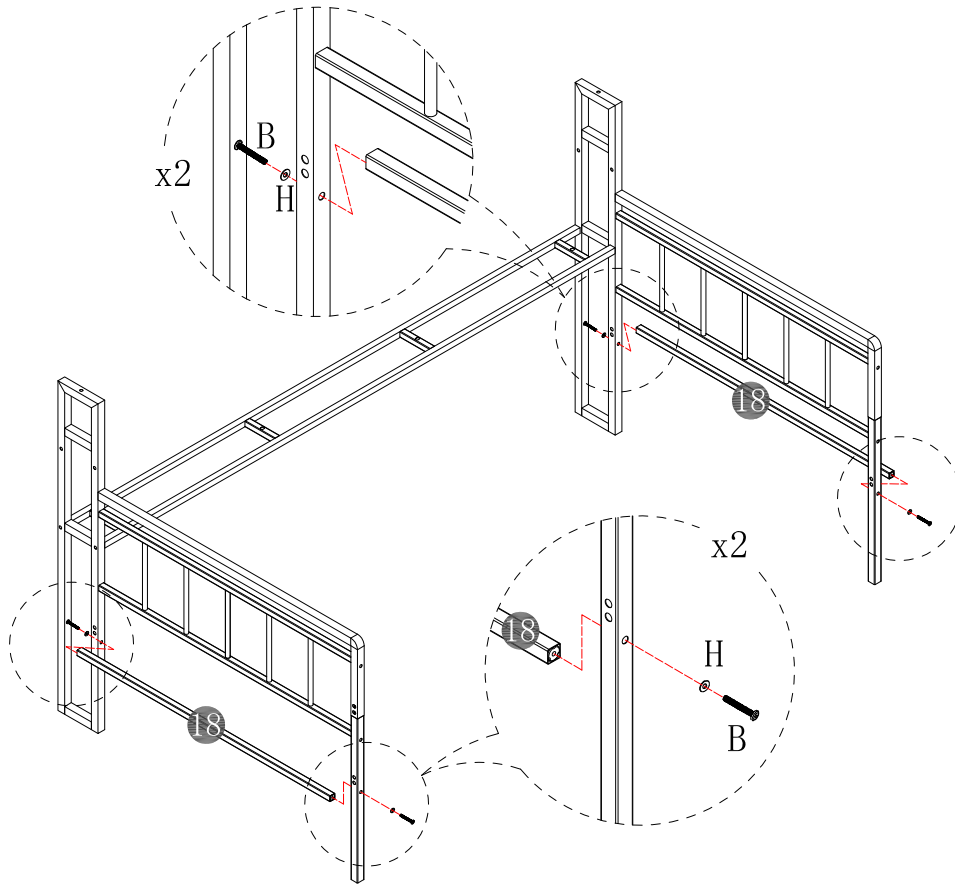
B M6*45
x8

H $\phi 6$
x8

O #4
x1

Assembly Instruction

11

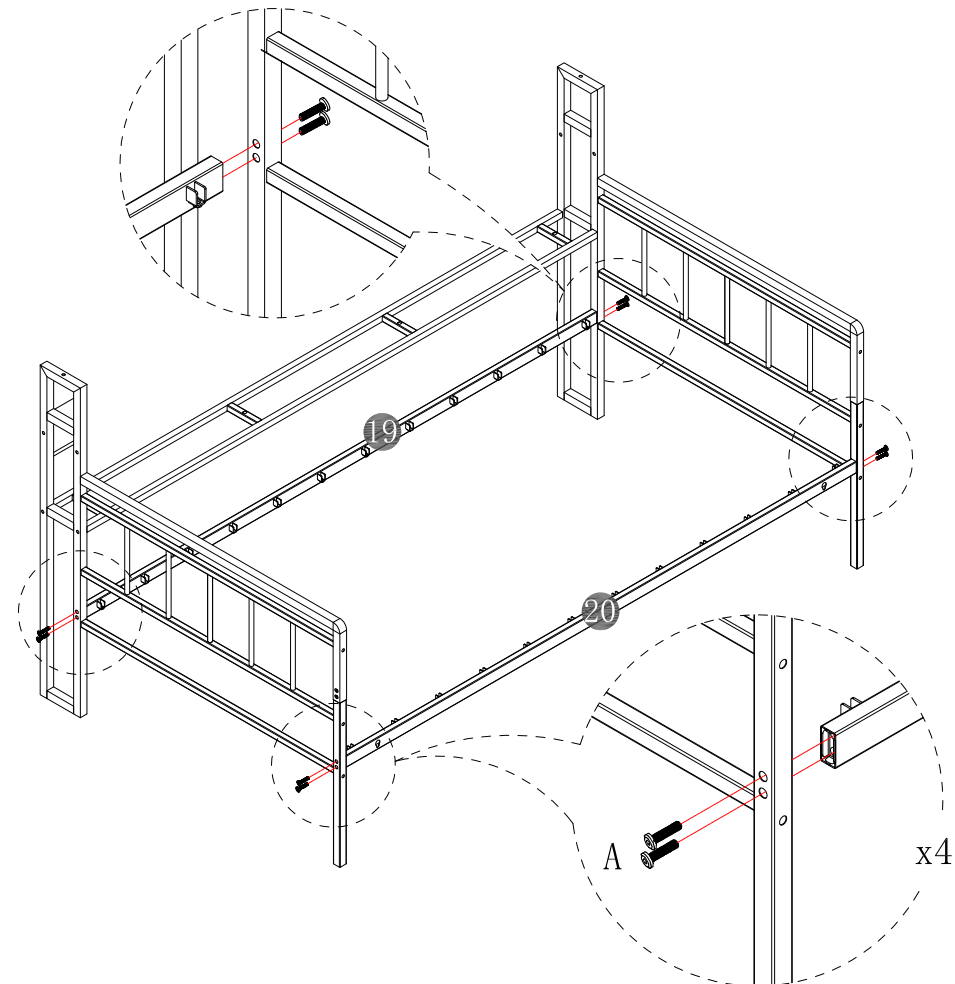


B M6*45
x4

H $\phi 6$
x4

O #4
x1

12

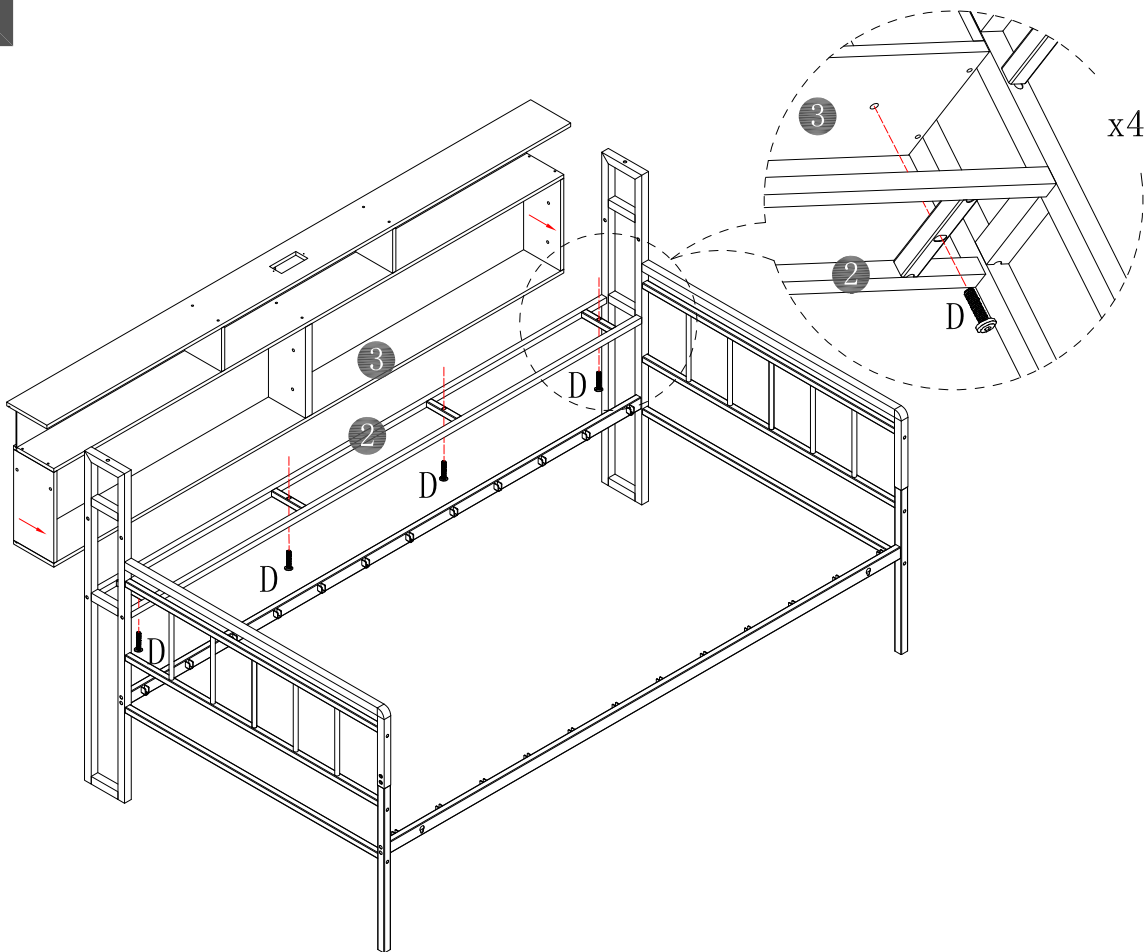


A M8*40
x8

O #4
x1

Assembly Instruction

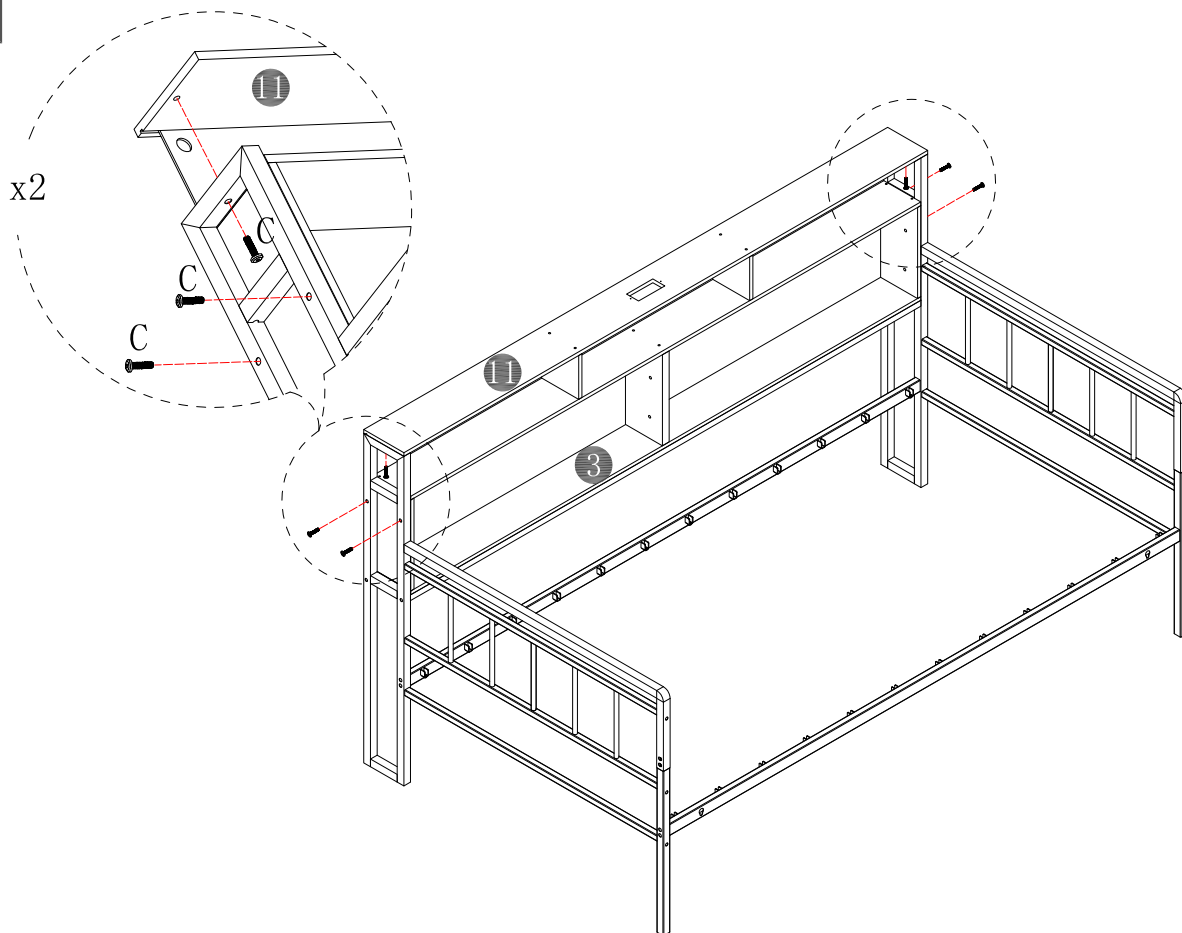
13



D M6*28
x4

O #4
x1

14



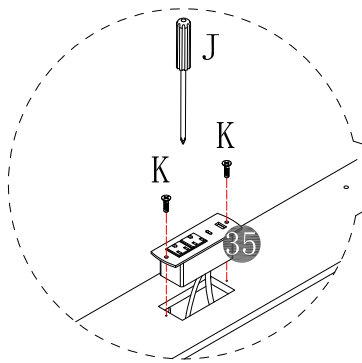
C M6*35
x6

O #4
x1

Tighten all the screws on it.

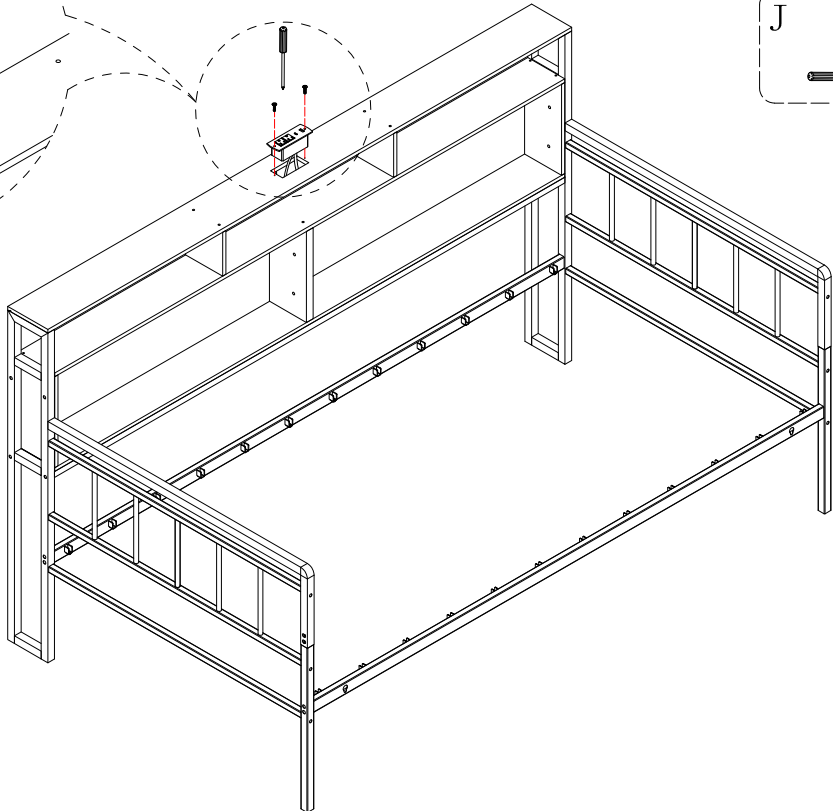
Assembly Instruction

15

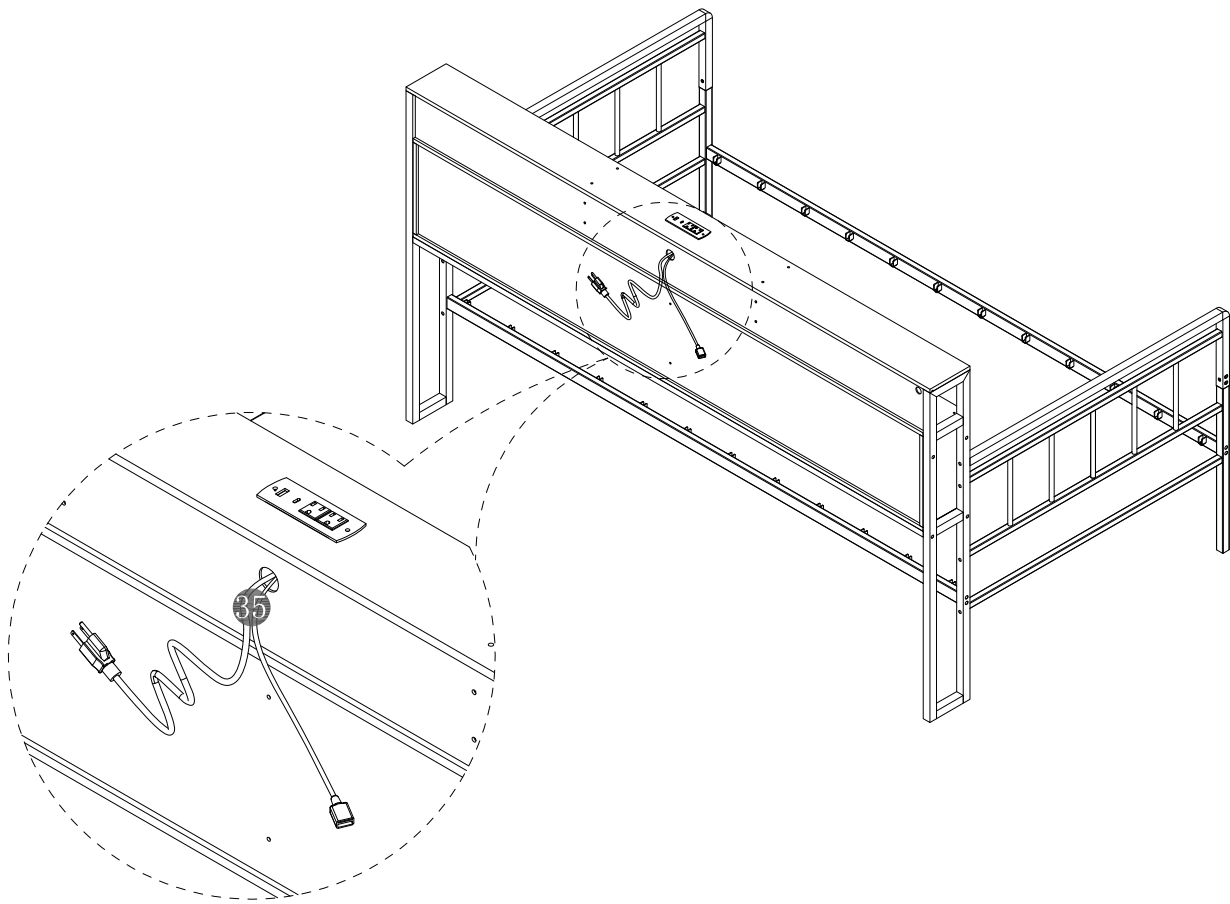


K $\phi 3*12$
x2

J
x1

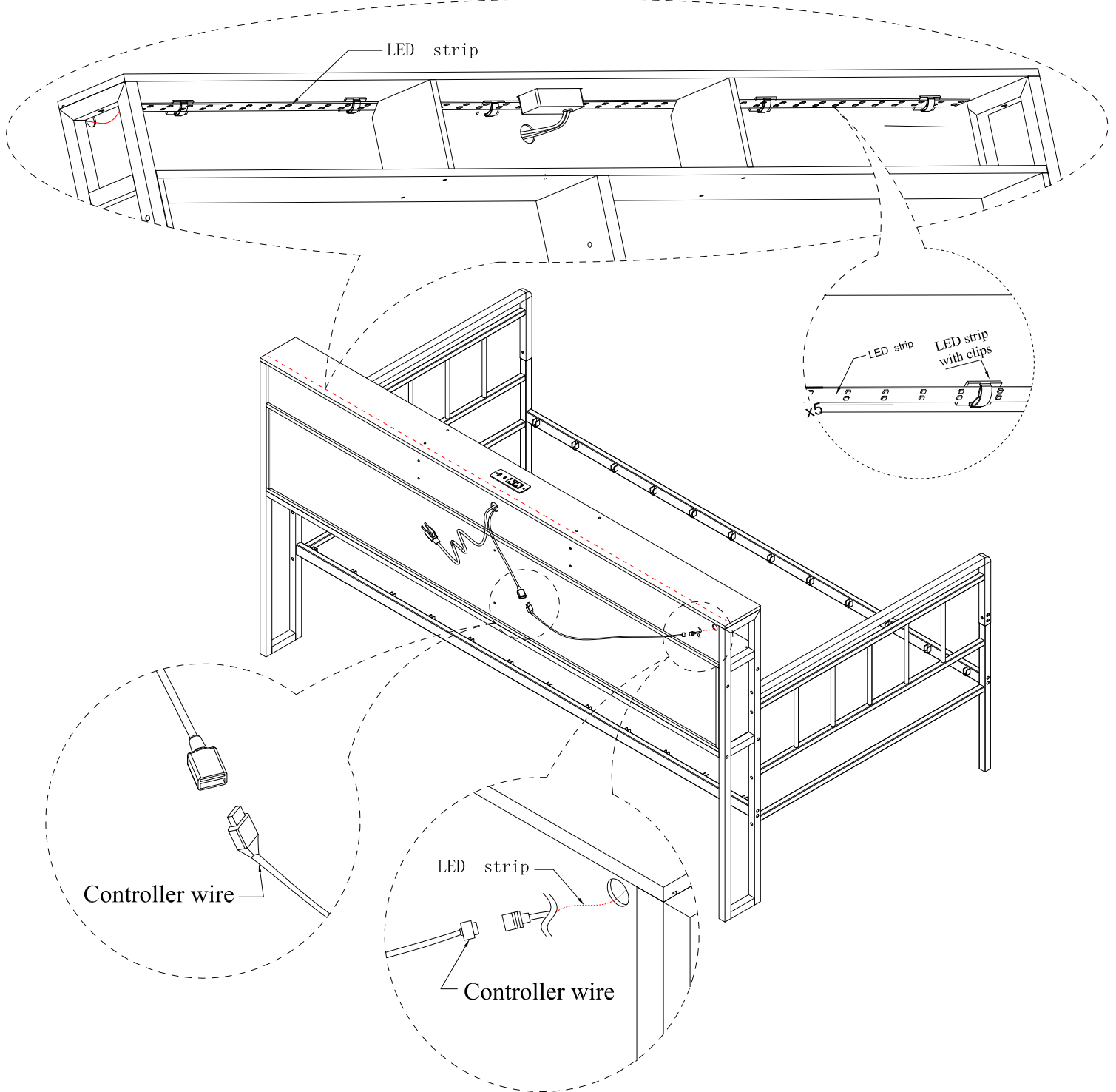
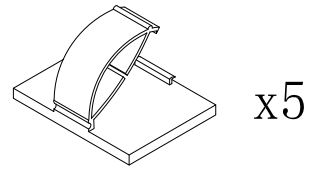
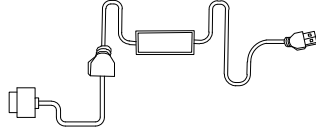
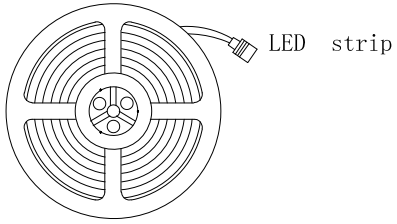


16



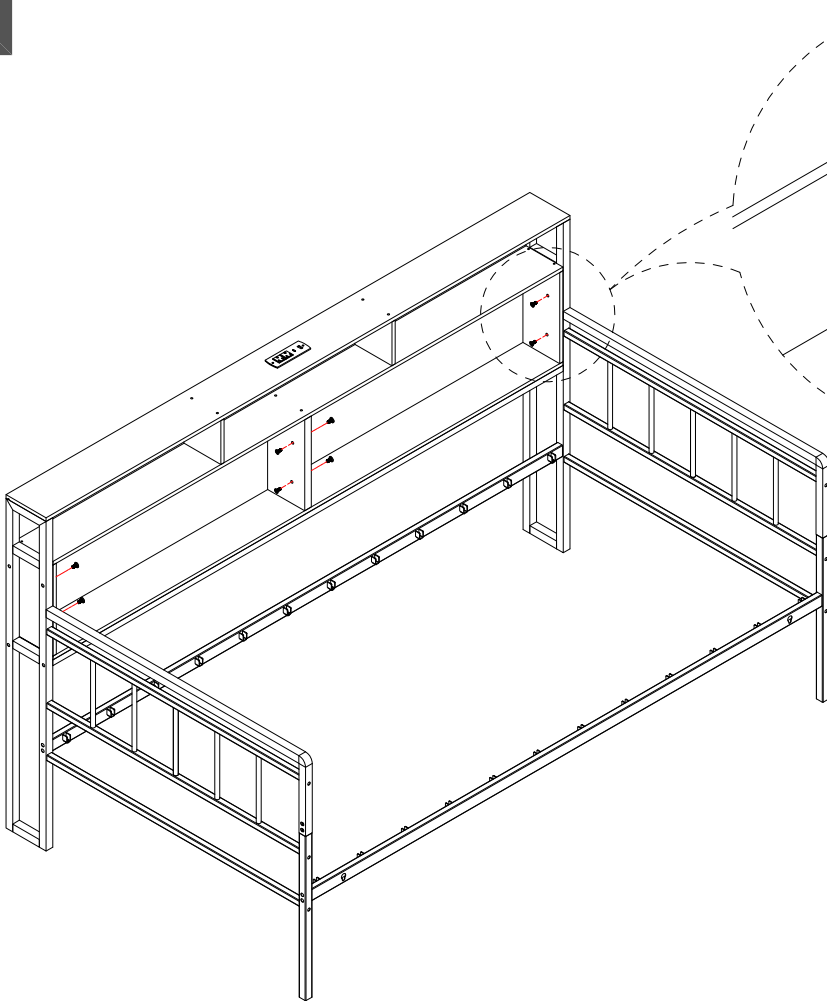
Assembly Instruction

17



Assembly Instruction

18

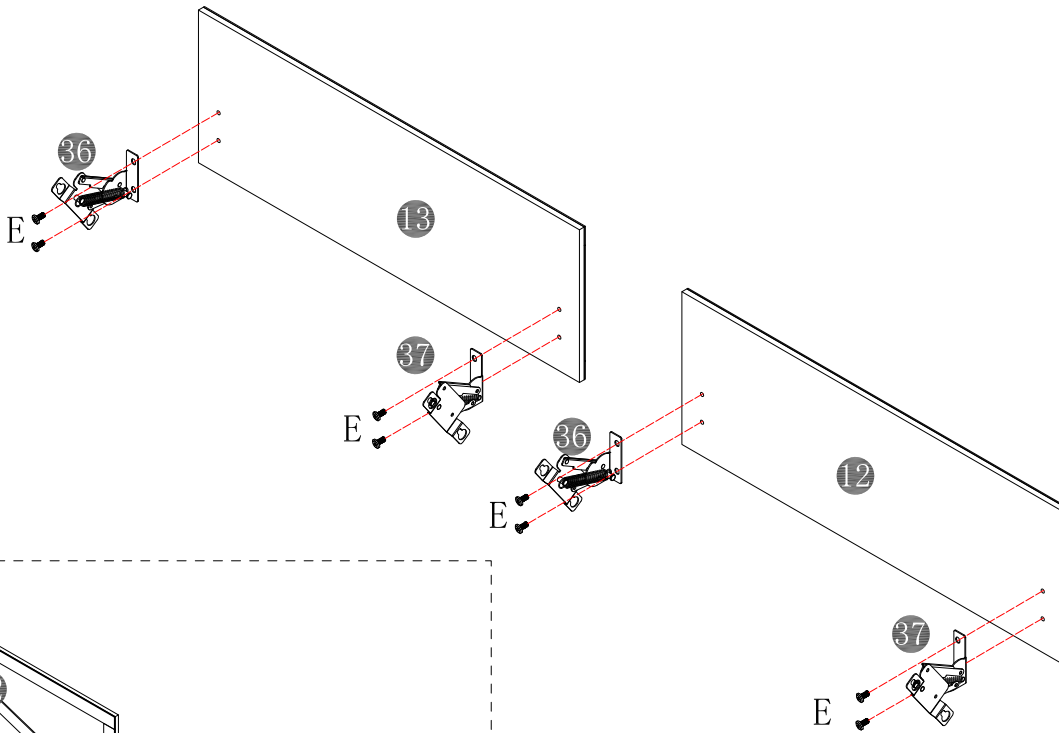


- E M6*10
x8
- O #4
x1

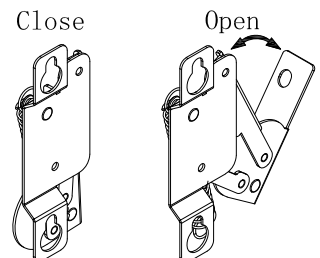
Do not tighten the screws, just fix them.



19

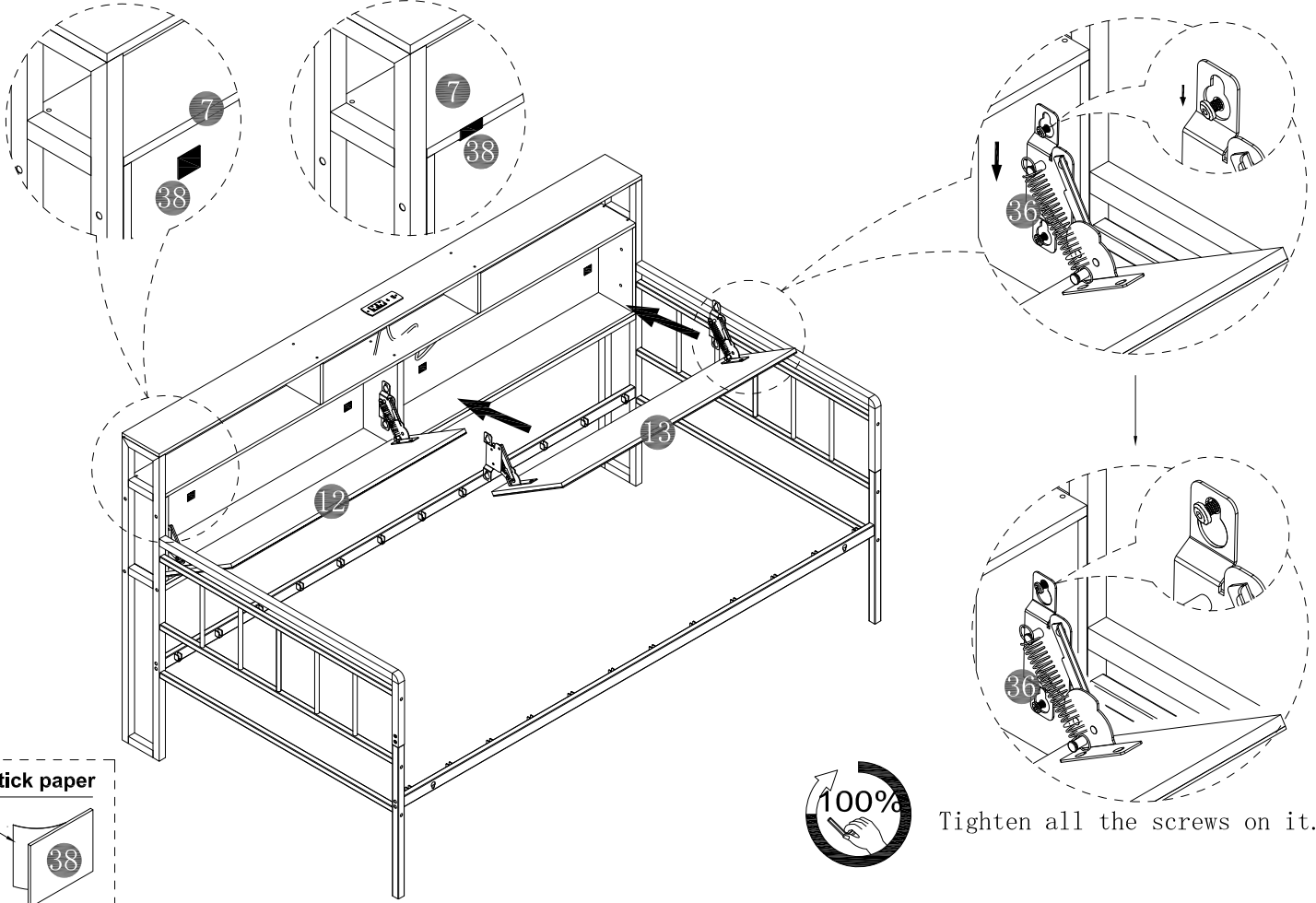


- E M6*10
x8
- O #4
x1

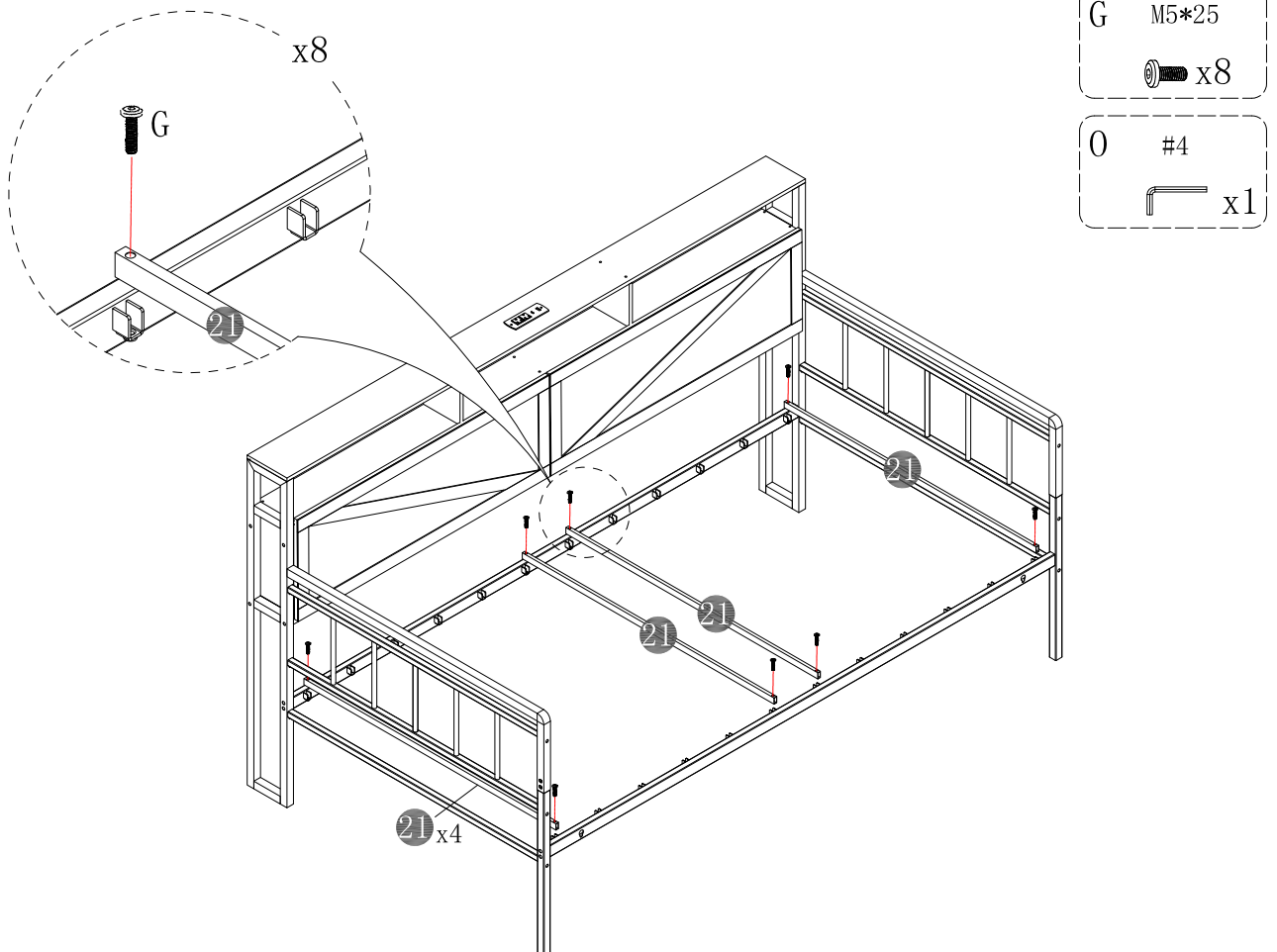


Assembly Instruction

20

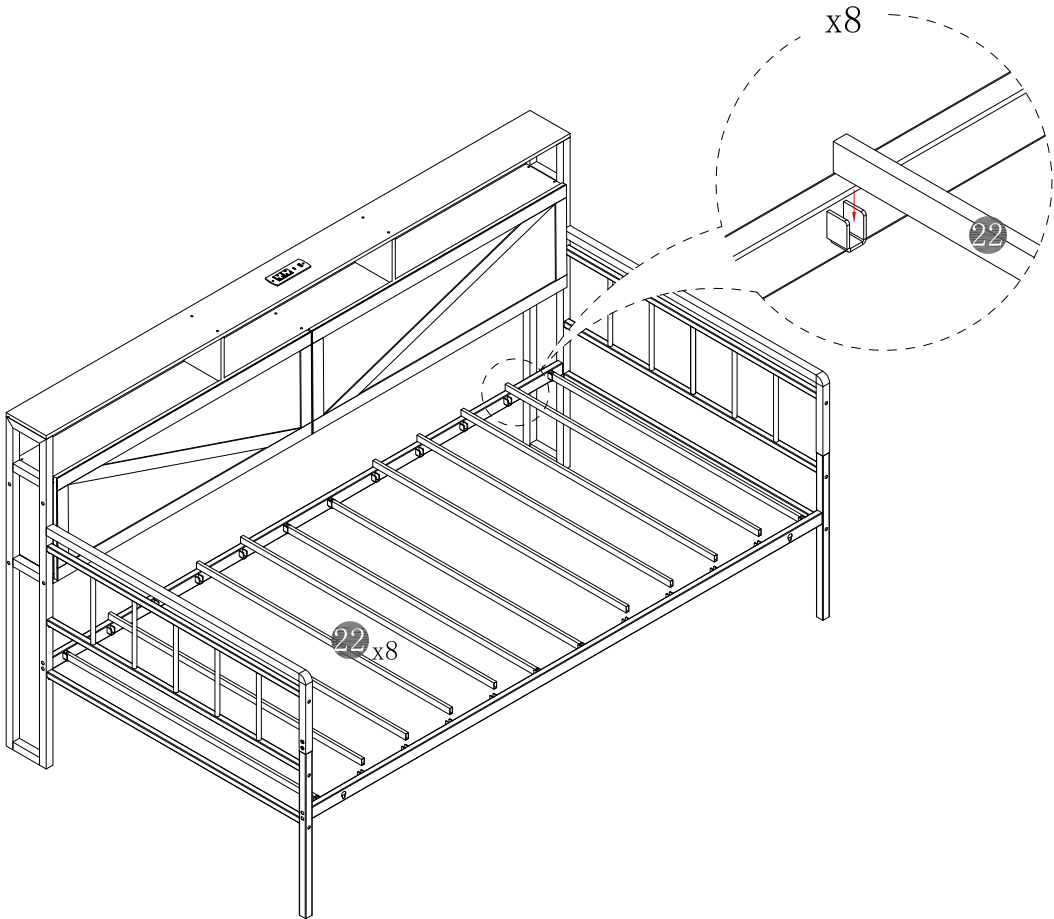


21

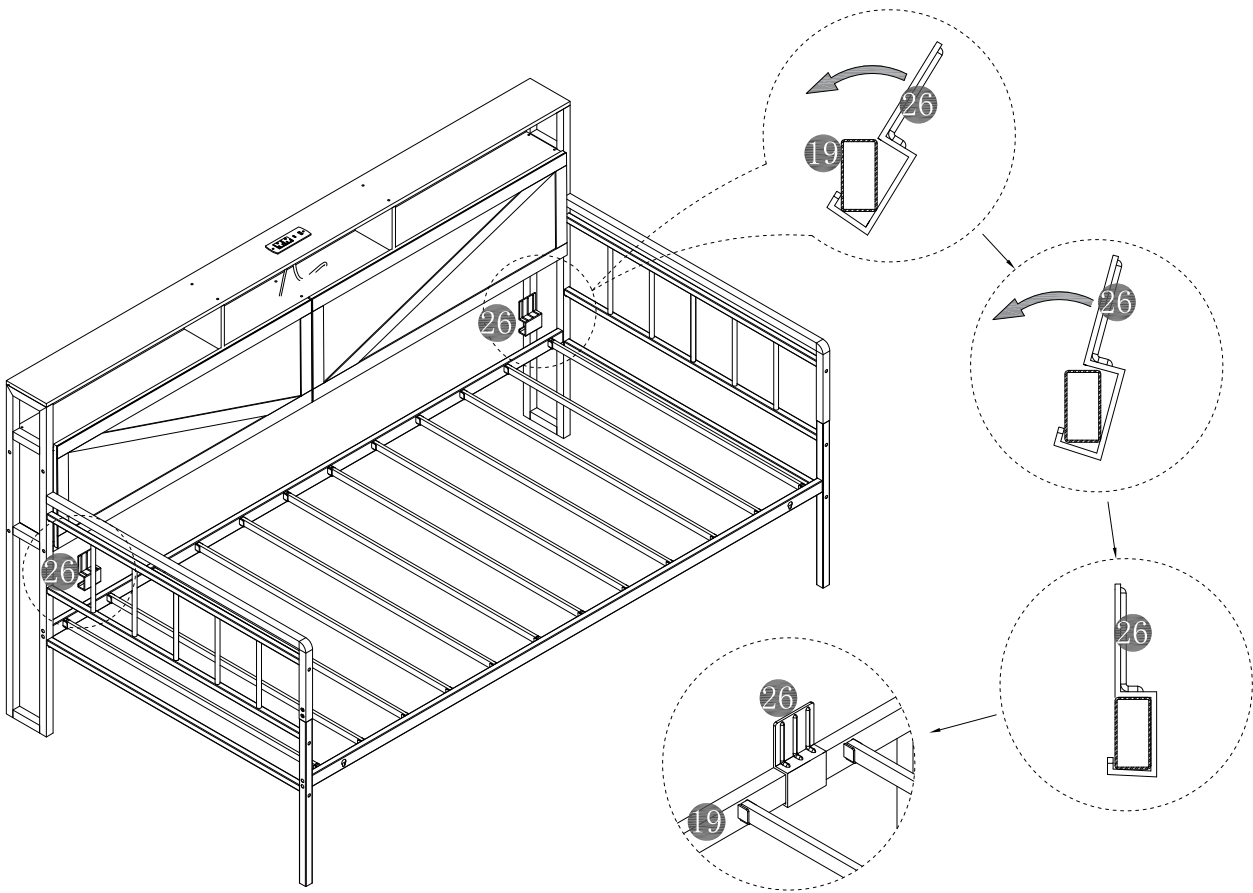


Assembly Instruction

22

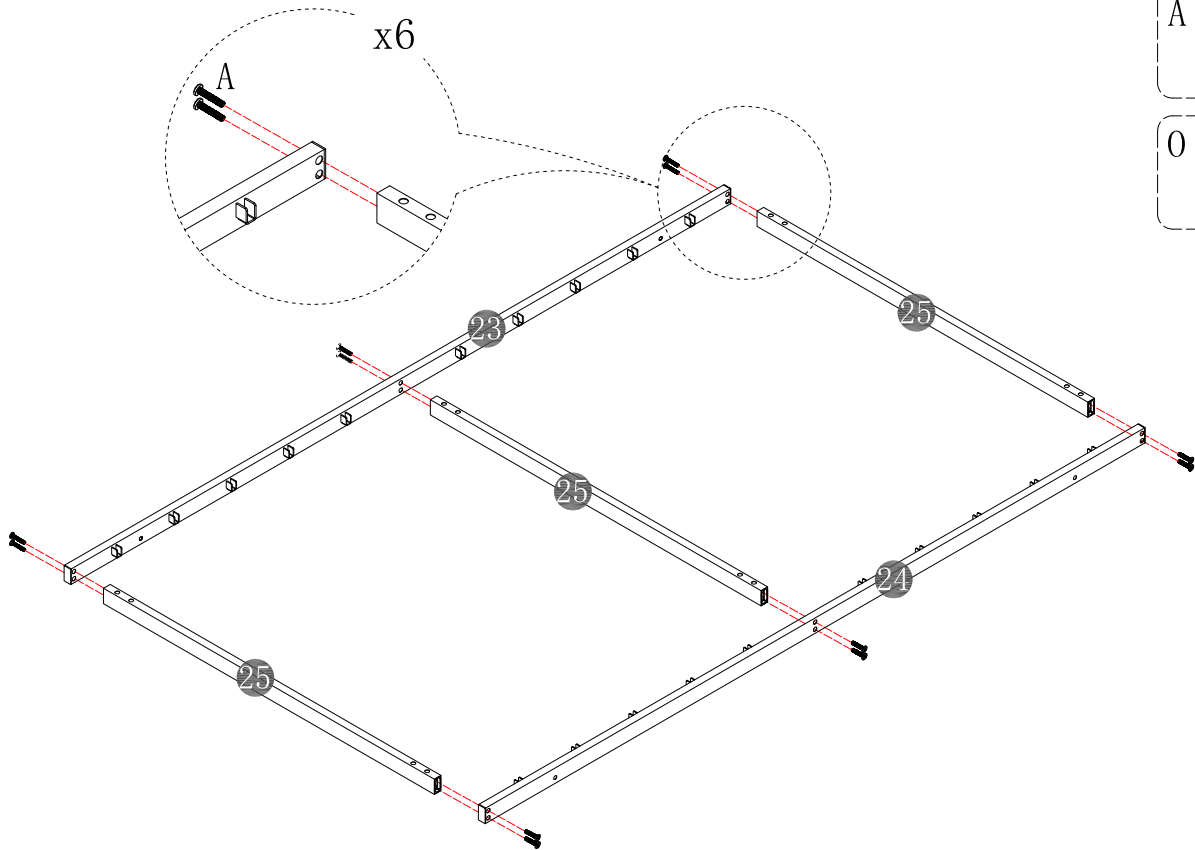


23



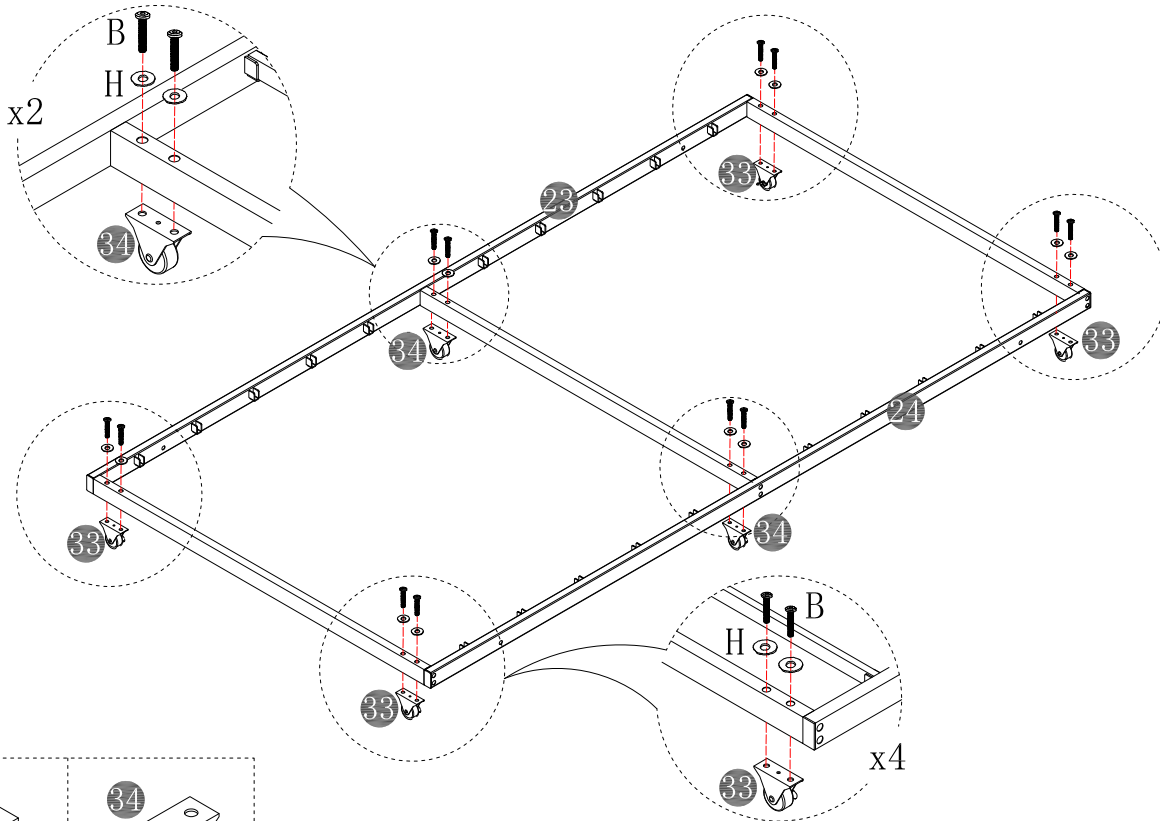
Assembly Instruction

24

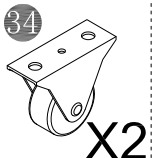
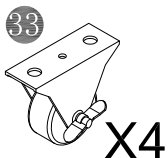


- A M8*40 x12
- O #4 x1

25



- B M6*45 x12
- H $\phi 6$ x12
- O #4 x1



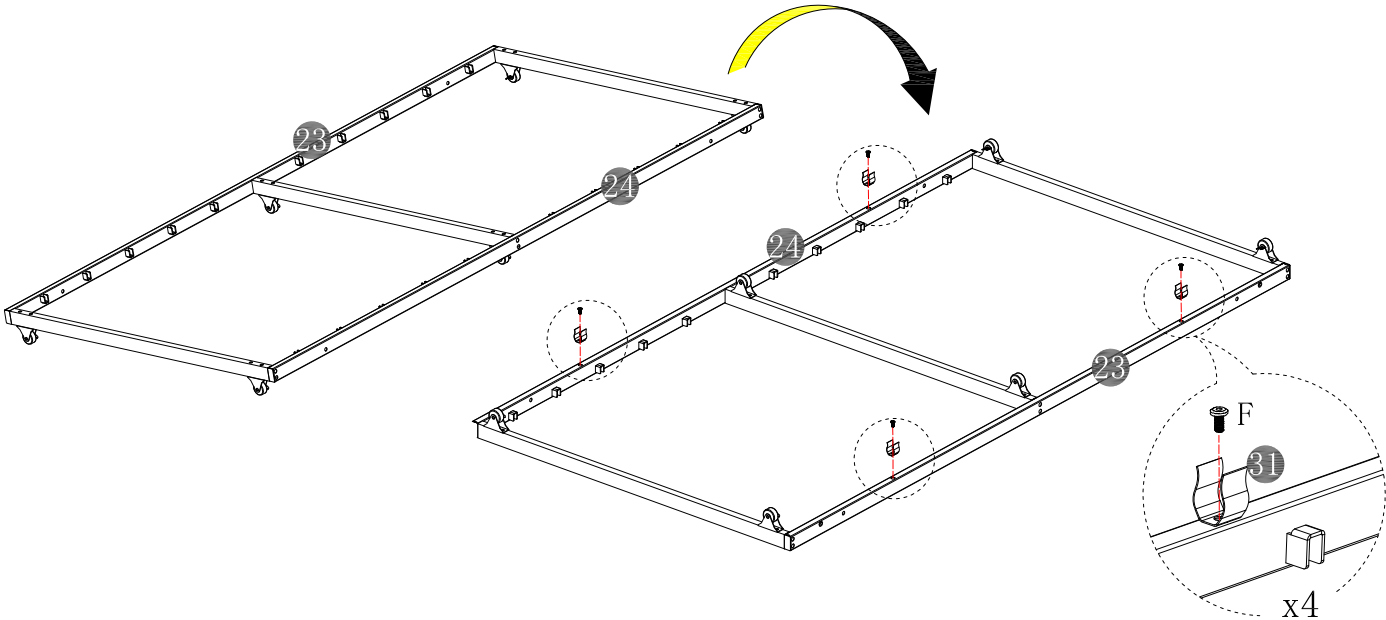
Assembly Instruction

26

F M6*15
x4

O #4
x1

Flip to the bottom

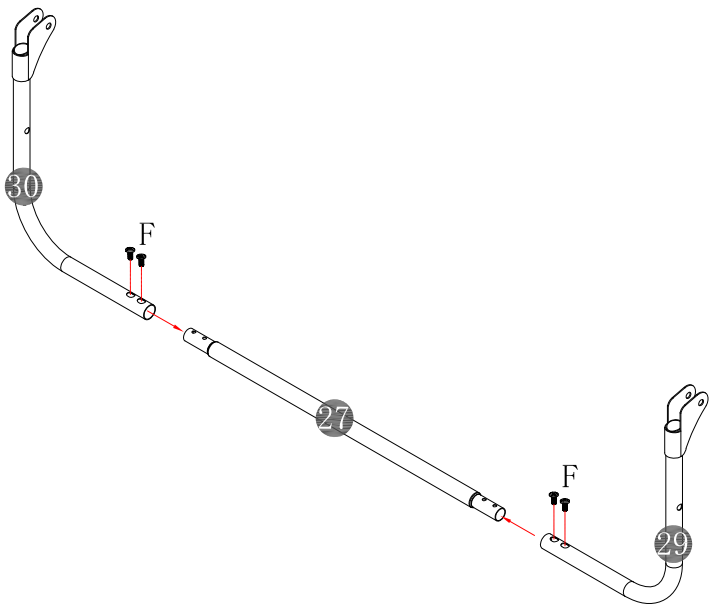


27

F M6*15
x8


O #4
x1


x2

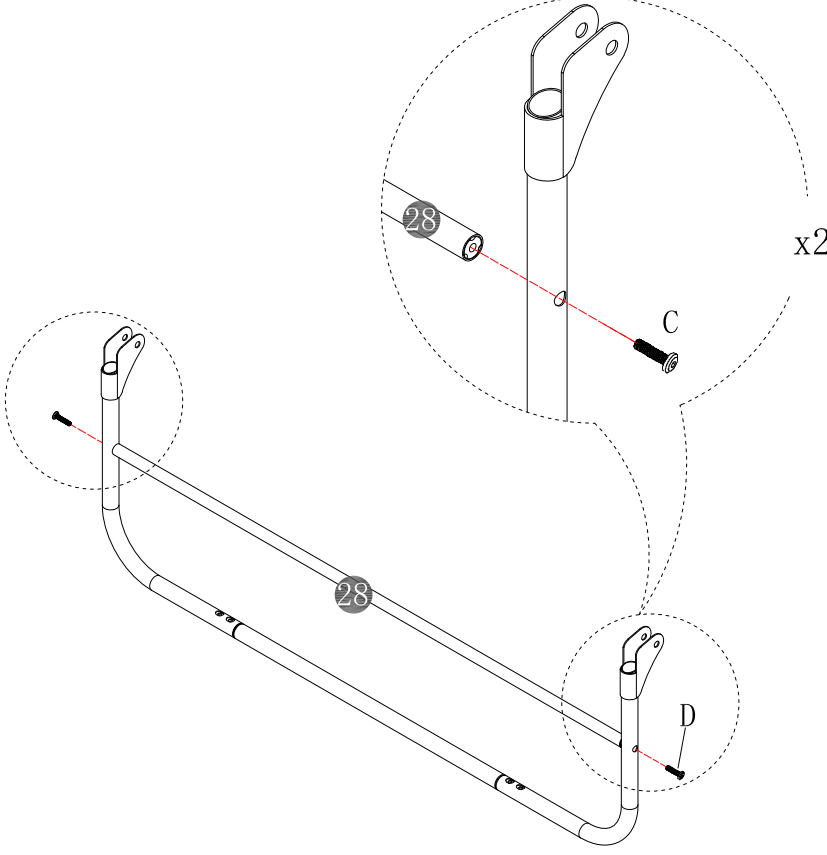


Assembly Instruction

28

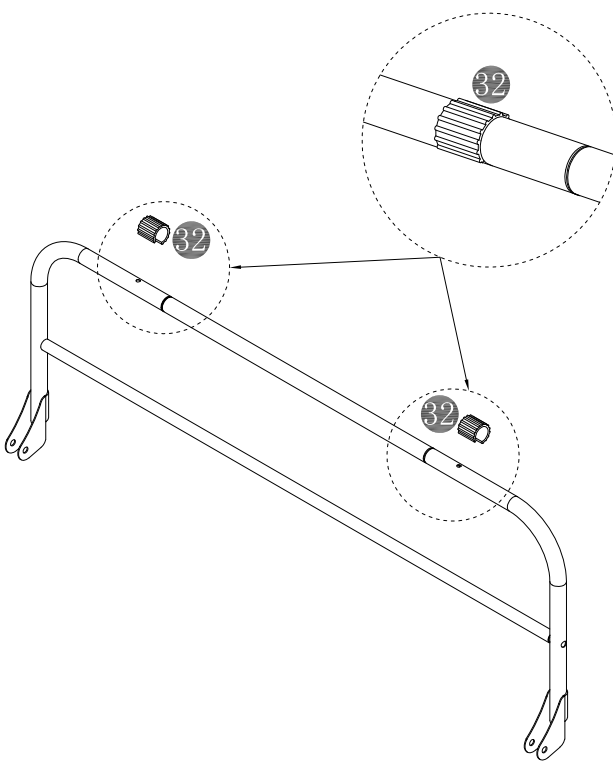
C M6*35
 x4

O #4
 x1



x2


29

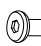



x2

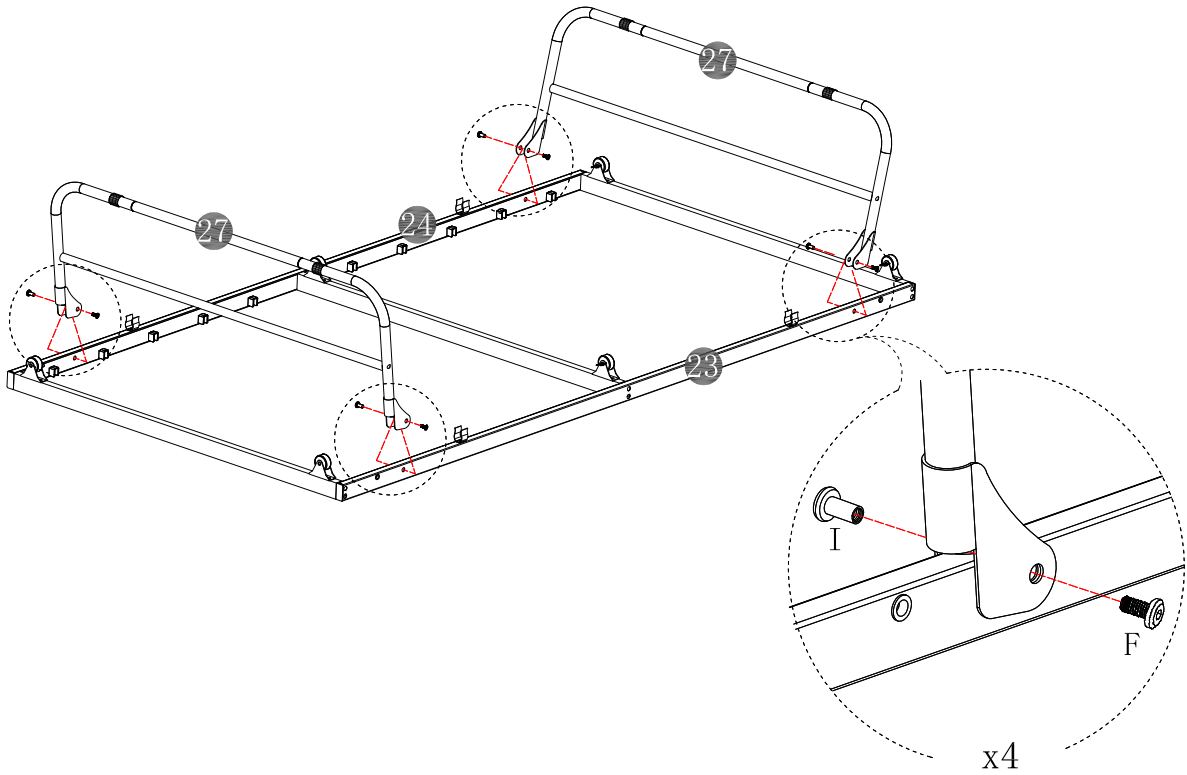
Assembly Instruction

30

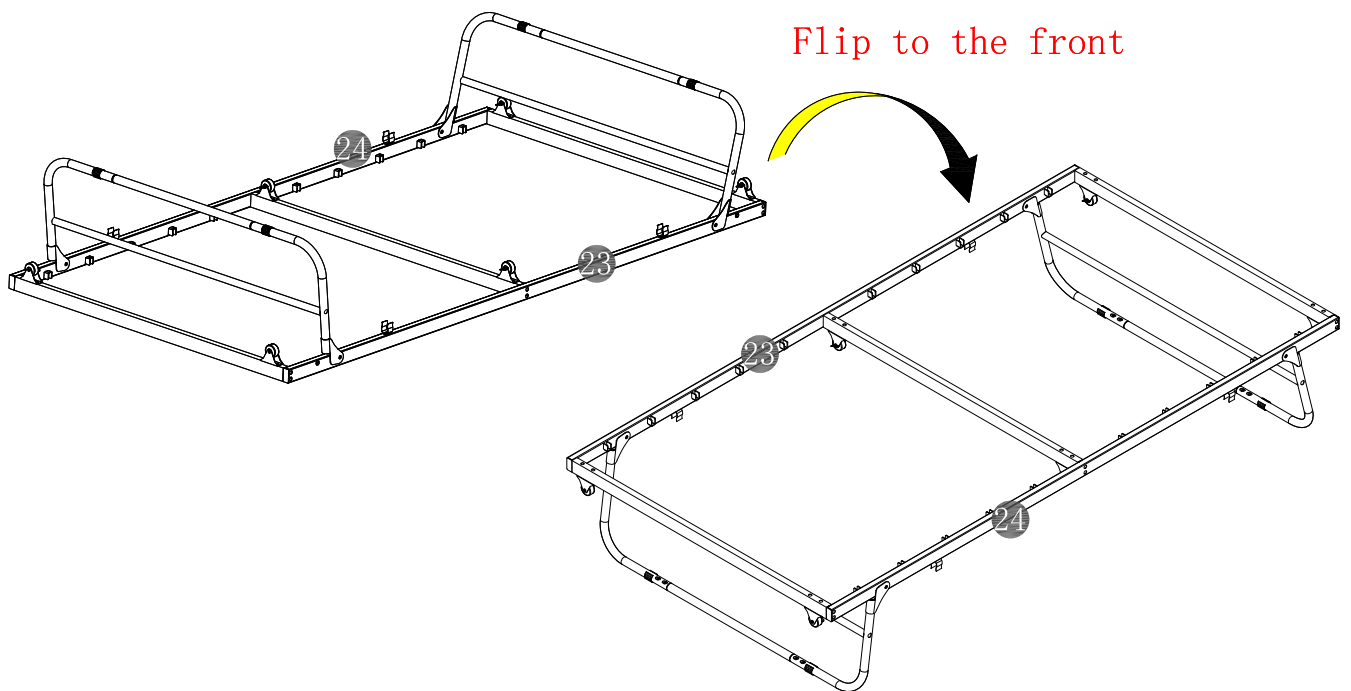
F M6*15
 x4

I M6*20
 x4

O #4
 x2



31

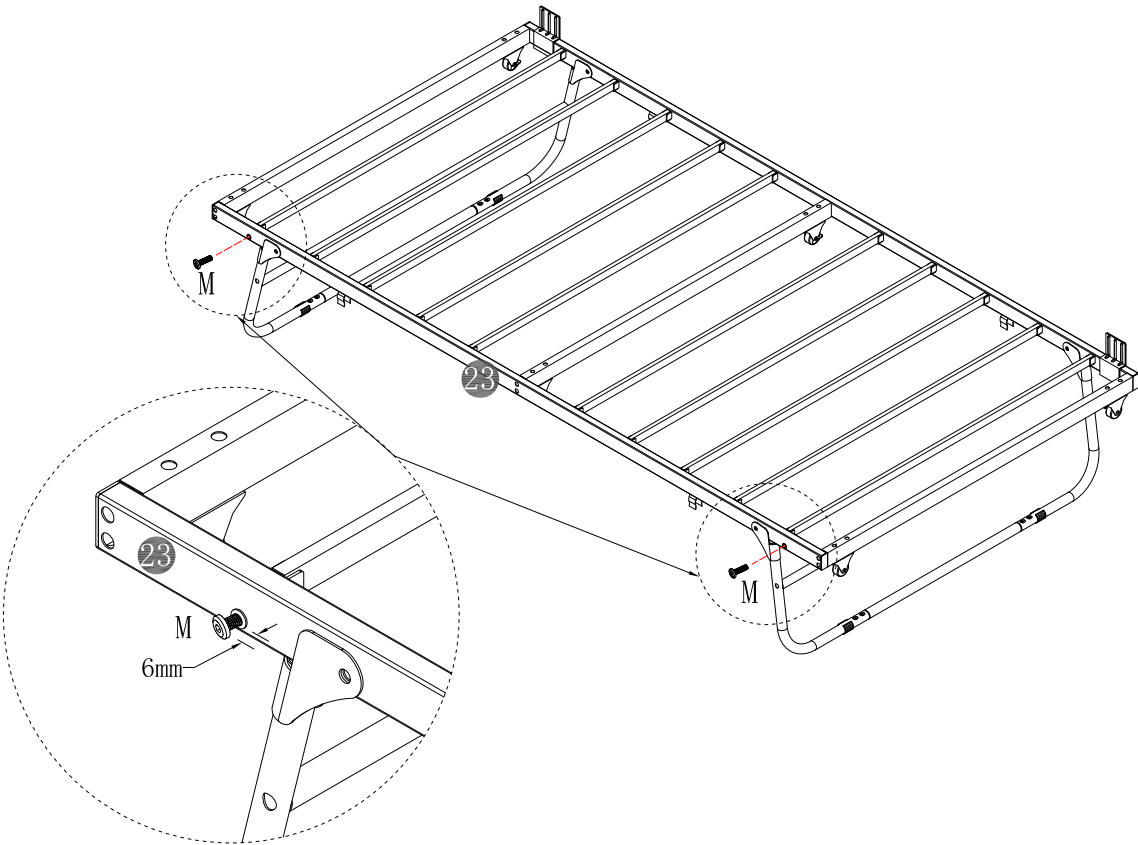


Assembly Instruction

34

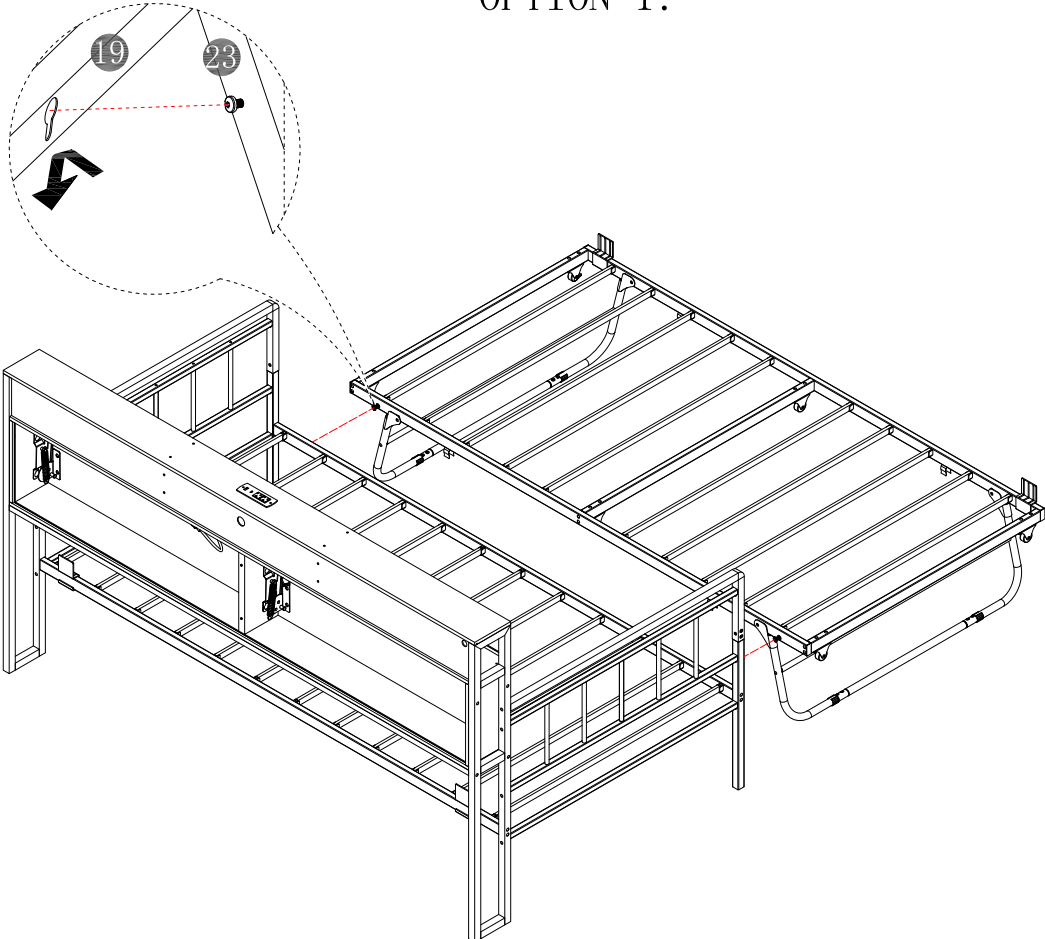
M M6*25
x2

O #4
x2



35

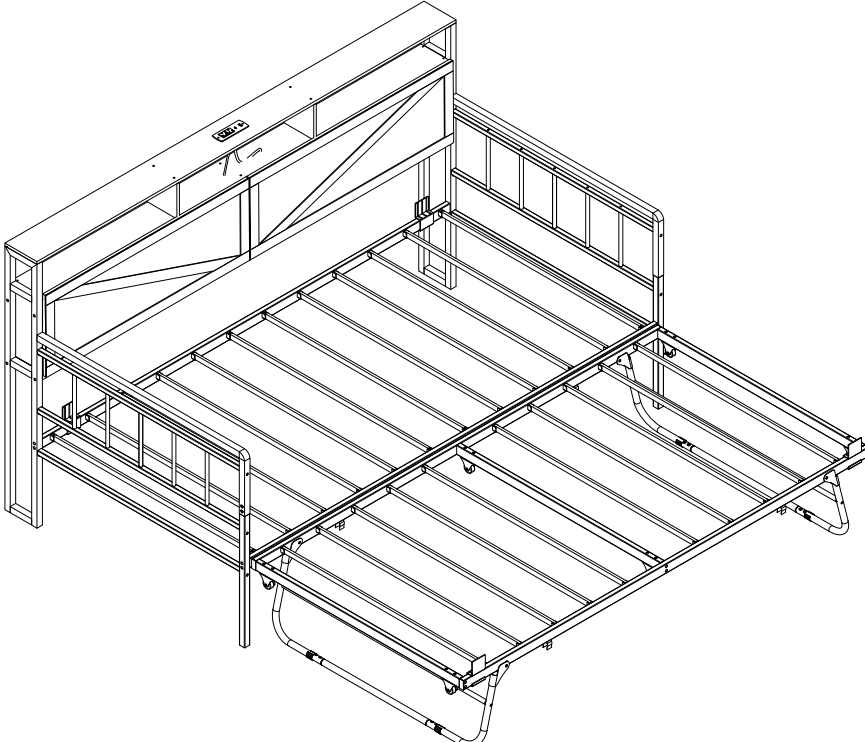
OPTION 1:



Assembly Instruction

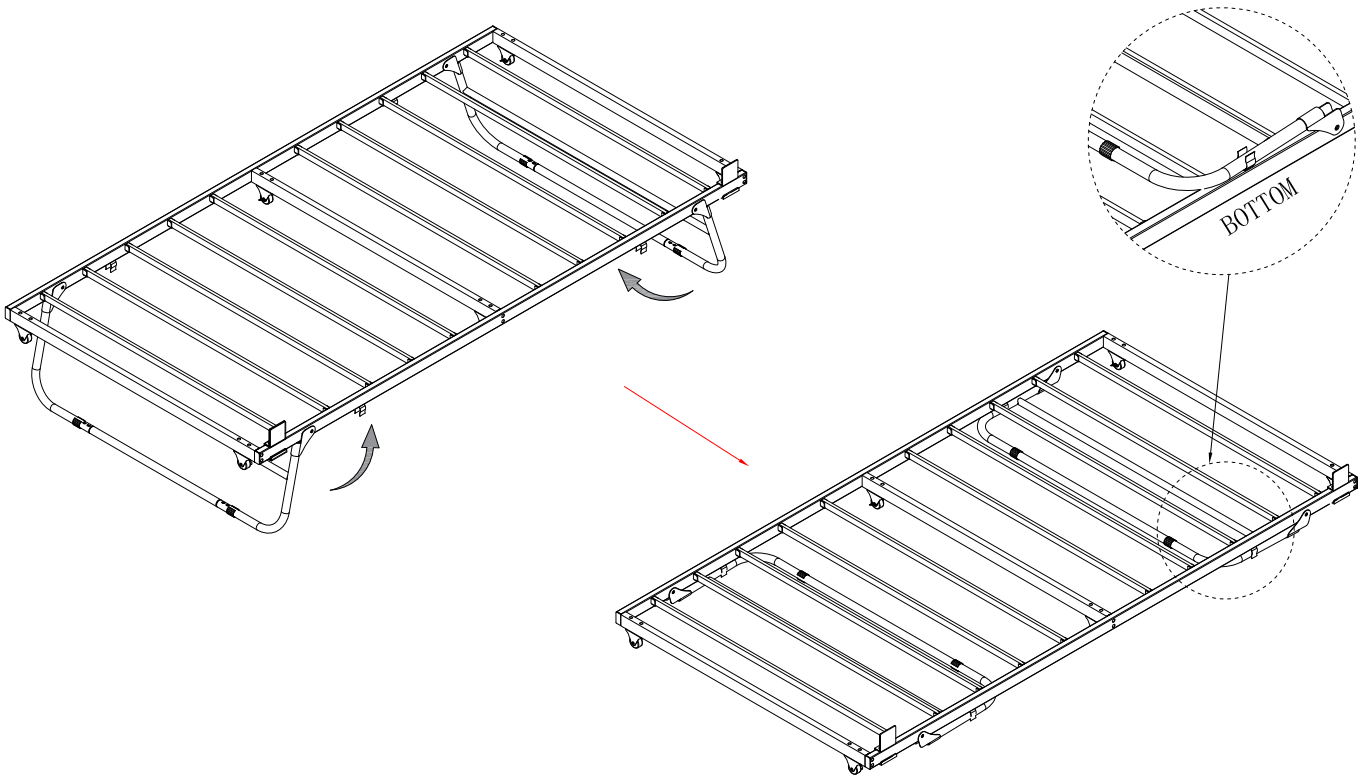
36

OPTION 1:



37

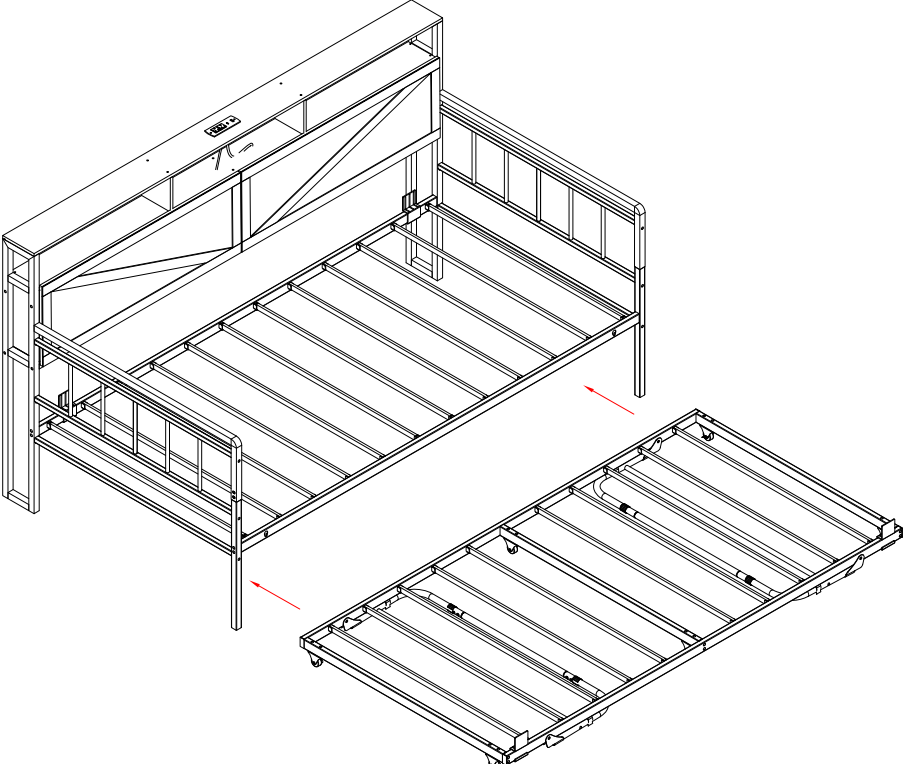
OPTION 2:



Assembly Instruction

38

OPTION 2:



39

OPTION 2:

