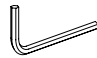

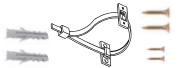




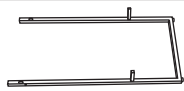
Assembly Instructions

Malone Console Table

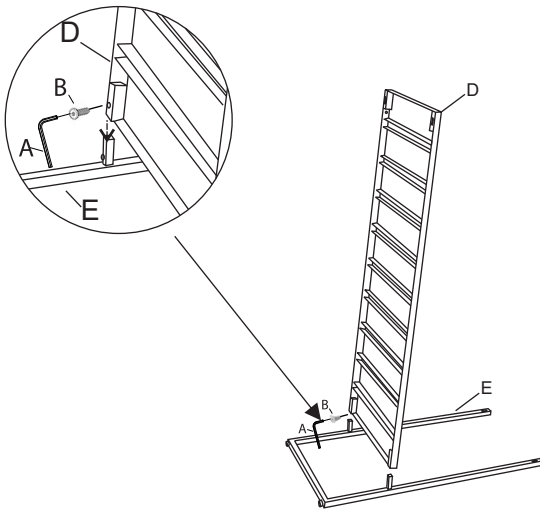
HARDWARE LIST:-

NO.	DESCRIPTION	IMAGE	QTY
A	ALLEN KEY (4mm)		1
B	ALLEN BOLT (6X13mm)		8
C	ANTI TIP KIT		1

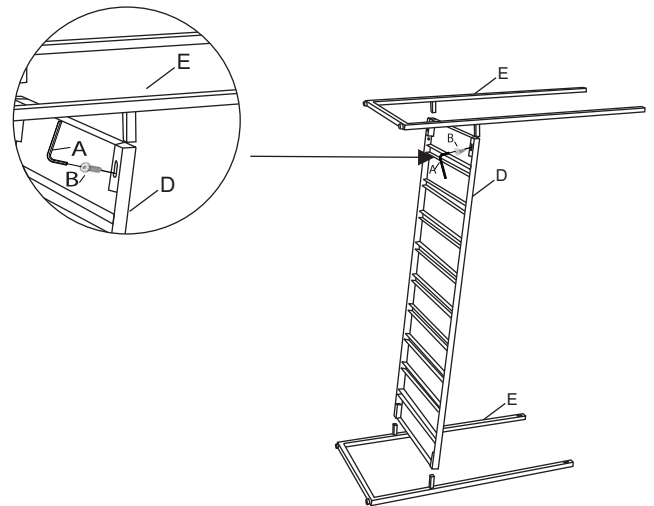
PART LIST:-

NO.	DESCRIPTION	IMAGE	QTY
C	TABLE TOP		1
D	SHELF		1
E	METAL LEGS		2

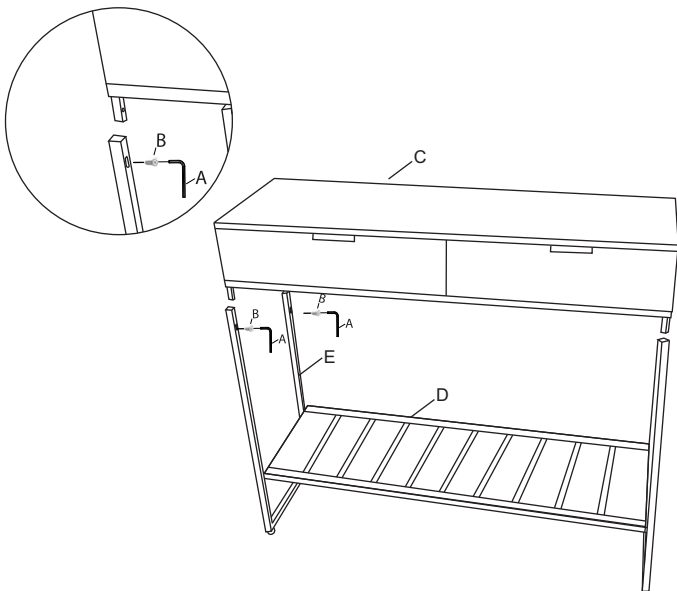
Step :- 1



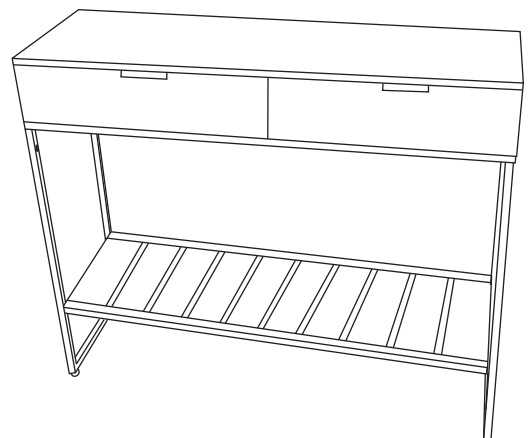
Step :- 2 Do not fully tighten bolts.



Step :- 3



Step :- 4 Tighten bolts.



Ready For Use

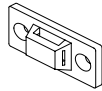




ANTI-TIPPING RESTRAINT INSTRUCTIONS

MALONE CONSOLE TABLE

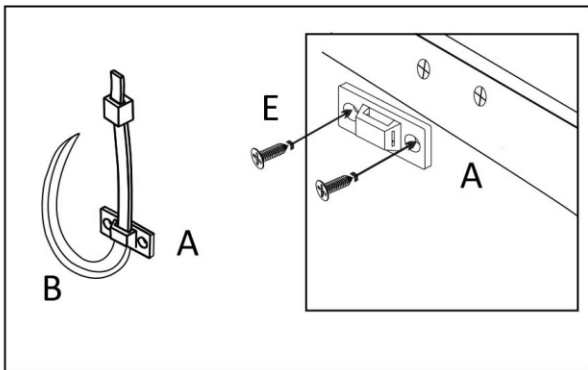
WARNING: Use of a tip-kit will only reduce, not eliminate, tip-over. Install tip over restraints in pre-marked location(s) on the back of the product. Install anti-tip kit directly into wall stud or use included wall anchor. Tug on the hardware to ensure that the furniture is attached securely to the wall.

REQUIRED TOOLS: (Not Included)
 • Phillips head screwdriver

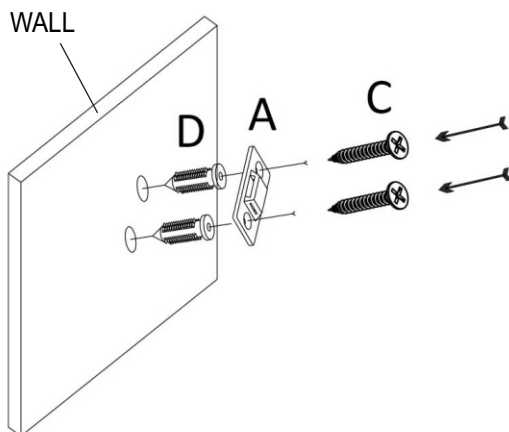
HARDWARE LIST

LABEL	DESCRIPTION	PICTURE	QTY
A	CLIP		2
B	ZIP TIE		1
C	SCREW 1 1/2"		2
D	WALL ANCHOR		2
E	SCREW 3/4"		2

STEP 1



STEP 2



STEP 3

