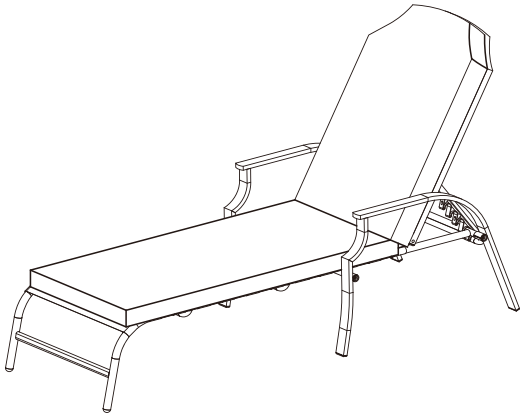


MAYA/SWENSON DELUXE LOUNGE CHAISE

ASSEMBLY MANUAL



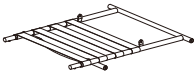

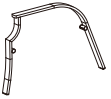

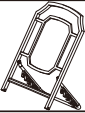




Assembly Instructions





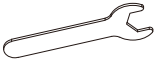


- Prior to assembly, ensure that you lay out and identify all the parts listed in the parts list.
- Tighten all nuts and bolts securely. Hand-tighten all bolts before use. Avoid using power tools or applying excessive force during assembly and bolt tightening.

Care and warranty

- The weight capacity of this chair is 250 lbs.
- Clean the frame components and fabric with a mild soap solution, then rinse thoroughly. Avoid using bleach, acid, or any other solvents on either the fabric or frame components.
- For the best performance and safety of your chair, inspect and tighten all bolts and fasteners regularly

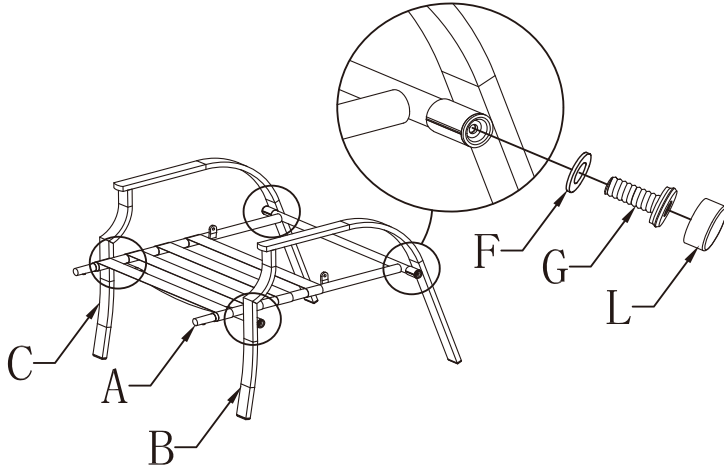
Part list

A		1
B		1
C		1
D		1
E		1
F		6
G	 M6*20	4
H	 M6*40	2
I		2

J		2
K		2
L		6
M		1
N		1
O		1
P		1

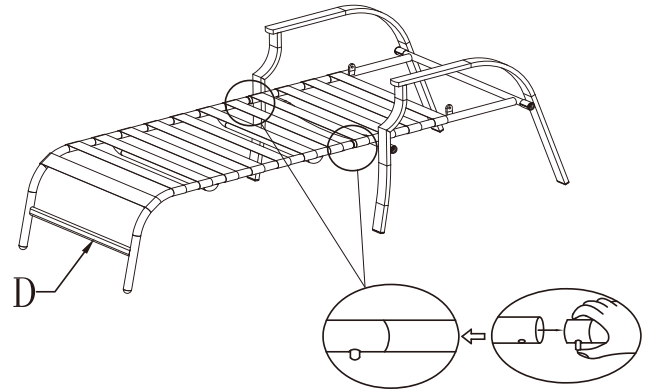
Step 1:

Attach Part A/B/C using bolt G, washer F, cap L as shown in the diagram.



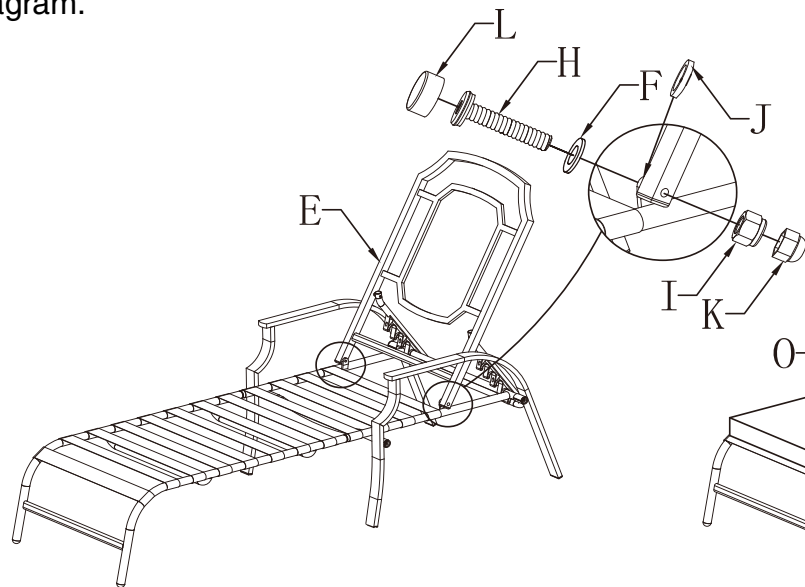
Step 2:

Connect Part D to Part A by inserting male tube to female tube.



Step 3:

Attach Part E to Part A using bolt H, washer F/J, nut I/K as depicted in the diagram.



Step 4:

Place Cushion P/O on the frame.

