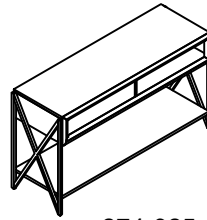


ASSEMBLY INSTRUCTIONS



274-925

TOOLS REQUIRED:

Allen Wrench (supplied, part # E)

BEFORE YOU START:

1. Check the parts against the parts list to make sure all items are present.
2. Assemble your furniture on a soft, flat surface to avoid scratching the finish.
3. **CAUTION:** Do not over tighten screws, nuts or bolts during assembly.
4. Your furniture may require occasional tightening.

INSTRUCTIONS:

Step 1. Turn the Table Top upside down on to a clean, soft surface. Attach the two Side Frames to the Table Top, tighten Bolt (A) with Lock Washer (C) and Flat Washer (D) by Allen Wrench (E) as shown in Figure 1.

Step 2. Attach the Bottom Panel to the Side Frames, tighten Bolt (B) with Lock Washer (C) and Flat Washer (D) by Allen Wrench (E) as shown in Figure 2.

Figure 1

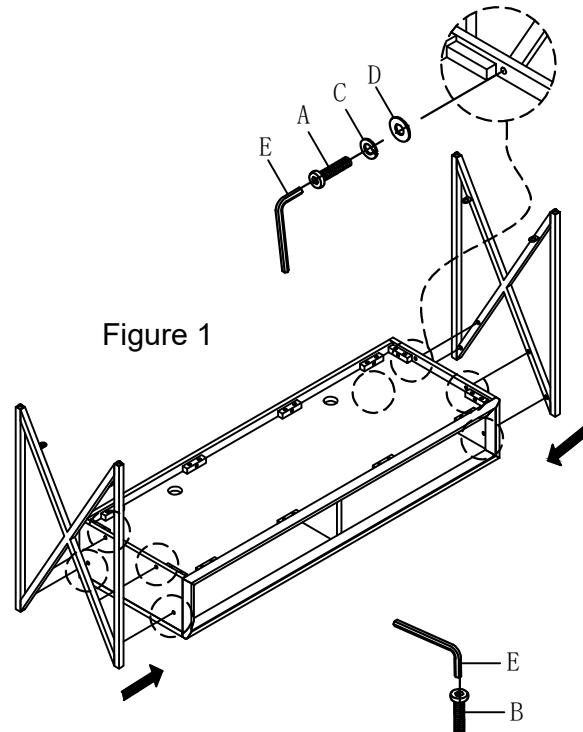
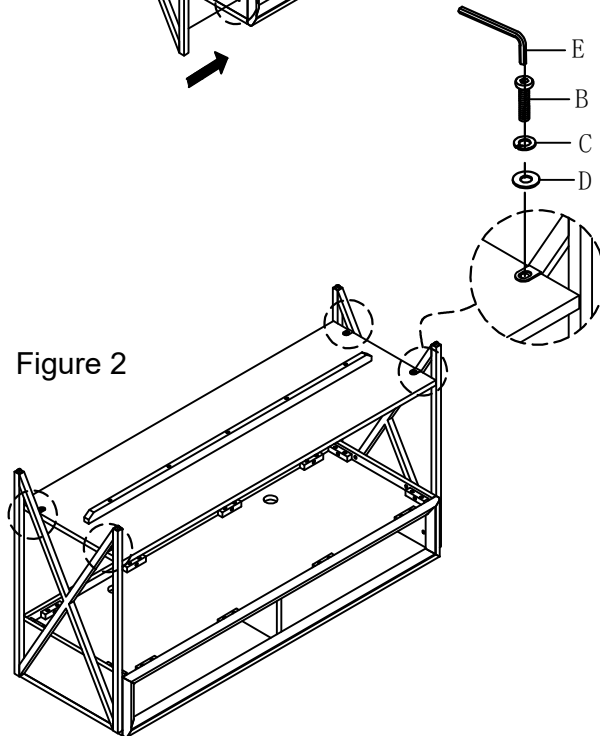







Figure 2



No.	HARDWARE LIST		Q'ty
A		Bolt (Ø1/4"x1-1/4")	8
B		Bolt (Ø1/4"x3/4")	4
C		Lock Washer (Ø1/4")	12
D		Flat Washer (Ø1/4"*16mm)	12
E		Allen Wrench (100*50*4mm)	1

