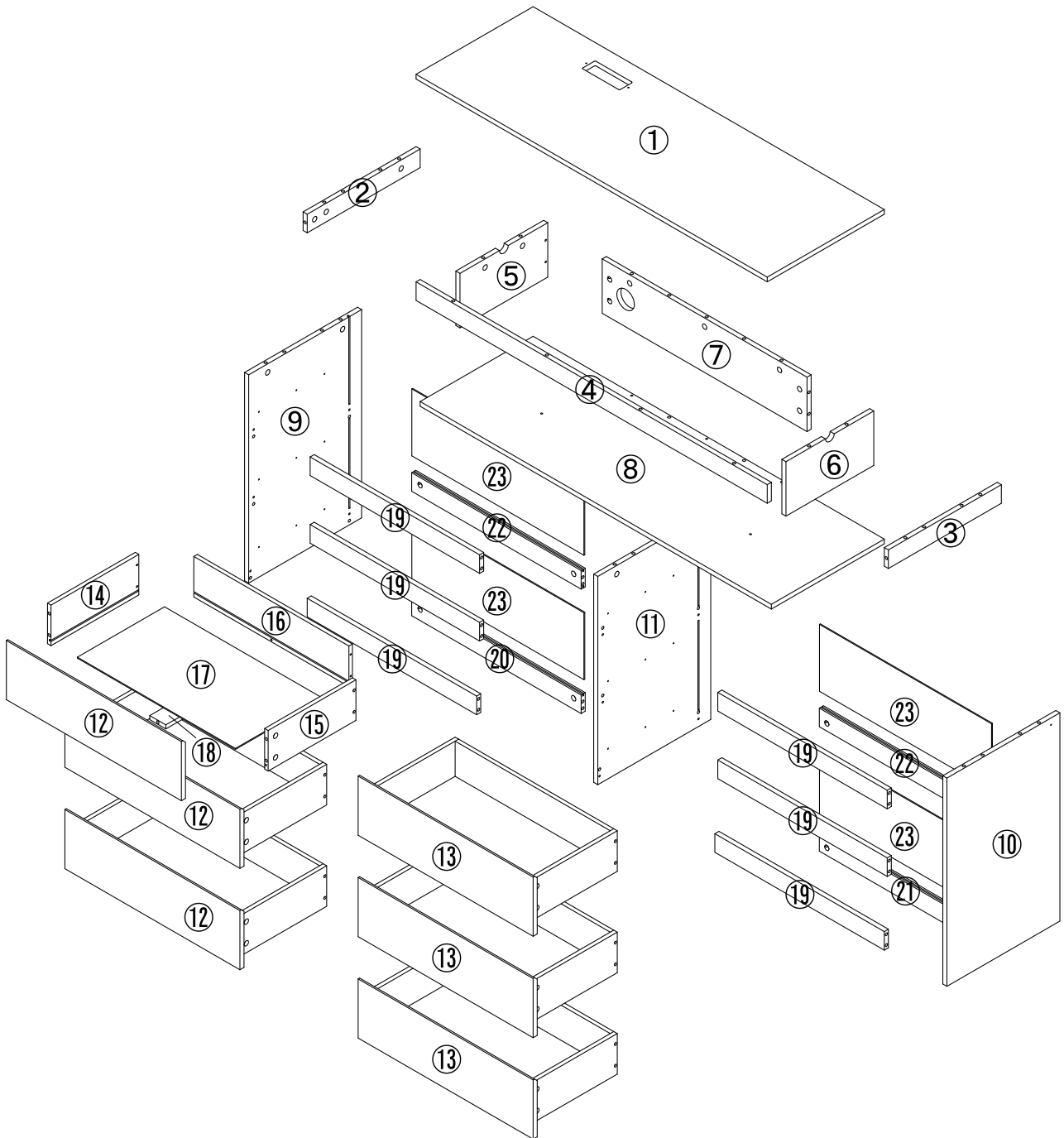


BESIDE TABLE

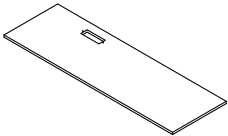
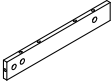
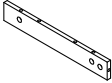
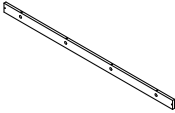
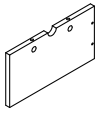
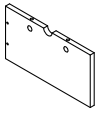
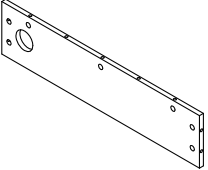
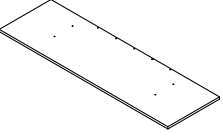
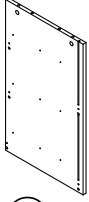

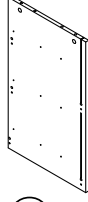
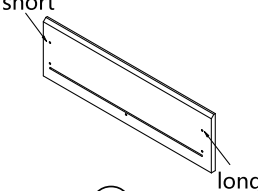
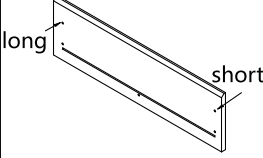
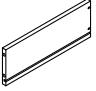
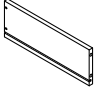
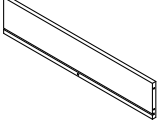
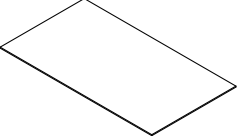
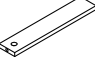
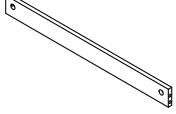
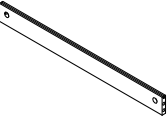
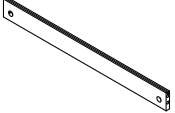
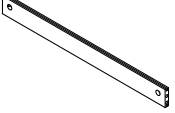
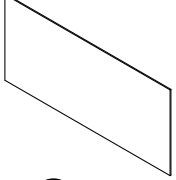
USER MANUAL

1

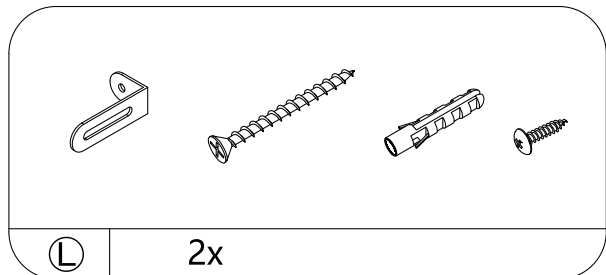
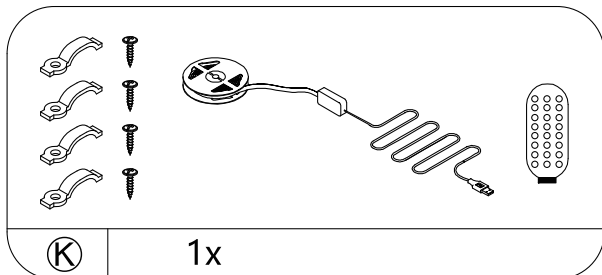
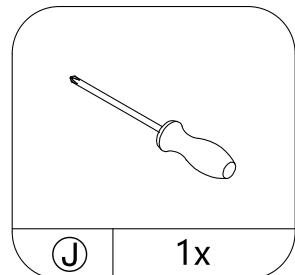
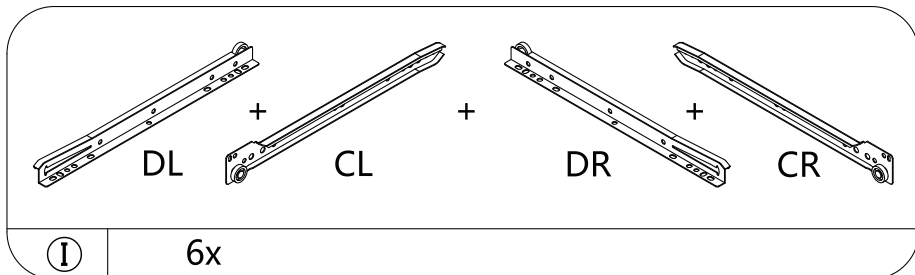
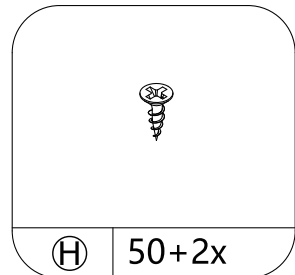
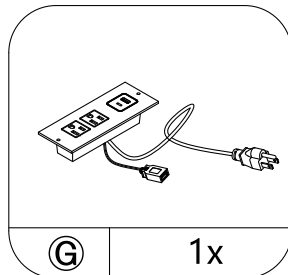
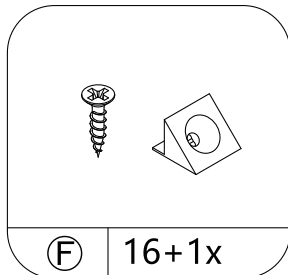
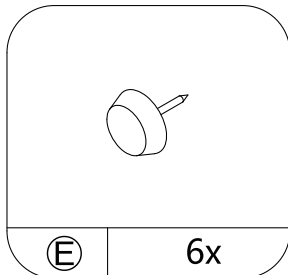
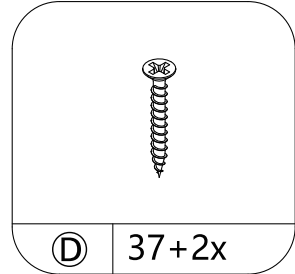
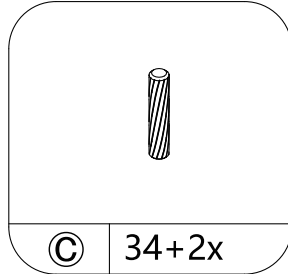
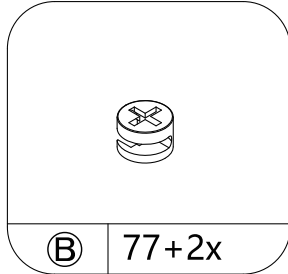
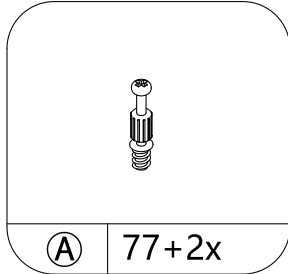
ASSEMBLY INSTRUCTIONS



PACKAGING LIST

 ①x1	 ②x1	 ③x1	 ④x1
 ⑤x1	 ⑥x1	 ⑦x1	 ⑧x1
 ⑨x1	 ⑩x1	 ⑪x1	 ⑫x3
 ⑬x3	 ⑭x6	 ⑮x6	 ⑯x6
 ⑰x6	 ⑱x6	 ⑲x6	 ⑳x1
 ㉑x1	 ㉒x2	 ㉓x4	

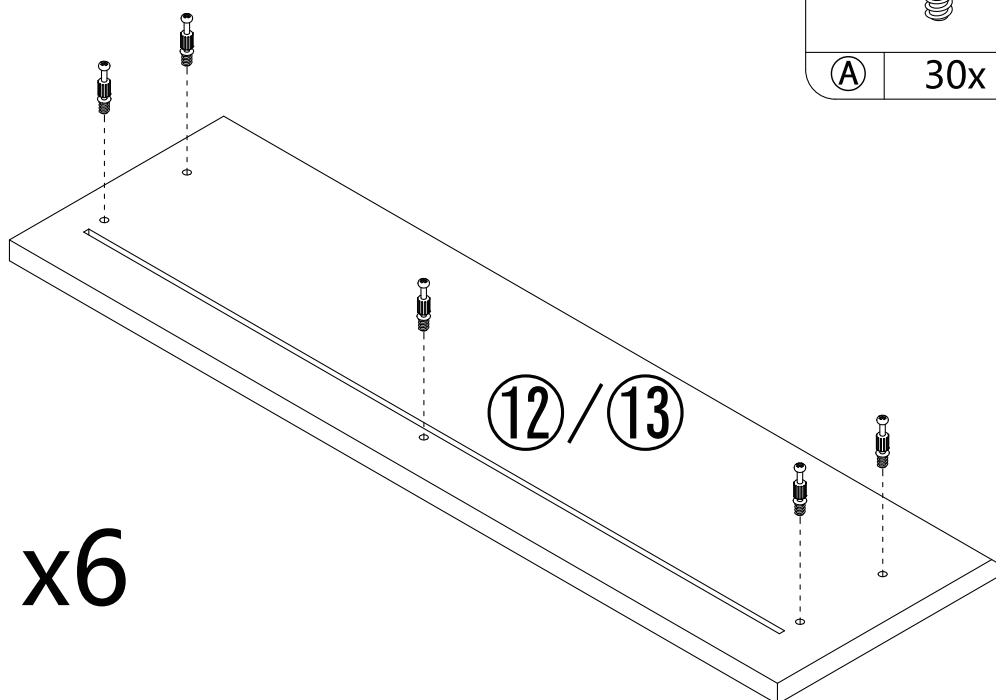
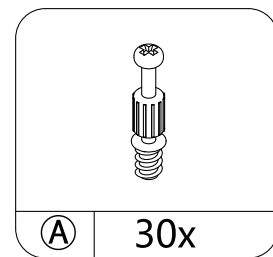
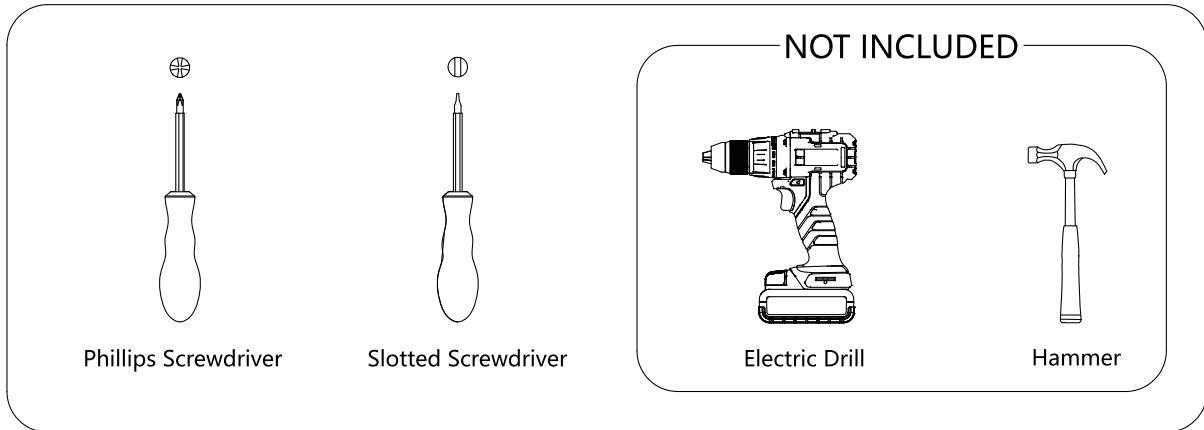
PACKAGING LIST



4

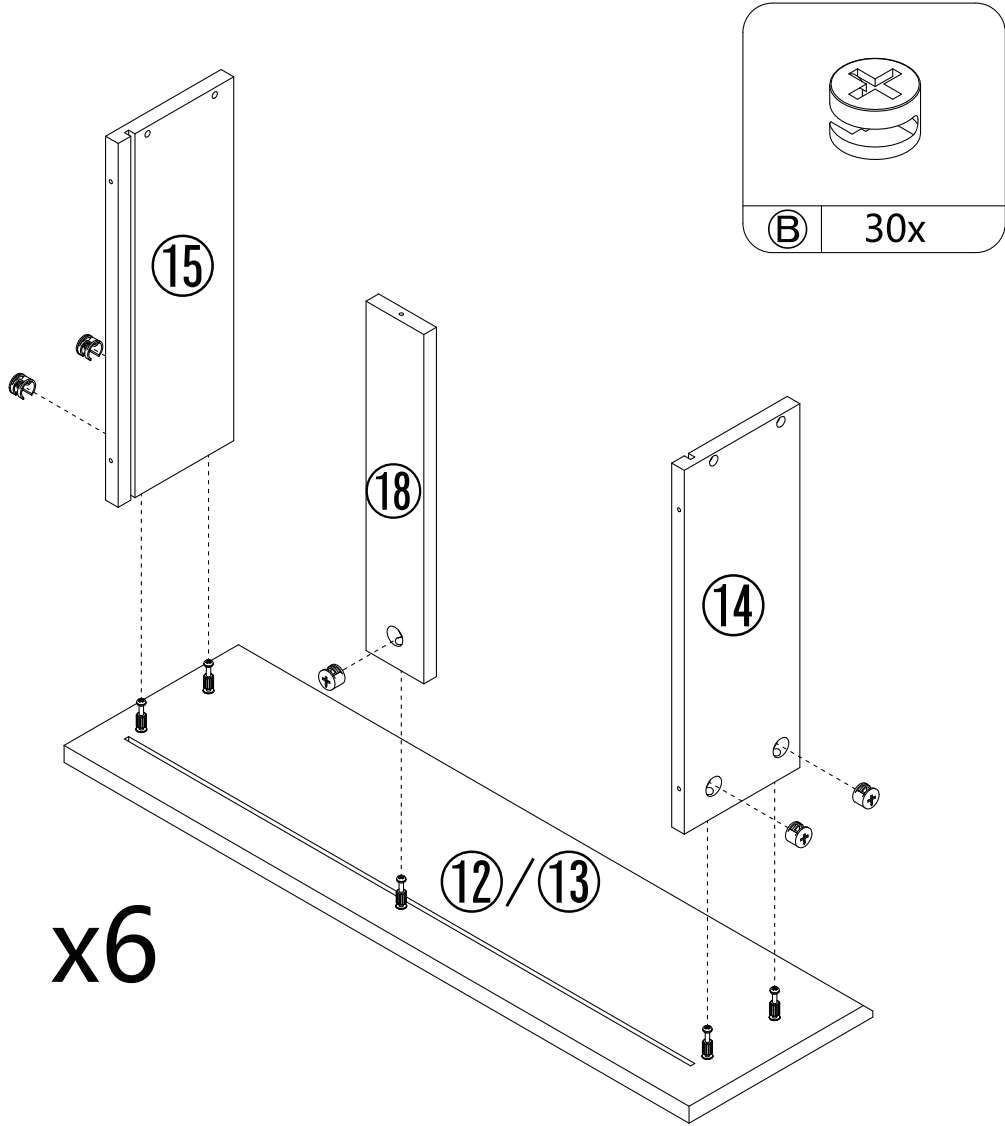
STEP 1

Recommended for two-person. Estimated time: 1 hour. Suggested tools:

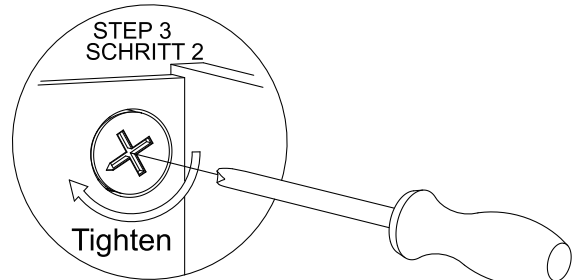
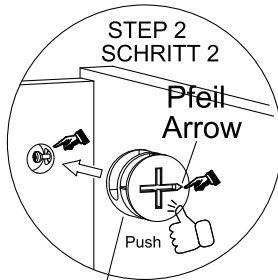
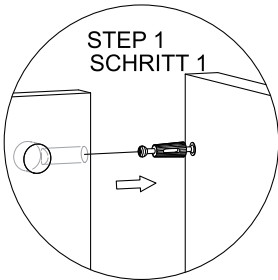


5

STEP 2



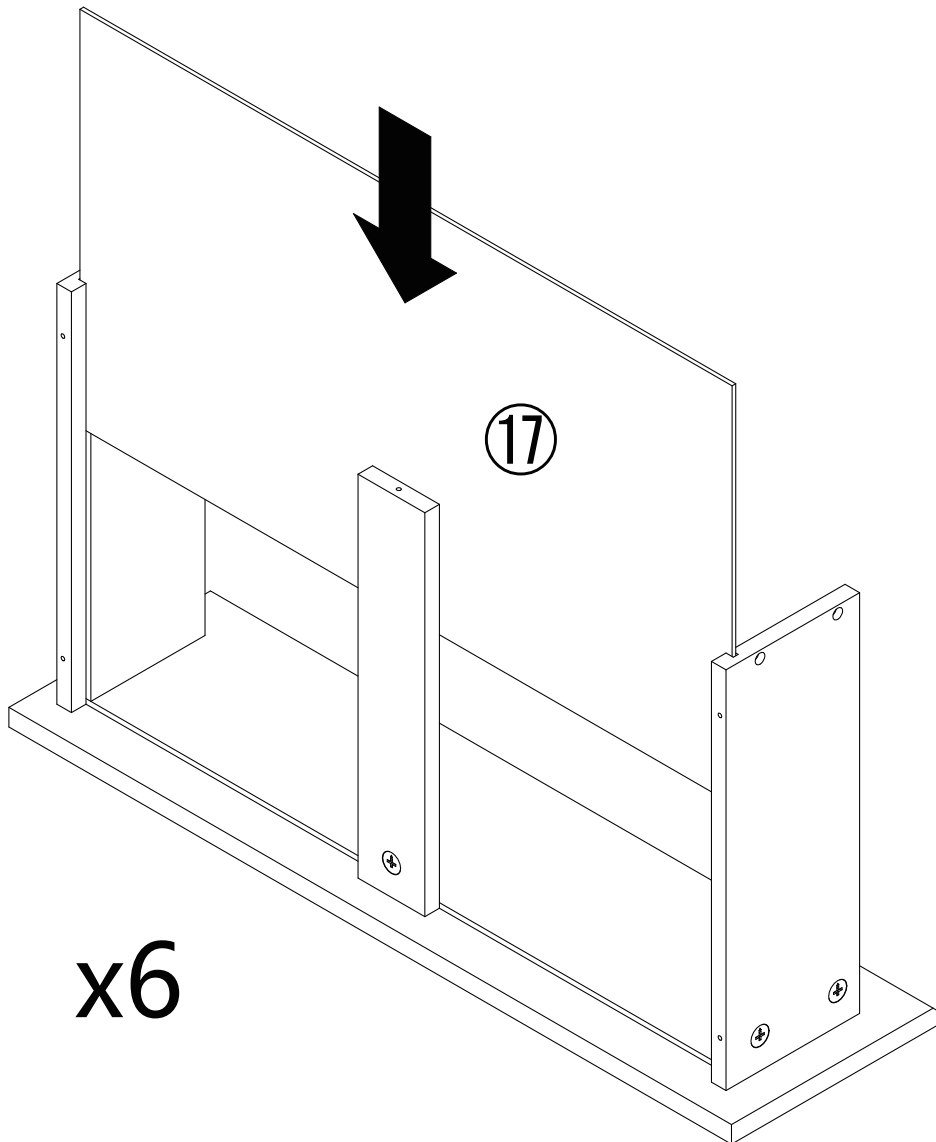
x6



Push the KD cam all the way into the hole before tightening.

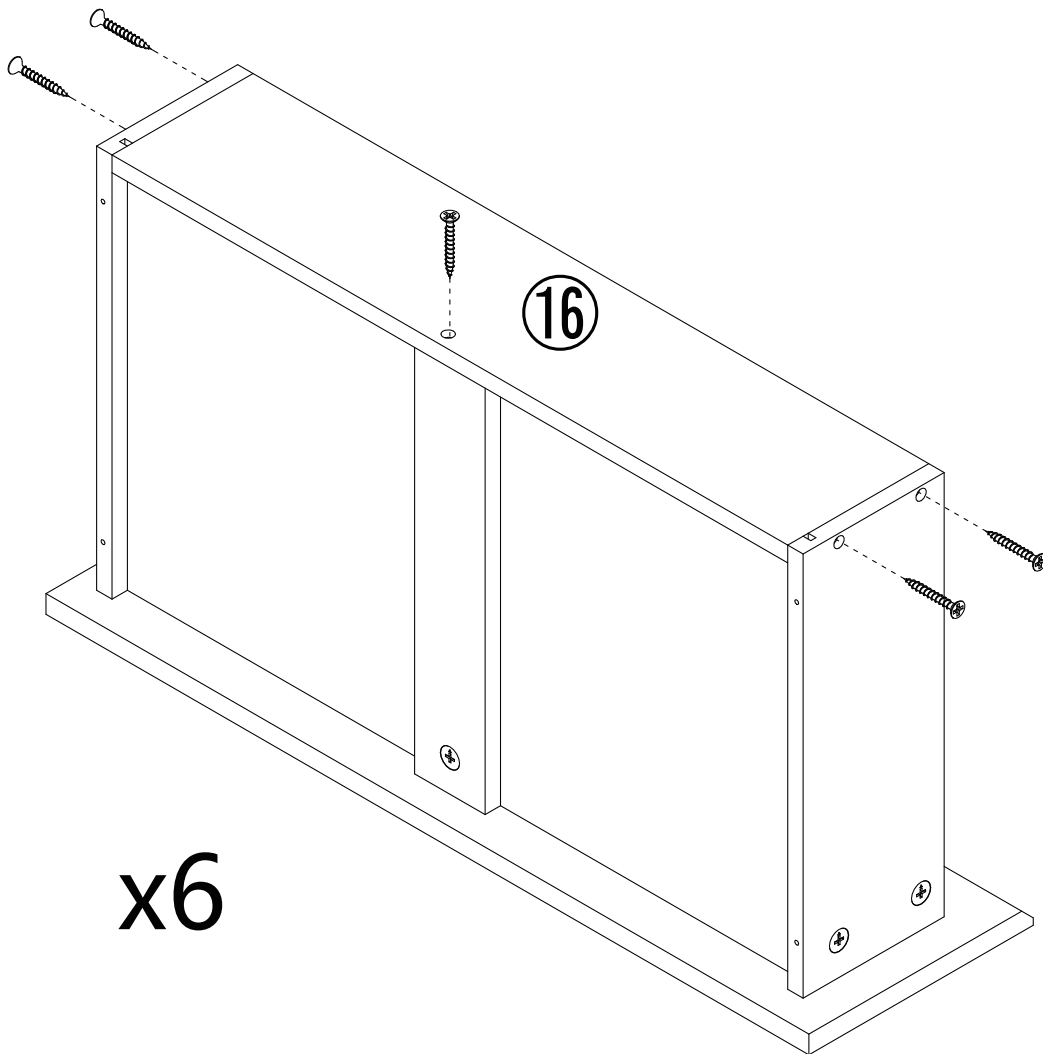
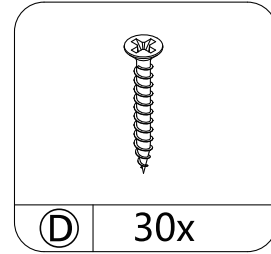
6

STEP 3



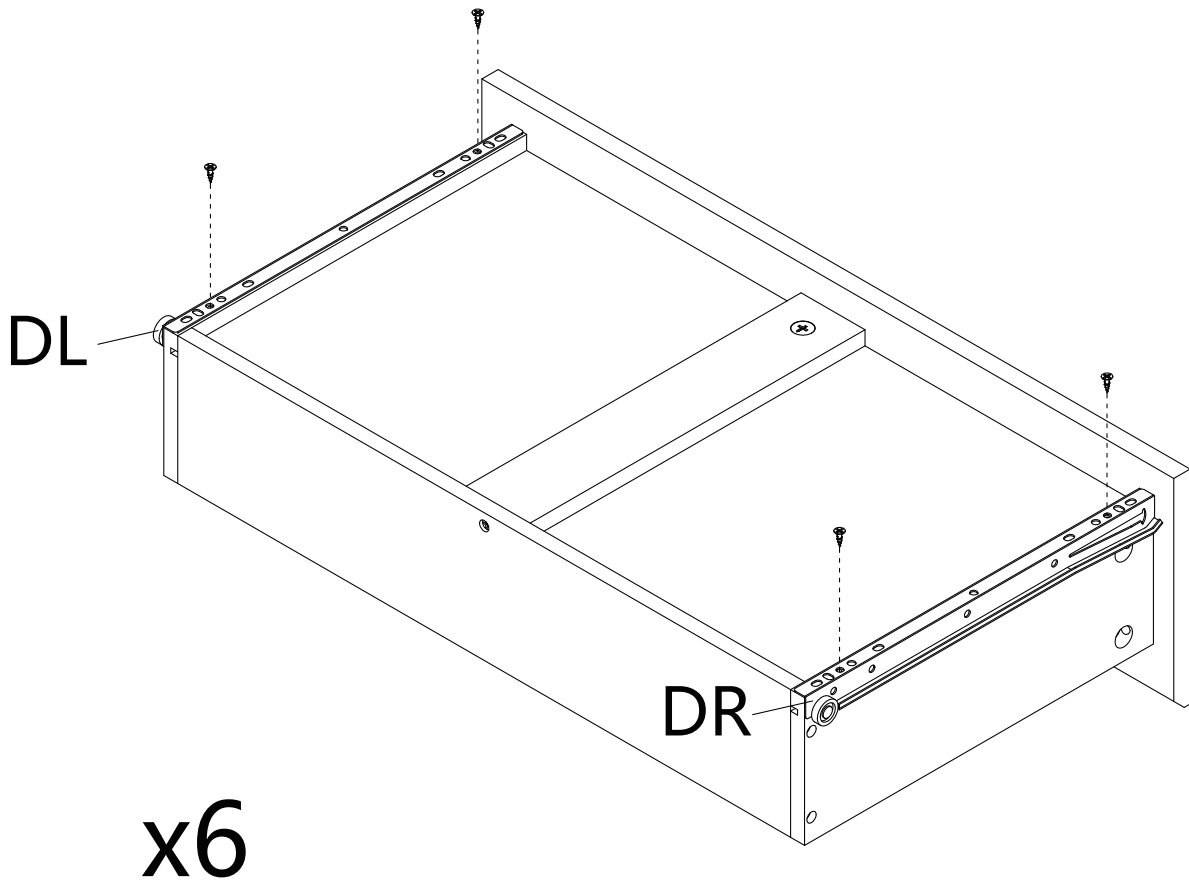
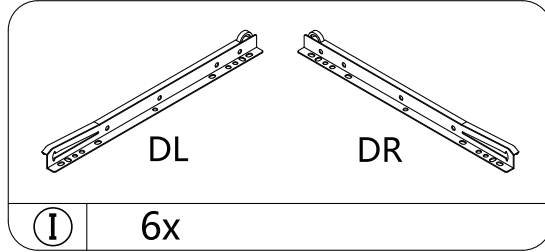
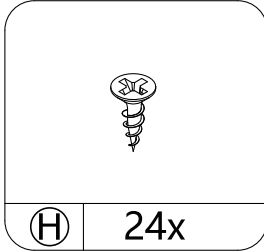
7

STEP 4



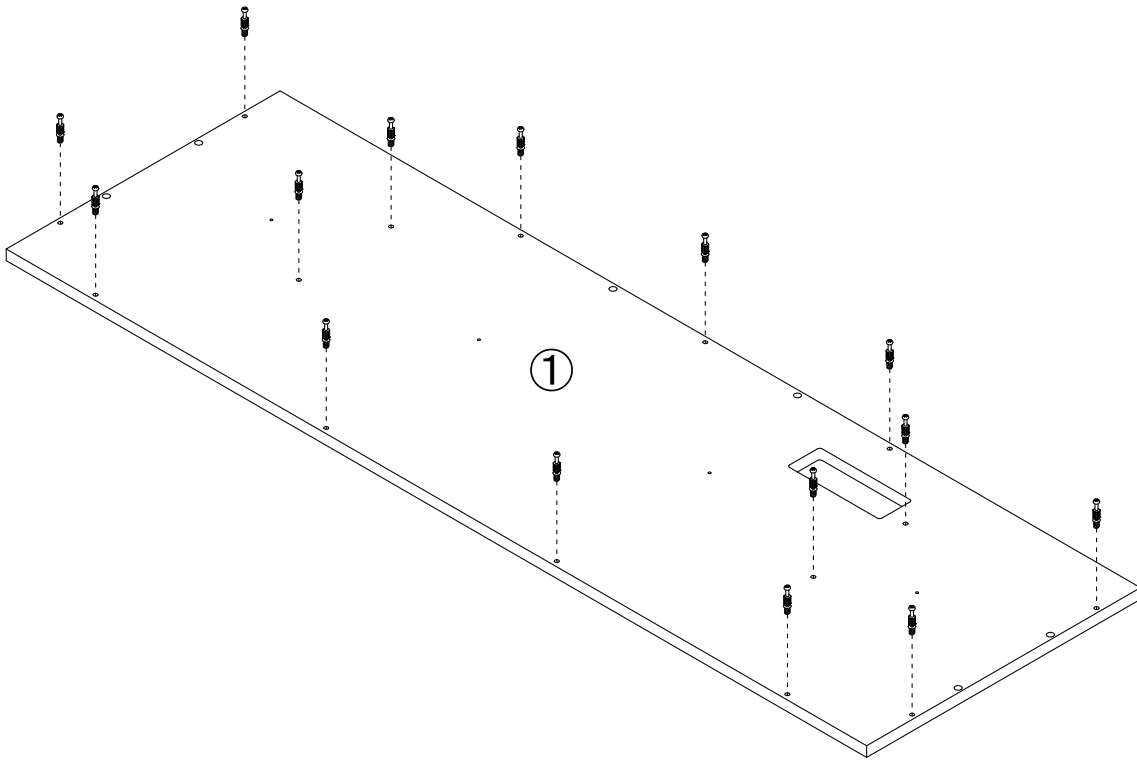
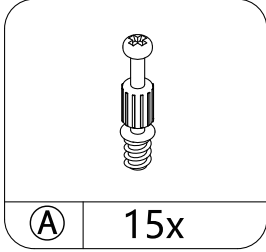
8

STEP 5

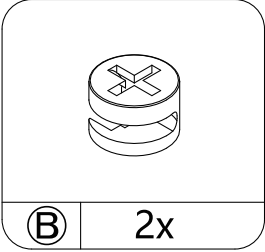
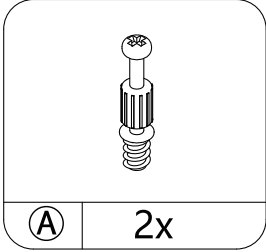


9

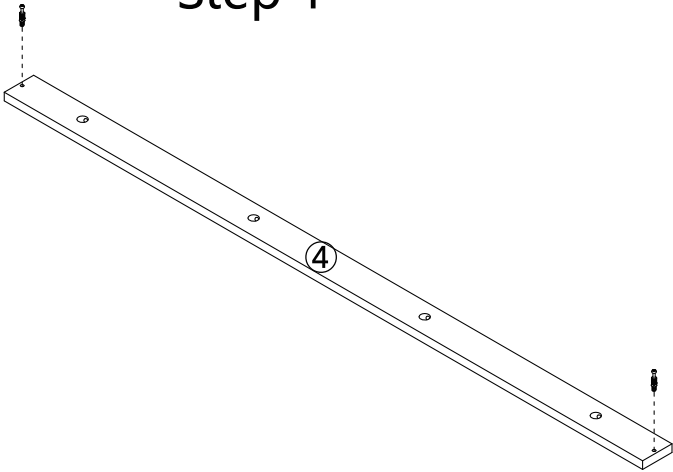
STEP 6



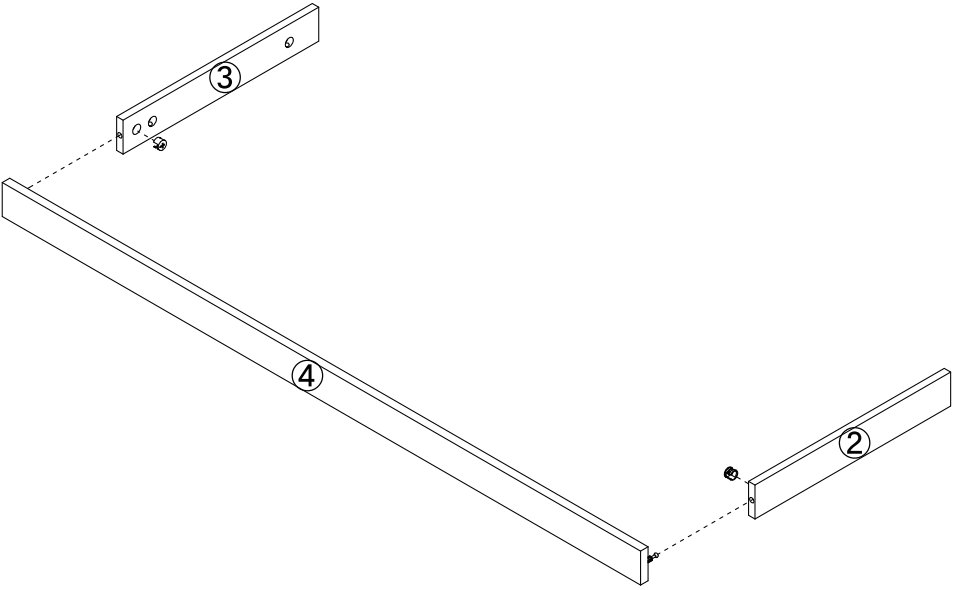
STEP 7



Step 1

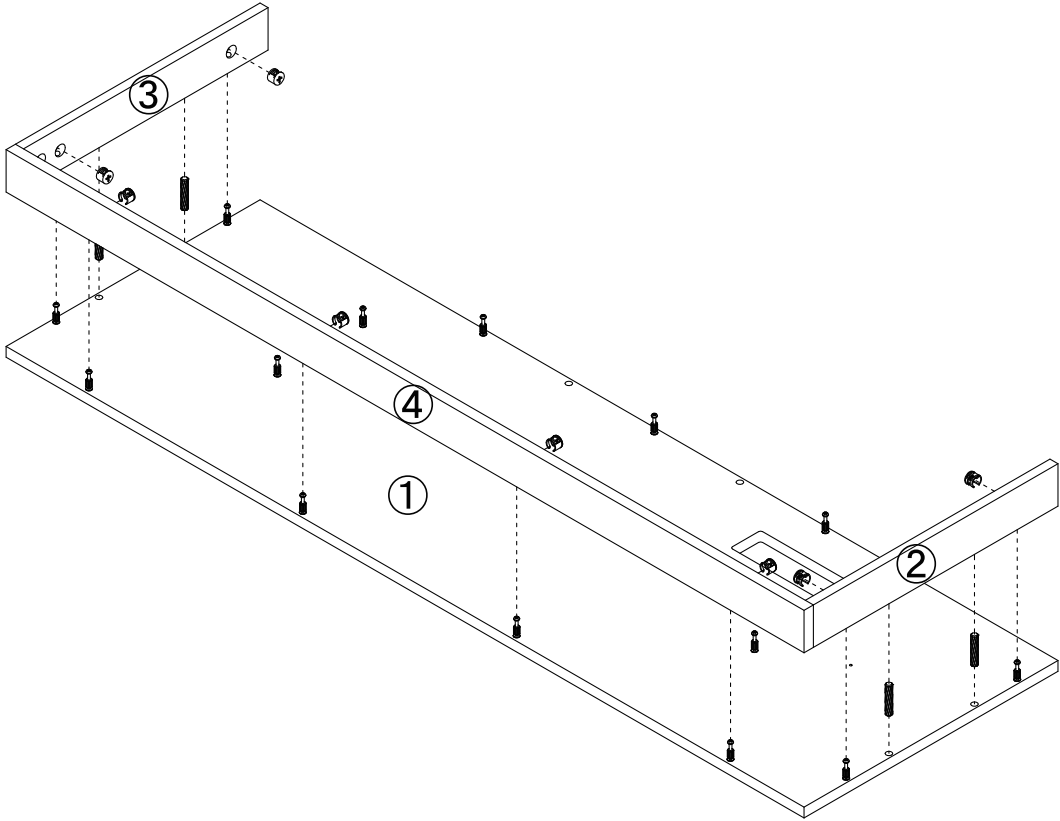
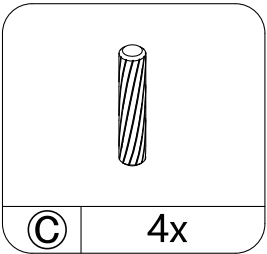
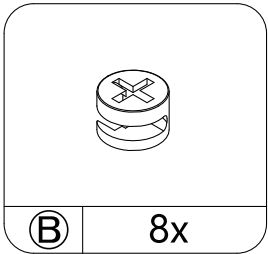


Step 2



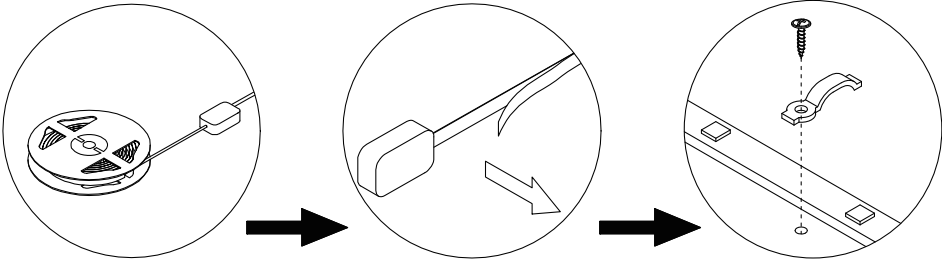
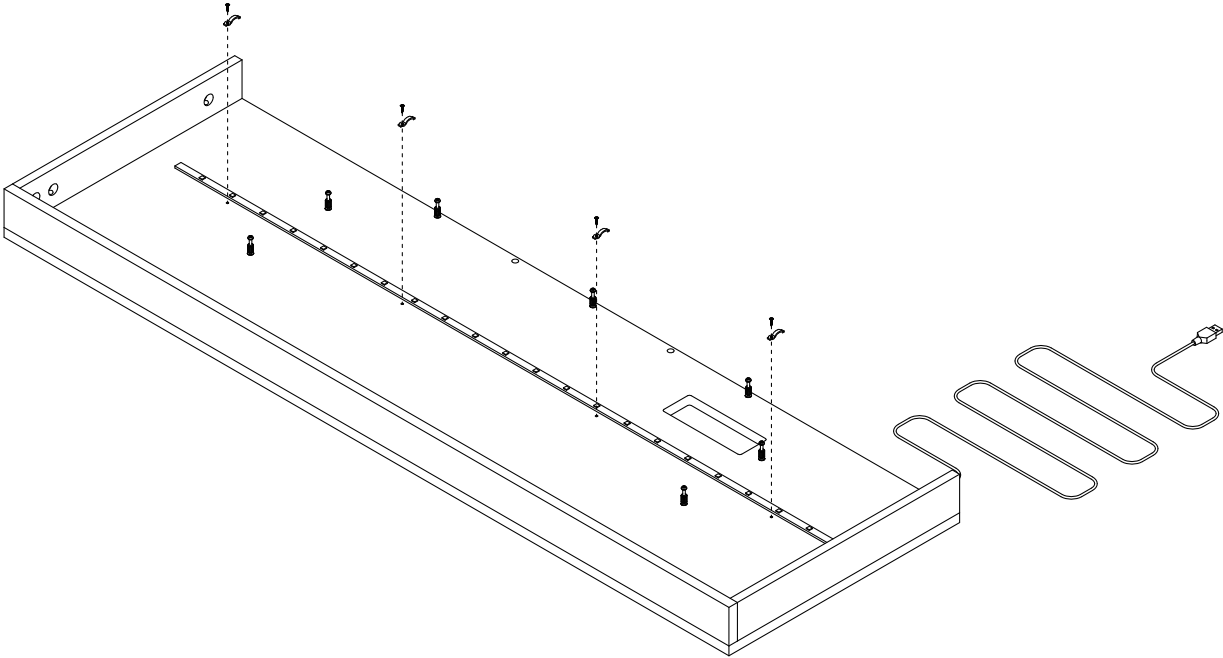
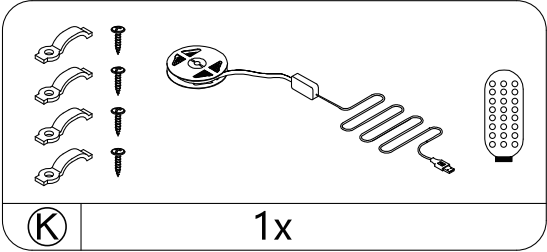
11

STEP 8

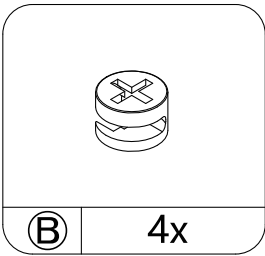
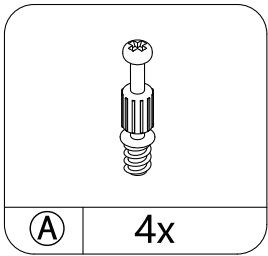


12

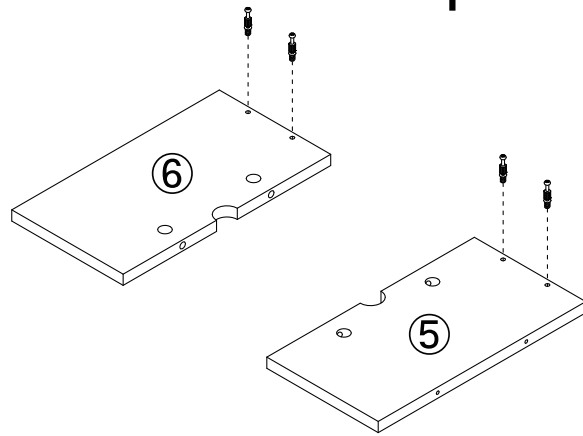
STEP 9



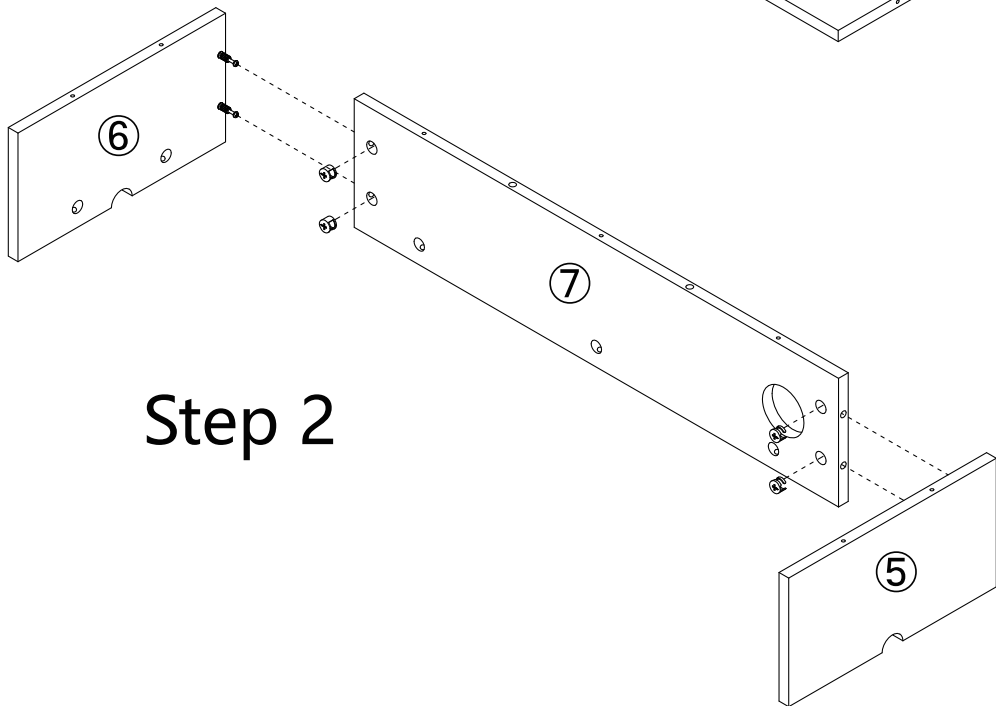
STEP 10



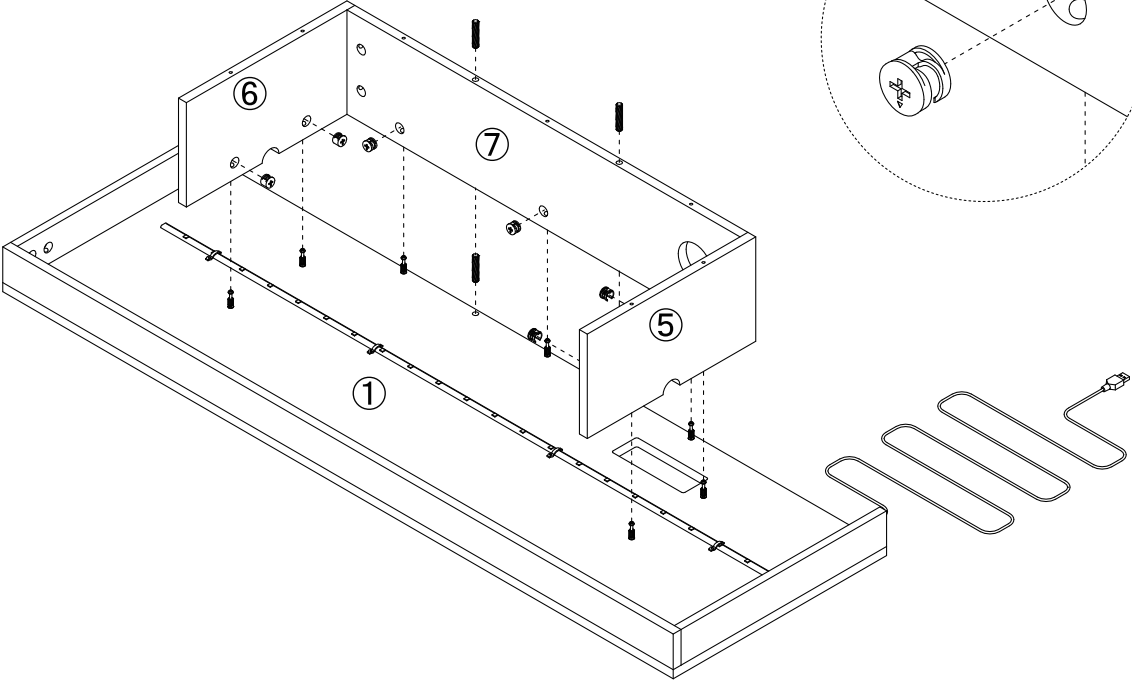
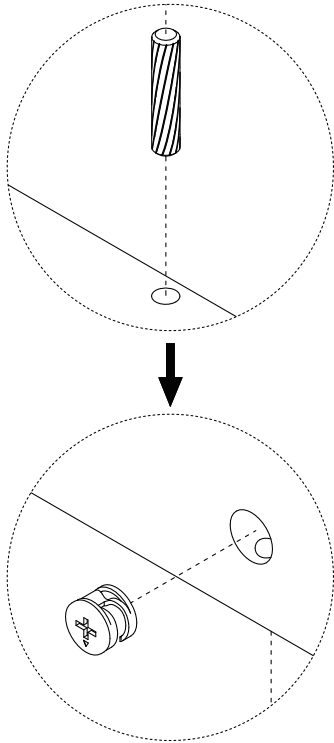
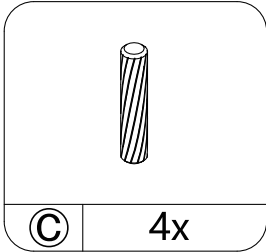
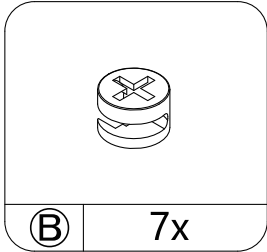
Step 1



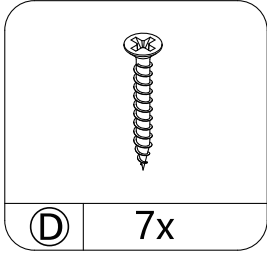
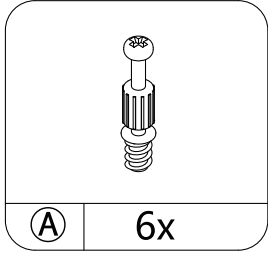
Step 2



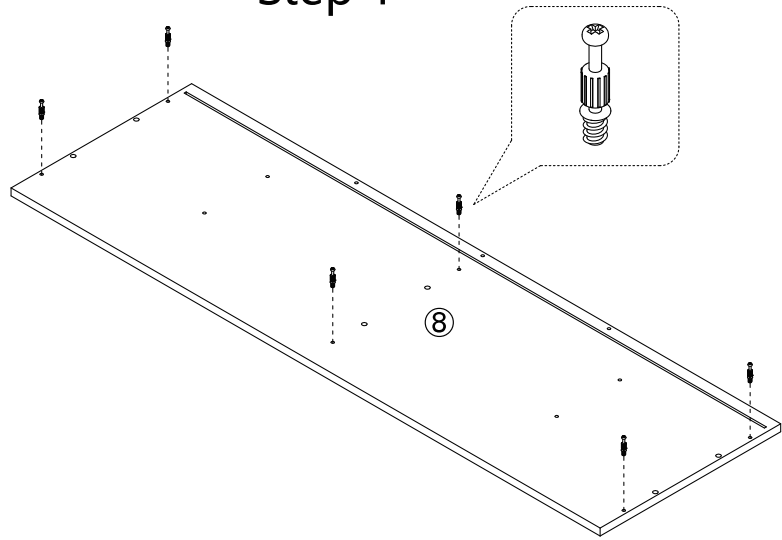
STEP 11



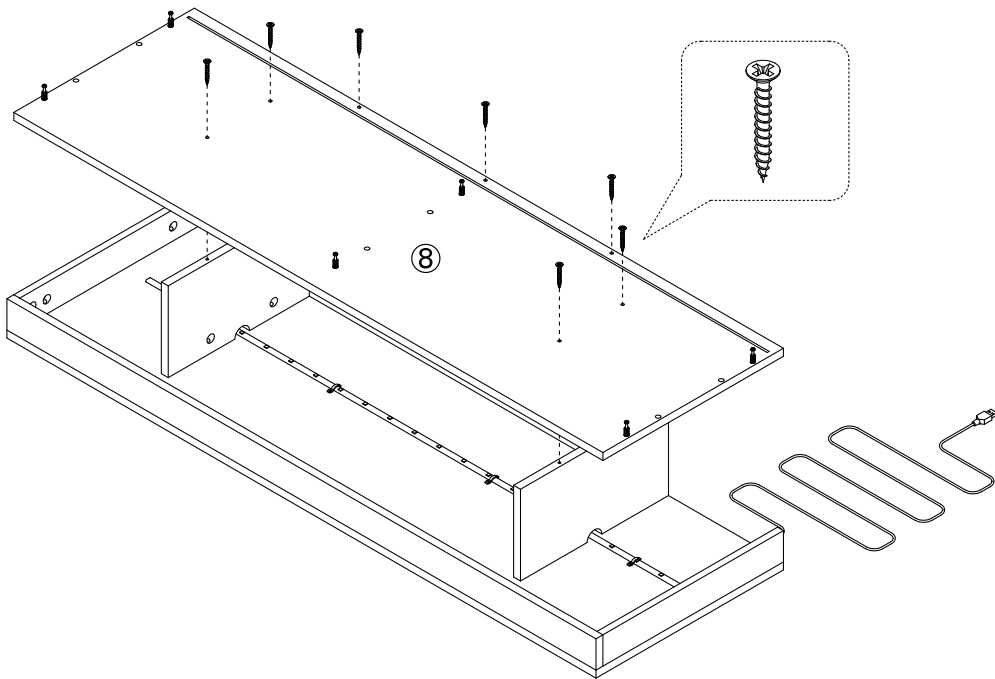
STEP 12



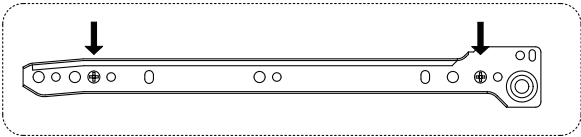
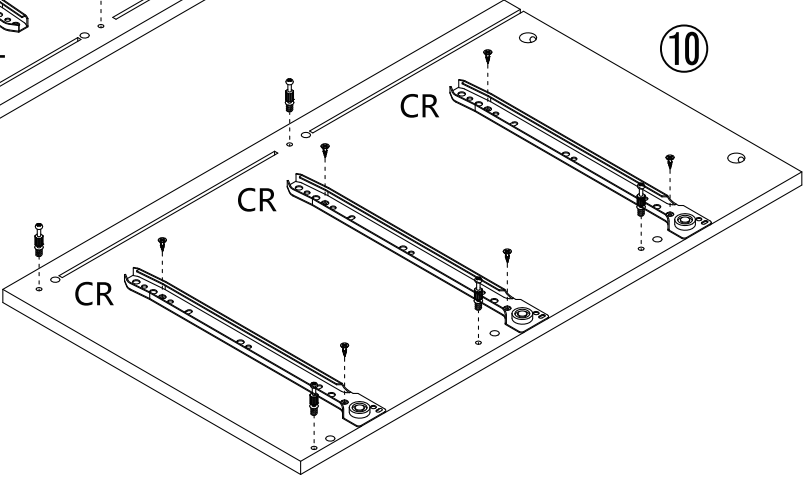
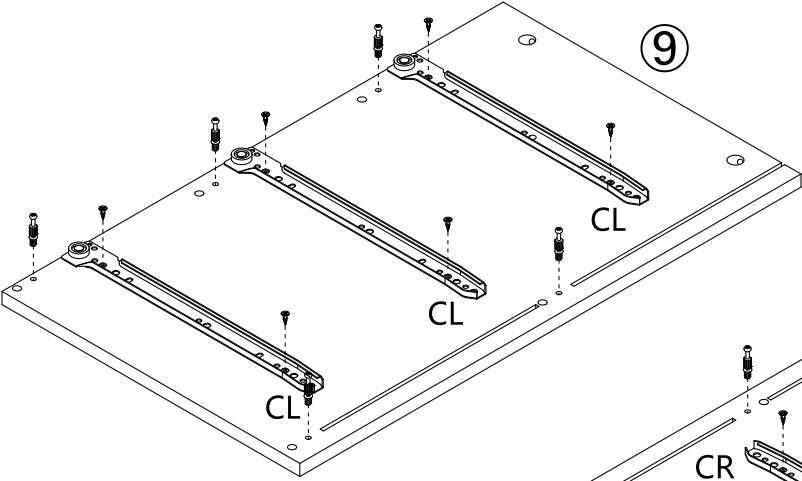
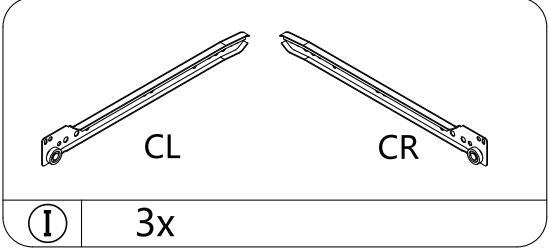
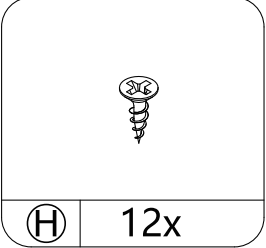
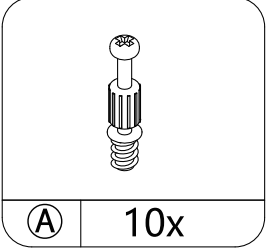
Step 1



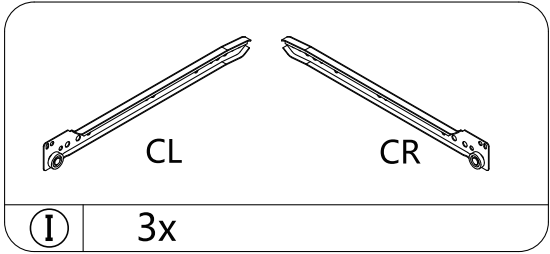
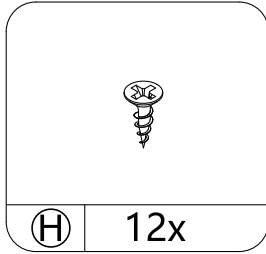
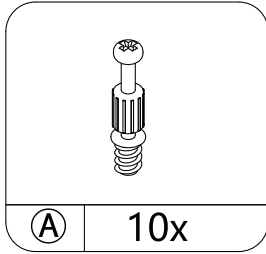
Step 2



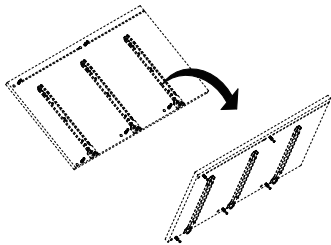
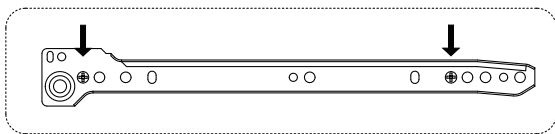
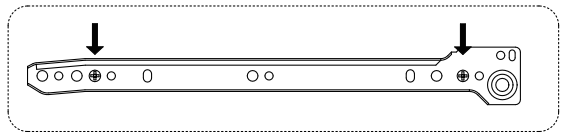
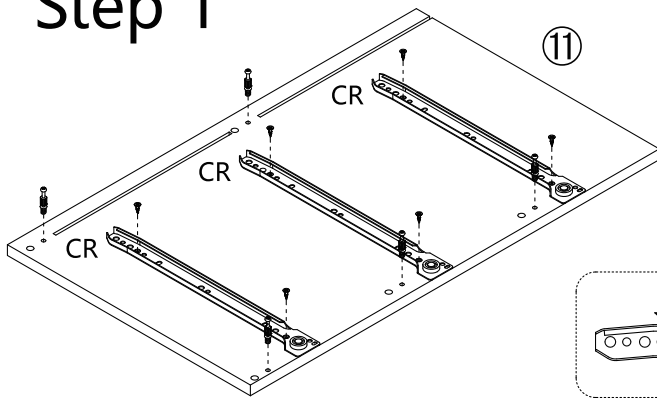
STEP 13



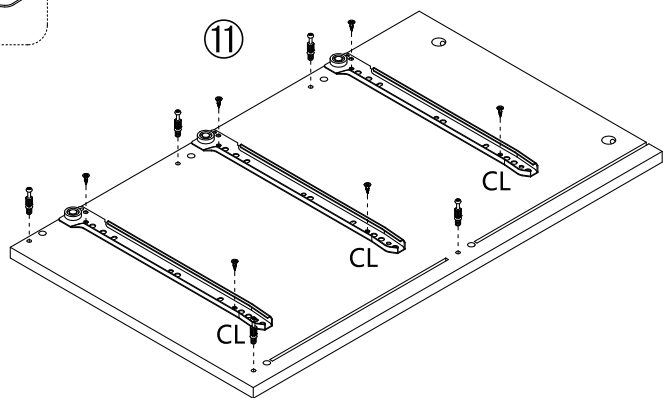
STEP 14



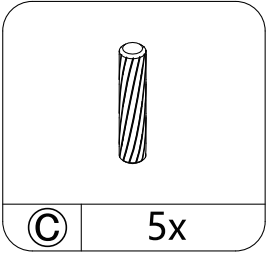
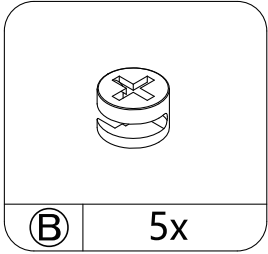
Step 1



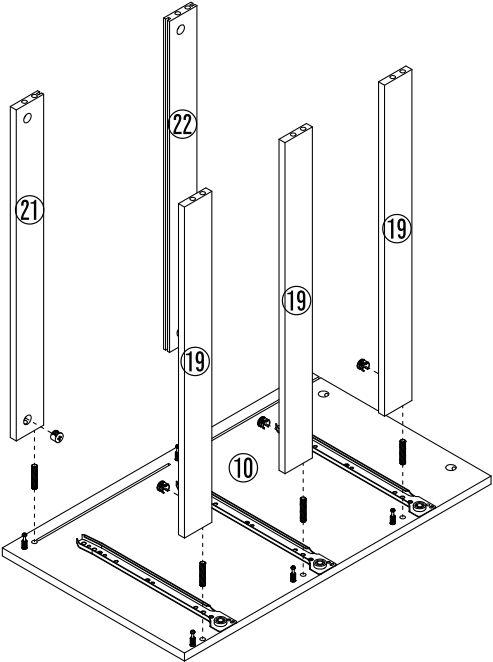
Step 2



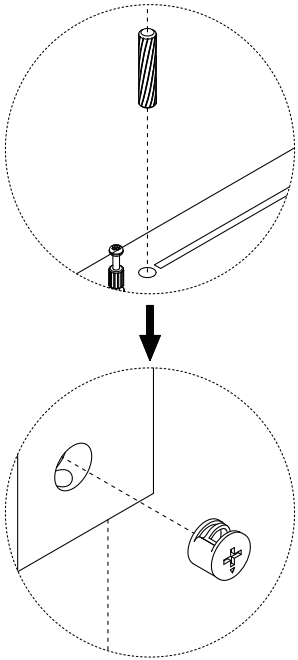
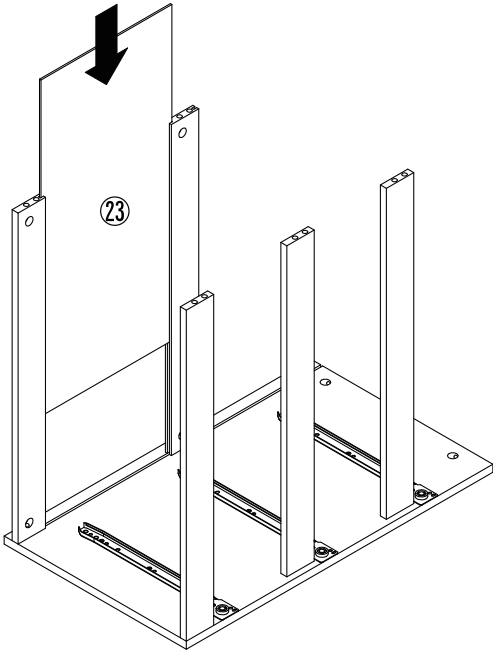
STEP 15



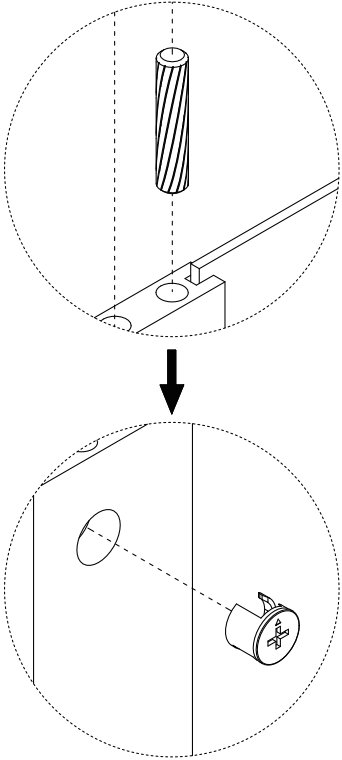
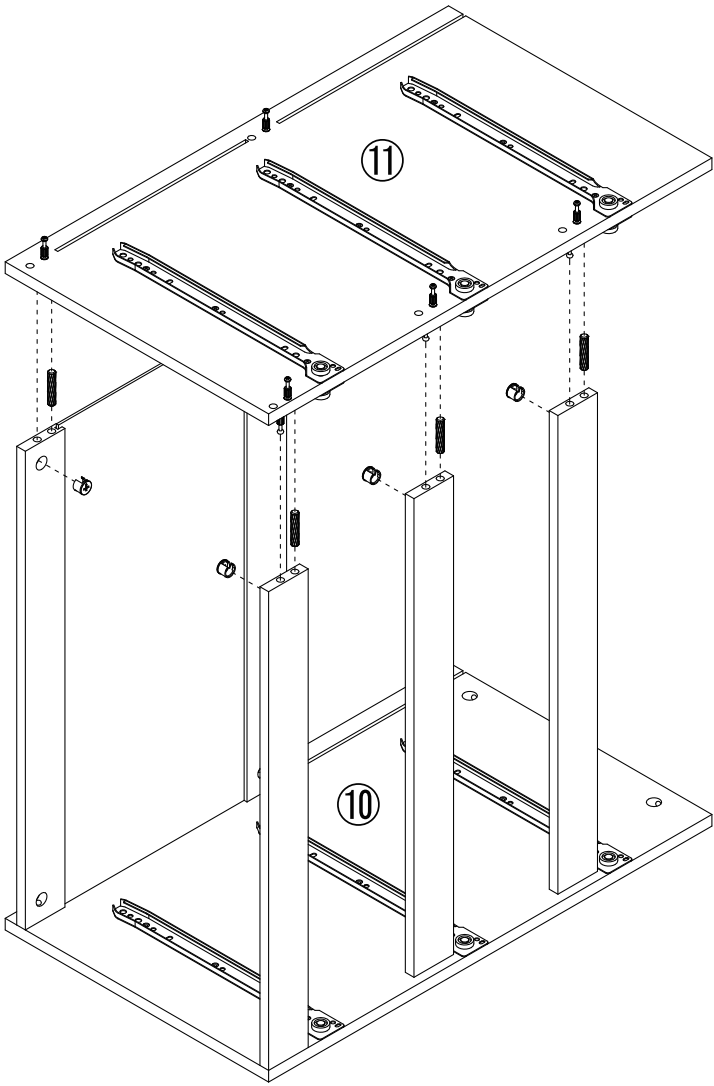
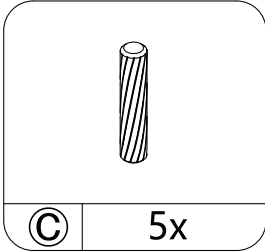
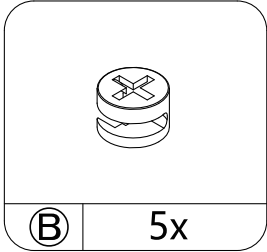
Step 1



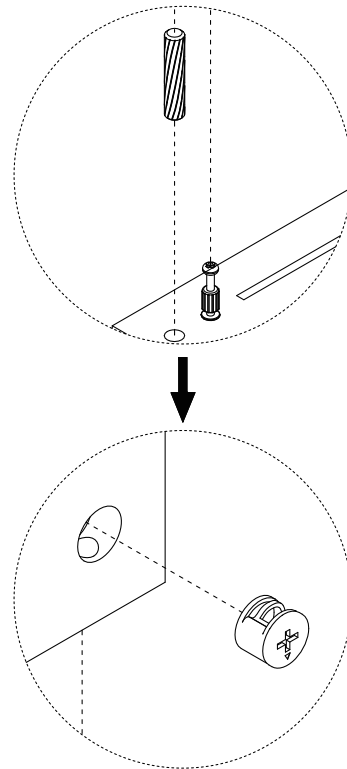
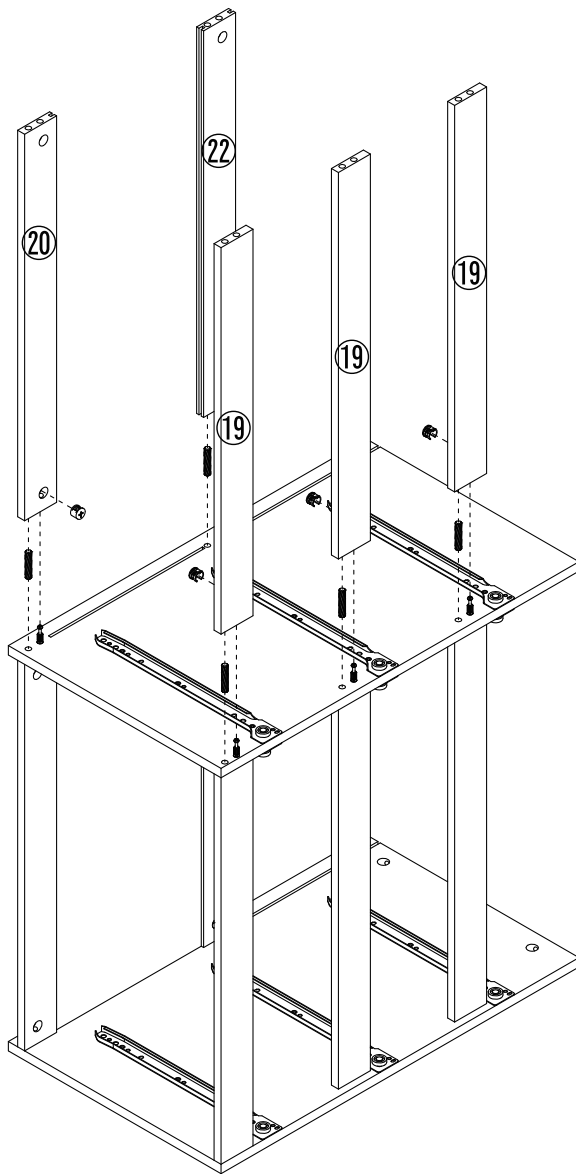
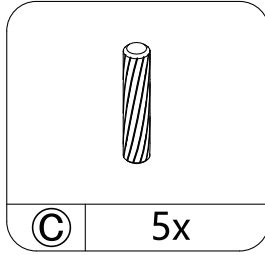
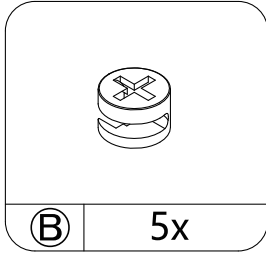
Step 2



STEP 16

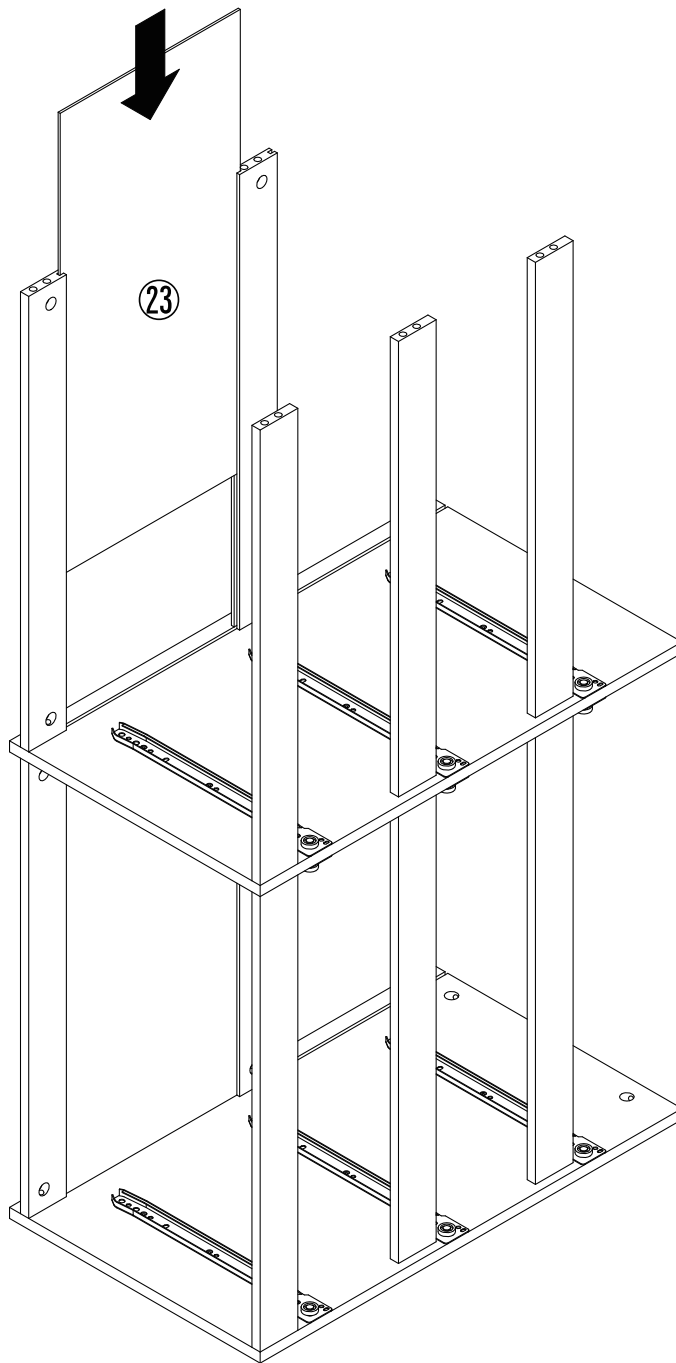


STEP 17

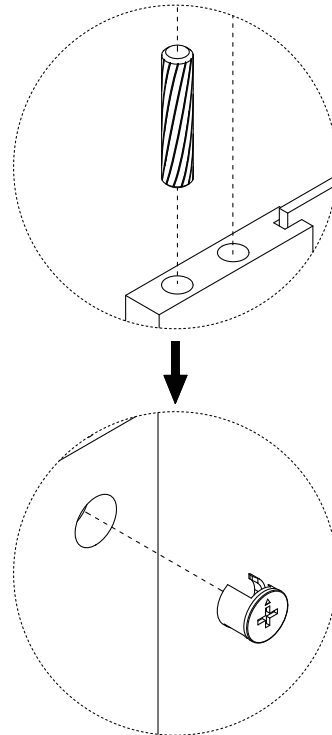
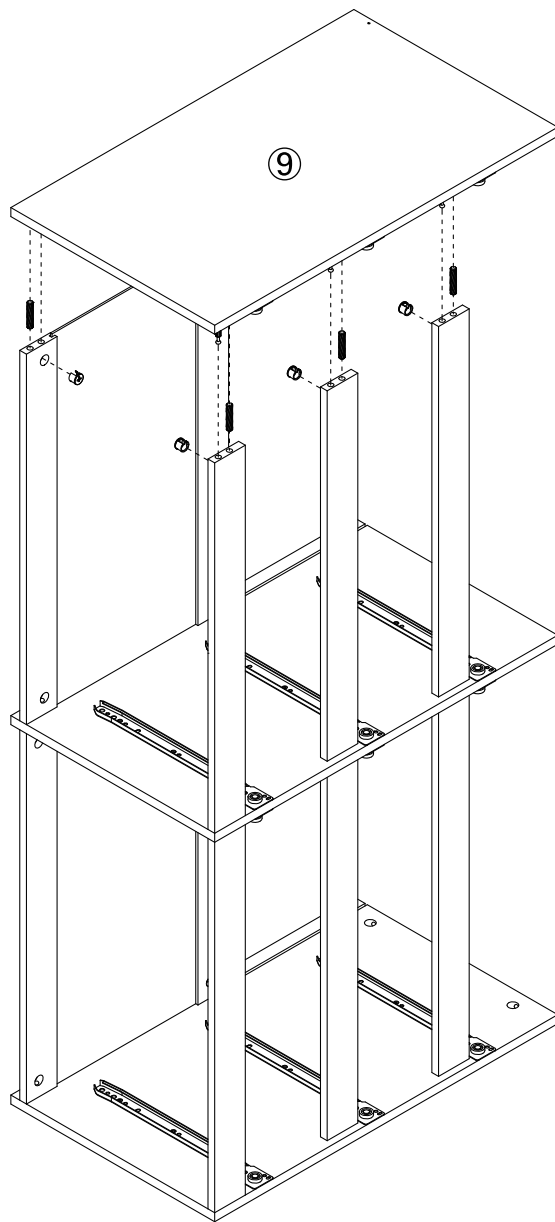
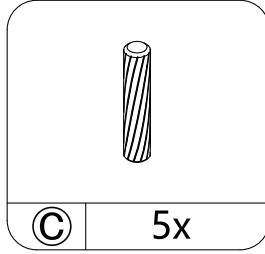
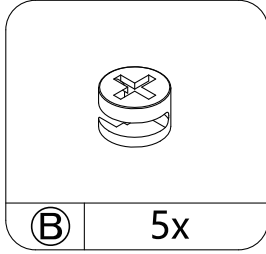


21

STEP 18

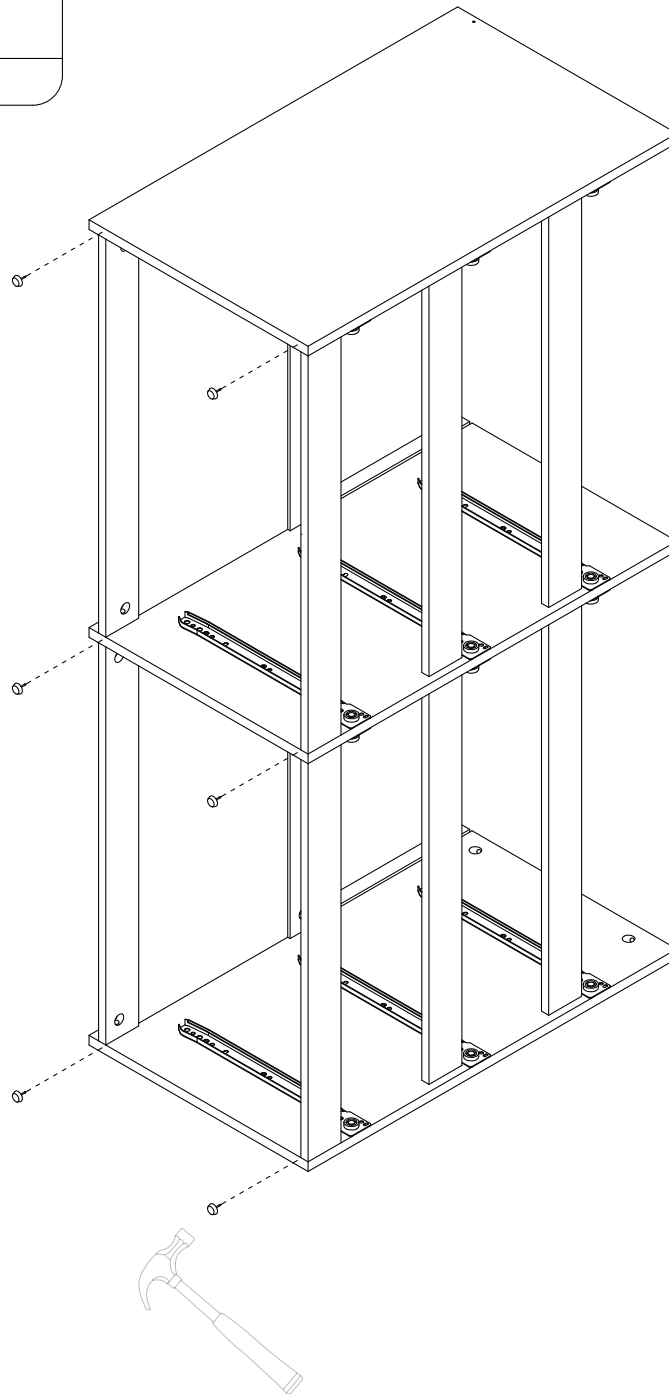
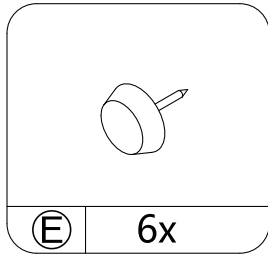


STEP 19



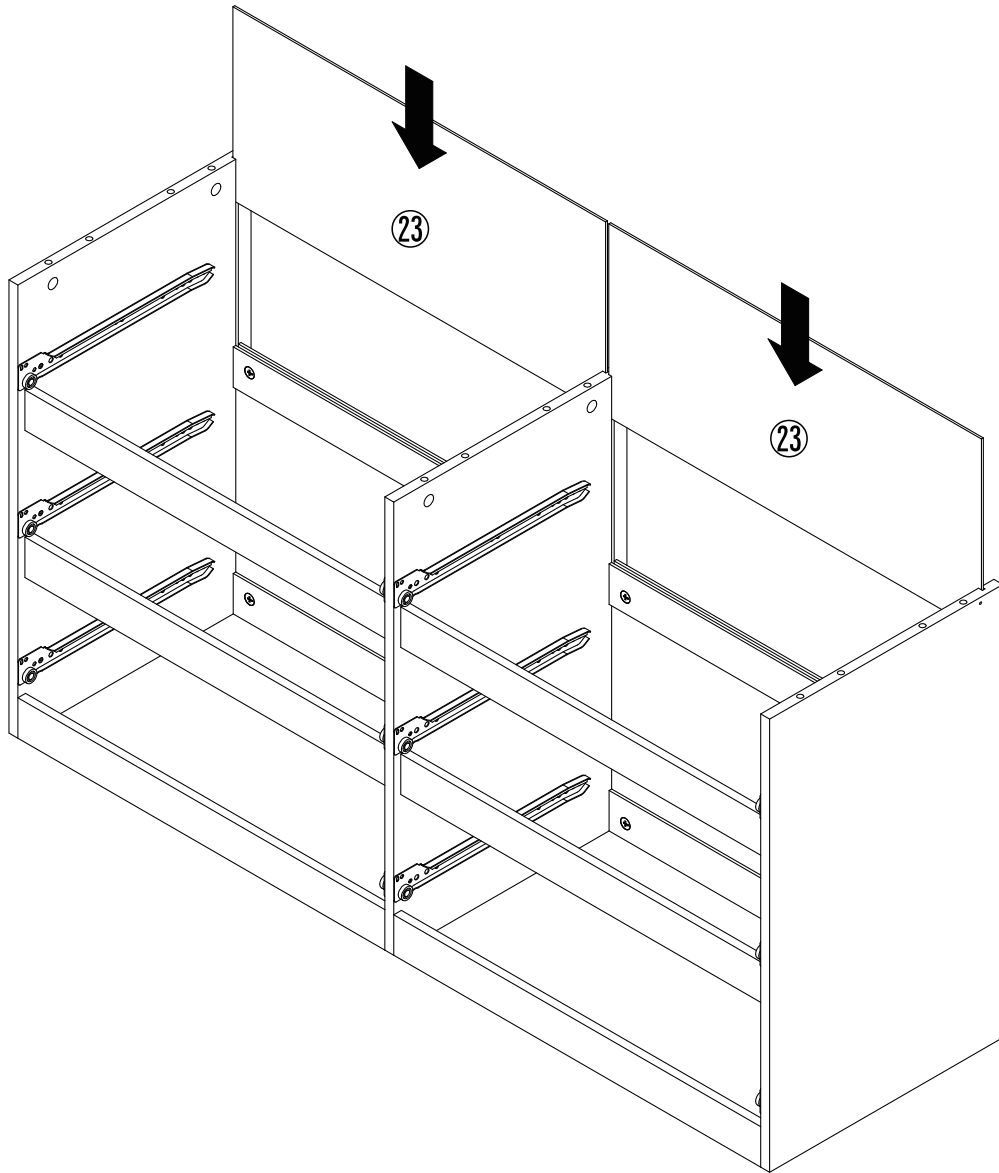
23

STEP 20

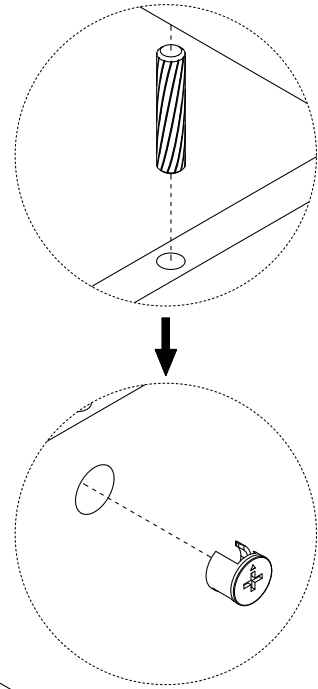
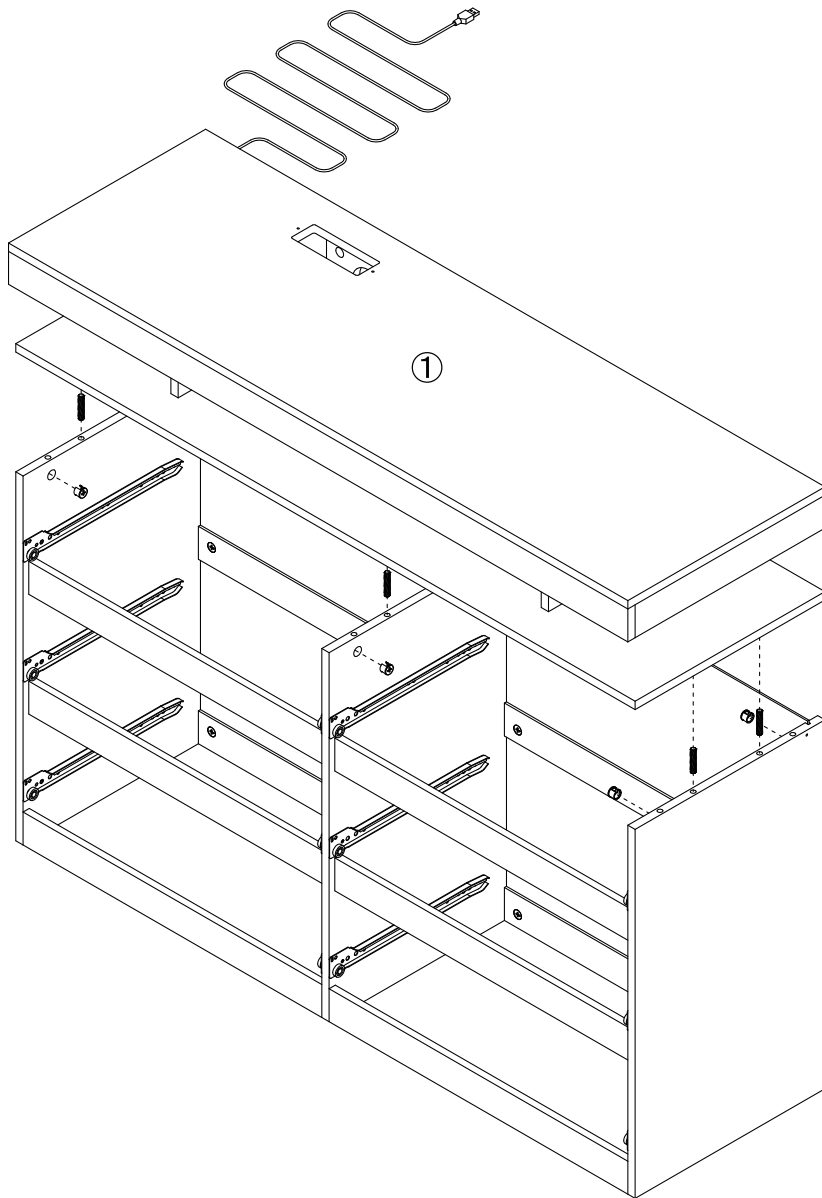
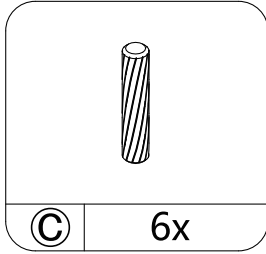
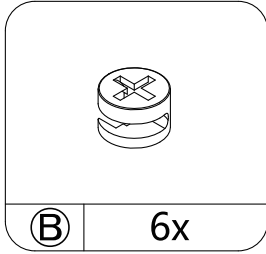


24

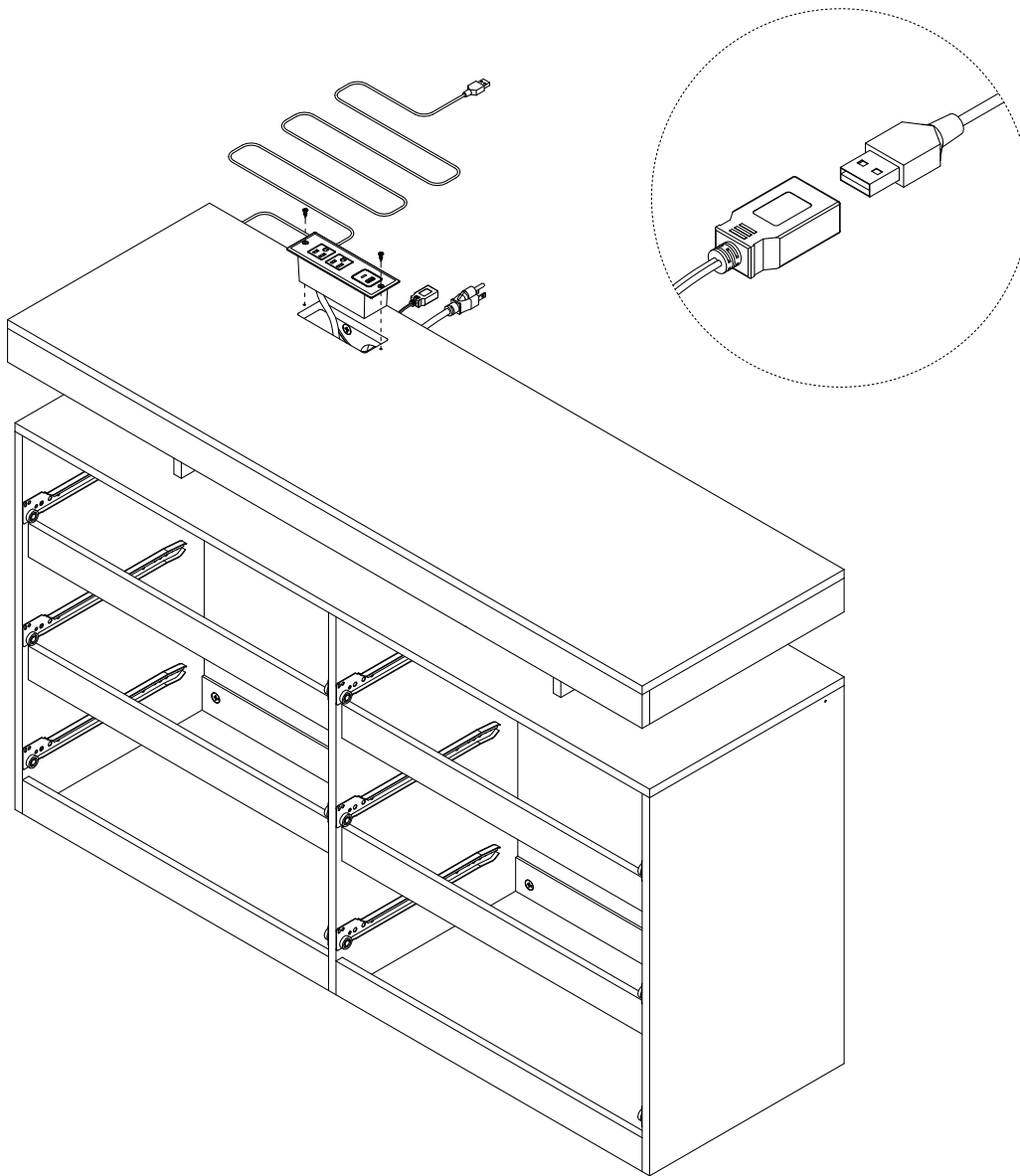
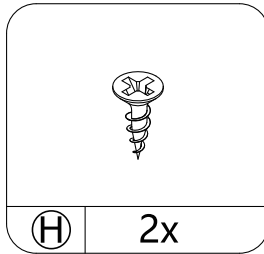
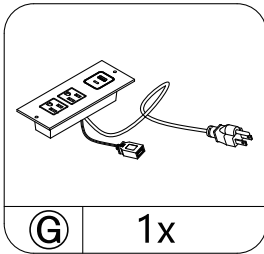
STEP 21



STEP 22

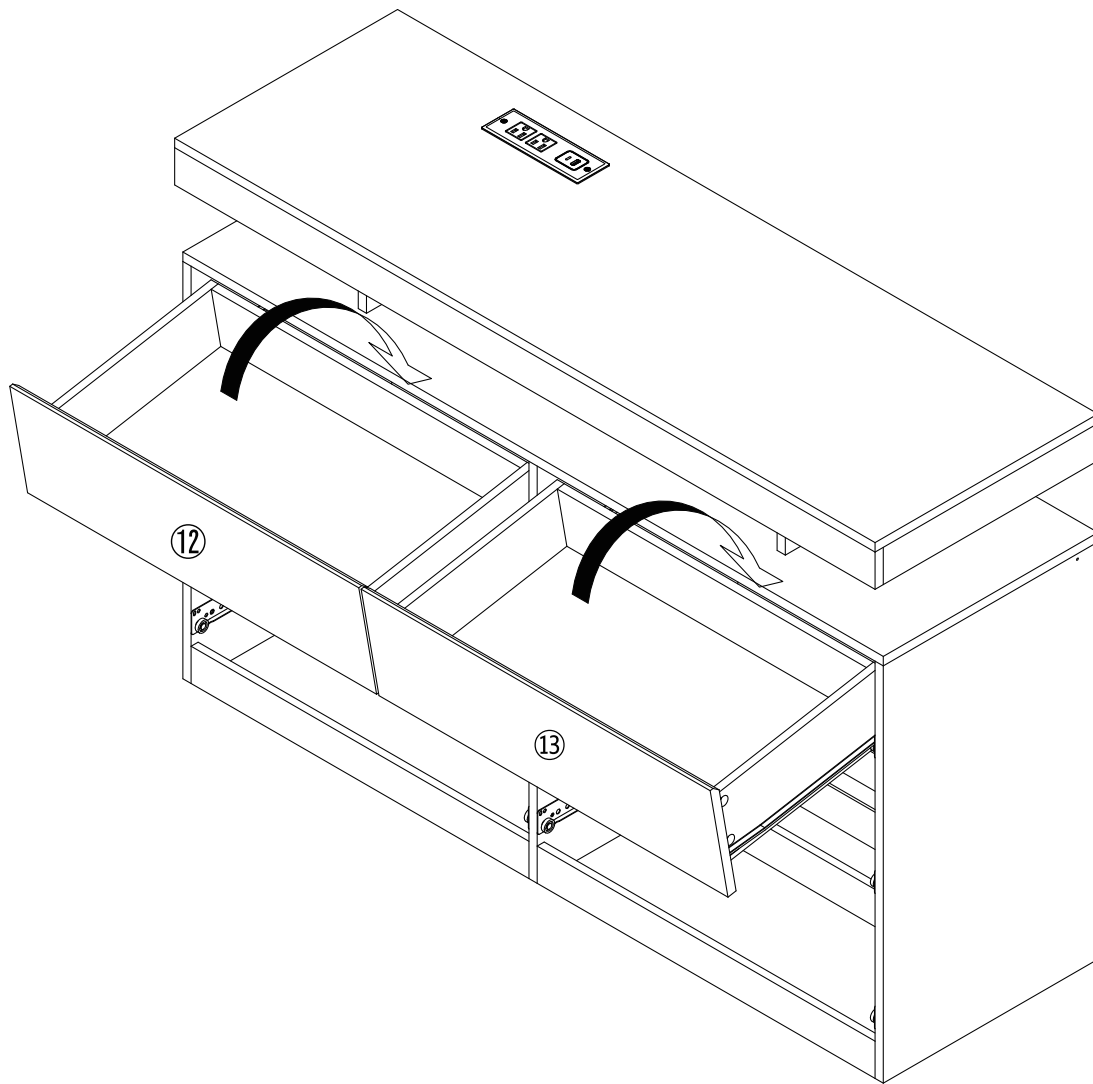


STEP 23

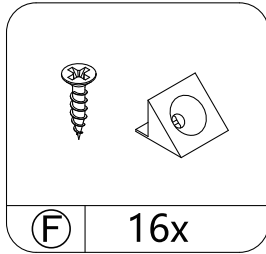


27

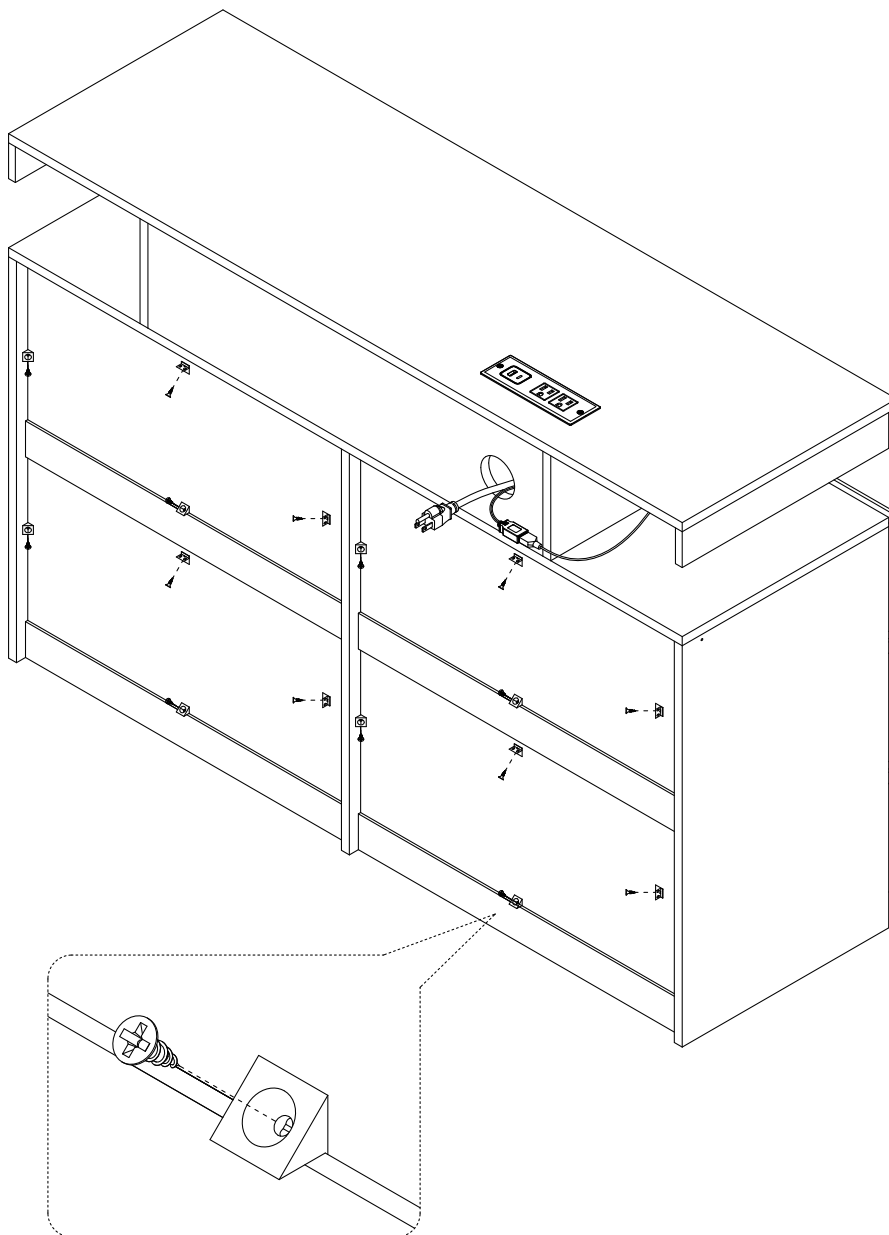
STEP 24



STEP 25



Note: The backboard buckle(number ⓕ) must be installed. This can enhance the stability of the furniture.



STEP 26

