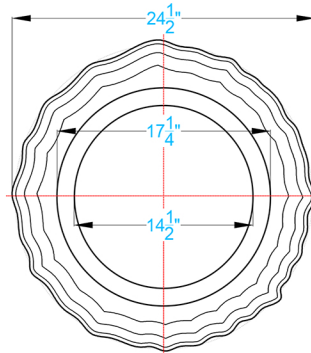
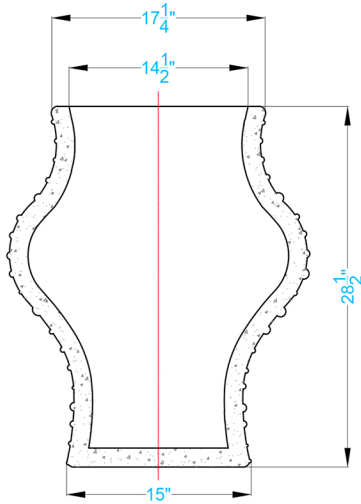


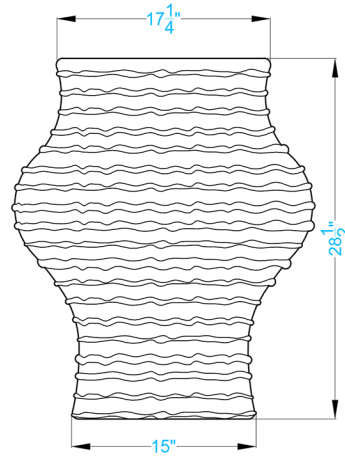
LACS-PL-17  $\frac{1}{4}$ " X 28  $\frac{1}{2}$ "



TOP VIEW



SECTION



ELEVATION