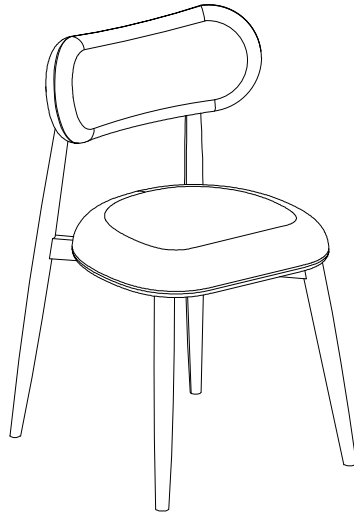


ASSEMBLY MANUAL




Before Getting Started

- Read the manual carefully before installation.
- Use a sharp tool carefully to unpack, avoid damaging components.
- Remove packaging materials carefully and lift with caution.
- Select a clean, level, and spacious assembly area. Avoid hard surfaces.
- Assemble near the intended placement location.
- Keep hardware and packaging away from children.
- Ensure all parts are present for complete assembly.
- Avoid overtightening bolt and bolts.
- Place the assembled product on a stable surface before use.

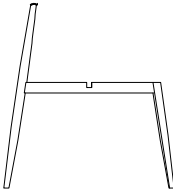
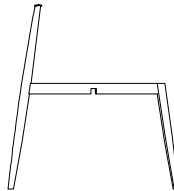

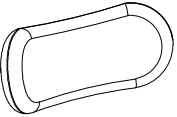
Cleaning & Maintenance

- Periodically check and tighten fasteners as hardware may loosen.
- Avoid direct heat and sunlight.
- Prolonged heat exposure may cause damage or fading.
- Regular vacuuming or brushing removes dirt and prevents soil build-up.

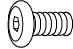
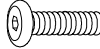


Max weight capacity:300lbs

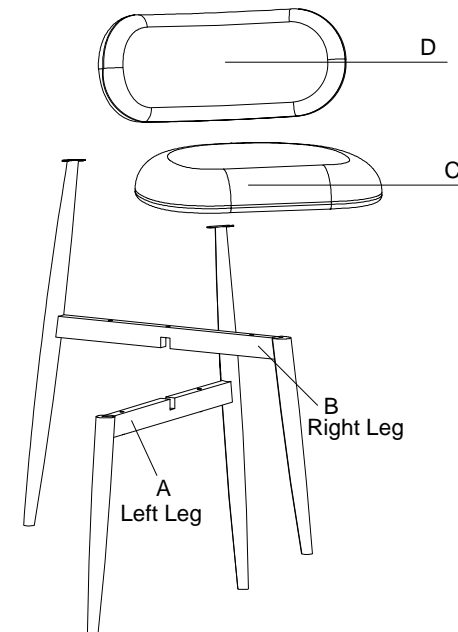
 If you encounter any difficulties or have any questions during the process of installation or usage, please contact us via the official email of the purchase channel.

Parts list

A x1pc Left Leg	B x1pc Right Leg	C x1pc Seat Cushion	D x1pc Back
			

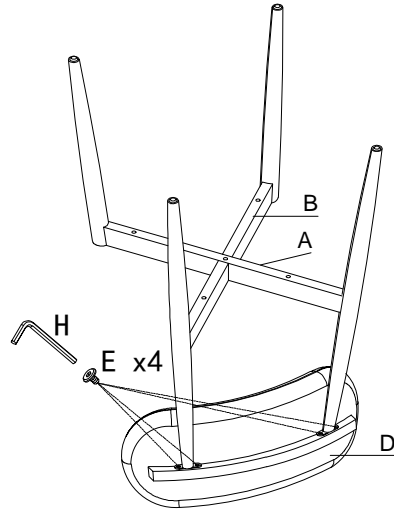
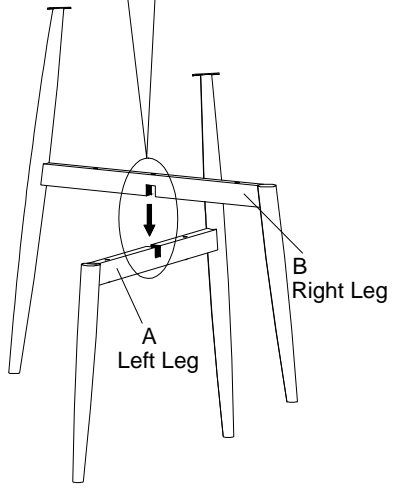
Hardware list

E x4+1	F x1	G x4+1	H x1
			
Lx12	Lx40	Lx55	Lx35

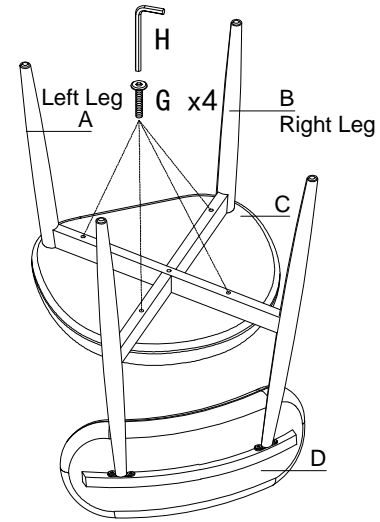


Step 1 Tighten the bolt E to 60%.

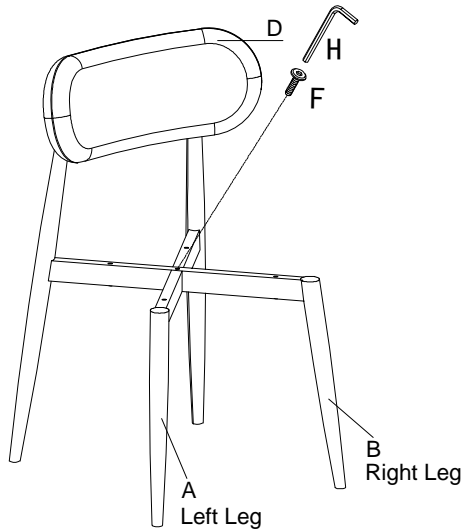
Note the positions of Leg A and Leg B.



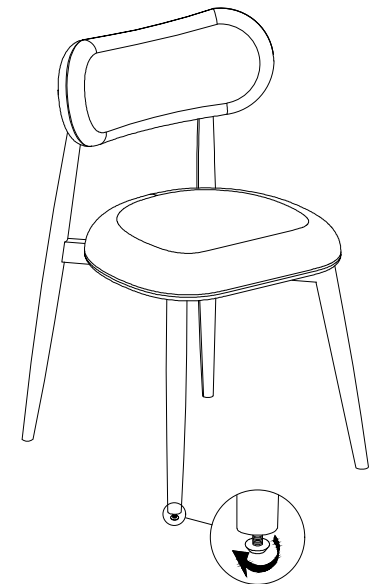
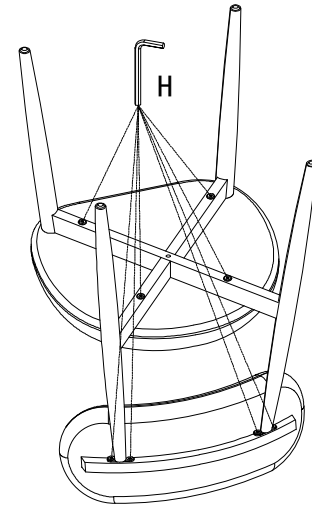
Step 3 Tighten the bolt G to 70%.



Step 2 Tighten the bolt F to 100%.



Step 4 Tighten all the bolt to 100%.



Adjust the leveling glides to stabilize the chair