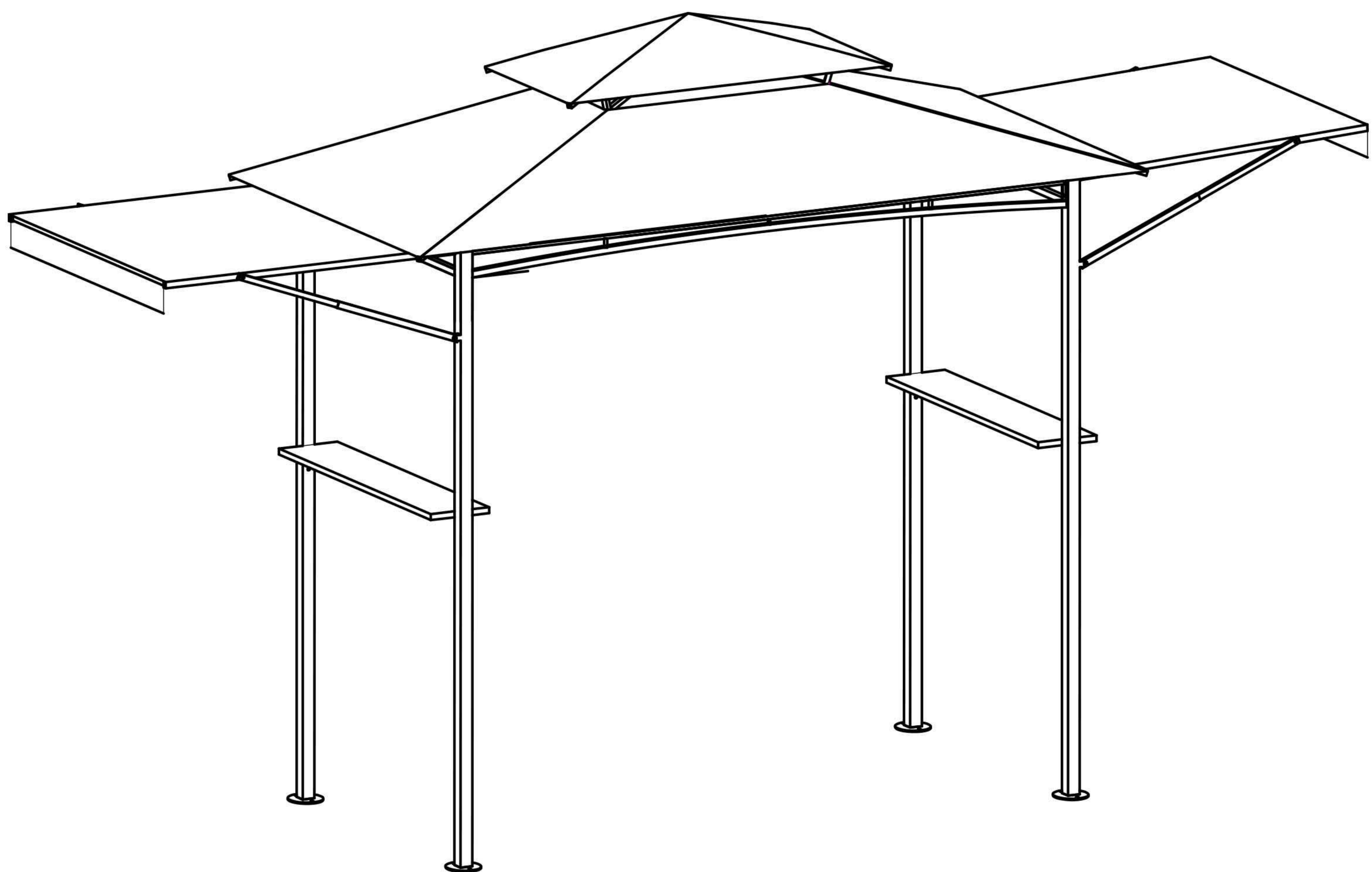


ASSEMBLY INSTRUCTIONS



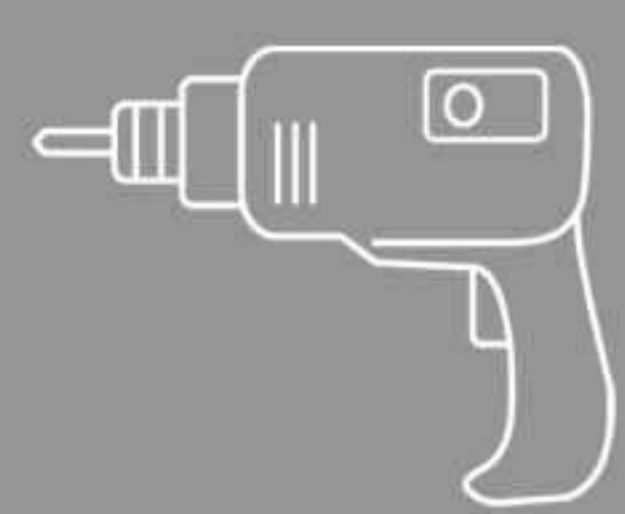
Please check the number of parts in the following accessory catalogue when unpacking. We have sent you more small parts for spare. If there is any missing or any questions about the installation. Please feel free to contact us. We will reply within 24 hours.



E-mail: cs.helper01@gmail.com

TOOLS RECOMMENDED

*NOTE: The recommended tools are not included in boxes and need to be prepared by yourself.



DRILL



RUBBER Mallet



STEPLADDER
(6.5Ft Or More)



SAFETY HAT



GLOVES



SAFETY GOGGLES

ATTENTIONS



Since it is easy to lose many small accessories during the installation, please collect all the screw accessories before the assembly is completed



To better align the screws for practical situations, do not fully tighten screws initially



Please reinforced the Gazebo and do not use in heavy winds or inclement weather



Make sure all screws are tightened before use and check all screws, buckles and straps every 90 days



Two or more people are required for assembly

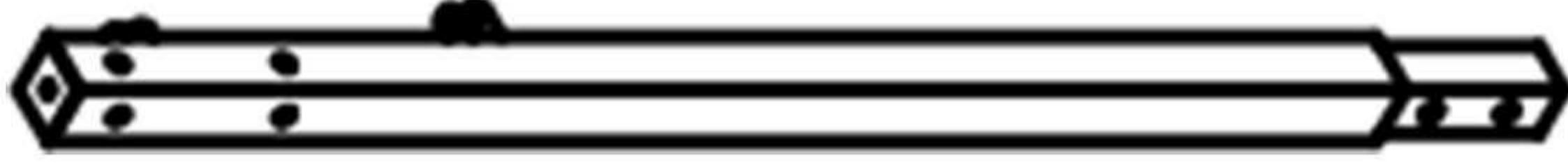
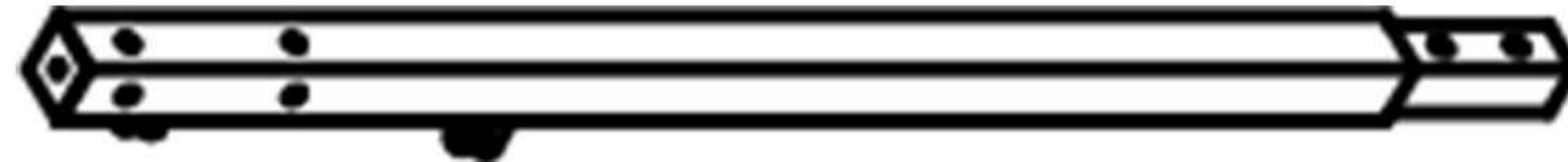




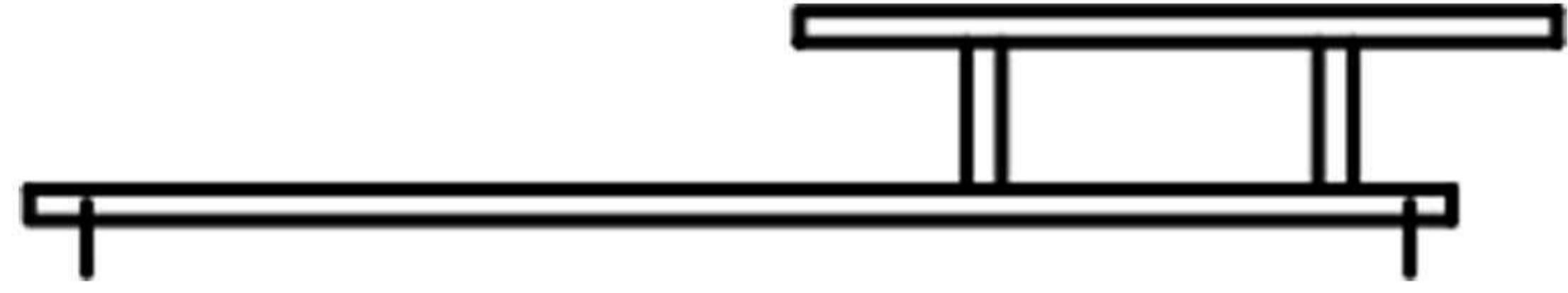





Please clear the snow off the roof in time for the heavy snowfall and do not use it

Please take care of the screws and contact the after-sales service if there is any problem with the installation or parts.



ACCESSORY CATALOGUE




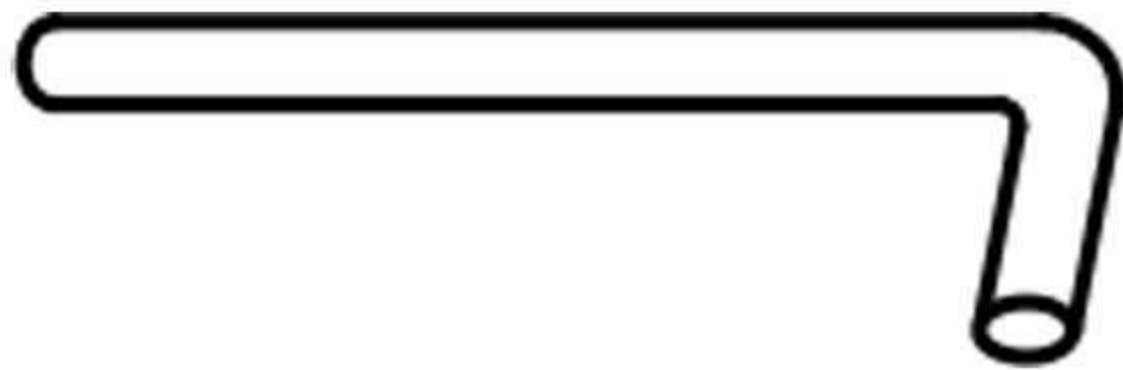
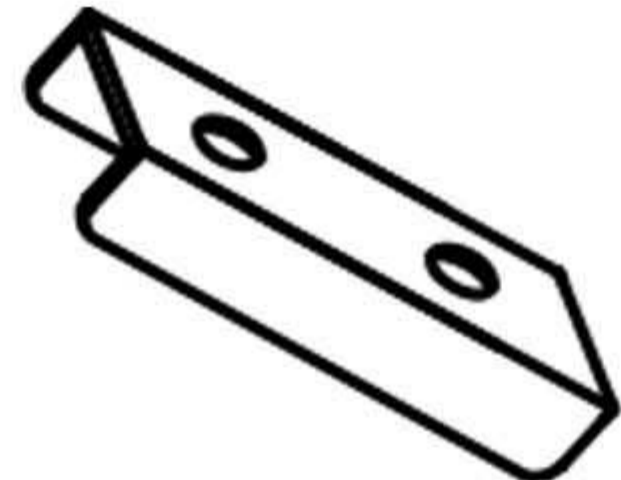









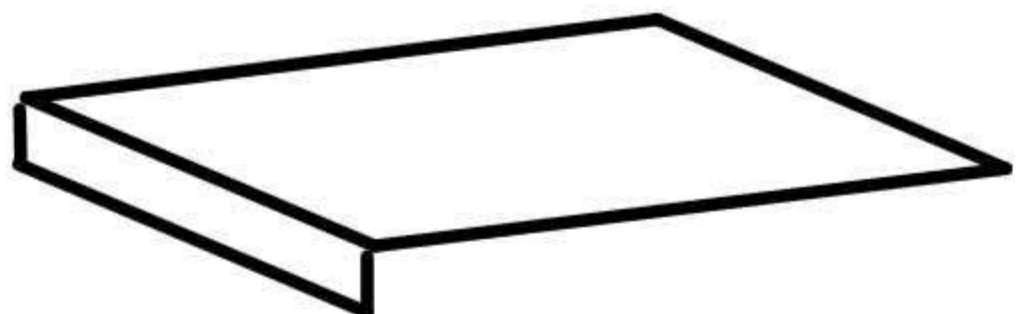

Item no.	Reference Image	Qty.
A		2
A1		1
A2		1
A3		4
B		4
B1		2
C		4
C1		4
D		1
E		1

Please take care of the screws and contact the after-sales service if there is any problem with the installation or parts.

➔ ✉ E-mail: cs.helper01@gmail.com

ACCESSORY CATALOGUE








Item no.	Reference Image	Qty.
E1		1

Item no.	Reference Image	Qty.	Item no.	Reference Image	Qty.
F		4	K		8
G		4	M		8
G1		4	N		2
H		4	O		4
H1		1	P		4
J		1	Q		4
J1		1	R		4
J2		2	S		4

Please take care of the screws and contact the after-sales service if there is any problem with the installation or parts.

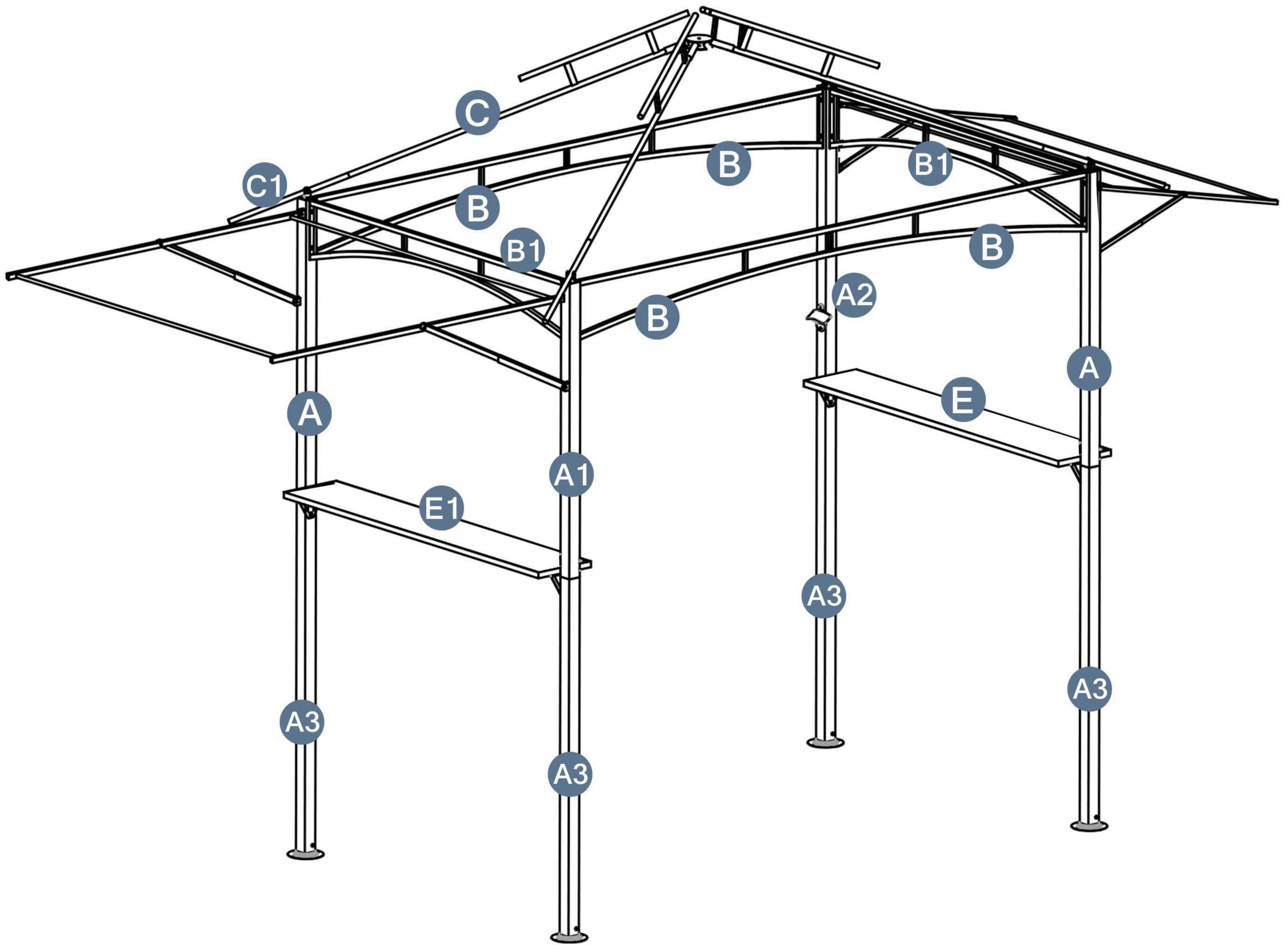


ACCESSORY CATALOGUE

Item no.	Reference Image	Qty.	Item no.	Reference Image	Qty.
1	 M6X16	20	5	 M6X16	2
2	 M6X30	12	6	 M6X20	8
3	 M6X50	10	7	 M6X35	4
4	 M6X50	8			

Please take care of the screws and contact the after-sales service if there is any problem with the installation or parts.

➔ ✉ E-mail: cs.helper01@gmail.com



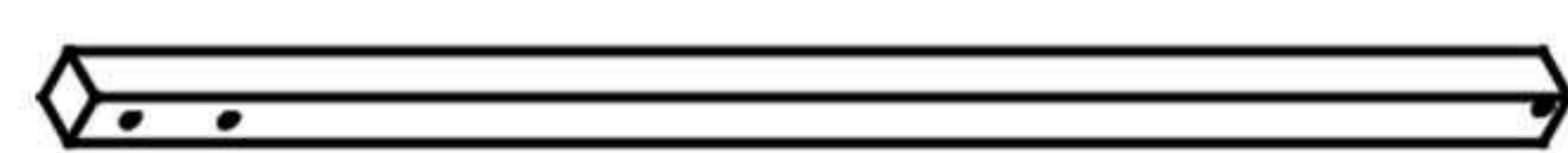
Please take care of the screws and contact the after-sales service if there is any problem with the installation or parts.

STEP 1

Parts required



A 2pcs



A3 4pcs



A1 1pcs



G 4pcs



A2 1pcs



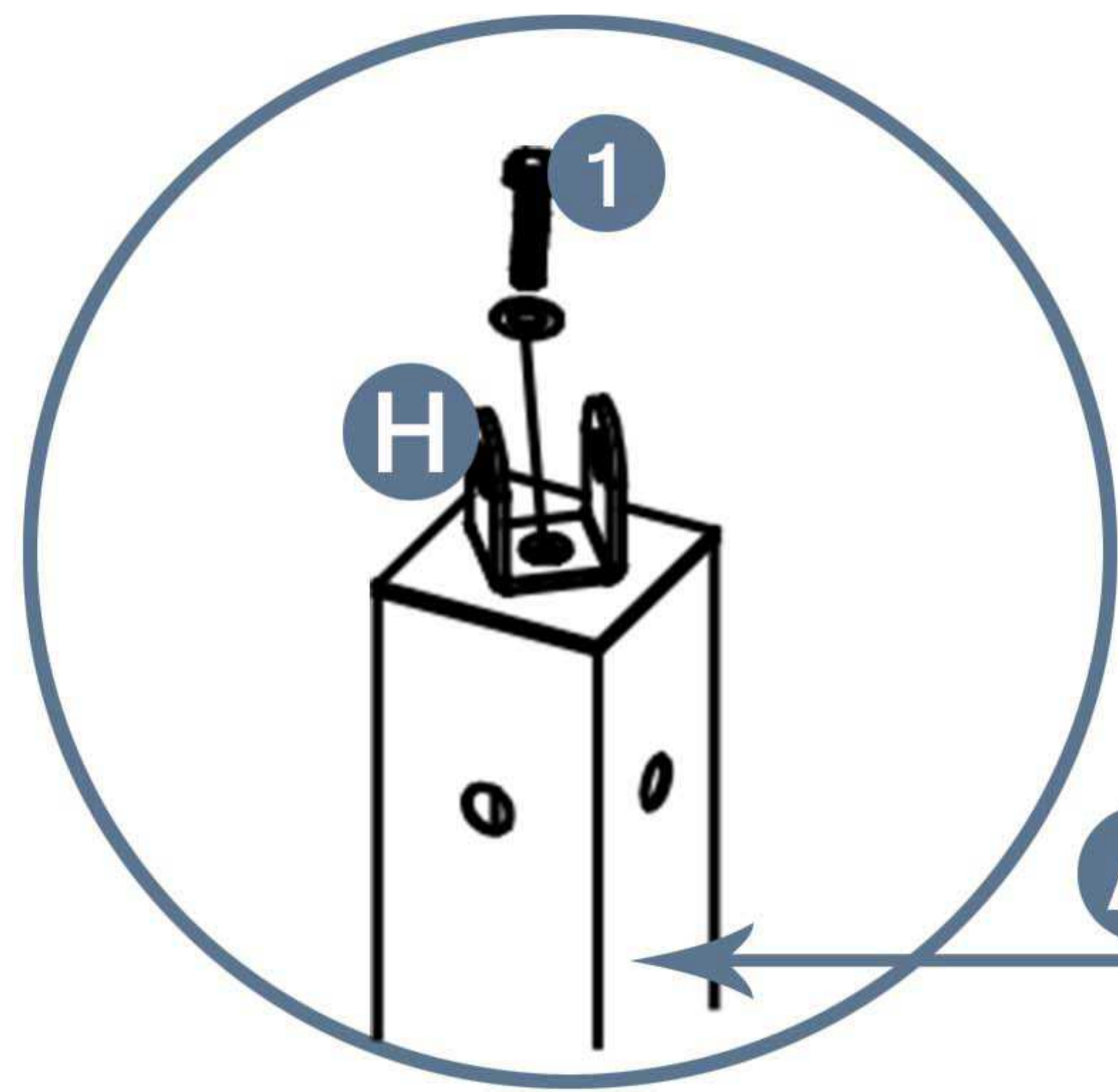
1 12pcs



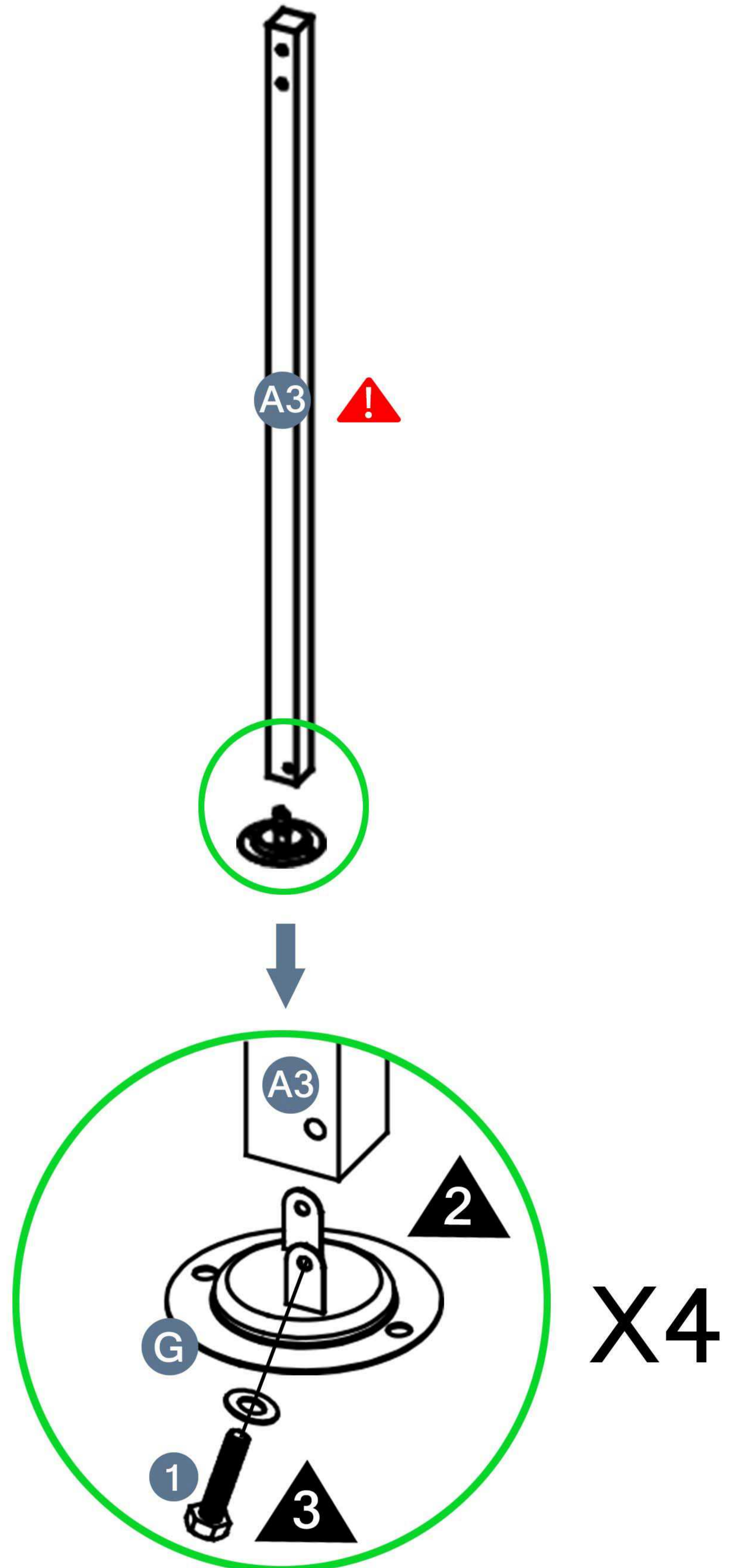
H 4pcs



! Pay attention to the difference of the tube



1



Combine A3 and G first, and then install the screws.
In the third step, one screw on each side of the left and right.

Please take care of the screws and contact the after-sales service if there is any problem with the installation or parts.

➔ ✉ E-mail: cs.helper01@gmail.com

STEP 2

Parts required



E 1pcs



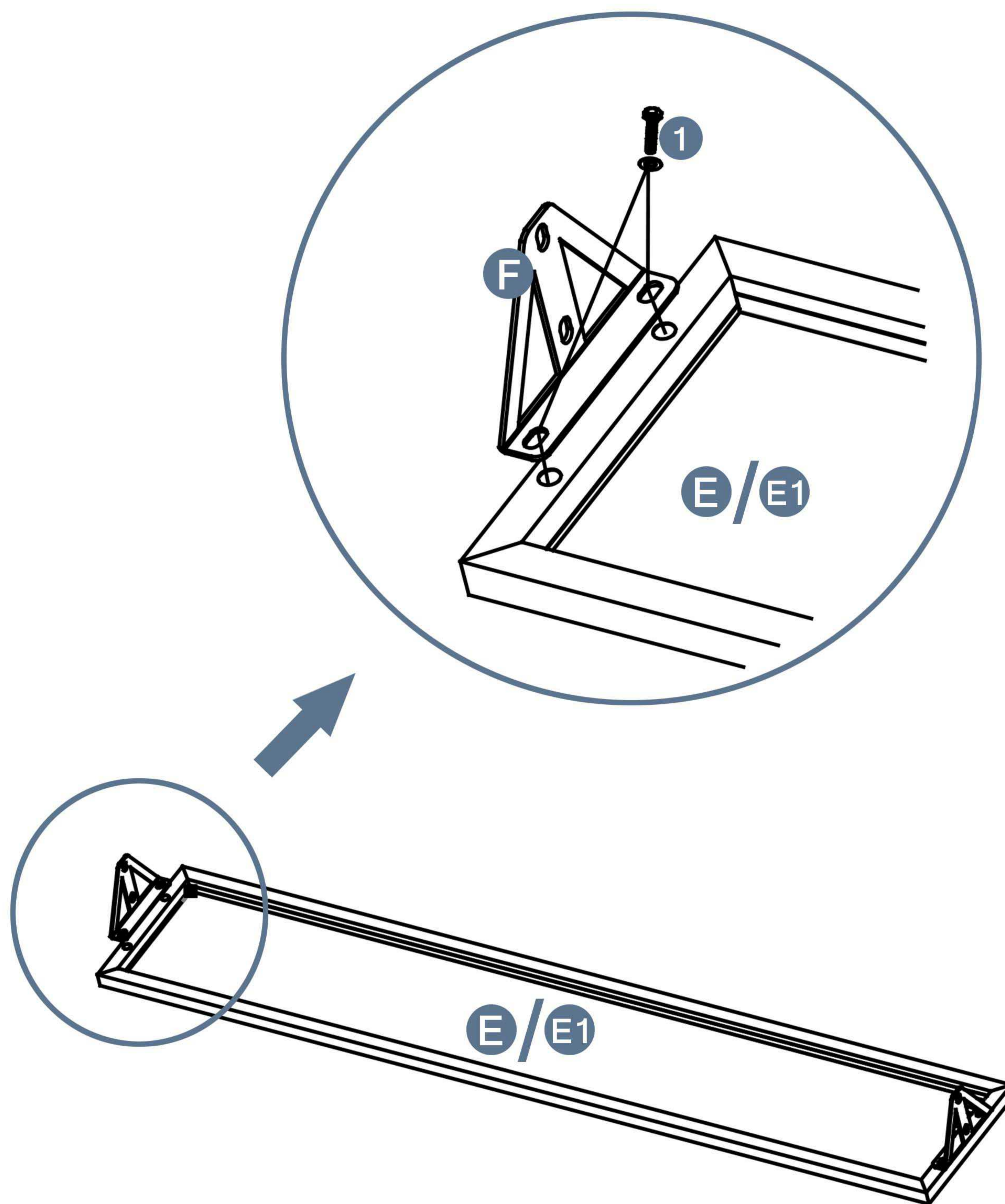
F 4pcs



E1 1pcs



1 8pcs

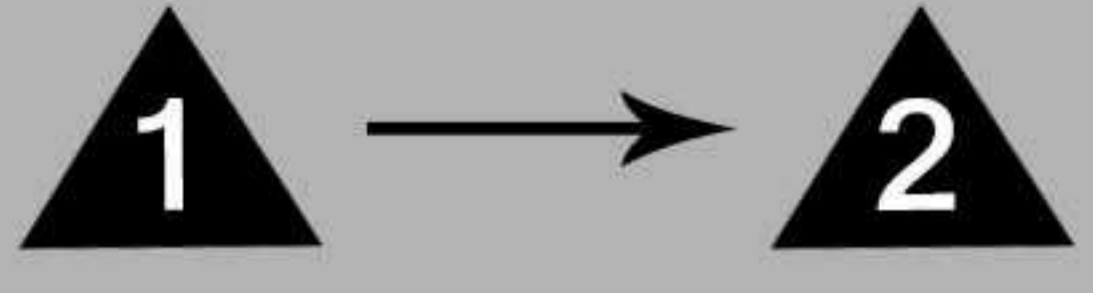
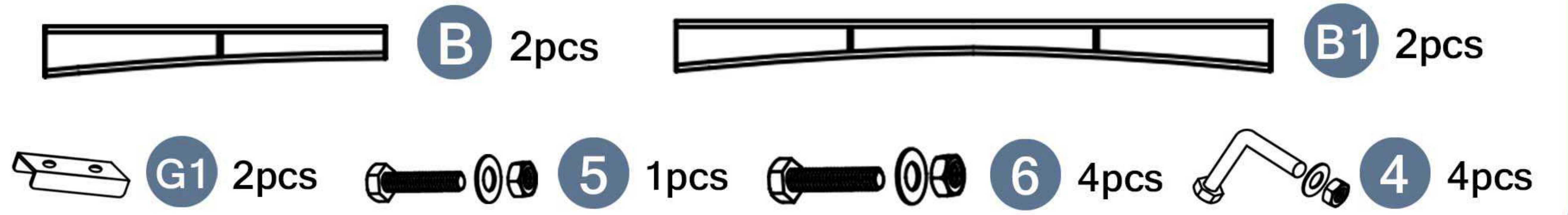


Please note that F is installed on the back of E/E1.

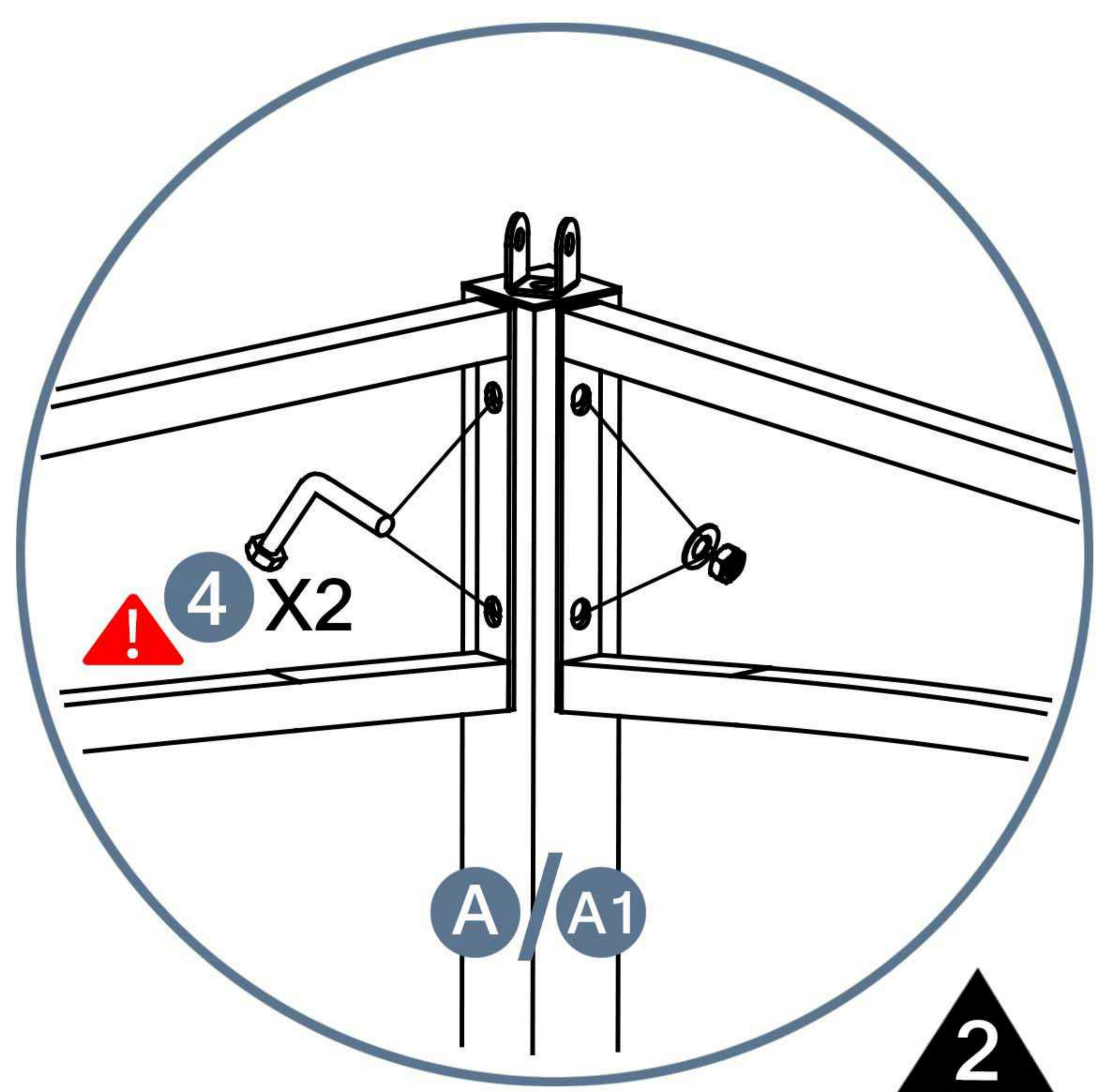
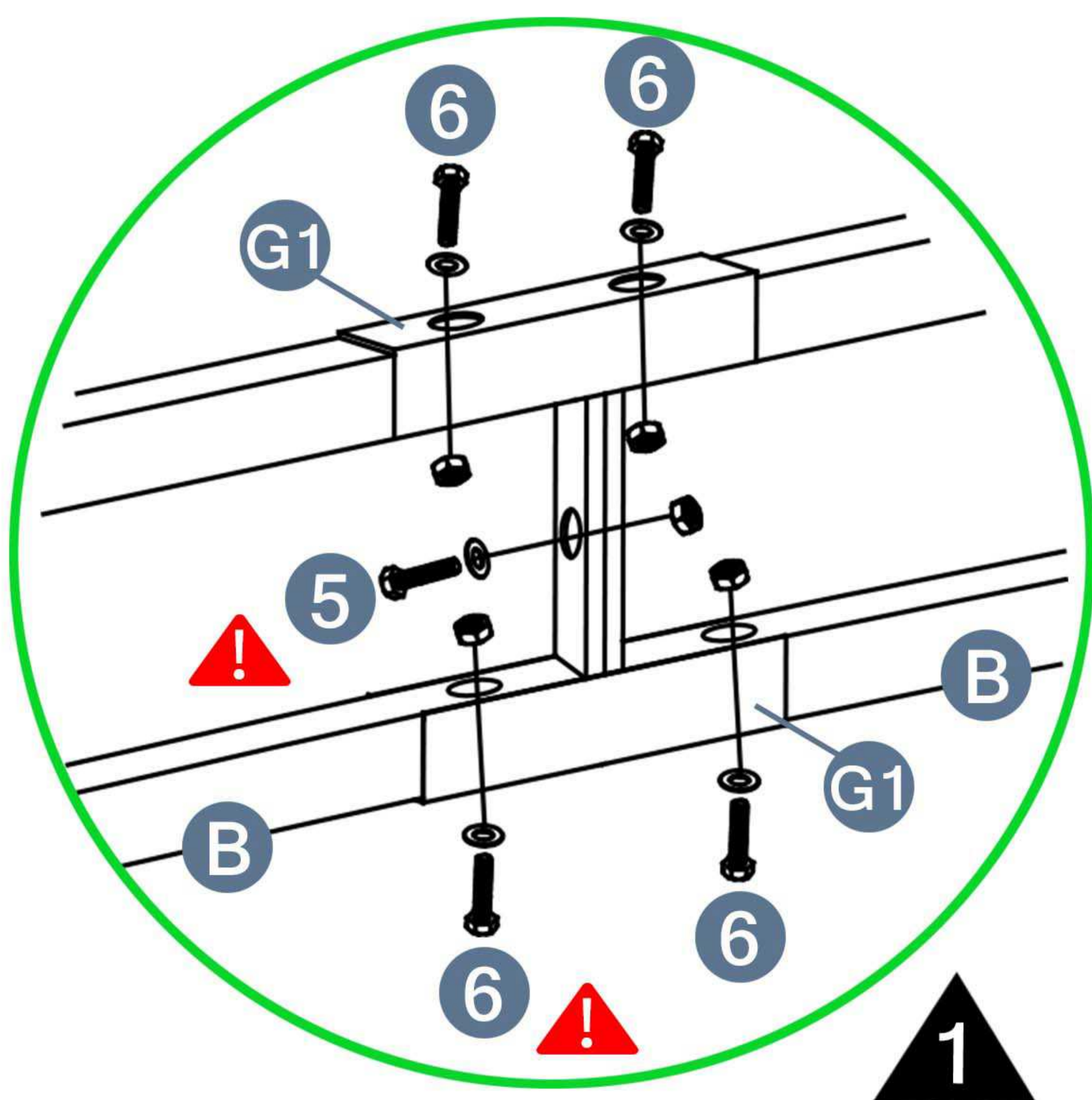
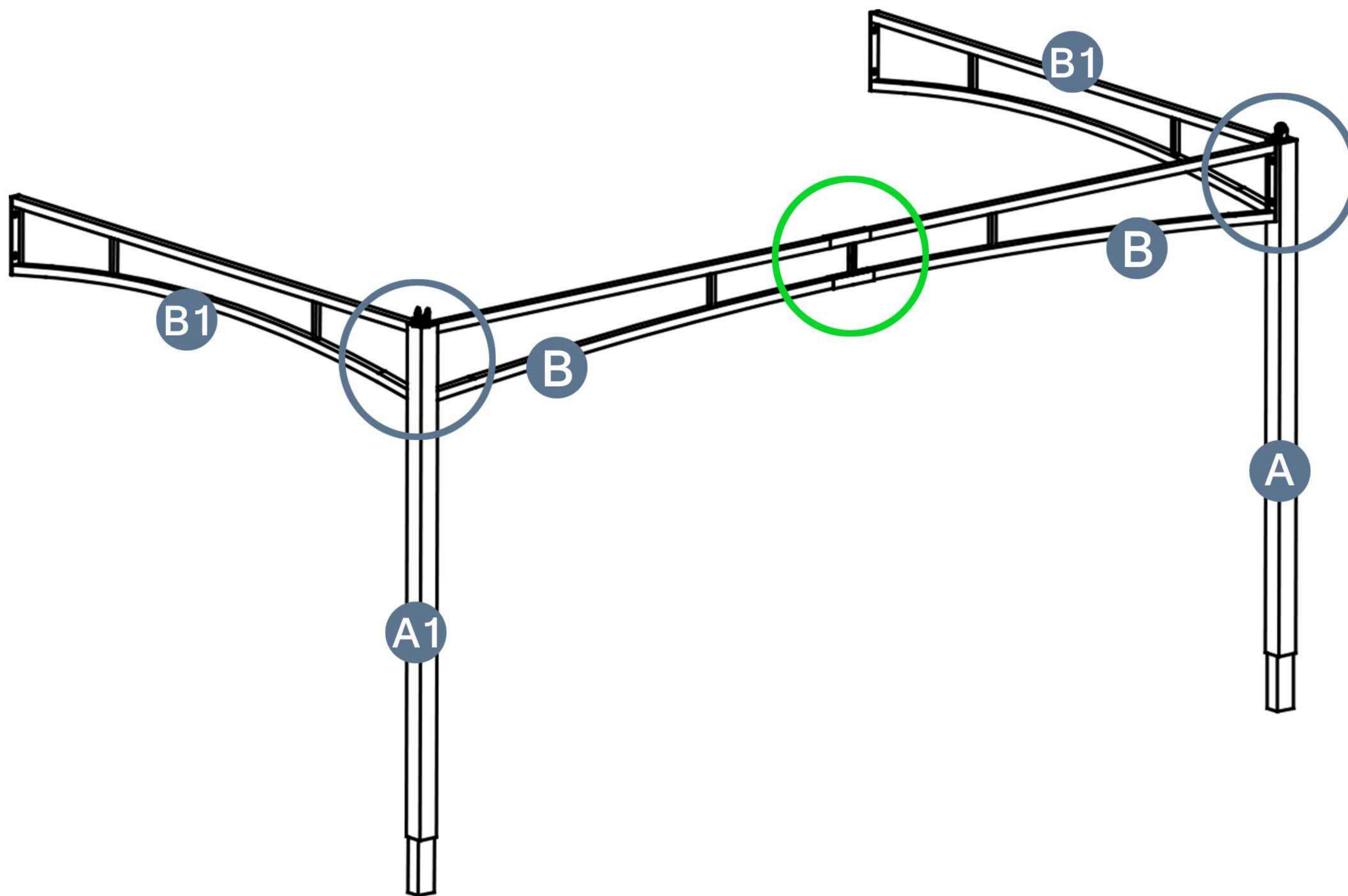
Please take care of the screws and contact the after-sales service if there is any problem with the installation or parts.

STEP 3

Parts required



⚠ Pay attention to the difference of screws.

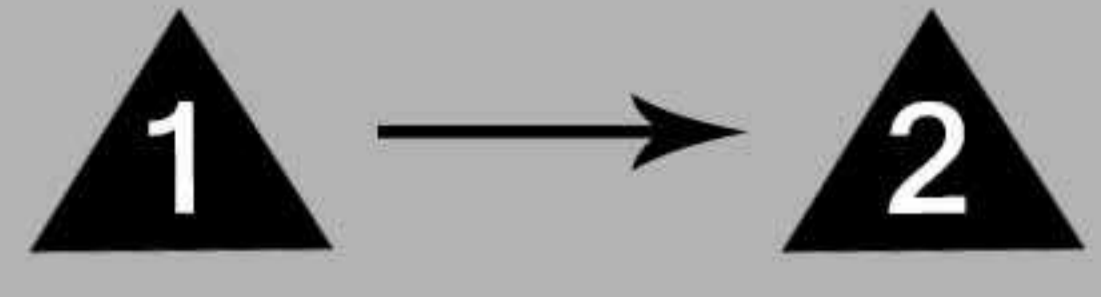
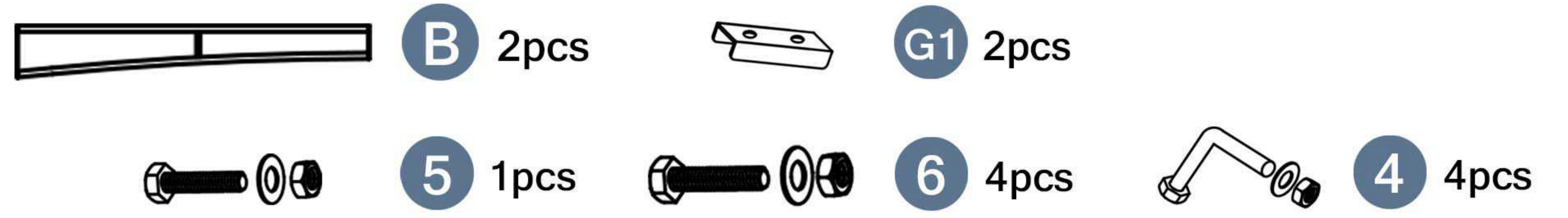


Please take care of the screws and contact the after-sales service if there is any problem with the installation or parts.

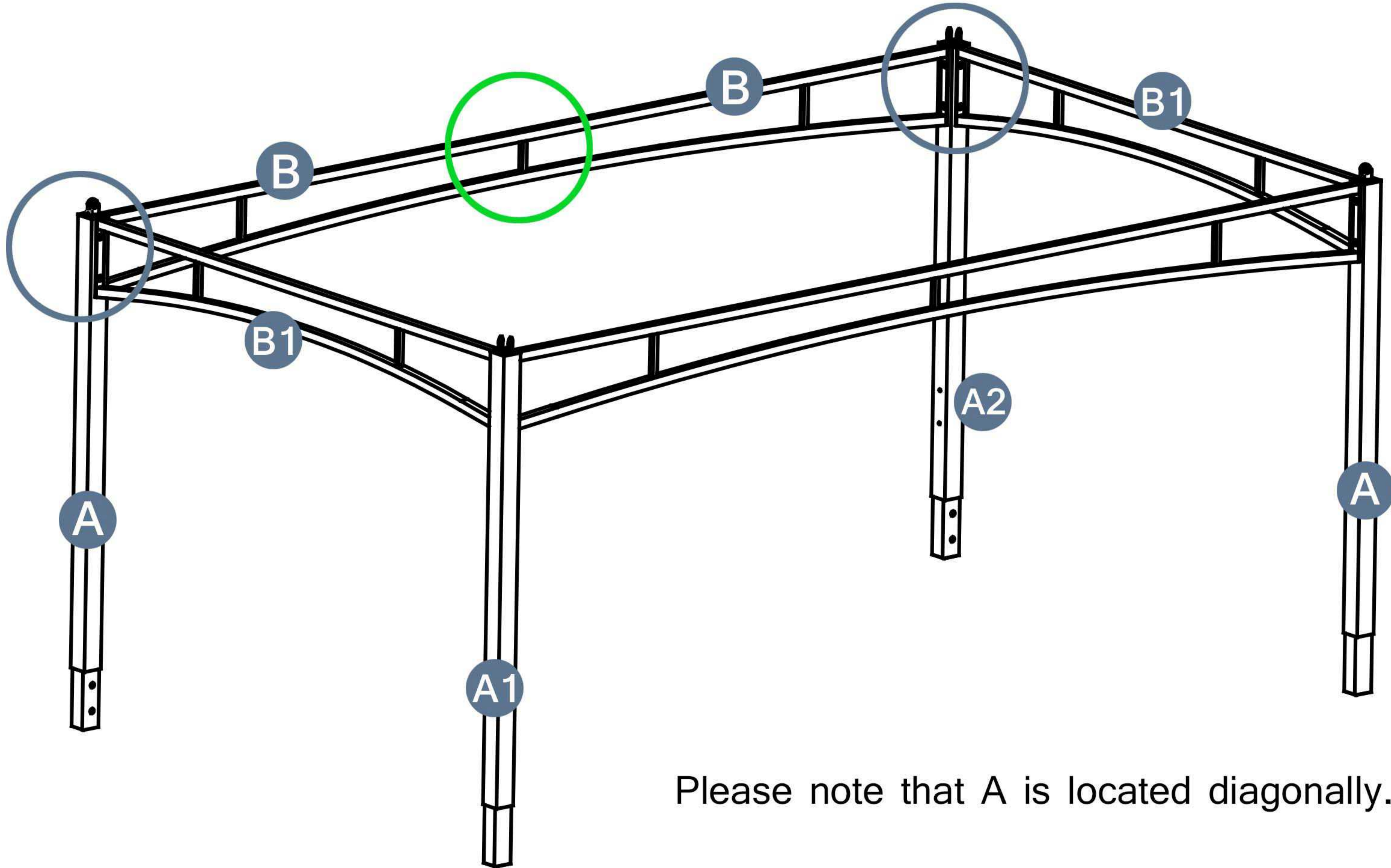
➔ ✉ E-mail: cs.helper01@gmail.com

STEP 4

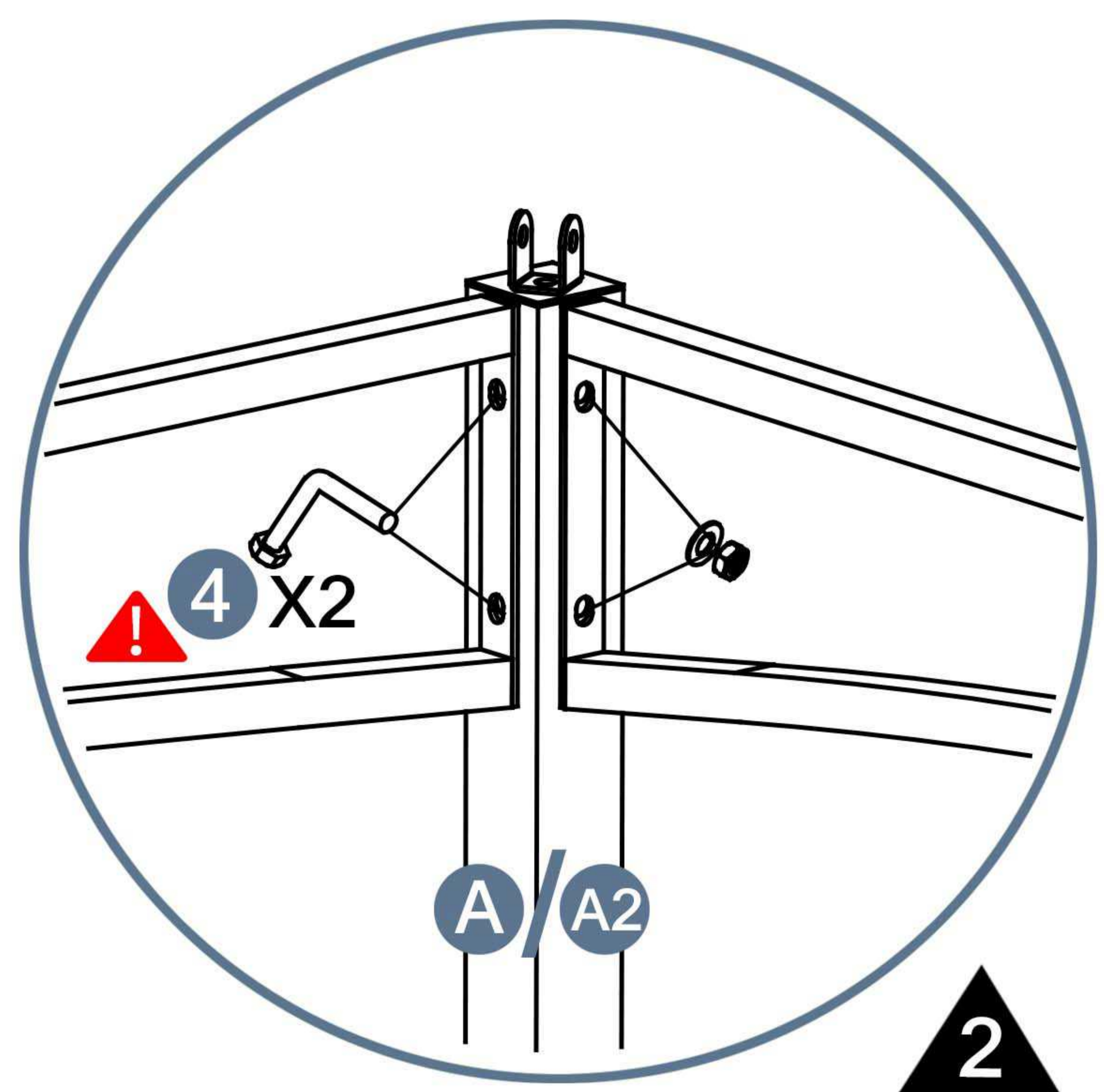
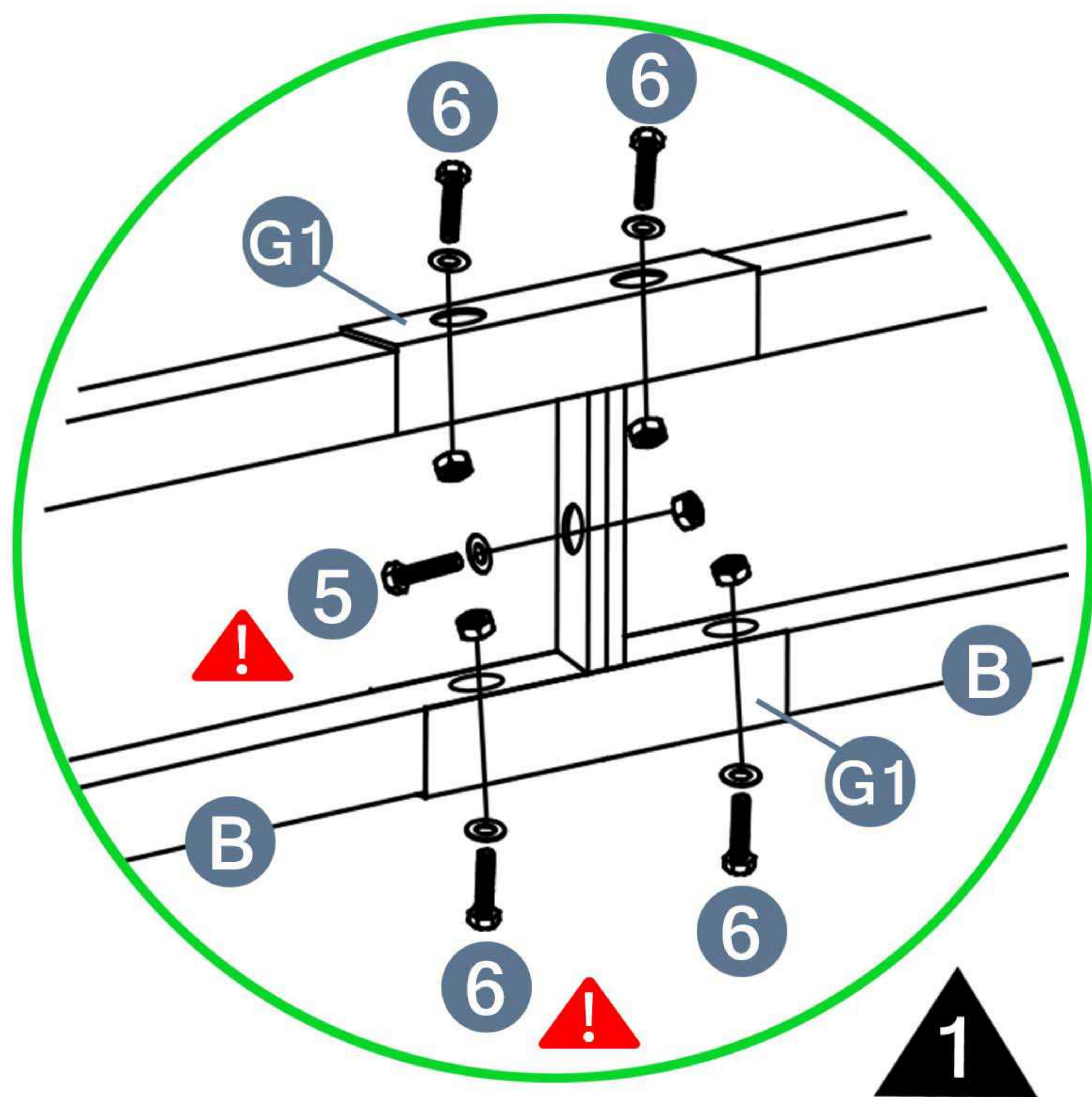
Parts required



! Pay attention to the difference of screws.



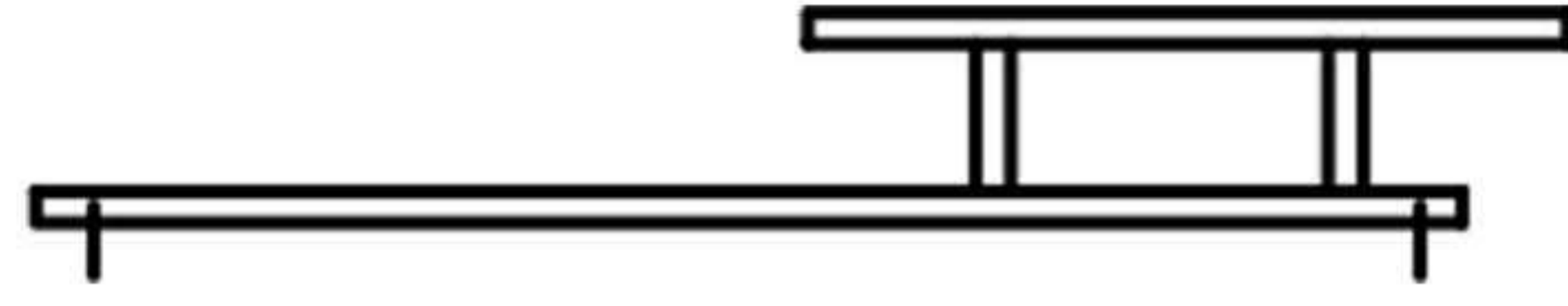
Please note that A is located diagonally.



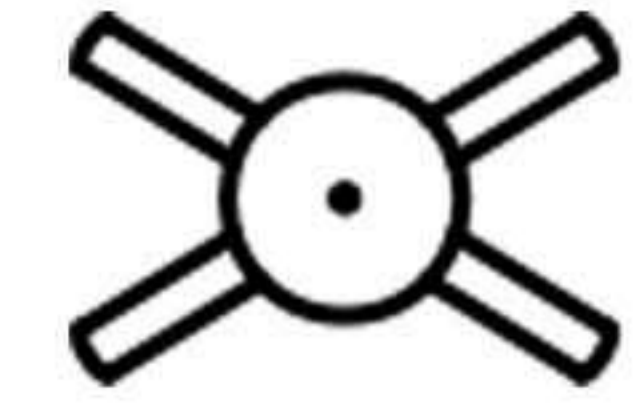
Please take care of the screws and contact the after-sales service if there is any problem with the installation or parts.

STEP 5

Parts required



C 4pcs

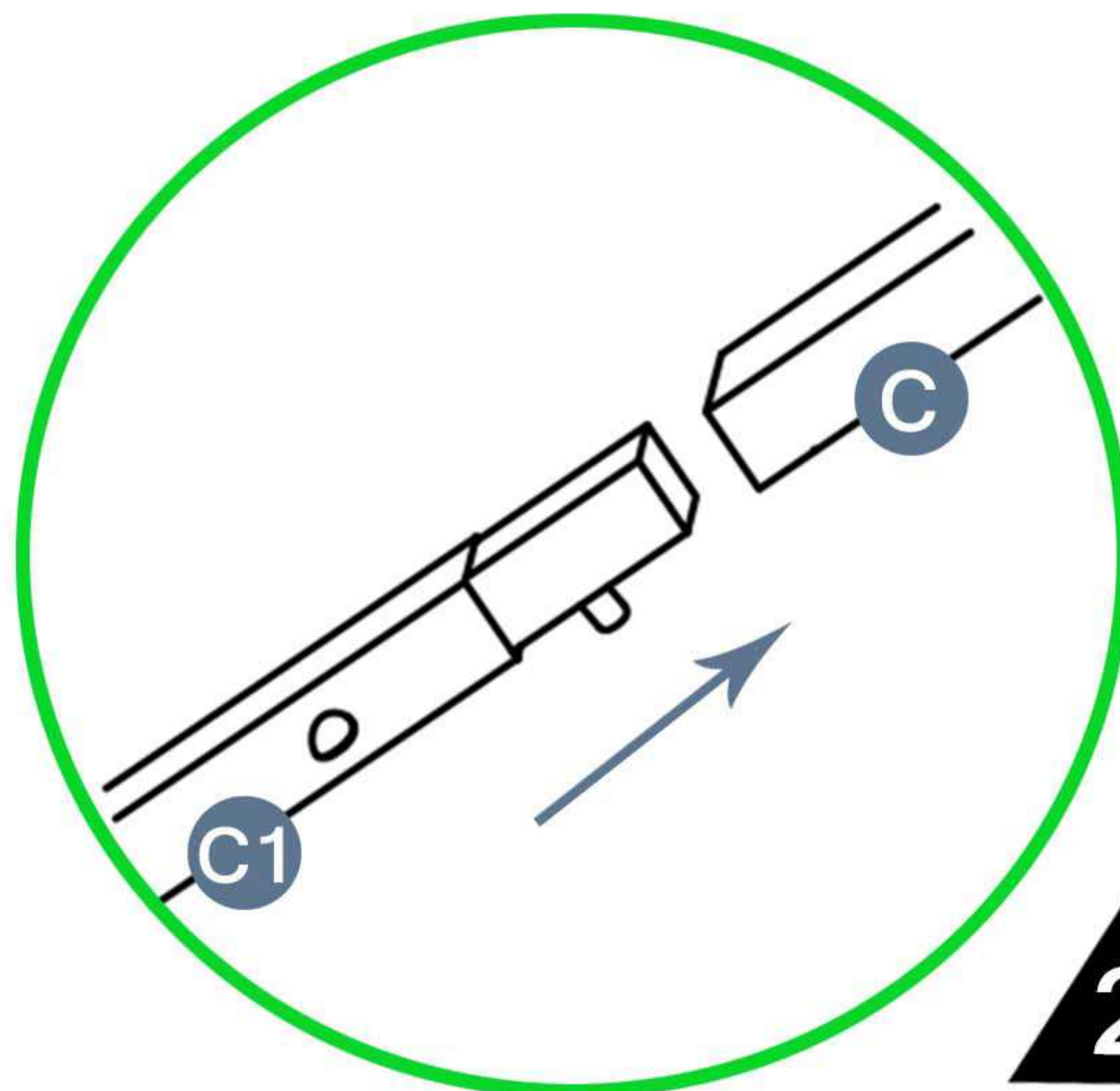
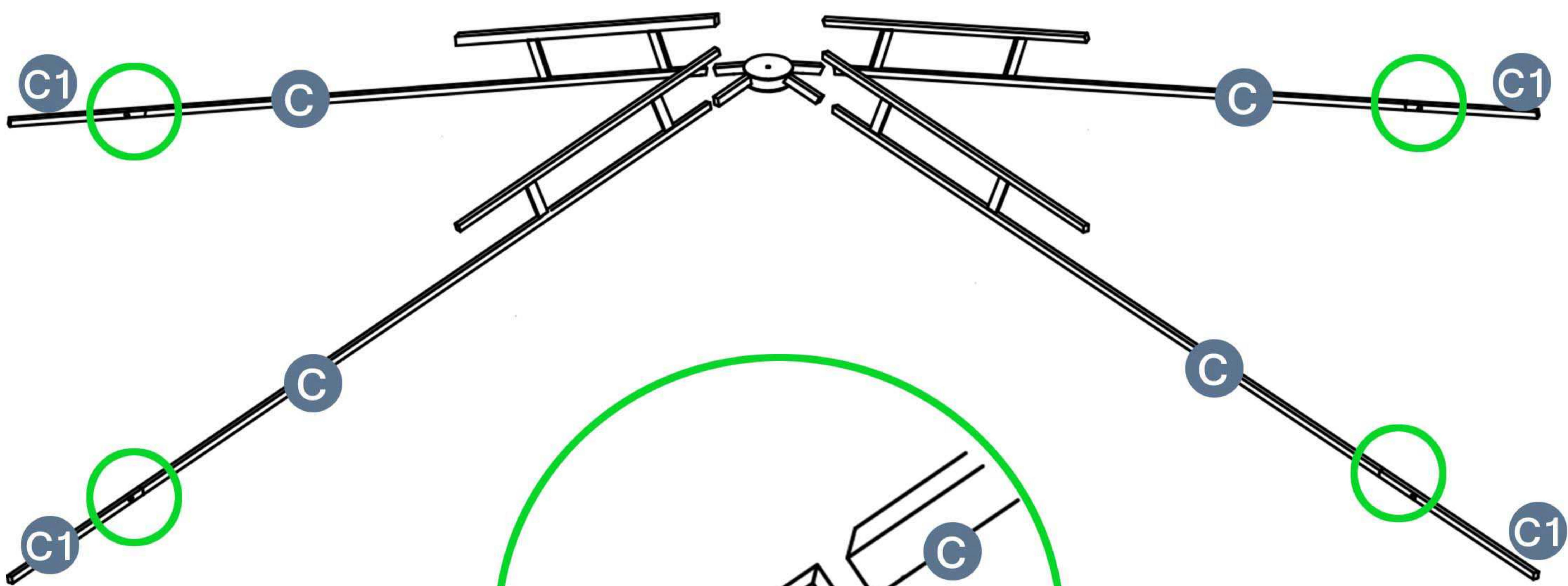
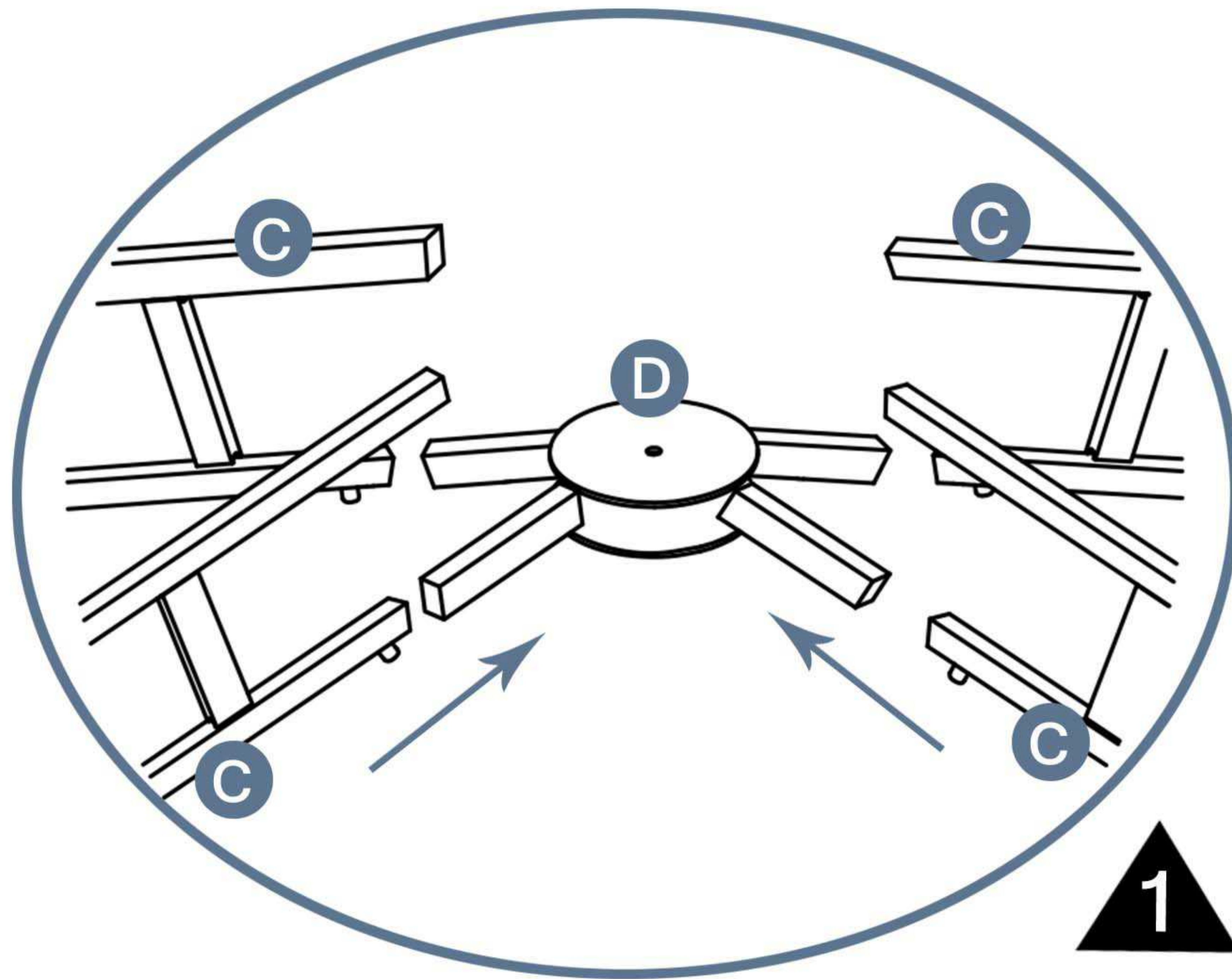
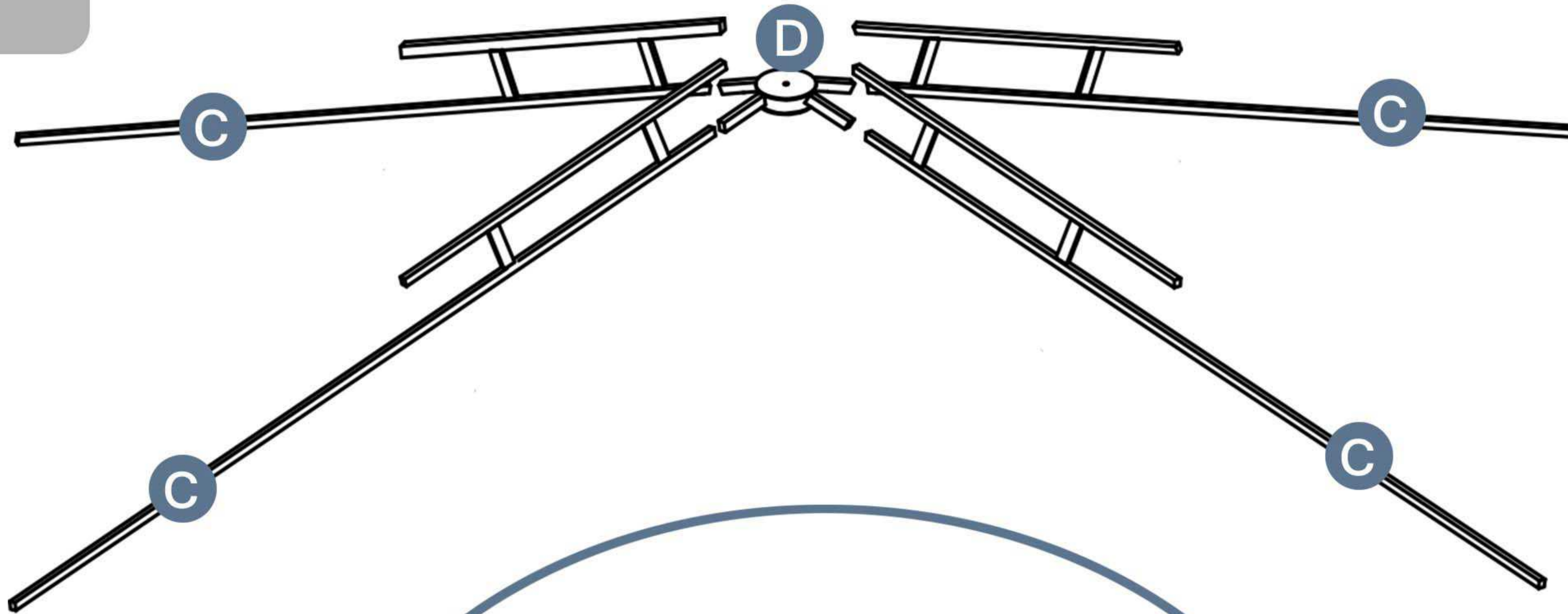


D 1pcs



C1 4pcs

1 → 2



Please take care of the screws and contact the after-sales service if there is any problem with the installation or parts.

➔ ✉ E-mail: cs.helper01@gmail.com

STEP 6

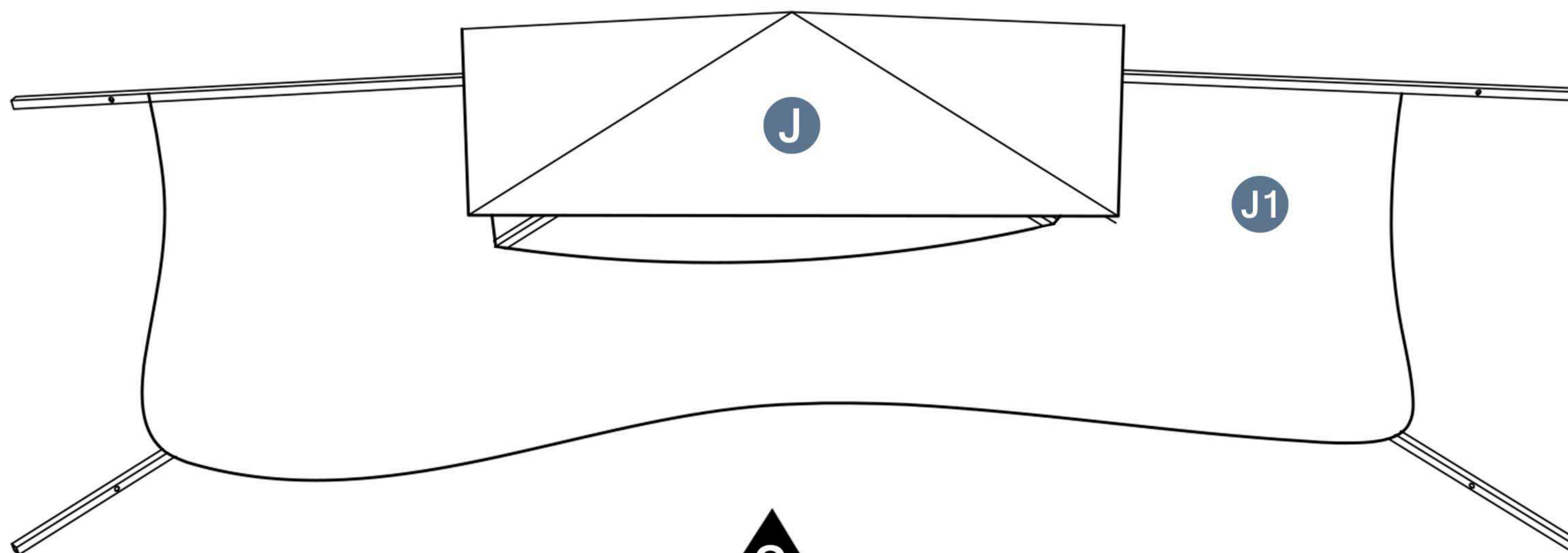
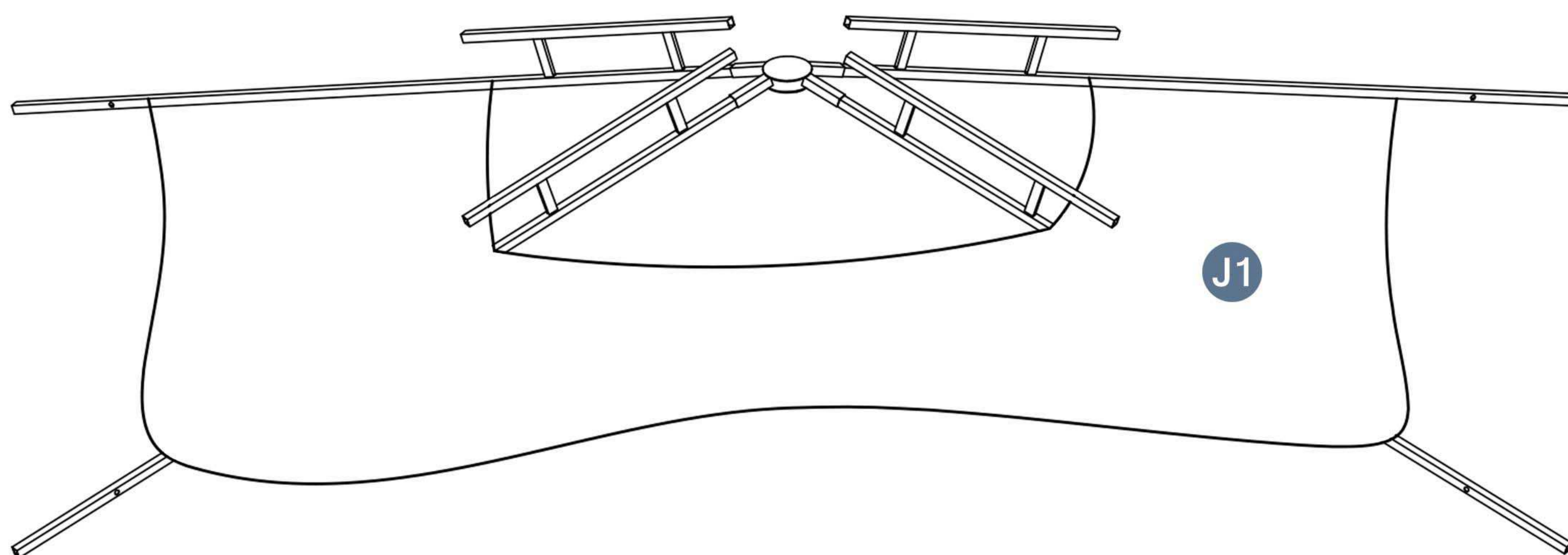
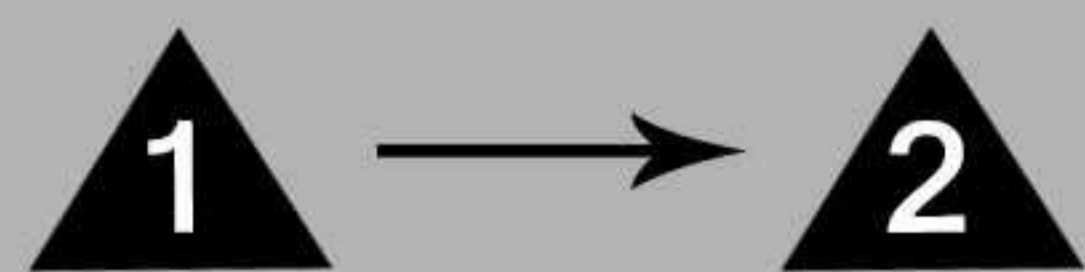
Parts required



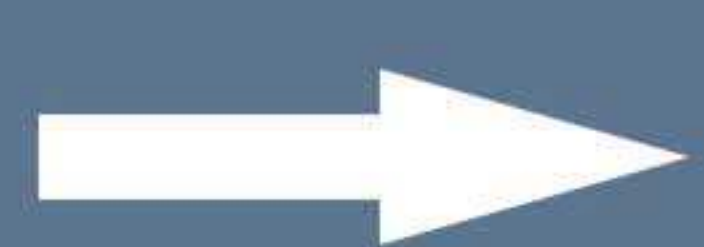
J 1pcs



J1 1pcs



Please take care of the screws and contact the after-sales service if there is any problem with the installation or parts.



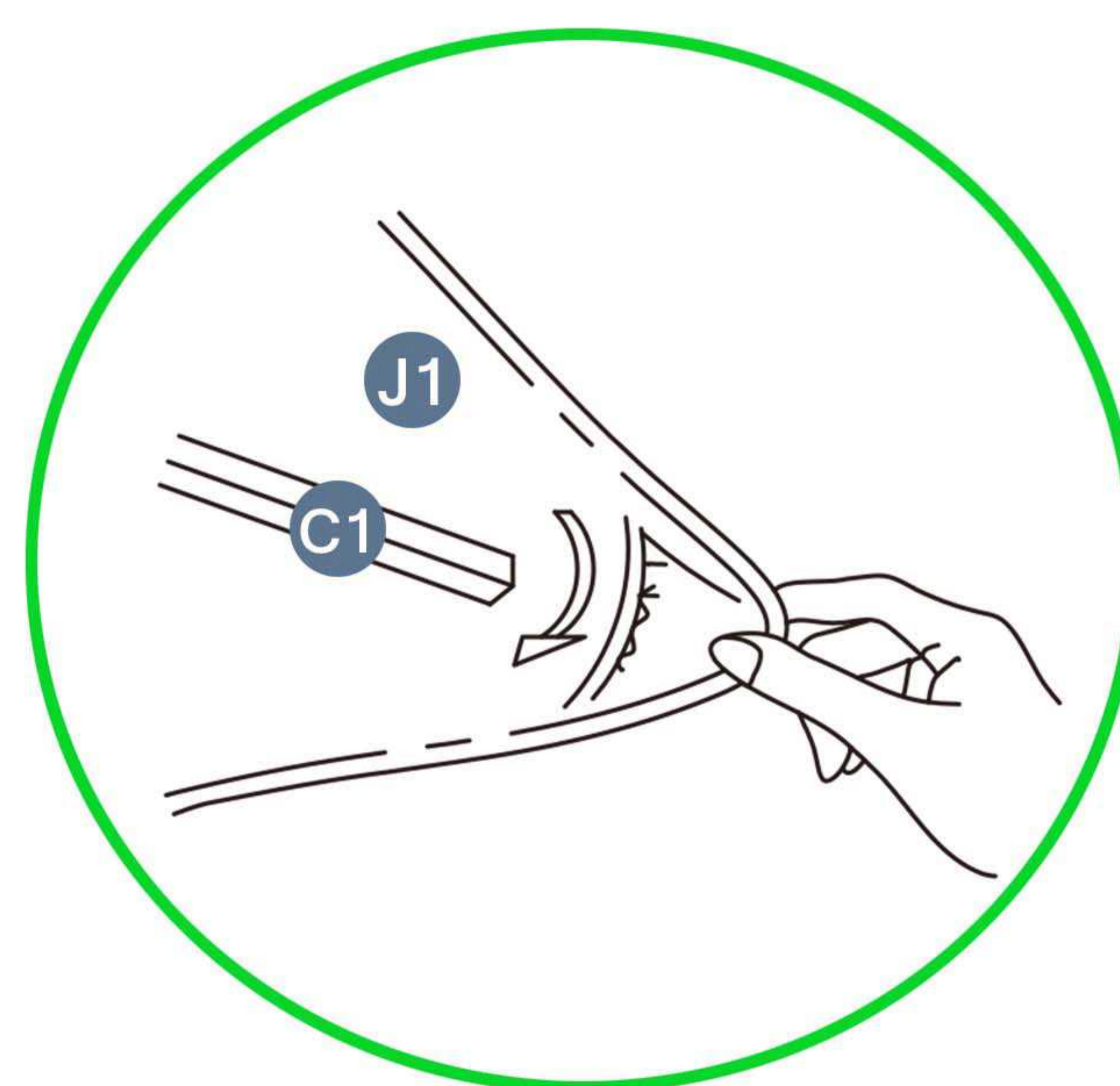
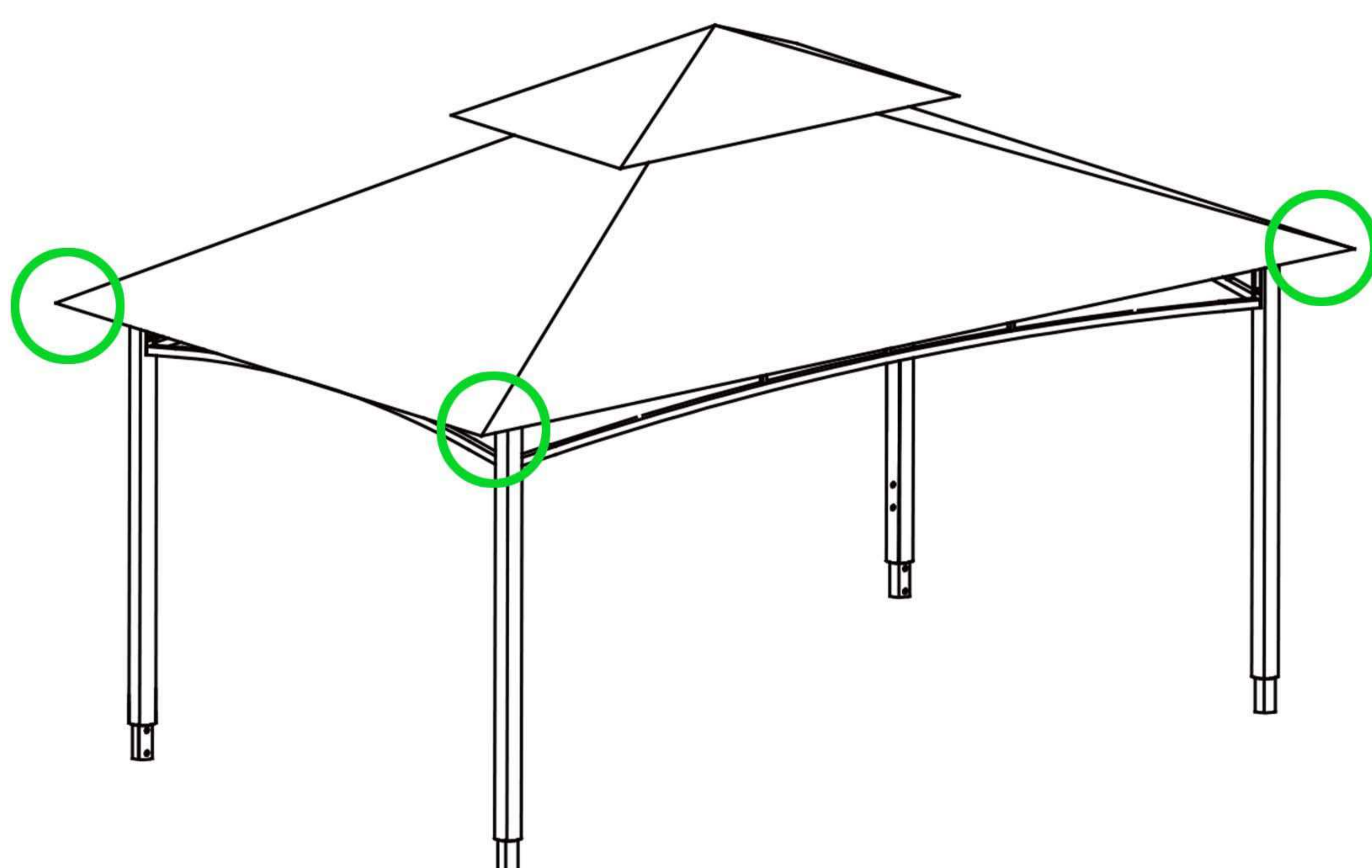
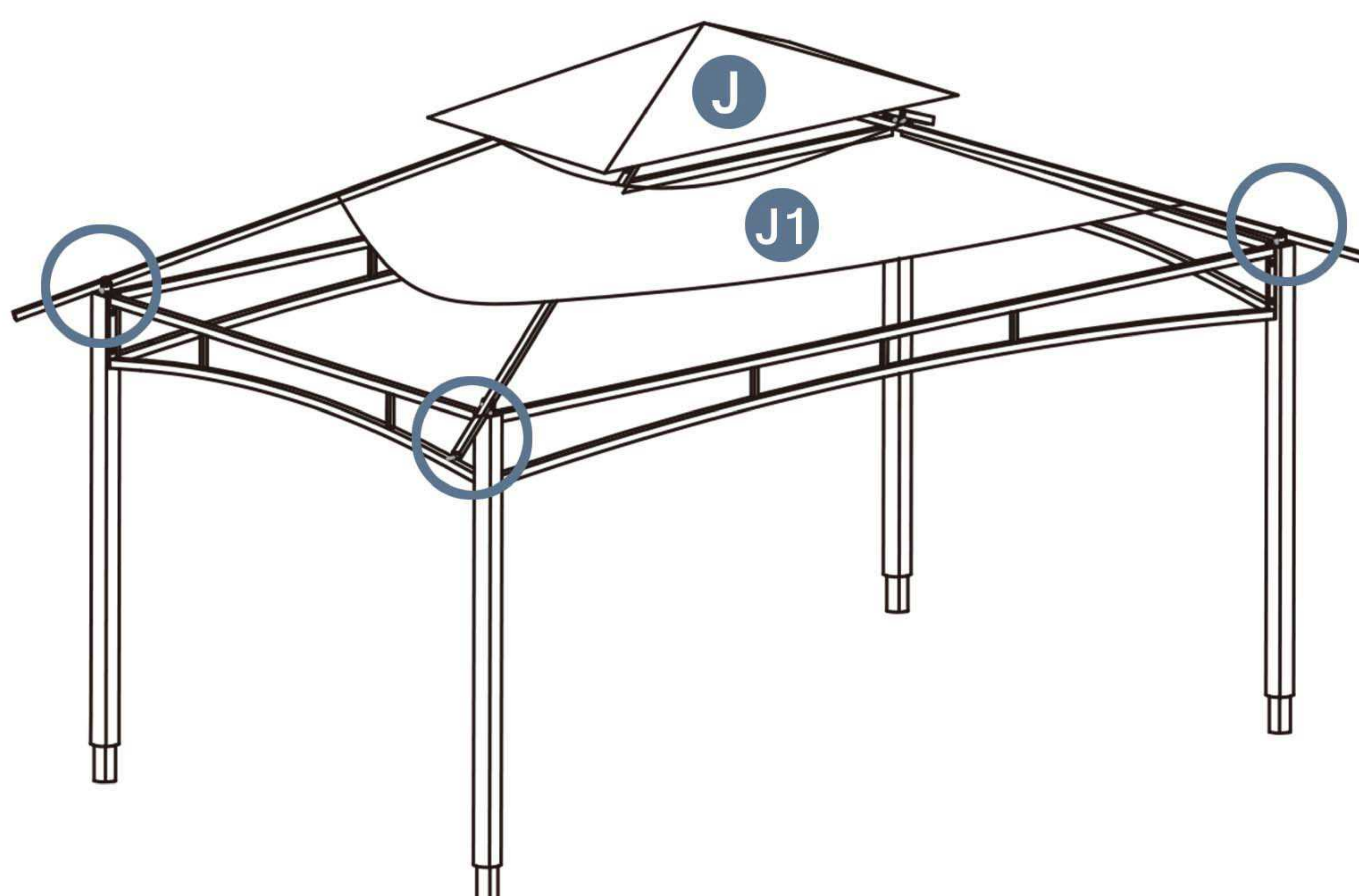
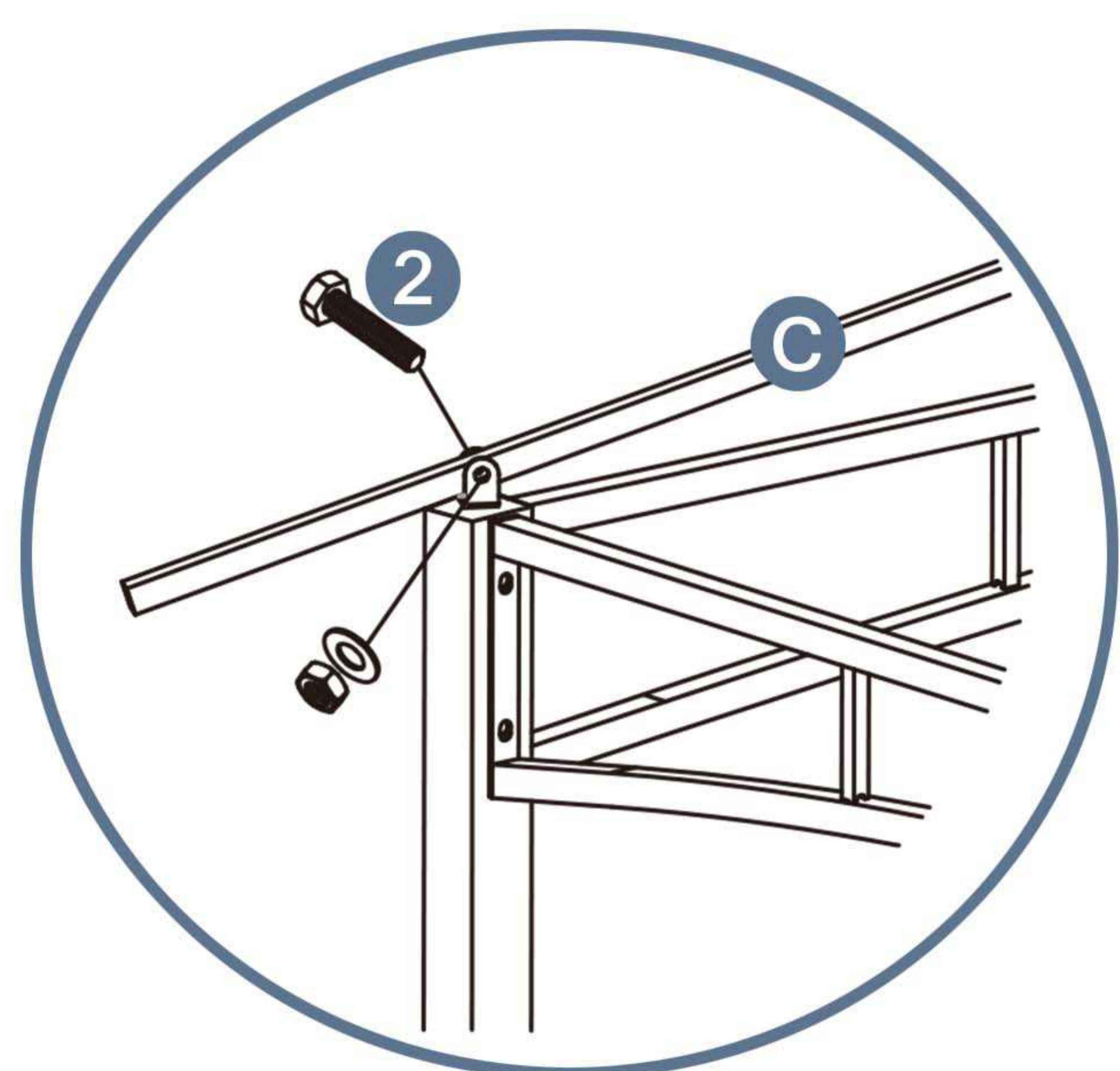
E-mail: cs.helper01@gmail.com

STEP 7

Parts required



2 4pcs



Please take care of the screws and contact the after-sales service if there is any problem with the installation or parts.

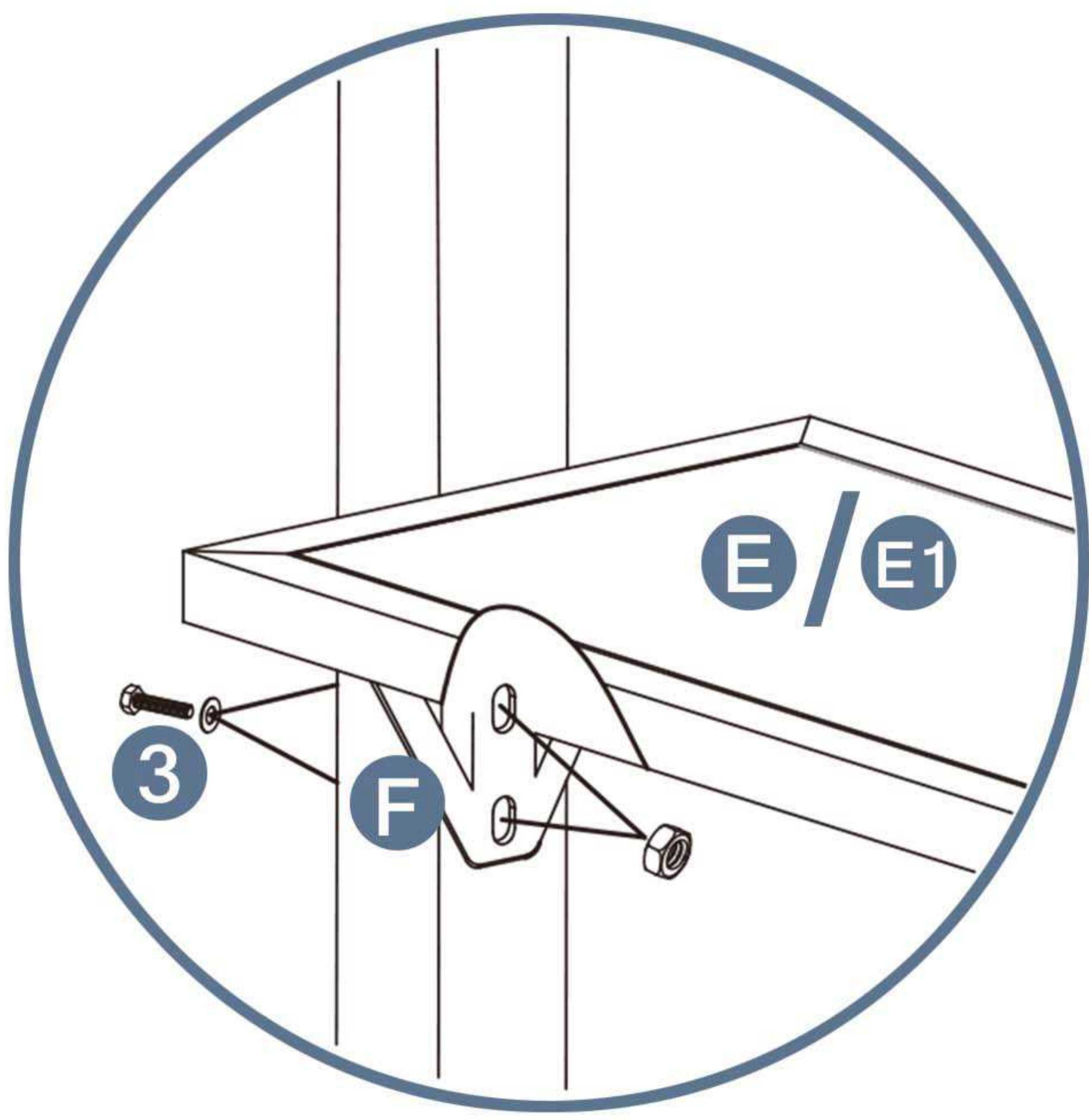
➔ ✉ E-mail: cs.helper01@gmail.com

STEP 8

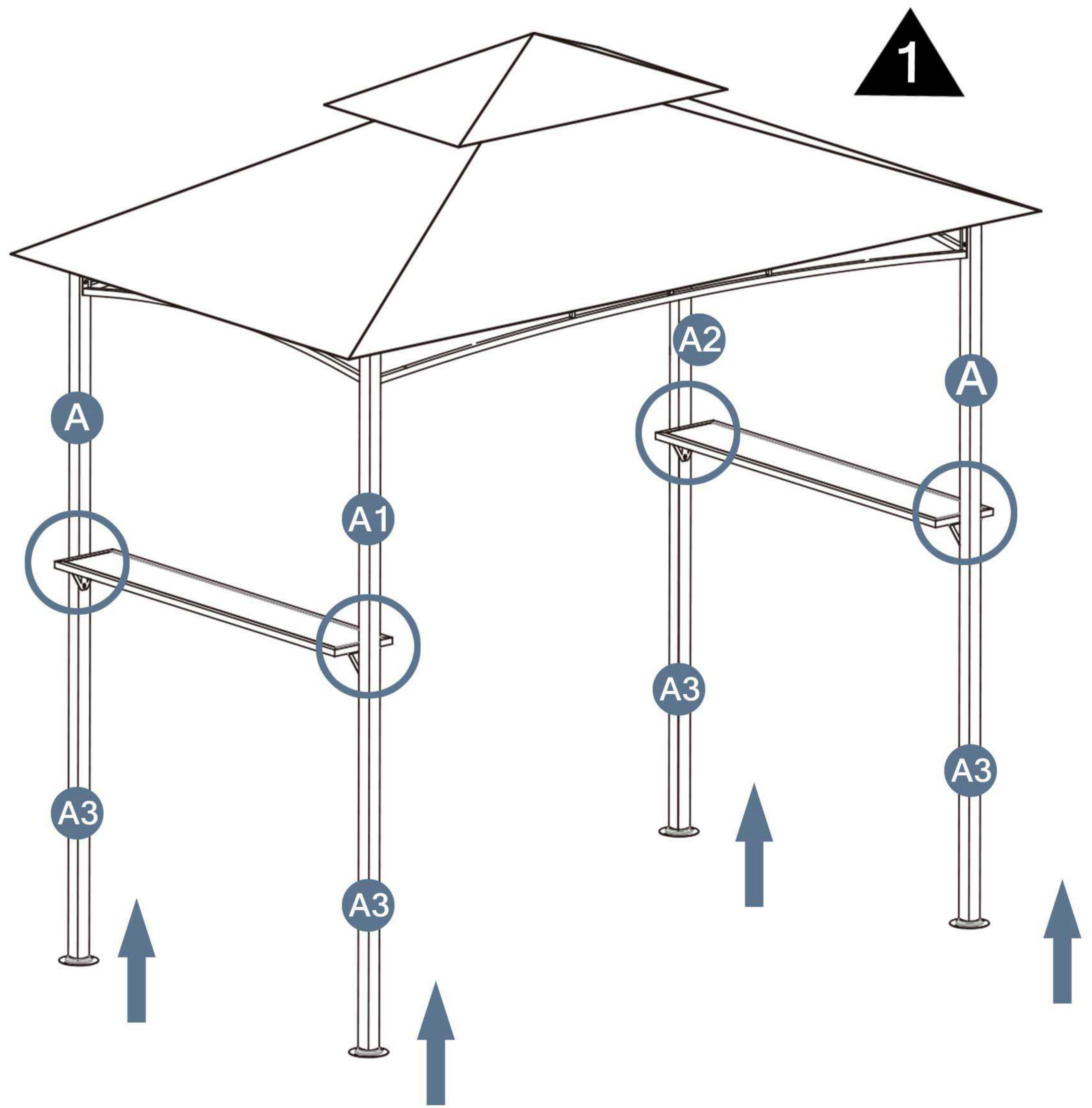
Parts required



3 8pcs



2



Install the A3 tubes at the four corners first.

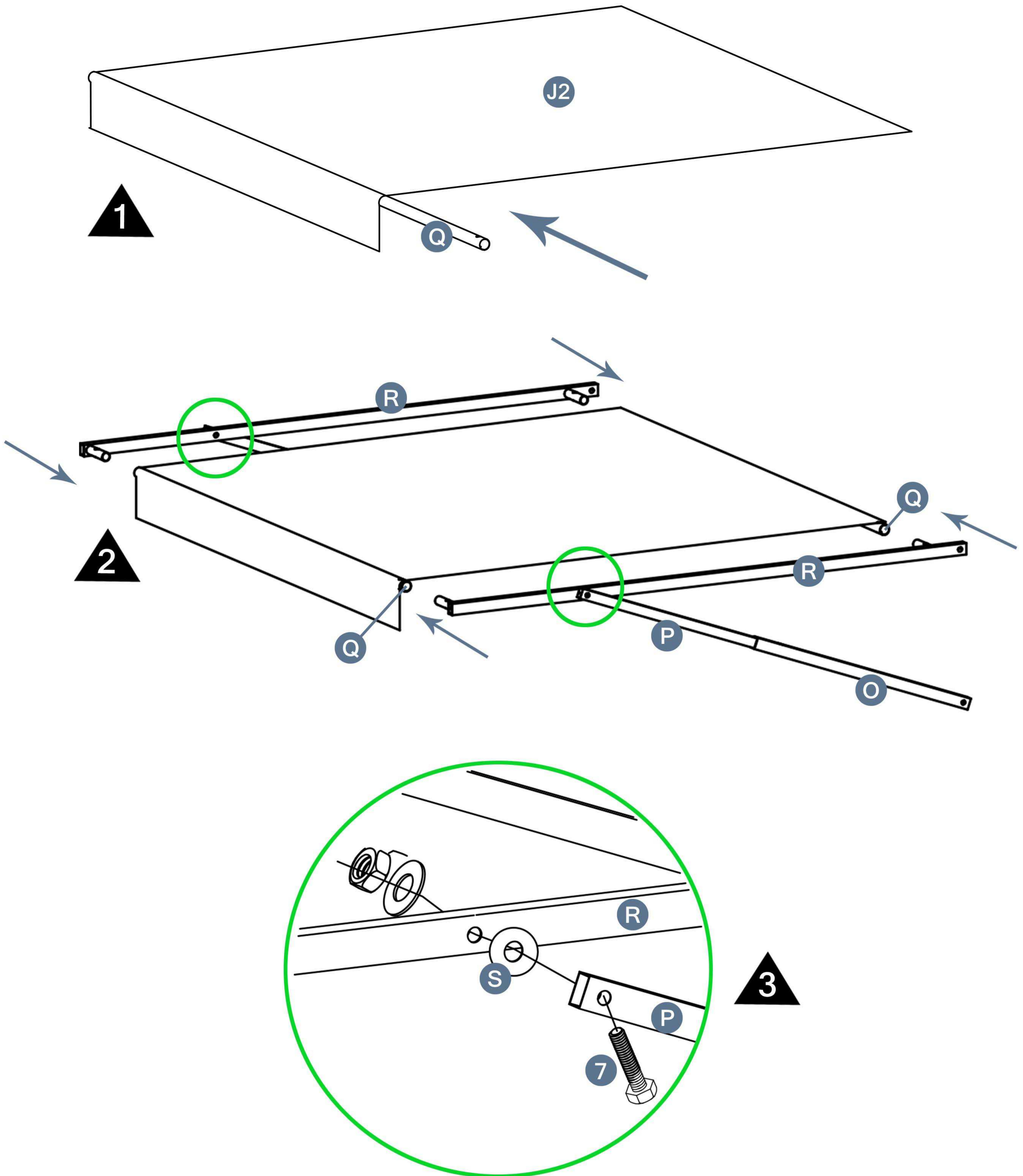
Please take care of the screws and contact the after-sales service if there is any problem with the installation or parts.



E-mail: cs.helper01@gmail.com

STEP 9

Parts required



Please take care of the screws and contact the after-sales service if there is any problem with the installation or parts.

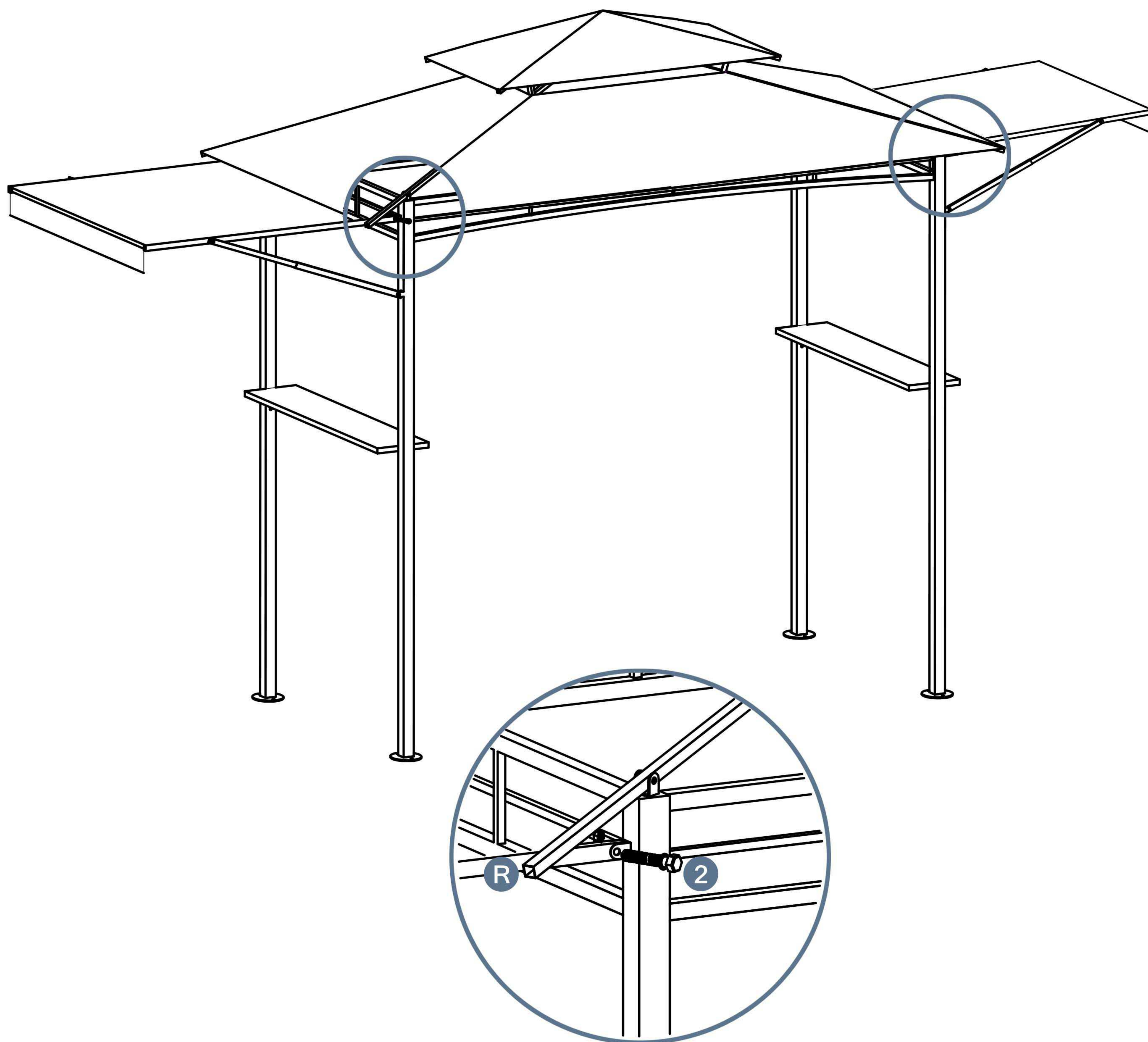
➔ ✉ E-mail: cs.helper01@gmail.com

STEP 10

Parts required



2 4pcs



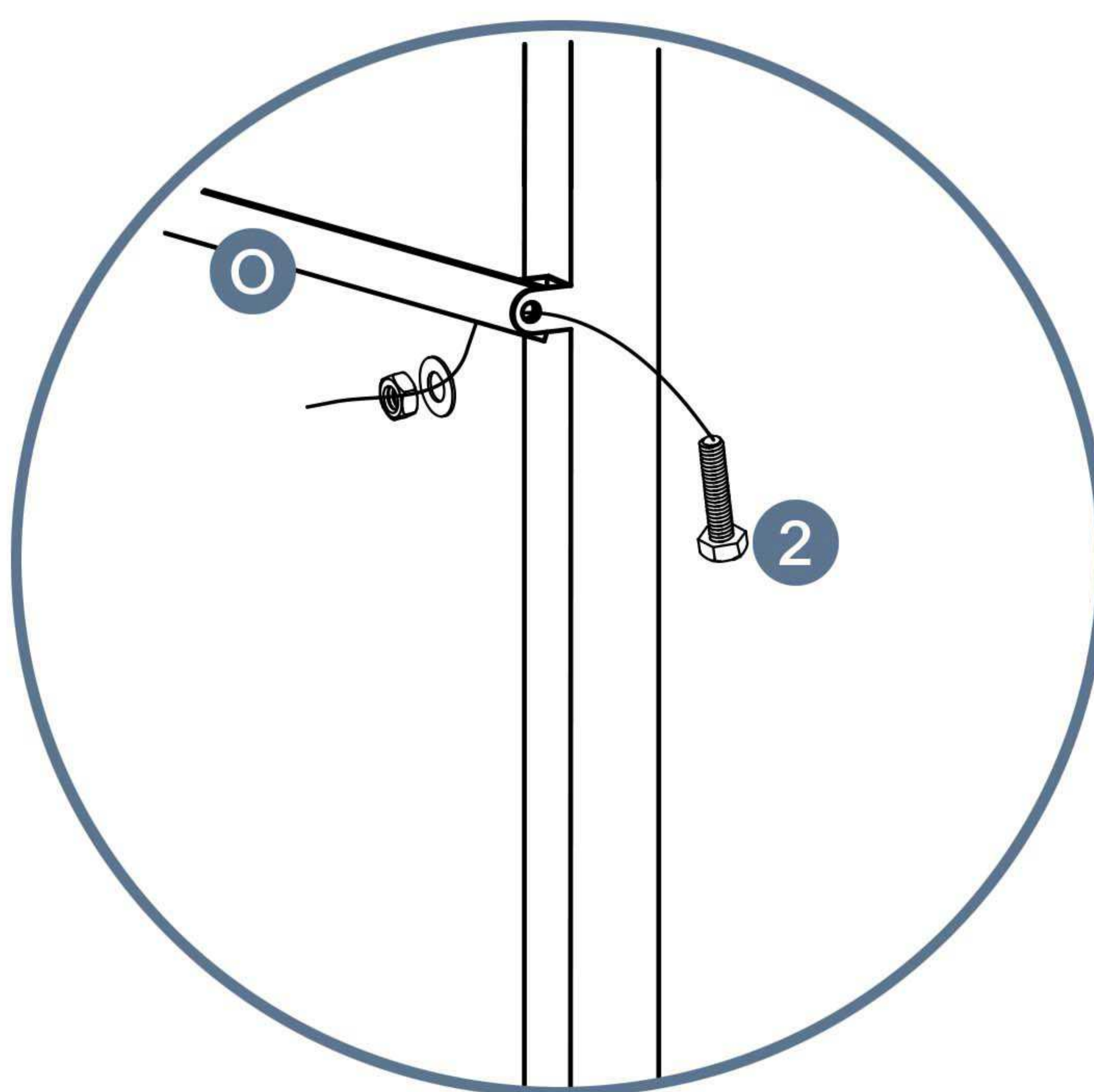
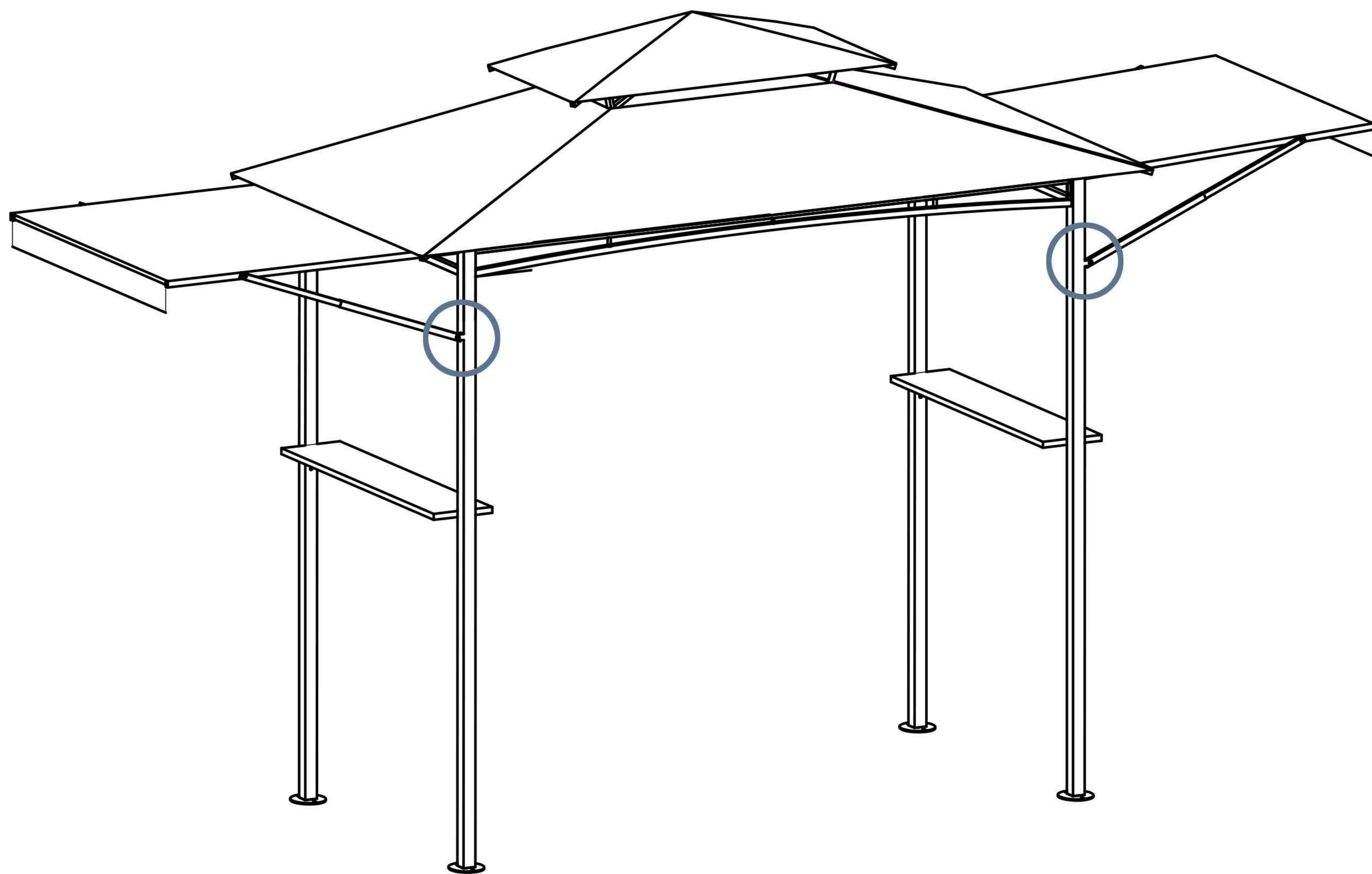
Please take care of the screws and contact the after-sales service if there is any problem with the installation or parts.

STEP 11

Parts required



2 4pcs



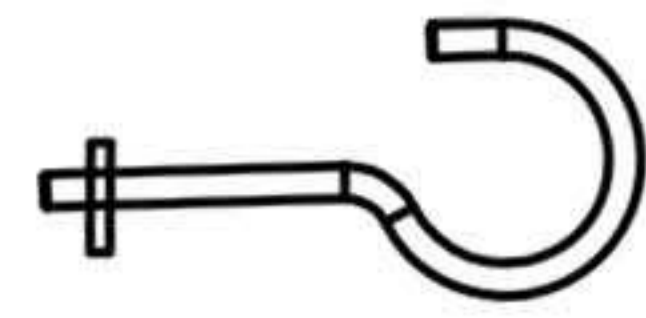
Please take care of the screws and contact the after-sales service if there is any problem with the installation or parts.



E-mail: cs.helper01@gmail.com

STEP 12

Parts required



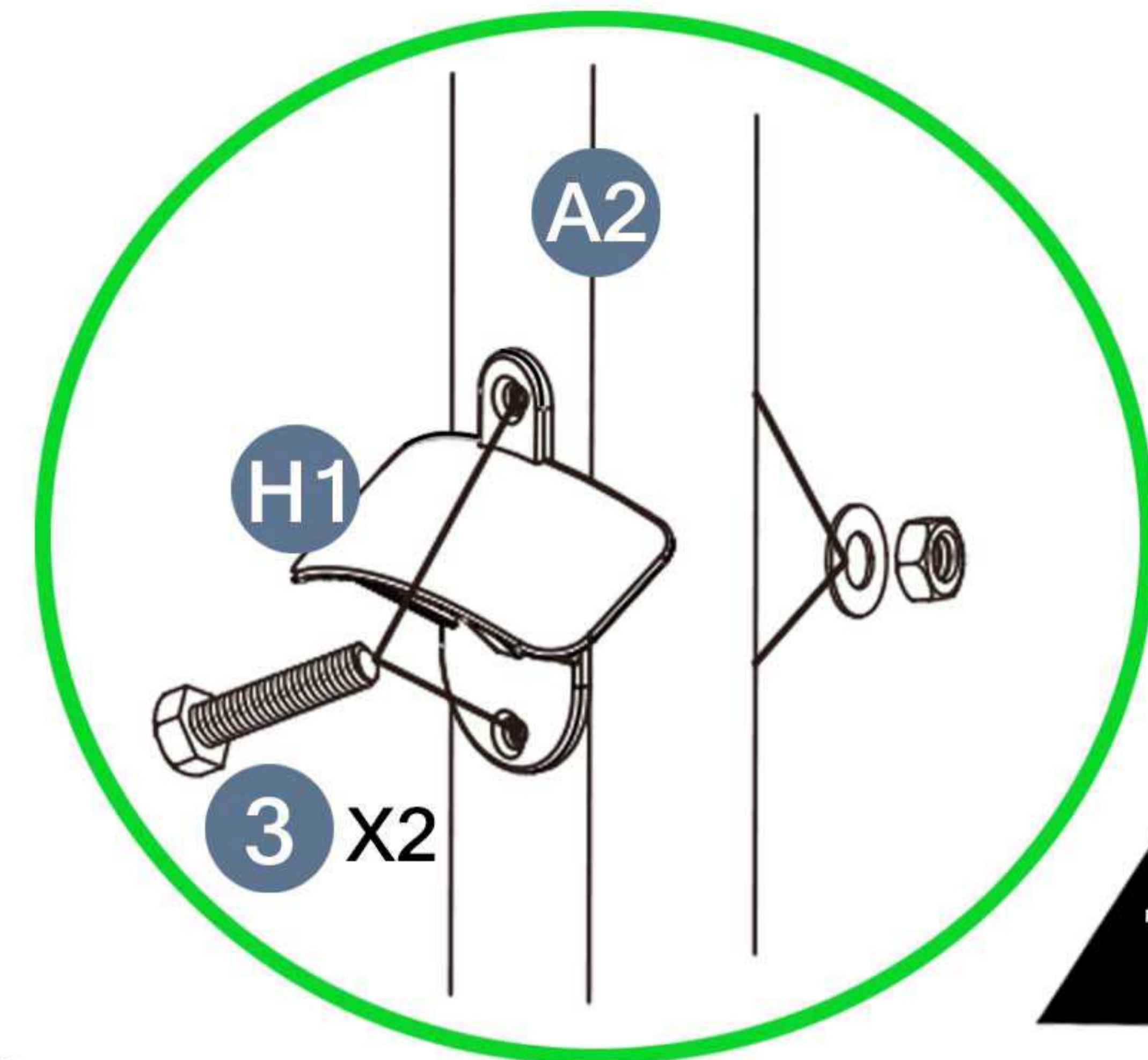
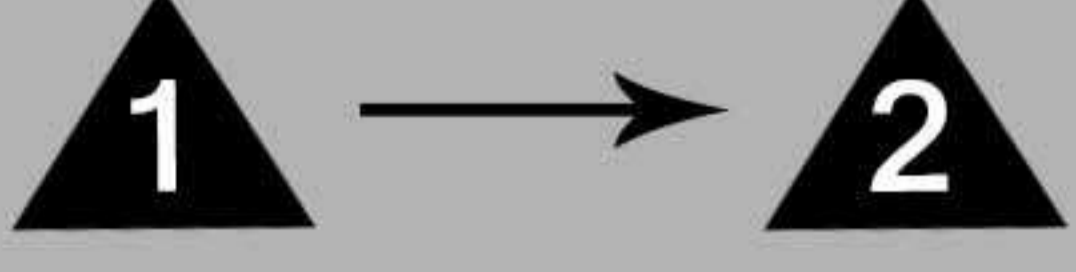
K 8pcs



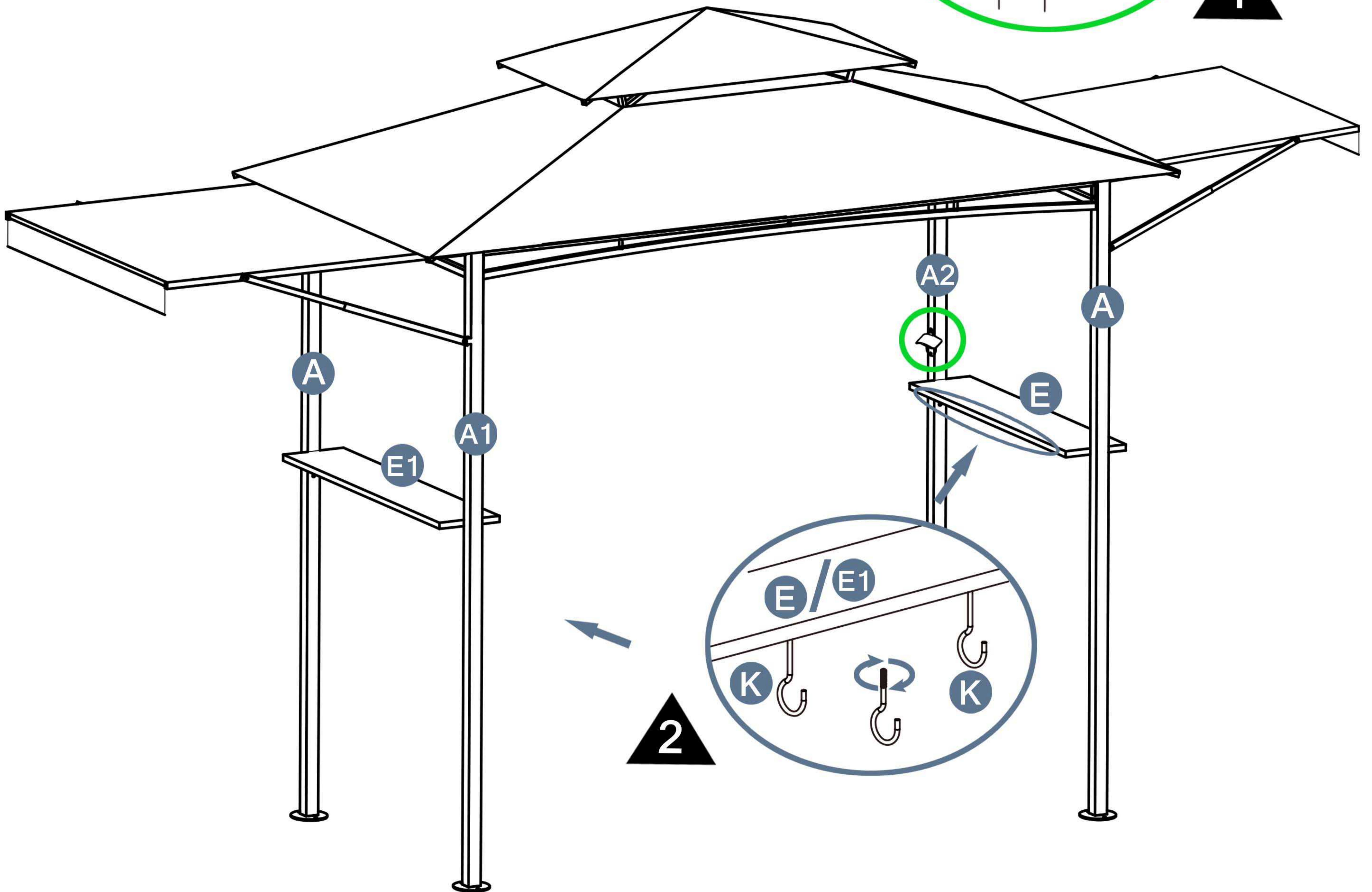
H1 1pcs



3 2pcs



1



2

Please take care of the screws and contact the after-sales service if there is any problem with the installation or parts.

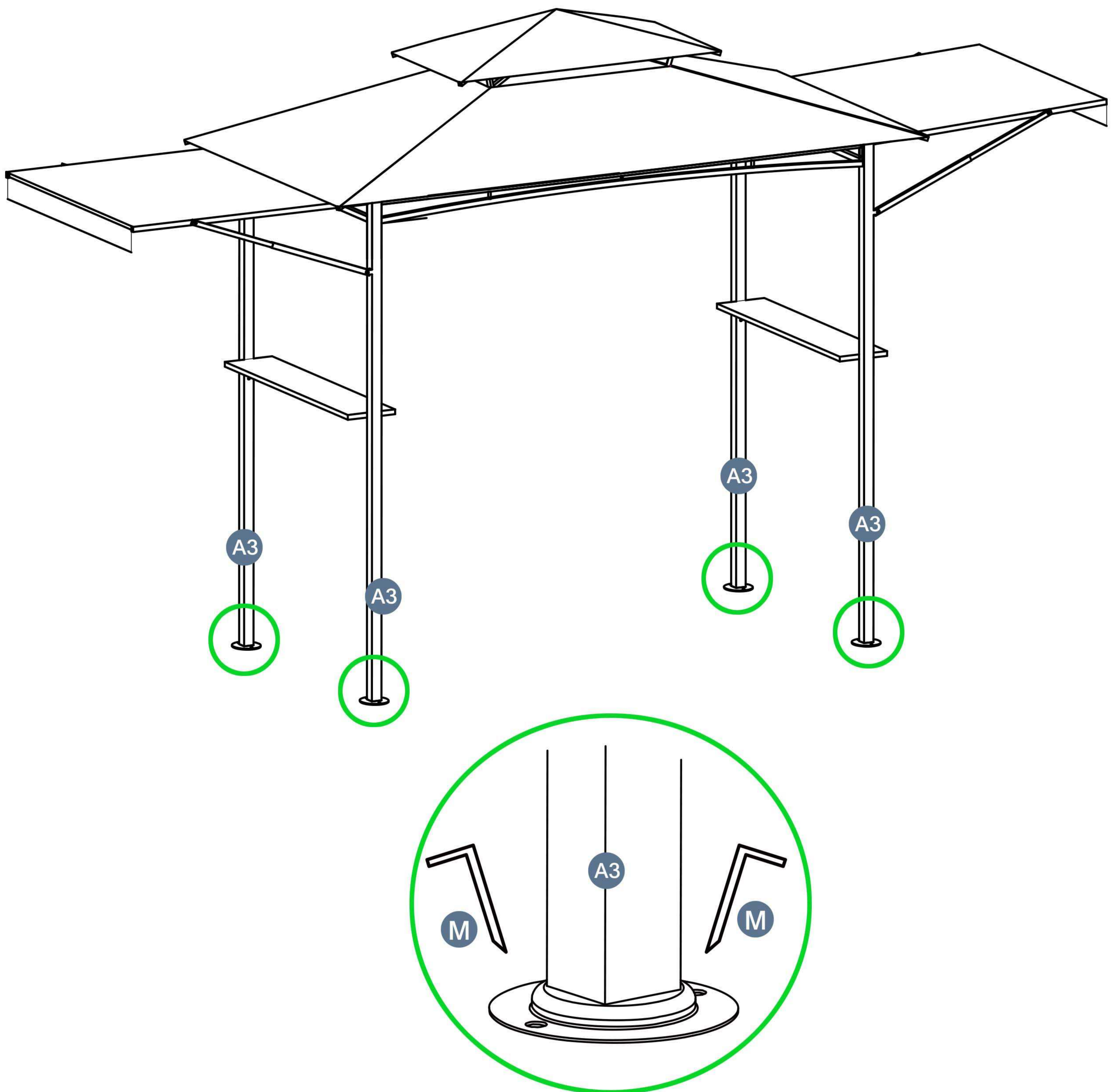
➔ ✉ E-mail: cs.helper01@gmail.com

STEP 13

Parts required



M 8pcs



Please take care of the screws and contact the after-sales service if there is any problem with the installation or parts.

➔ ✉ E-mail: cs.helper01@gmail.com

Hope you enjoy this product.

If you have any concerns about gazebo Installation, please feel free to contact us. We will reply within 24 hours.



E-mail: cs.helper01@gmail.com