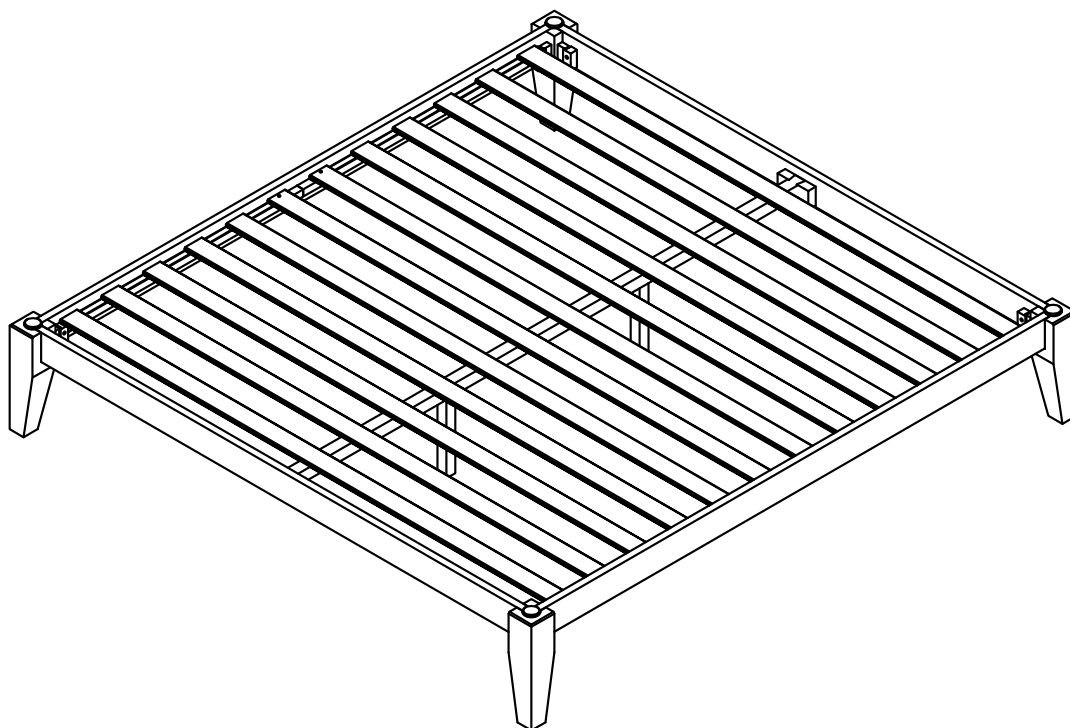


Let's Assemble

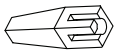

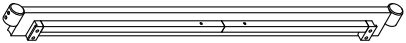
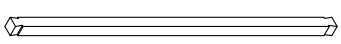
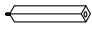


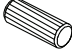

# Thor Bed Frame

SKU 901000 / 901010 / 901020 / 901100 / 901110 / 901120 / 901200 / 901210 / 901220





# The parts

Description	Qty	
A Legs	4	
B End Rails	2	
C Side Rails	2	
D Support Rail	1	
E Support Legs	2	
F Slats-6 pcs	2	
1 Wooden wedges	8 + 4 Extra	
2 Wood Dowel Ø8 X 30mm	4 + 2 Extra	
3 Foot Pads	2 Extra	

## What you need

- Use the packaging carton as a working surface to prevent product damage during assembly

## Estimated time for assembly

**20 minutes**

## Do not use power tools



## Weight Limitation

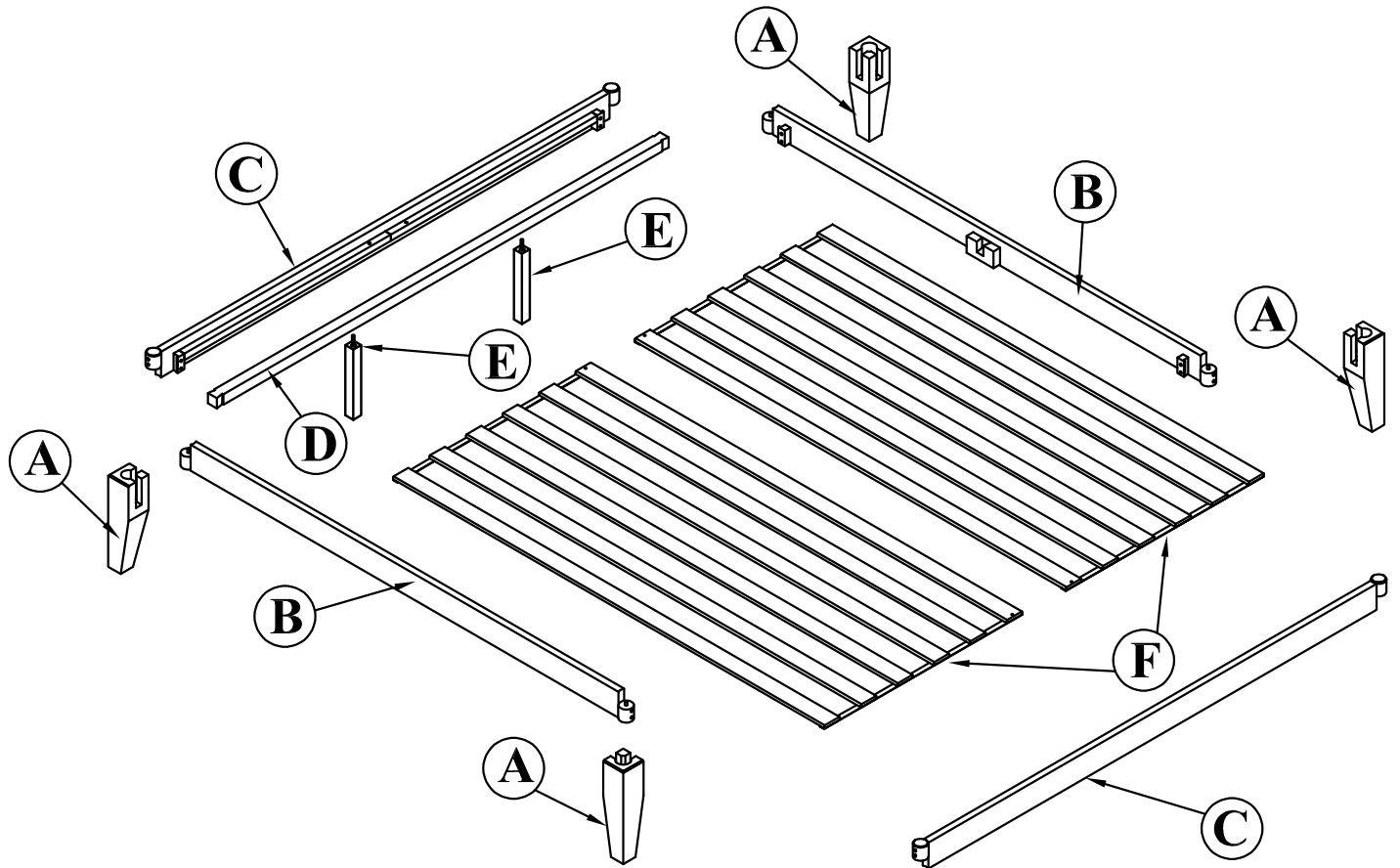


## Need Help?

Toll-free at 1-888-909-5546  
[Help@allforwood.com](mailto:Help@allforwood.com)

# The product

Exploded View

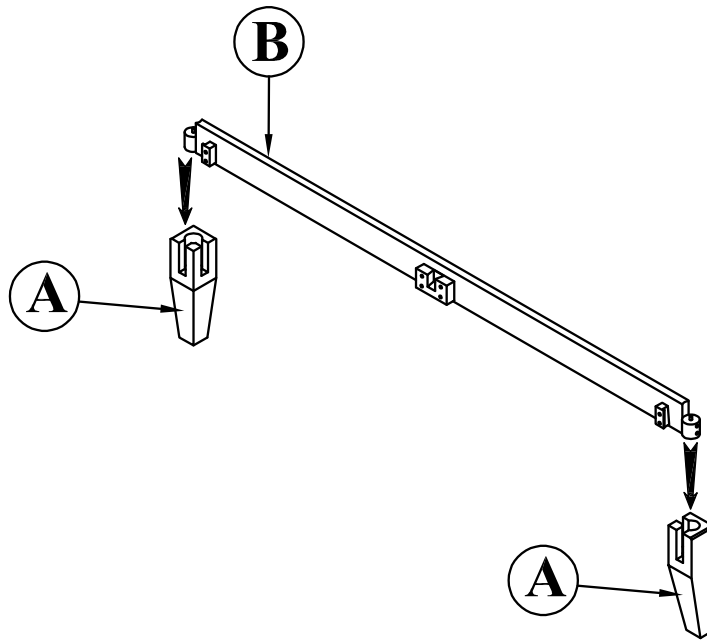


## IMPORTANT

When assembling, place all parts on a soft, clean, and flat surface such as a carpet to prevent scratches.

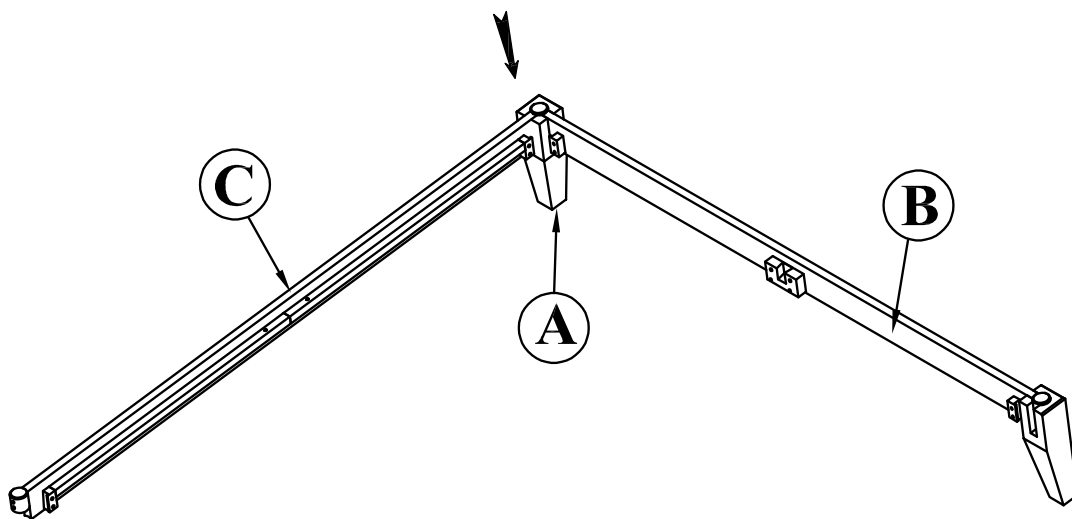
# Step 1

Place the bed frame components where you plan to position the bed.  
Insert the End Rail (B) completely into the Legs (A).



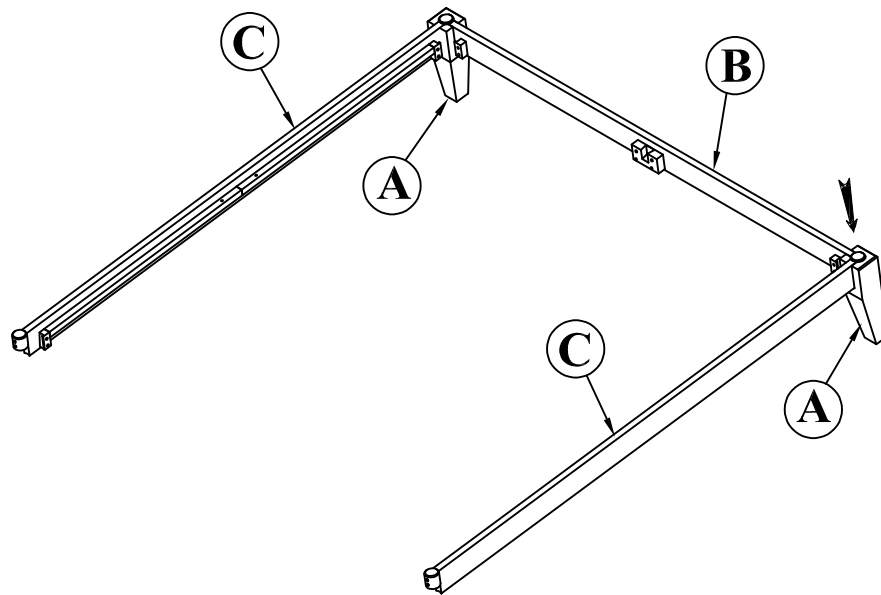
# Step 2

Insert the Side Rail (C) completely into the Leg (A)



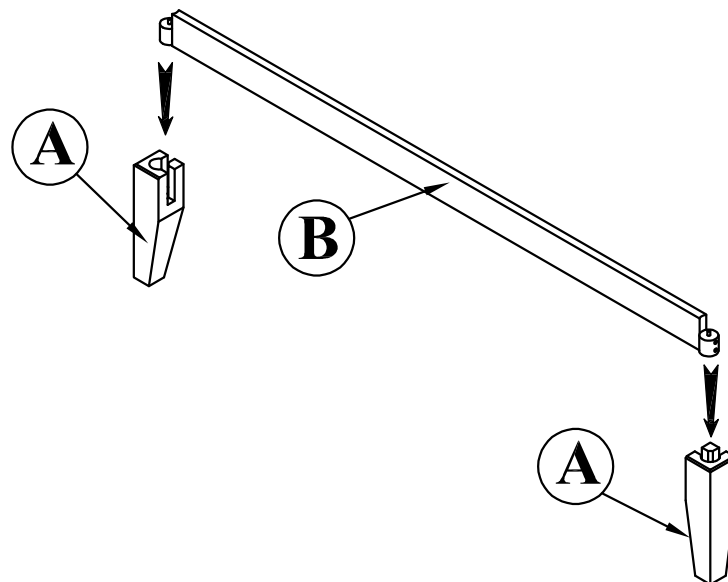
# Step 3

Repeat Step 2 for the other Side Rail (C) completely into the Leg (A)



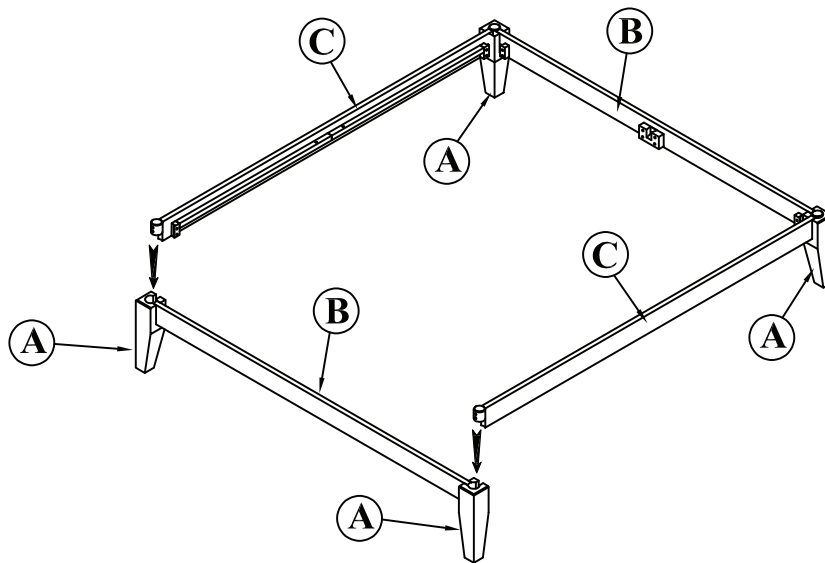
# Step 4

Insert the End Rail (B) completely into the Legs (A)



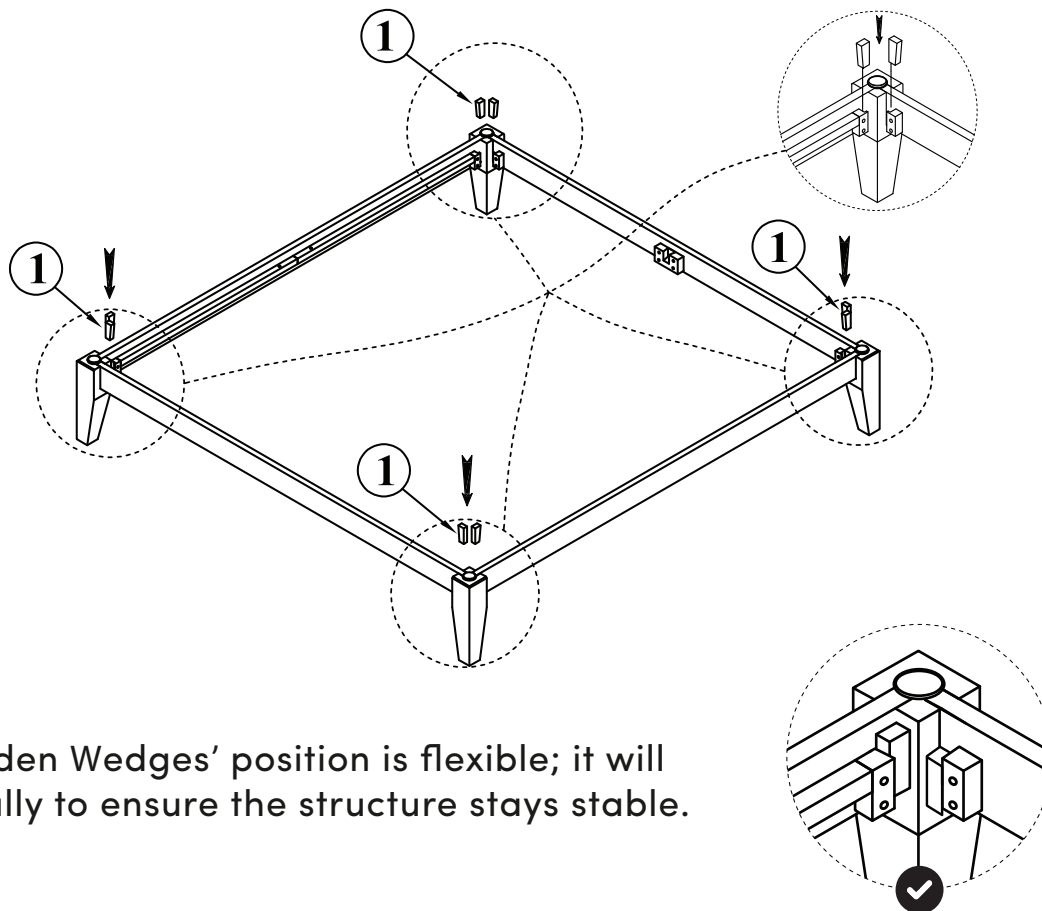
# Step 5

Put the assembled Side Rail (C) completely to the leg (A)



# Step 6

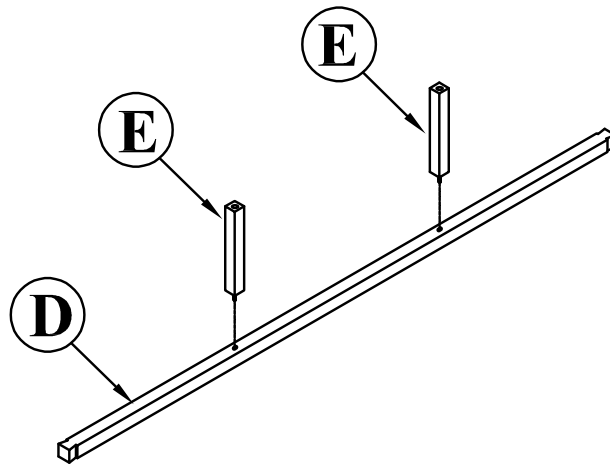
Insert the Wooden Wedges (1) completely into the slots.



The Wooden Wedges' position is flexible; it will fit naturally to ensure the structure stays stable.

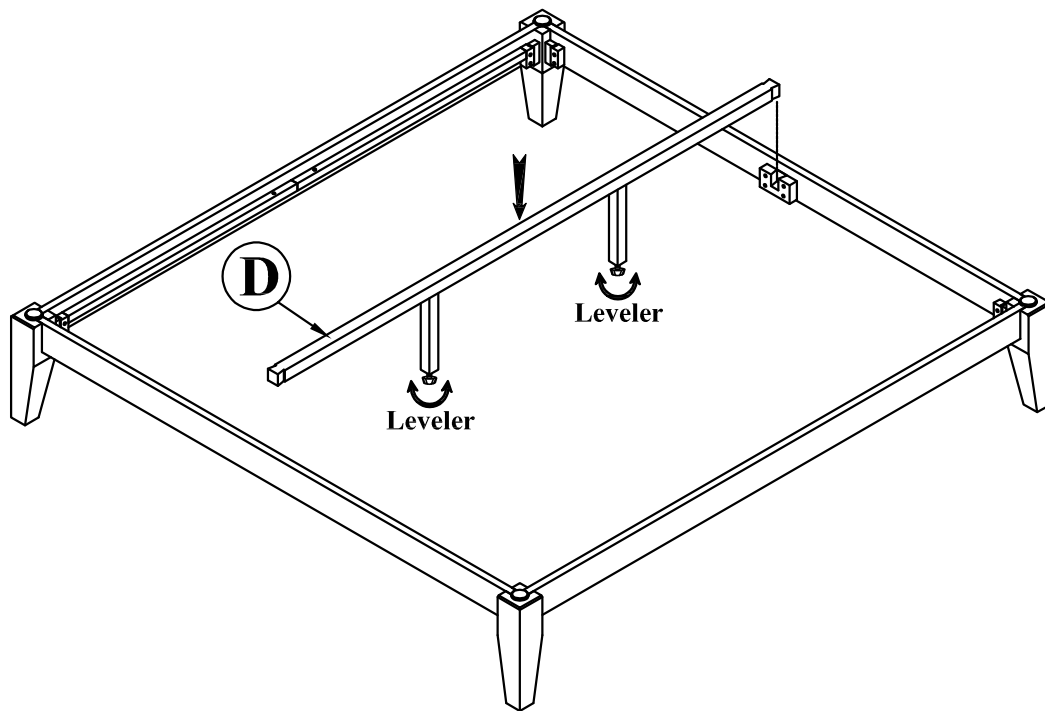
# Step 7

Assembly the Support Legs (E) into the Support Rail (D)



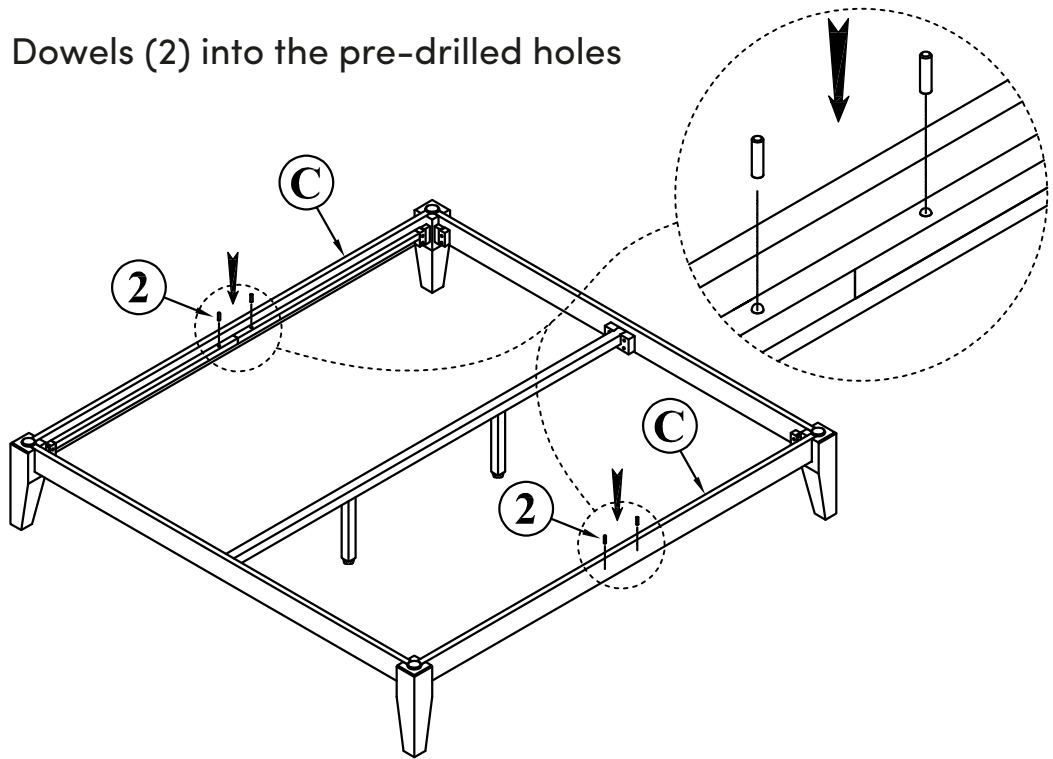
# Step 8

Insert the support rails (D) completely into the slots at the End Rails.



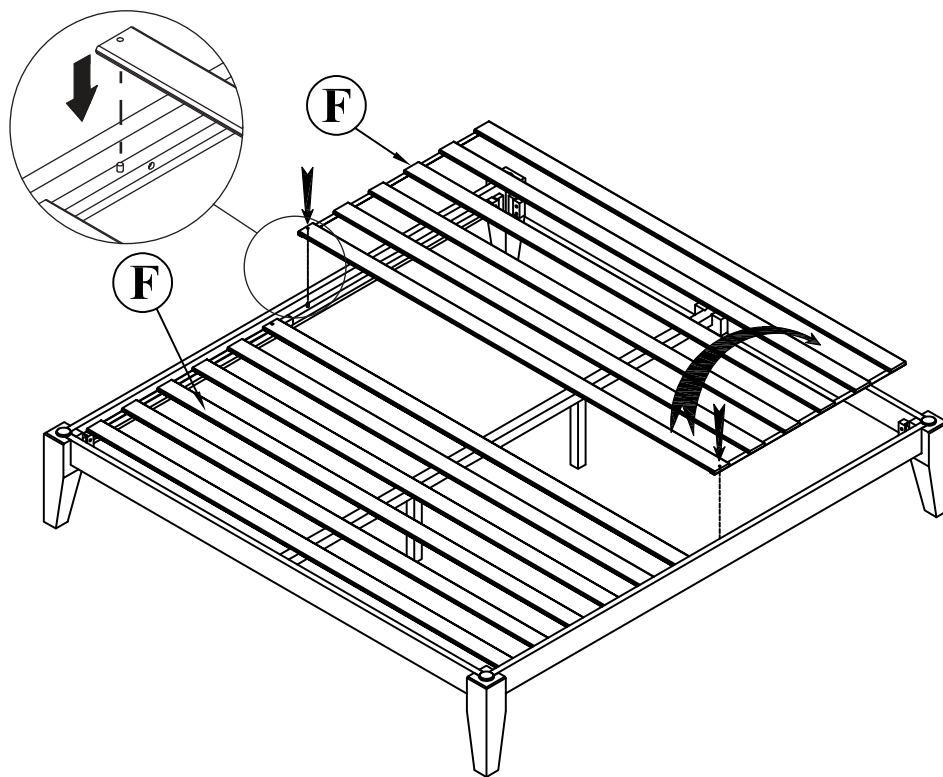
# Step 9

Insert the Wood Dowels (2) into the pre-drilled holes

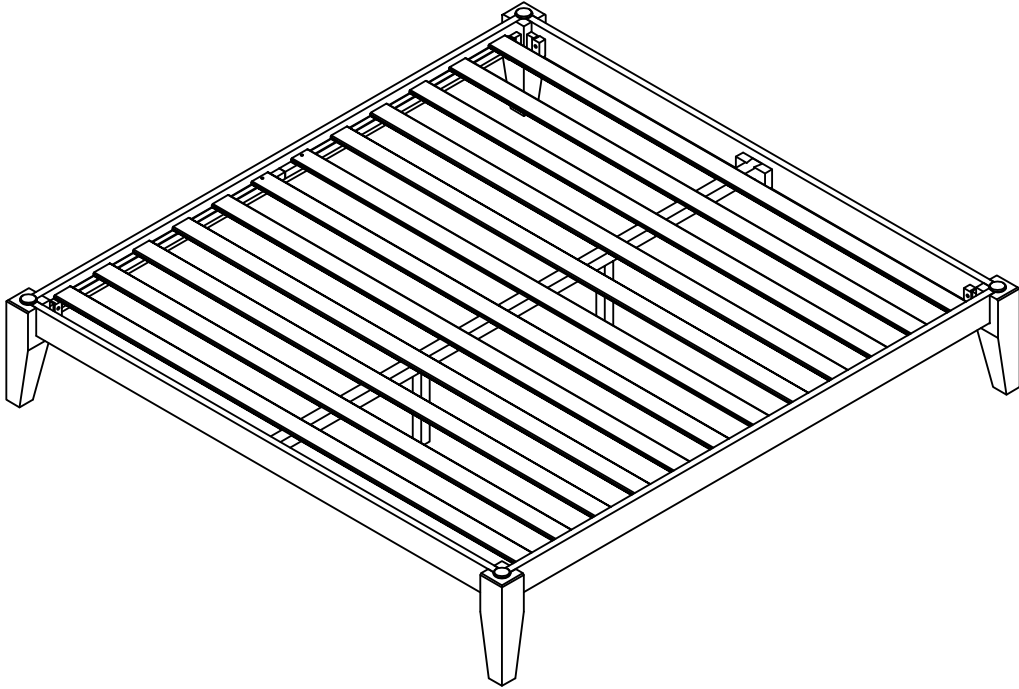


# Step 10

Attach the slatted piece with holes (F) to the assembled Wooden Dowel (2) and stretch outward.



# Ready to use



## Prioritize safety

For detailed care and maintenance instructions for the bed frame and wood, please visit our website at [allforwood.com/product](https://www.allforwood.com/product).

- |                   |   |
|-------------------|---|
| <b>Proper use</b> | <ul style="list-style-type: none"><li>DO NOT - Modify the structure of this product</li><li>DO NOT - Use for commercial purposes</li><li>DO NOT - Leave spilled liquids on the bed frame</li><li>DO NOT - Use the bed frame if it is damaged</li><li>DO NOT - Perform temporary repairs</li><li>DO NOT - Use outdoors</li></ul> |
|-------------------|---|

# The return

Stress-free returns when we take care of it.

Feel free to call us at

**1-888-909-5546**

or send us a message at

**help@allforwood.com**

We'll provide you with a hassle-free replacement at no cost.

## Replacement



Give us a call or email



Replacement



You

## Return



Re-package item



Schedule pick up



Track package



Replacement



You

We really want to save you the trouble of re-packaging and returning your item, because let's be honest, no one has time for that.

# Warranty

This product includes a specific warranty period starting from the purchase date.  
To register your product, simply scan the QR code with your phone

**Scan me!**

For Warranty



**Need Help?**

Toll-free at 1-888-909-5546

Help@allforwood.com

www.allforwood.com