
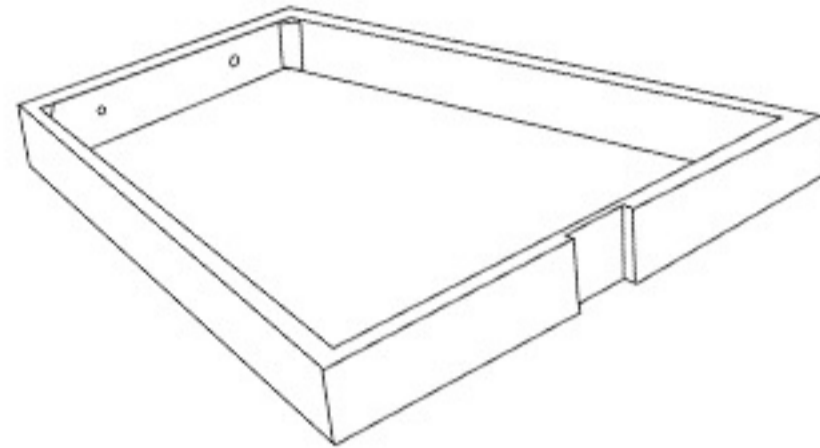
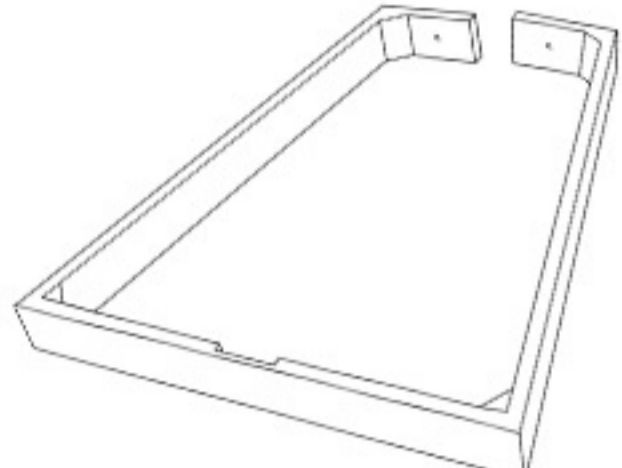


ASSEMBLY INSTRUCTION

CVFNR4550

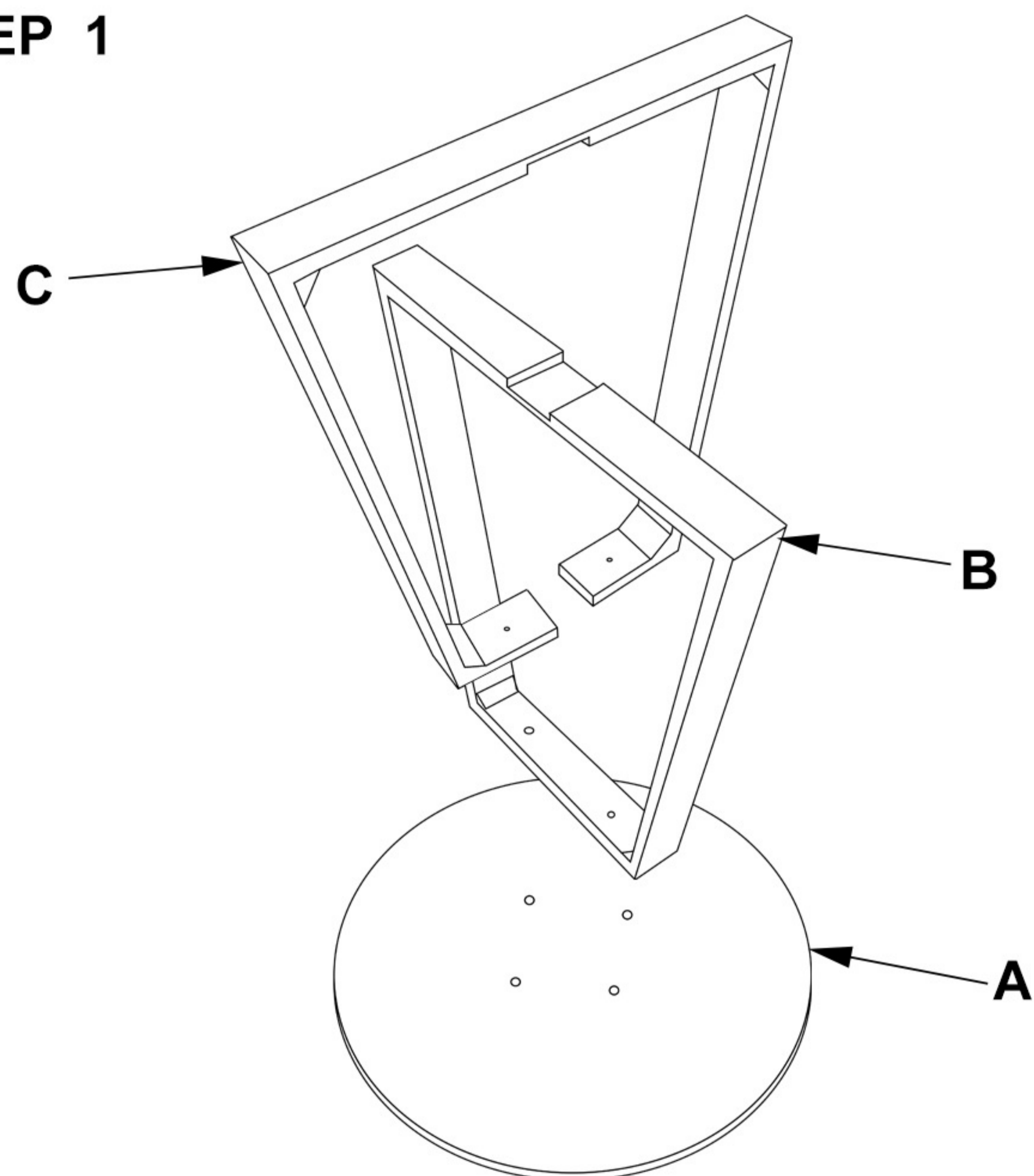
PARTS

S.No.	DESCRIPTION	QTY
A	 WOODEN CASE	1
B	 WOODEN LEG B1	1
C	 WOODEN LEG B2	1

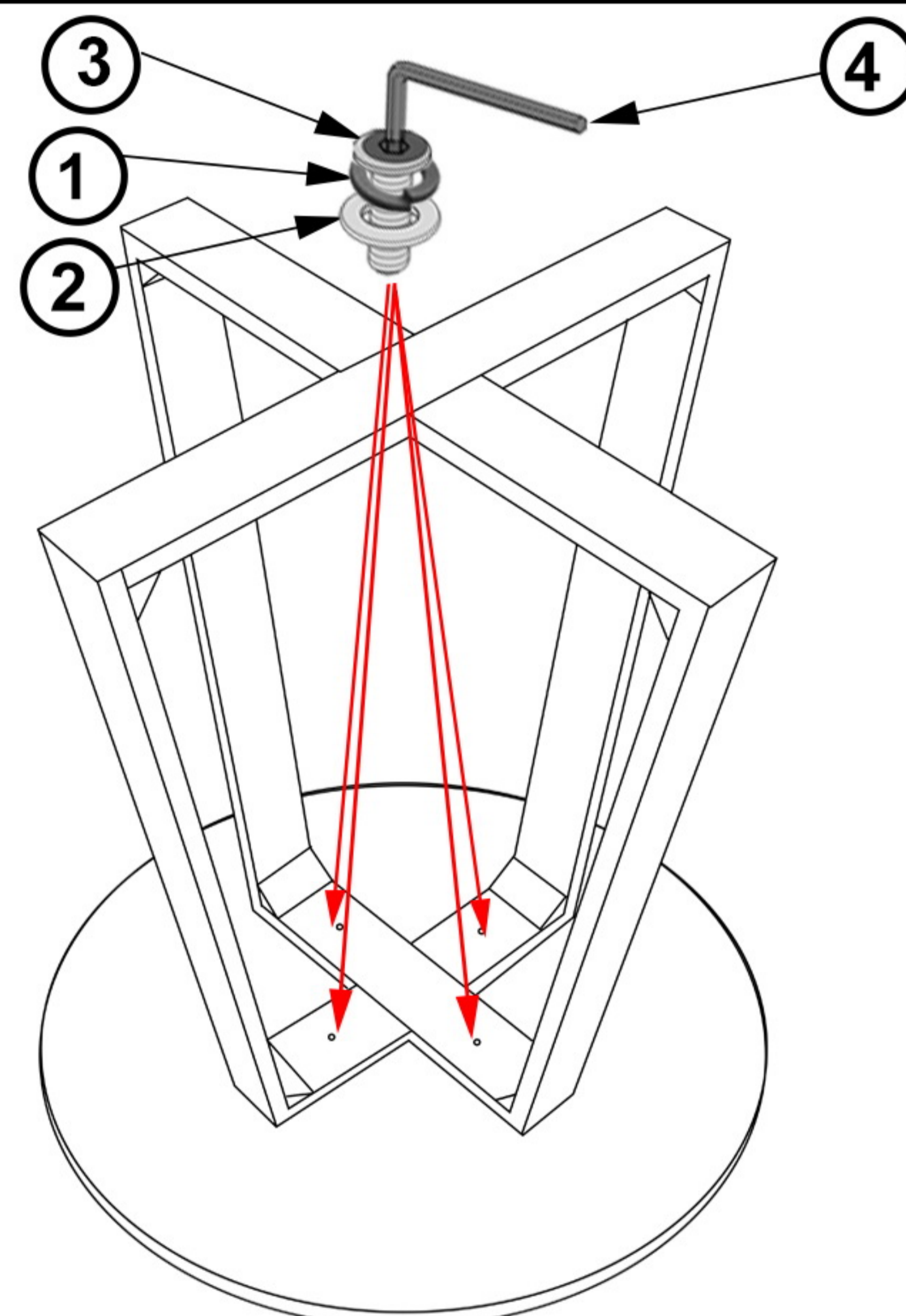
HARDWARE

S.No.	DESCRIPTION	QTY
①	 SPRING WASHER	4
②	 WASHER	4
③	 ALLEN BOLT 6X35MM	4
④	 Allen Key 4mm	1

STEP 1

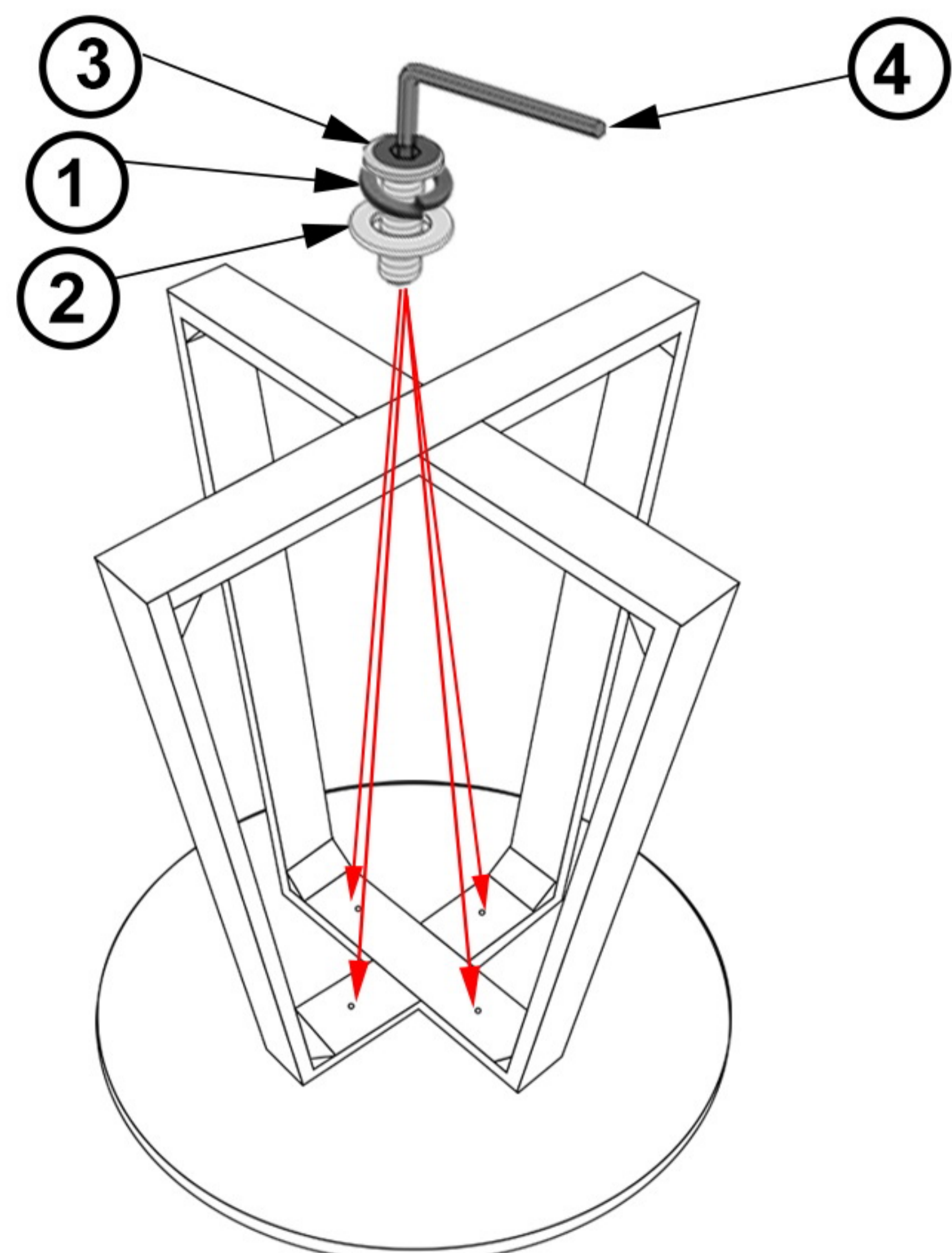


STEP 2



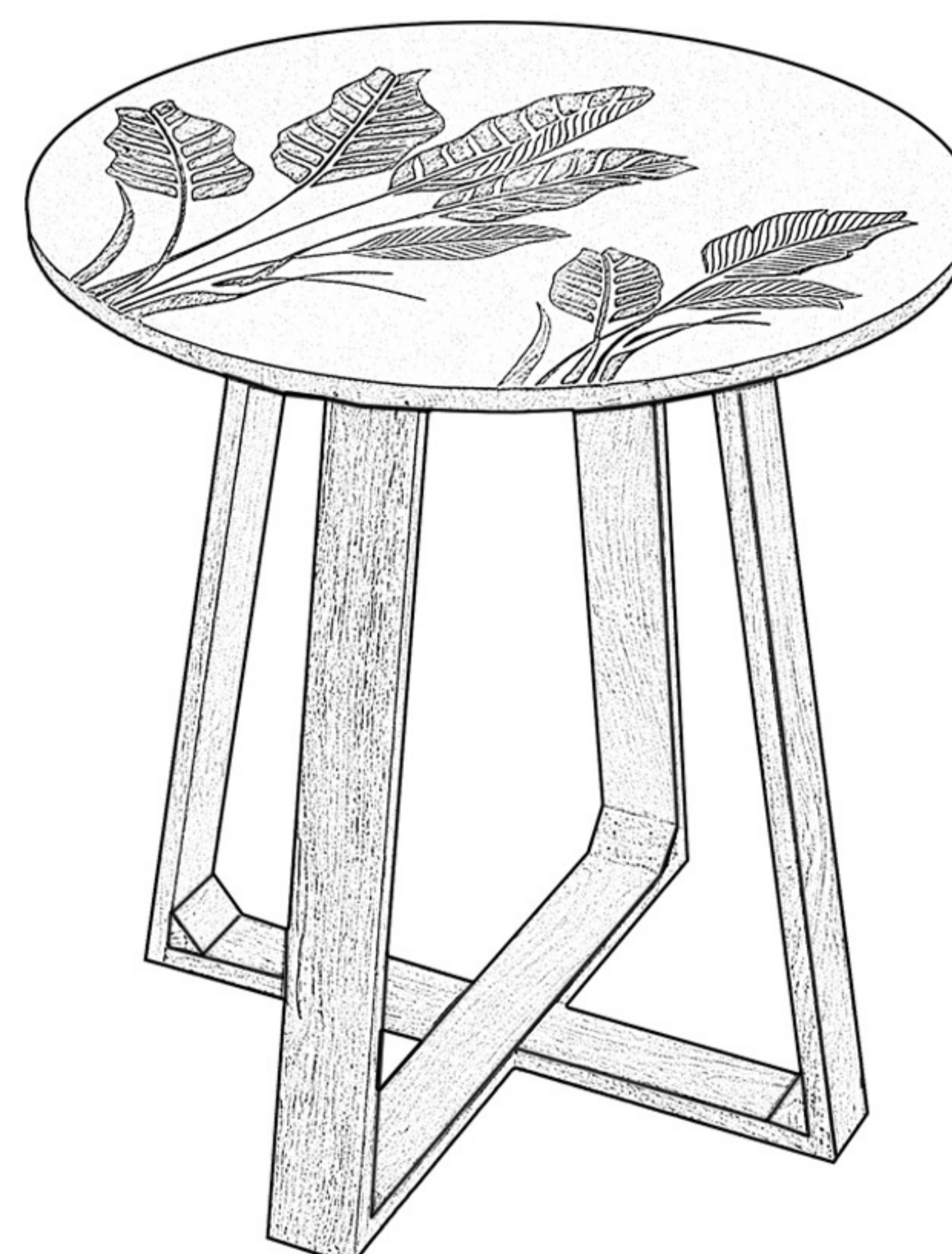
Do not completely tighten the Allen Bolt till installation complete.

STEP 3



Now can tighten all the Allen Bolt.

STEP 4



MADE IN INDIA