

ASSEMBLY INSTRUCTIONS



ARMLESS CHAIR

ASSEMBLY INSTRUCTIONS

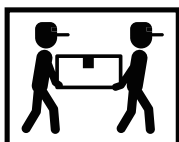
ASSEMBLY TIPS:

1. Remove hardware from box and sort by size.
2. Please check to see that all hardware and parts are present prior to start of assembly.
3. Please follow attached instructions in the same sequence as numbered to assure fast & easy assembly.



WARNING!




1. Don't attempt to repair or modify parts that are broken or defective. Please contact the store immediately.
2. This product is for home use only and not intended for commercial establishments.



ASSEMBLY TIME

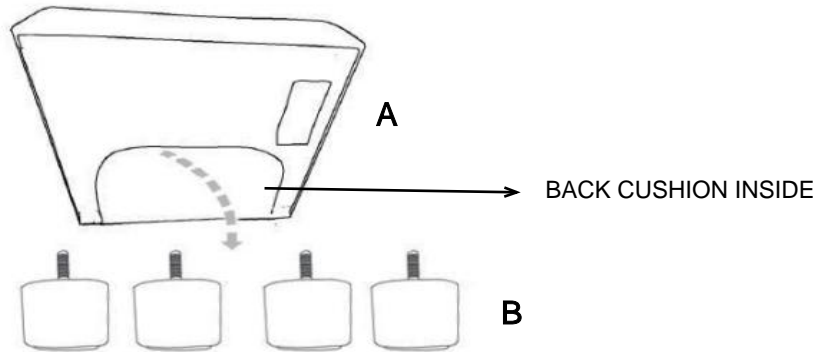
10 MINUTES

PARTS IDENTIFICATION

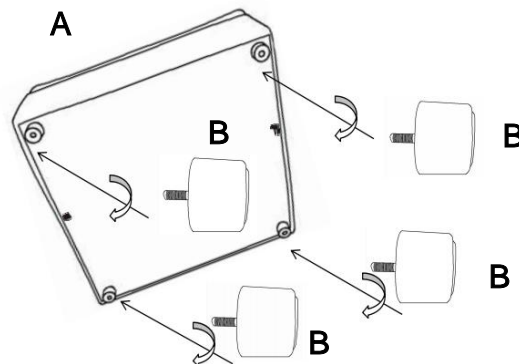
	PART NAME	FIGURE	QUANTITY
A	ARMLESS CHAIR		1PC
B	LEG		4PCS
C	BACK CUSHION		1PC

ASSEMBLY INSTRUCTIONS

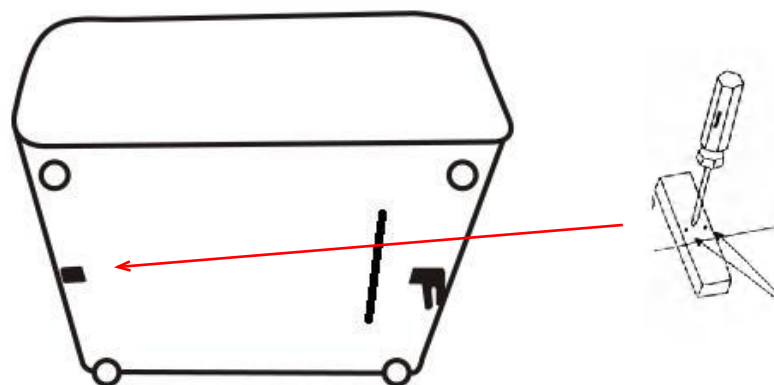
STEP 1 Turn over the item and take out the legs from zippered pouch



STEP 2 Install the legs as pictures show

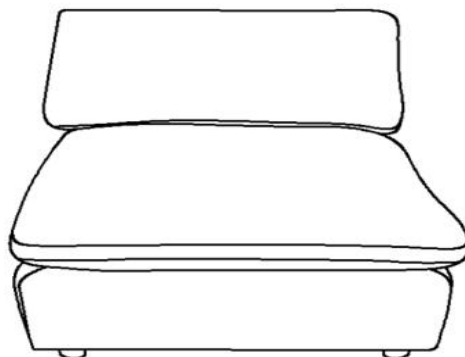


STEP 3 Please remove the wood block with screwdriver, do not use a hammer



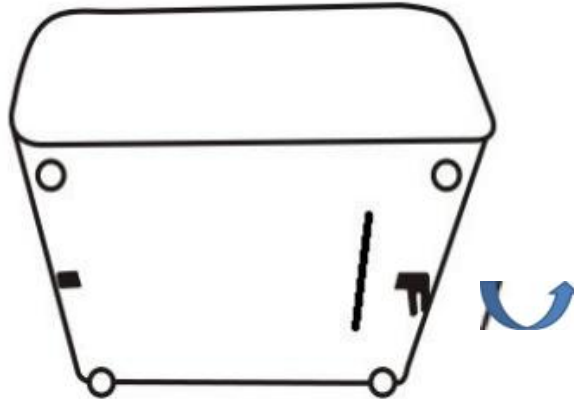
STEP 4

COMPLETE



ASSEMBLY INSTRUCTIONS

STEP 5 Rotate the metal clips

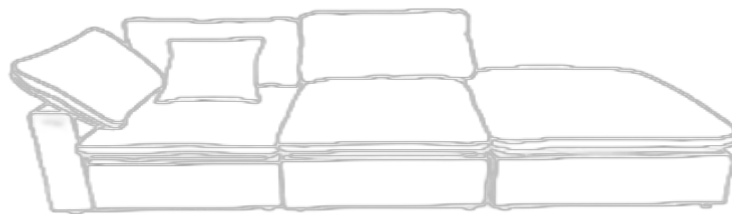


STEP 6 Put the armless chair and corner and ottoman closer

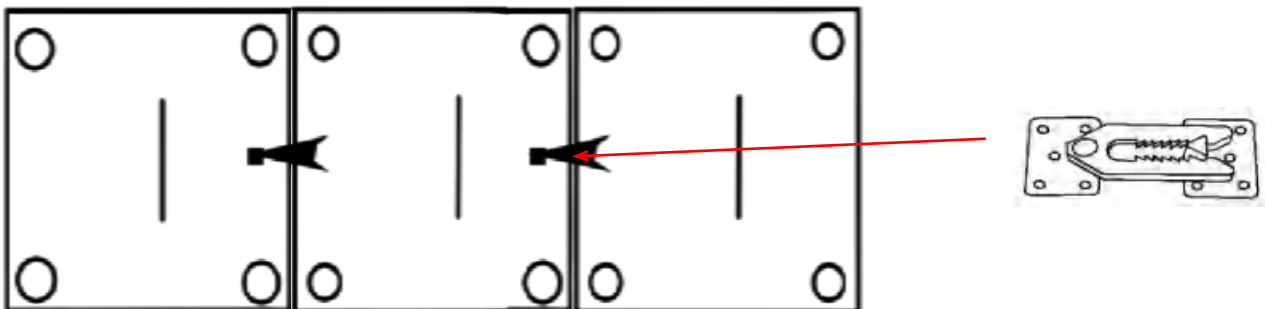
551752

551751

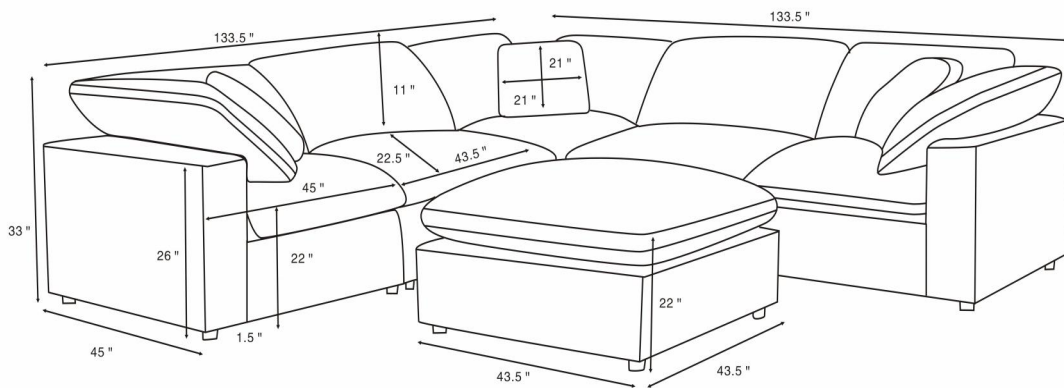
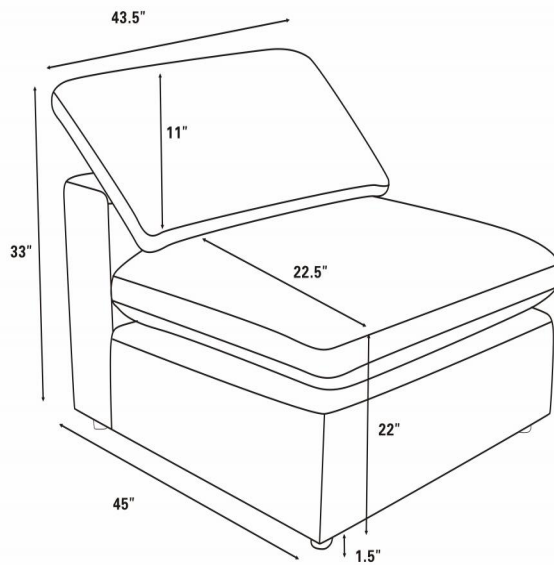
551753



STEP 7 Insert the metal clips to connect other units as pictures show



ASSEMBLY INSTRUCTIONS



Note : Dimension tolerance $\pm 5\%$



ASSEMBLY INSTRUCTIONS



CORNER

ASSEMBLY INSTRUCTIONS

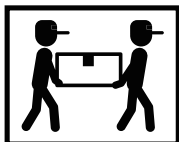
ASSEMBLY TIPS:

1. Remove hardware from box and sort by size.
2. Please check to see that all hardware and parts are present prior to start of assembly.
3. Please follow attached instructions in the same sequence as numbered to assure fast & easy assembly.



WARNING!



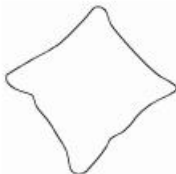
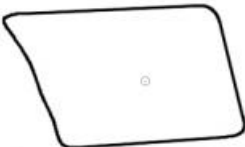
1. Don't attempt to repair or modify parts that are broken or defective. Please contact the store immediately.
2. This product is for home use only and not intended for commercial establishments.



ASSEMBLY TIME

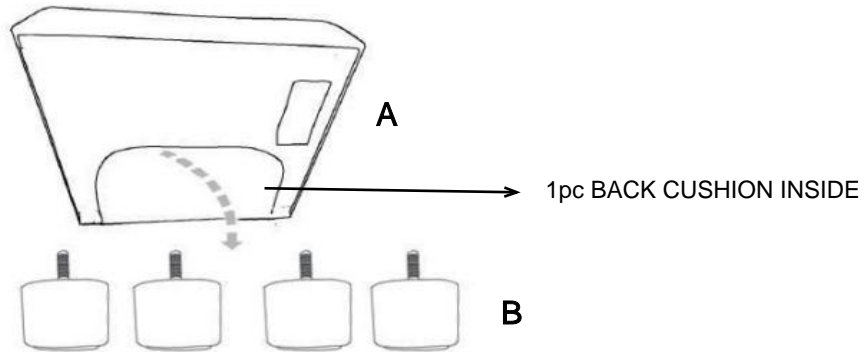
10 MINUTES

PARTS IDENTIFICATION

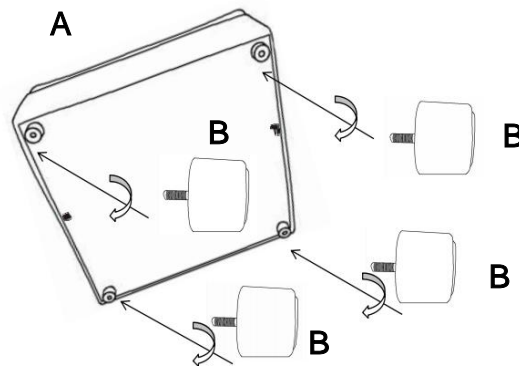
	PART NAME	FIGURE	QUANTITY
A	CORNER		1PC
B	LEG		4PCS
C	PILLOW		1PC
D	BACK CUSHION		2PCS

ASSEMBLY INSTRUCTIONS

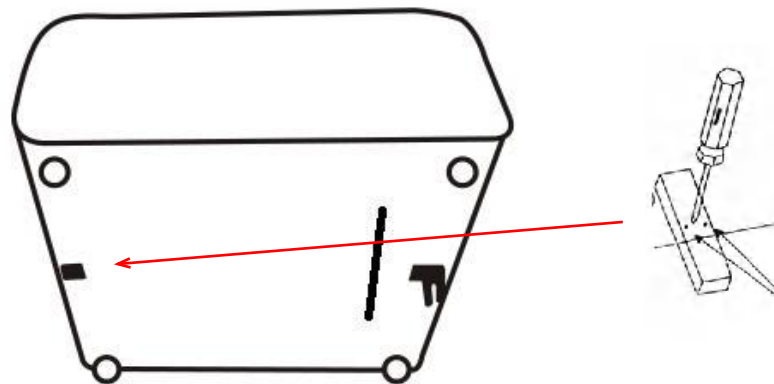
STEP 1 Turn over the item and take out the legs from zippered pouch



STEP 2 Install the legs as pictures show

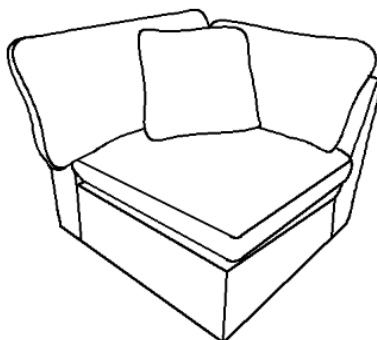


STEP 3 Please remove the wood block with screwdriver, do not use a hammer



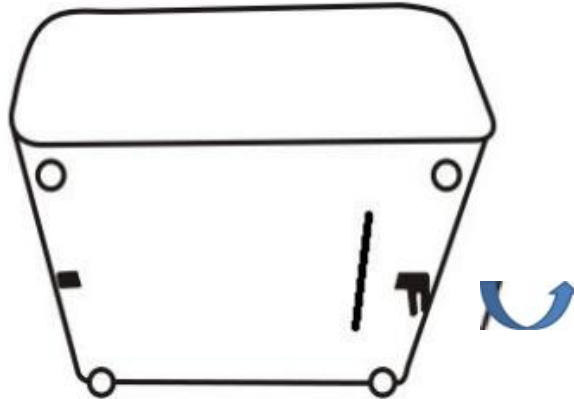
STEP 4

COMPLETE

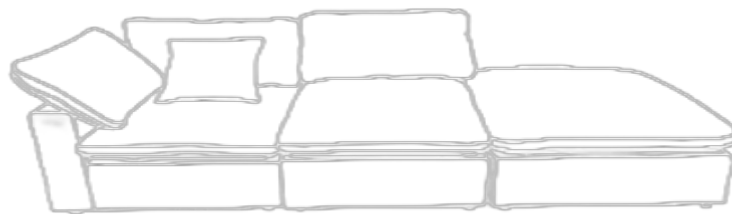


ASSEMBLY INSTRUCTIONS

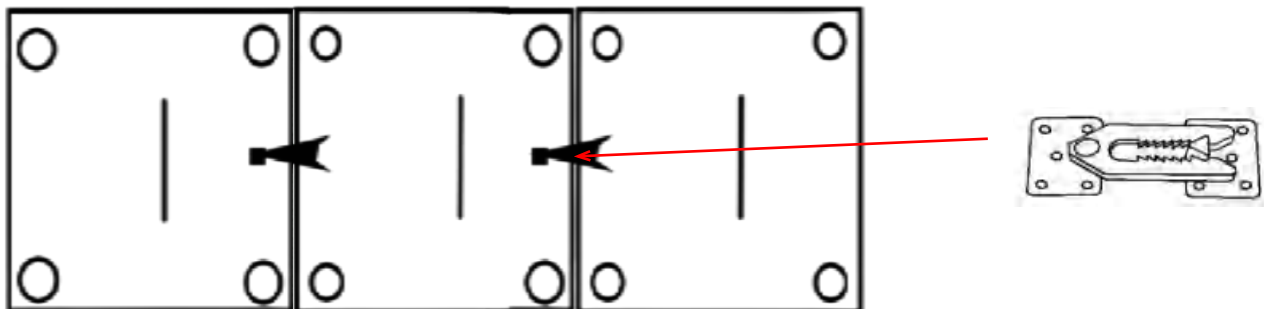
STEP 5 Rotate the metal clips



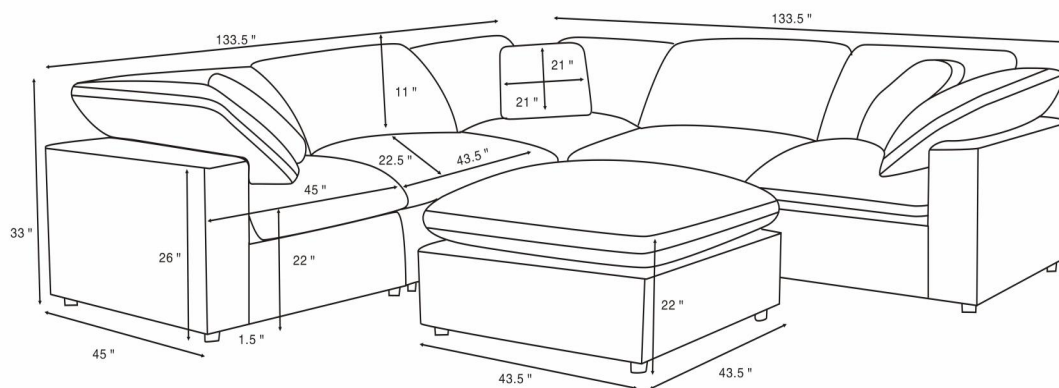
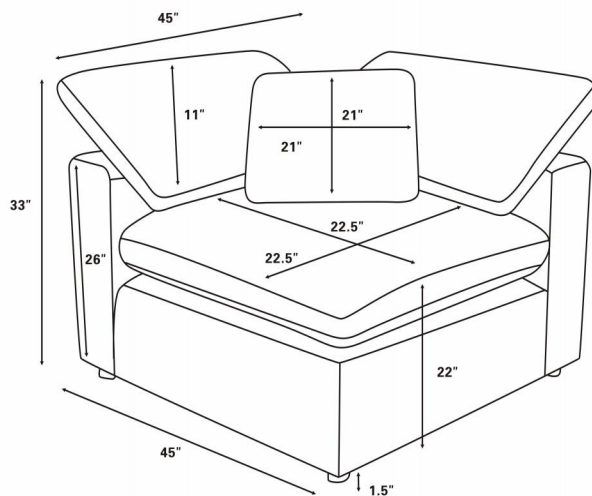
STEP 6 Put the armless chair and corner and ottoman closer



STEP 7 Insert the metal clips to connect other units as pictures show



ASSEMBLY INSTRUCTIONS



Note : Dimension tolerance $\pm 5\%$

