

# CAMBRIDGE 54" SINGLE SINK BASE CABINET



## BASE CABINET DIMENSIONS

54" W x 21.5" D x 34.5" H

## FEATURES

- Solid wood frame & plywood panels
- Dovetail drawers and joints
- Soft closing doors & drawers

## HARDWARE FINISHES



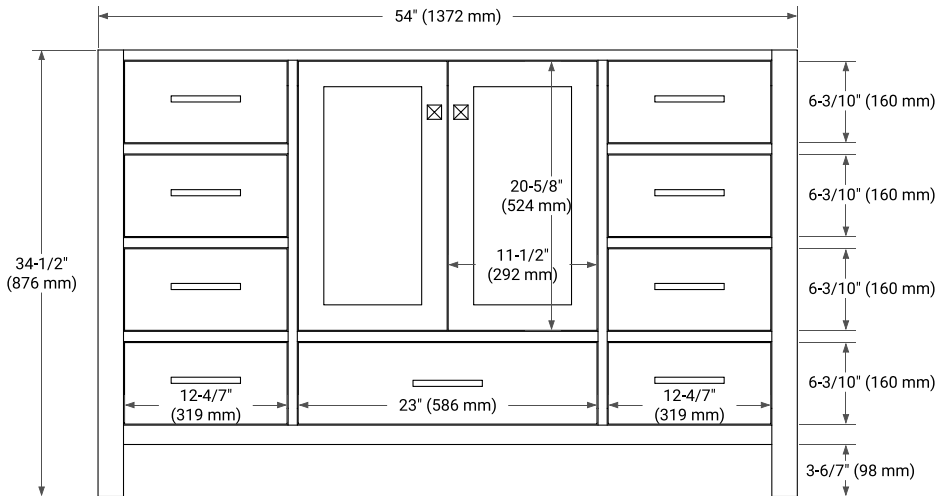
Brushed Nickel   Satin Brass   Matte Black   Polished Chrome

## AVAILABLE COLORS

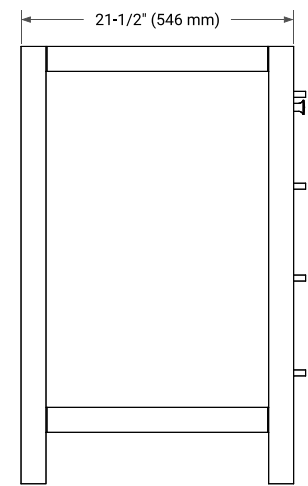


White   Grey   Midnight Blue   Espresso   White Oak

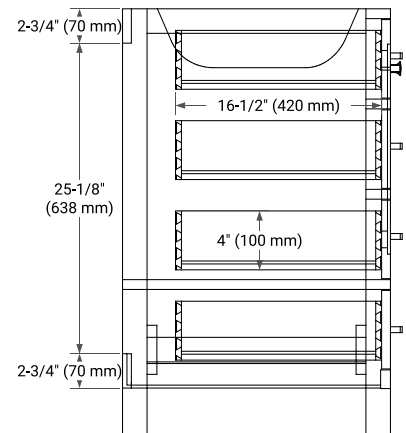
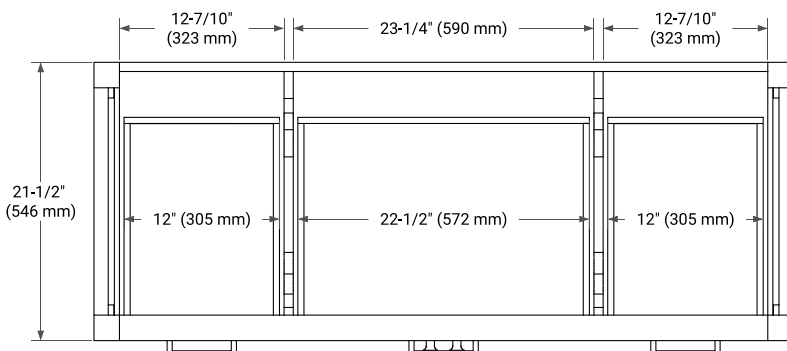
### FRONT VIEW



### SIDE VIEW



### PLAN VIEW



# 55" SINGLE RECTANGLE SINK COUNTERTOP WITH 1.5 IN. THICKNESS

# ARIEL

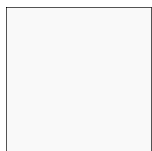
## OVERALL DIMENSIONS

55" W x 22" D x 1.5" H

## COUNTERTOP OPTIONS



Carrara Marble



White Quartz

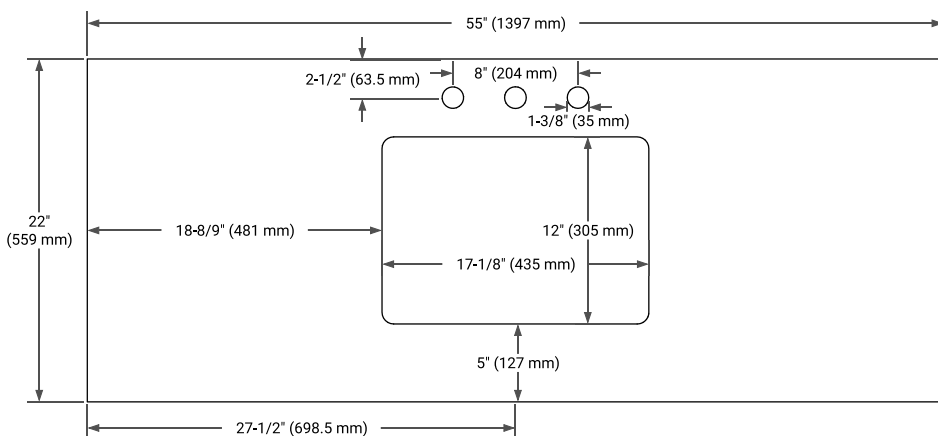
## FEATURES

- Solid countertop with mitered edges & seams
- Undermount white rectangular sink
- Pre-drilled for 8" widespread faucet

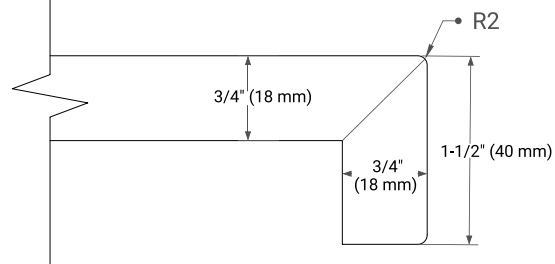
## INCLUDED

- Countertop
- Matching Backsplash
- Rectangle Sink

## COUNTERTOP PLAN VIEW



## EDGE SIDE VIEW



## THREE DIMENSIONAL COUNTERTOP VIEW

