

DESK

ASSEMBLY INSTRUCTION



ASSEMBLY INSTRUCTION

ASSEMBLY TIPS:

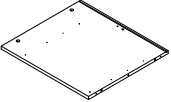
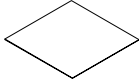
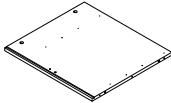
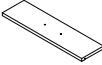
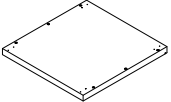

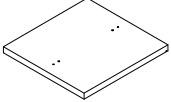

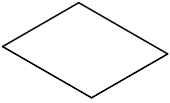

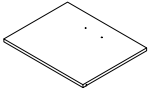

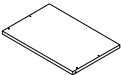
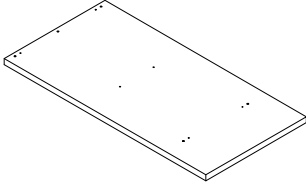
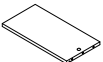
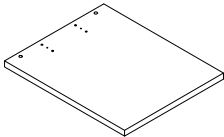
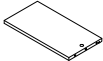
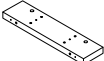
- 1.Remove hardware from box and sort by size.
- 2.Please check to see that all hardware and parts are present prior to start of assembly.
- 3.Please follow attached instructions in the same sequence as numbered to assure fast & easy assembly.



Warning!

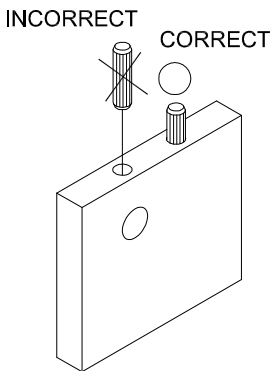
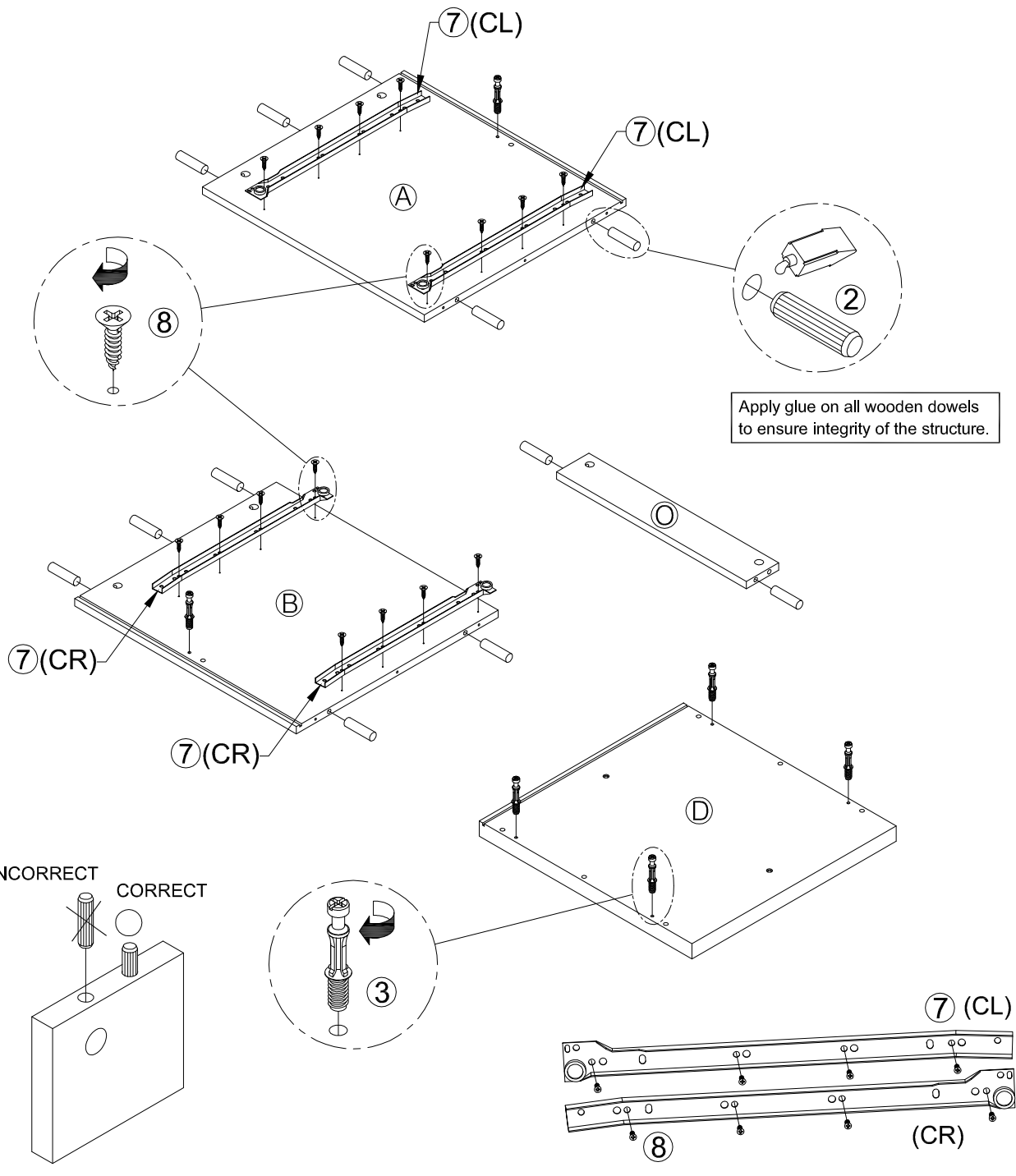
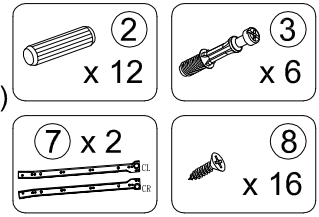
- 1.Don't attempt to repair or modify parts that are broken or defective.Please contact the store immediately.
- 2.This product is for home use only and not intended for commercial establishment.

PARTS IDENTIFICATION:

(A) LEFT SIDE PANEL		1PC	(J) DRAWER BOTTOM PANEL		2PCS
(B) RIGHT SIDE PANEL		1PC	(K) SMALL DRAWER FRONT PANEL		1PC
(C) BOTTOM PANEL		1PC	(L) SMALL DRAWER BACK PANEL		1PC
(D) SMALL TOP PANEL		1PC	(M) SMALL LEFT DRAWER SIDE PANEL		1PC
(E) BACK PANEL		1PC	(N) SMALL RIGHT DRAWER SIDE PANEL		1PC
(F) LARGE DRAWER FRONT PANEL		1PC	(O) SMALL CROSS BRACE		1PC
(G) LARGE DRAWER BACK PANEL		1PC	(P) LARGE TOP PANEL		1PC
(H) LARGE LEFT DRAWER SIDE PANEL		1PC	(Q) SIDE PANEL		1PC
(I) LARGE RIGHT DRAWER SIDE PANEL		1PC	(R) DIVIDER PANEL		1PC

ASSEMBLY INSTRUCTION

STEP 1 : Insert Wooden dowels (2) into the holes on the two sides of Left side panel (A) & Right side panel (B) & Small cross brace (O). Insert and screw Cam bolts (3) into the holes on the Left side panel (A) & Right side panel (B) & Small top panel (D). Use Screws (8) to assemble the (7-CL) on the Left Side panel (A) and Rail (7-CR) on Right side panel (B).

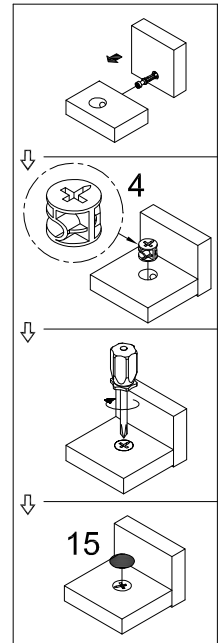
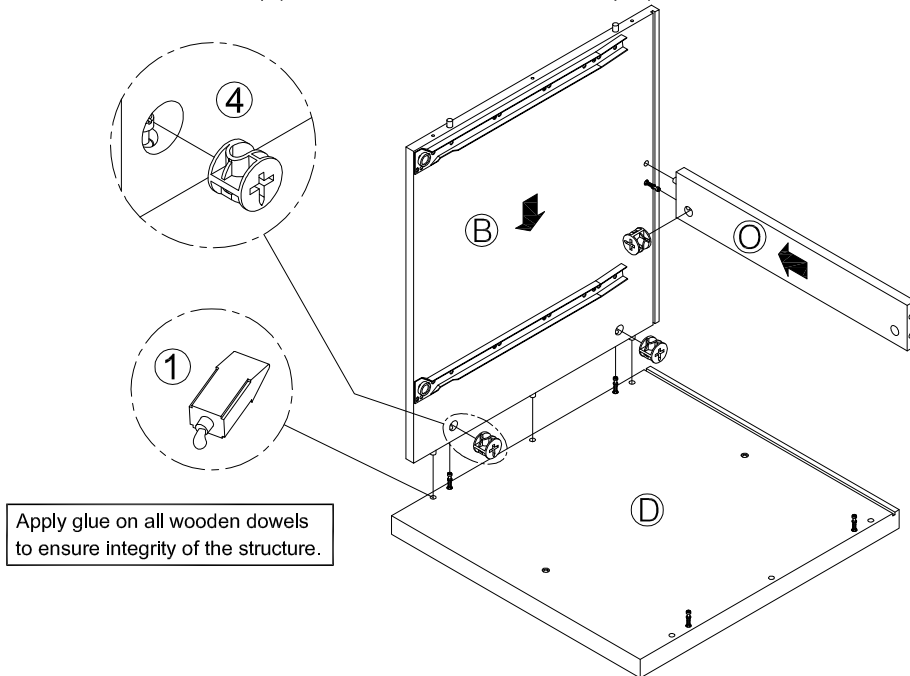
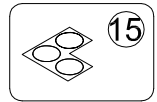
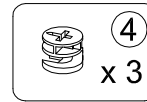


ASSEMBLY INSTRUCTION

STEP 2 : Connect Small cross brace (O) & Small top panel (D) with Right side panel (B).

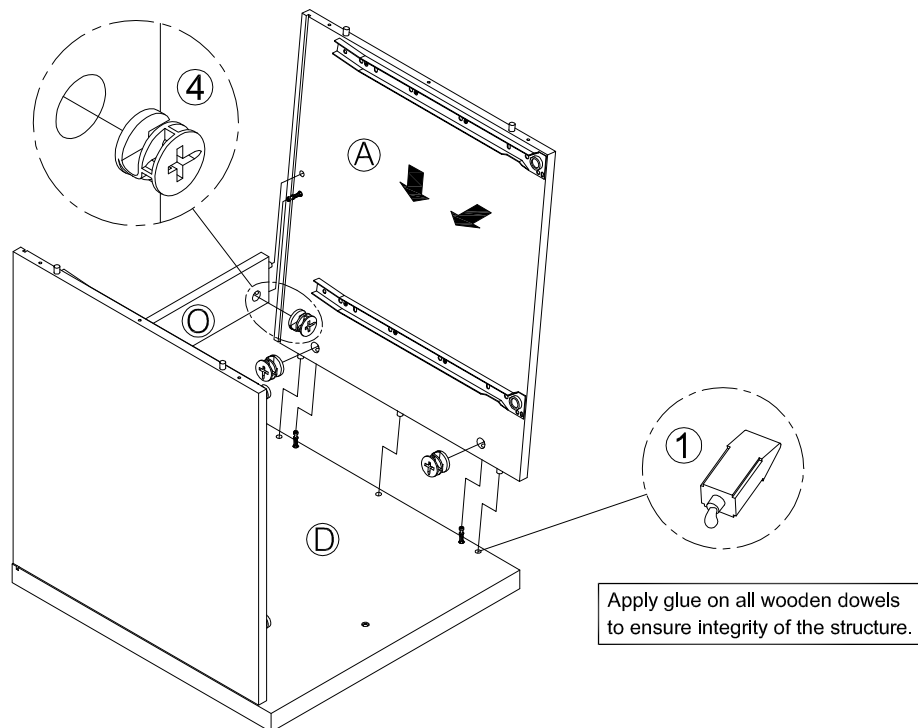
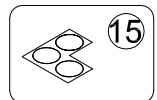
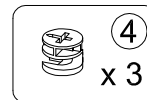
When Cam Bolts (3) is attached, insert Cam Locks (4) and tightly fasten by turning clockwise.

Cover Cam locks (4) with wood colored stickers (15).



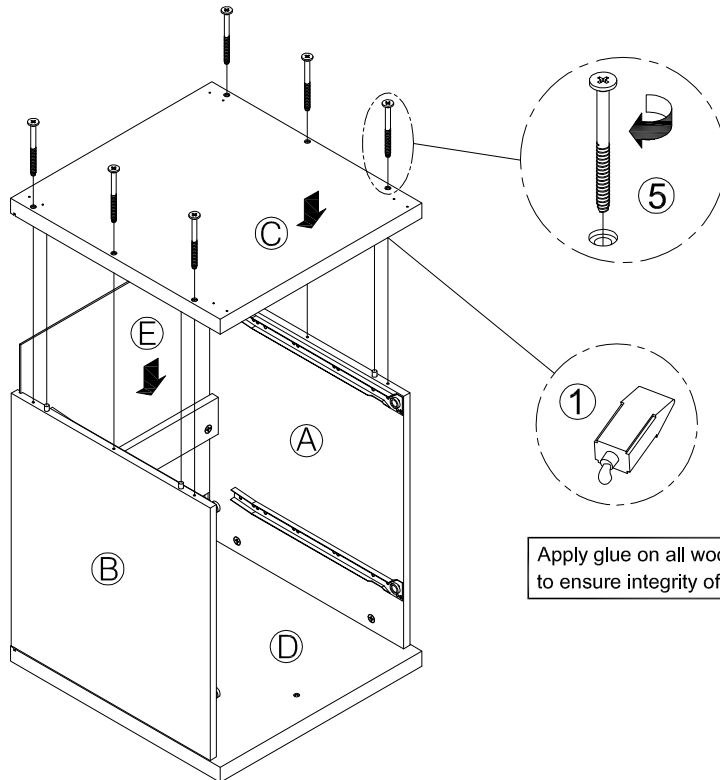
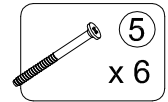
STEP 3 : Apply the same technique to connect Small cross brace (O) & Left side panel (A) with Small top panel (D).

Cover Cam locks (4) with wood colored stickers (15).

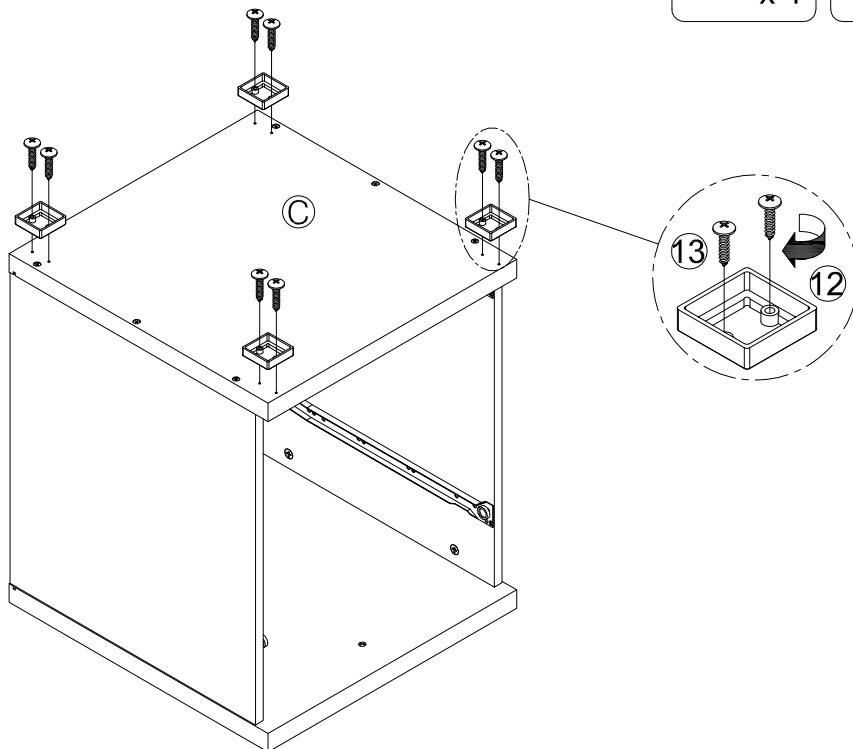


ASSEMBLY INSTRUCTION

STEP 4 : Insert Back panel (E) between Left side panel (A) & Right side panel (B) along slots.
Attach Bottom panel (C) on (A) & (B) with Bolts (5).

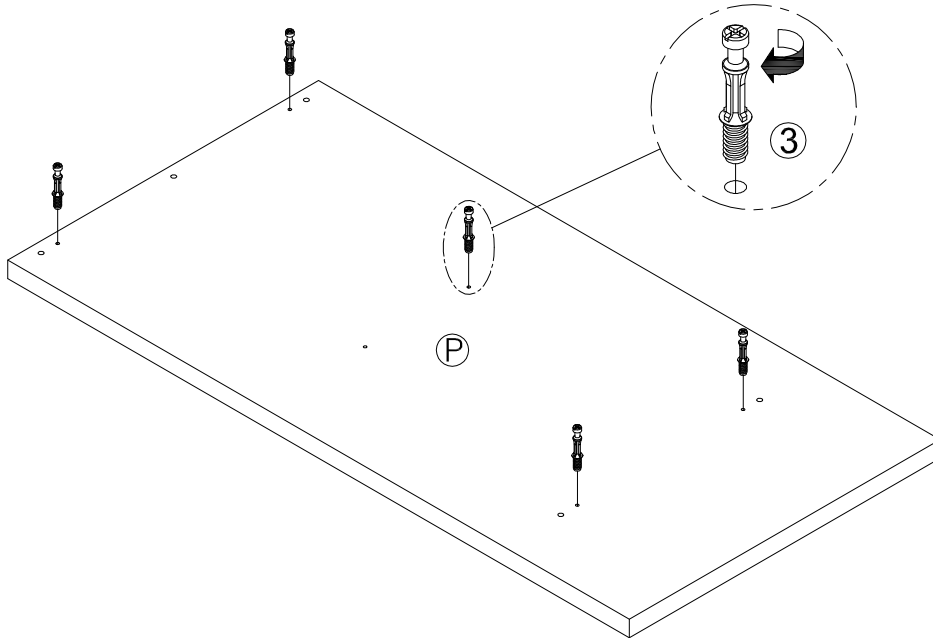
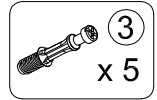


STEP 5 : Fasten Feet (12) on Bottom panel (C) with Screws (13).

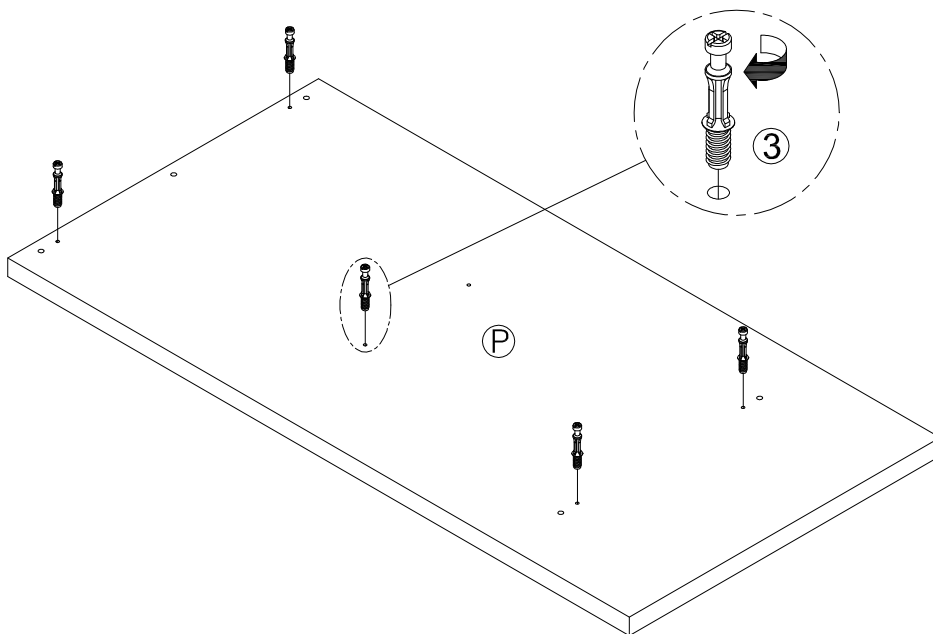


ASSEMBLY INSTRUCTION

STEP 6 : Insert and screw Cam bolts (3) into the holes on the Large top panel (P).
(LEFT)



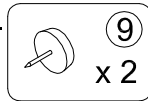
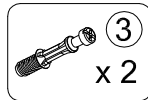
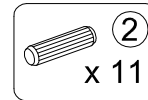
STEP 6 : Insert and screw Cam bolts (3) into the holes on the Large top panel (P).
(RIGHT)



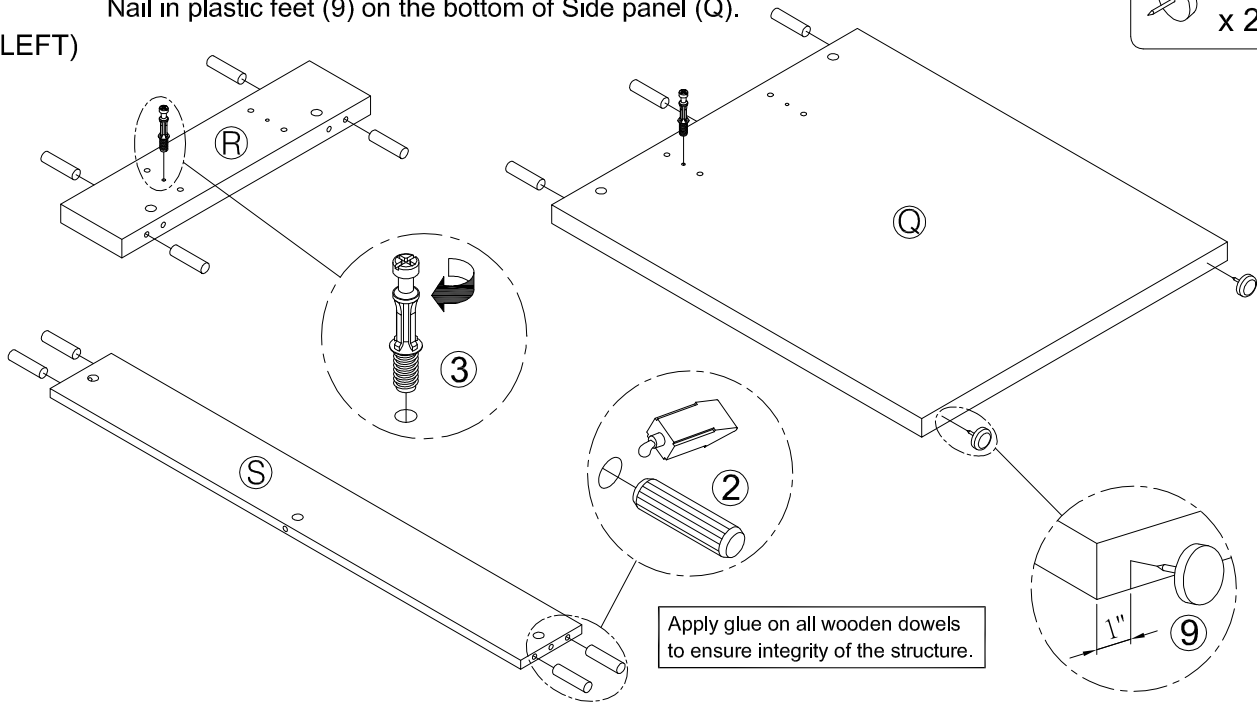
ASSEMBLY INSTRUCTION

STEP 7 : Insert Wooden dowels (2) into the holes on the one sides of Side panel (Q) and two side of Divider panel (R) & Large cross brace (S).

Insert and screw Cam bolts (3) into the holes on the Side panel (Q) & Divider panel (R).
Nail in plastic feet (9) on the bottom of Side panel (Q).



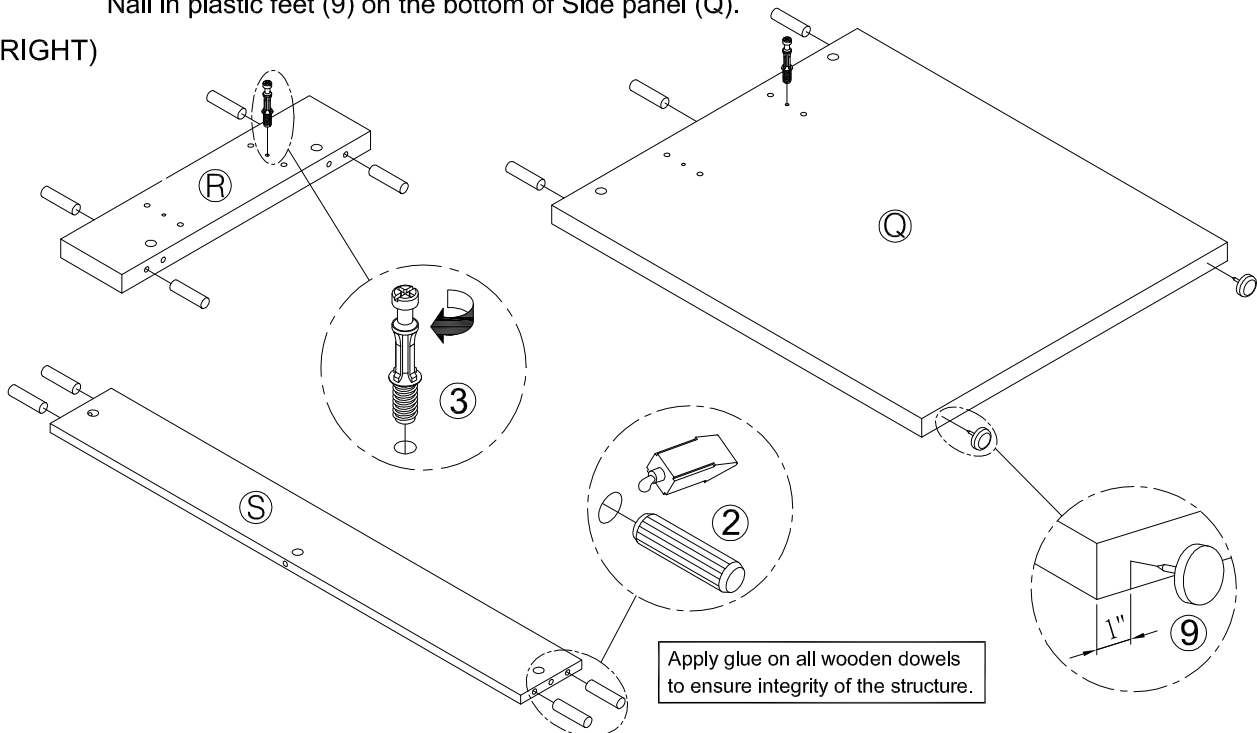
(LEFT)



STEP 7 : Insert Wooden dowels (2) into the holes on the one sides of Side panel (Q) and two side of Divider panel (R) & Large cross brace (S).

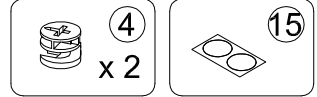
Insert and screw Cam bolts (3) into the holes on the Side panel (Q) & Divider panel (R).
Nail in plastic feet (9) on the bottom of Side panel (Q).

(RIGHT)



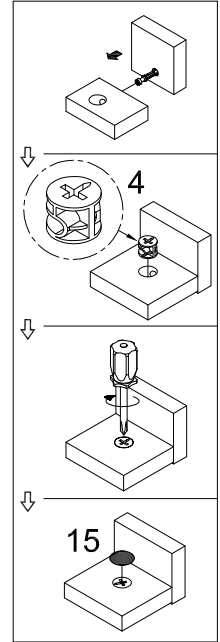
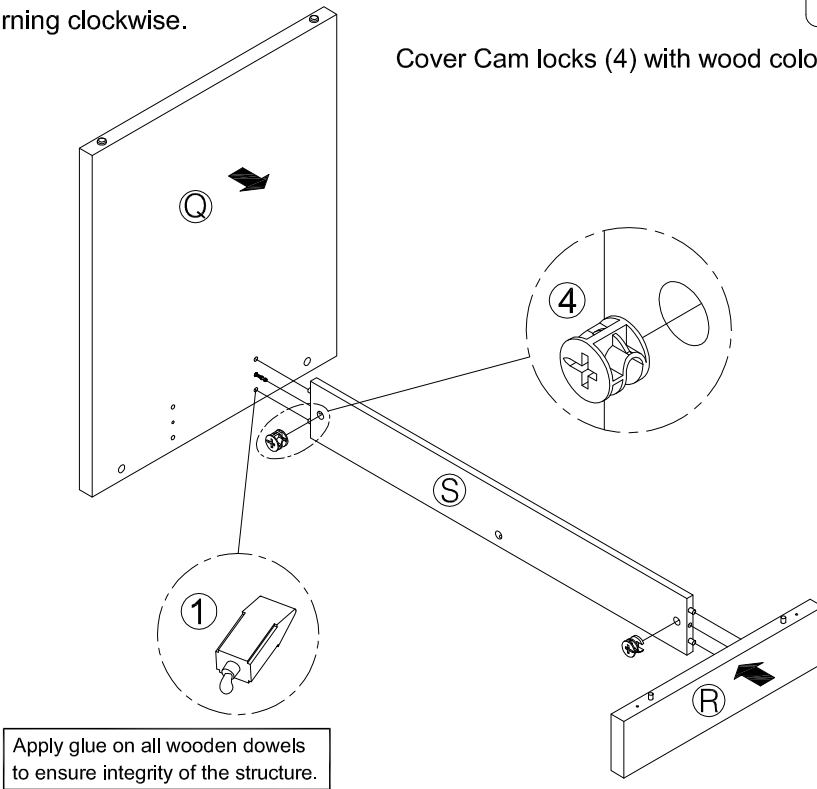
ASSEMBLY INSTRUCTION

STEP 8 : Connect Side panel (Q) & Divider panel (R) with Large cross brace (S).
When Cam bolts (3) is attached, insert Cam Locks (4) and tightly fasten by turning clockwise.



(LEFT)

Cover Cam locks (4) with wood colored stickers (15).

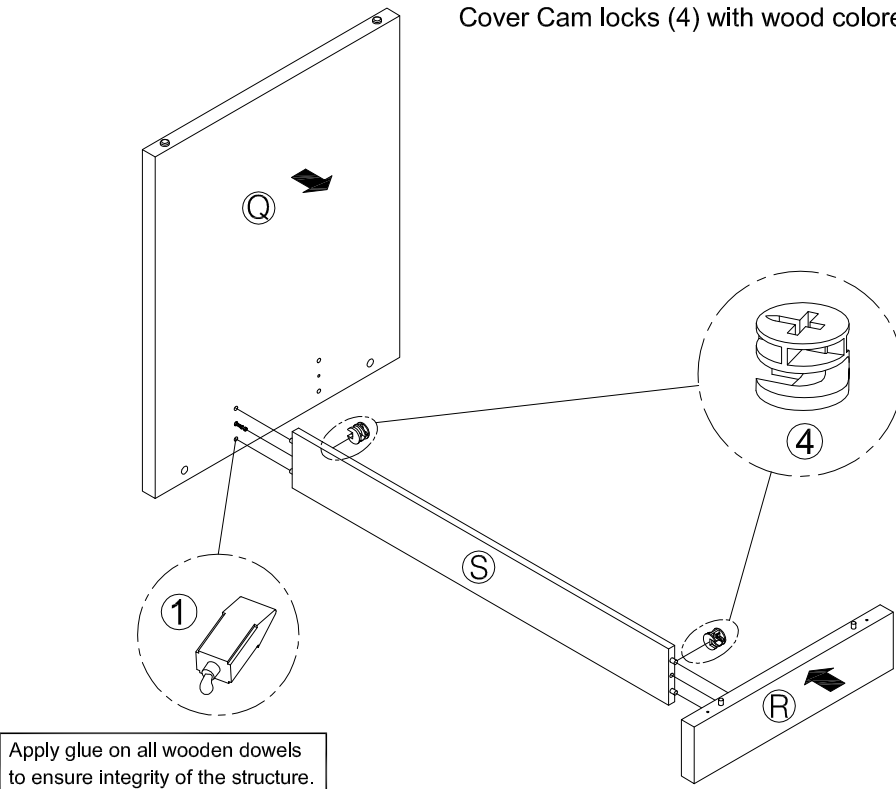


STEP 8 : Connect Side panel (Q) & Divider panel (R) with Large cross brace (S).

When Cam bolts (3) is attached, insert Cam Locks (4) and tightly fasten by turning clockwise.

(RIGHT)

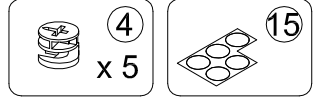
Cover Cam locks (4) with wood colored stickers (15).



ASSEMBLY INSTRUCTION

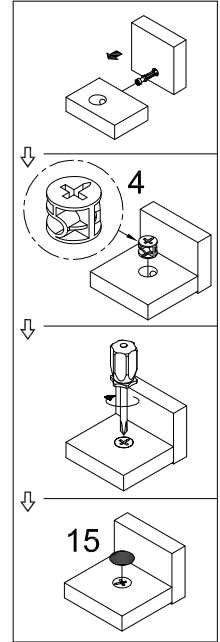
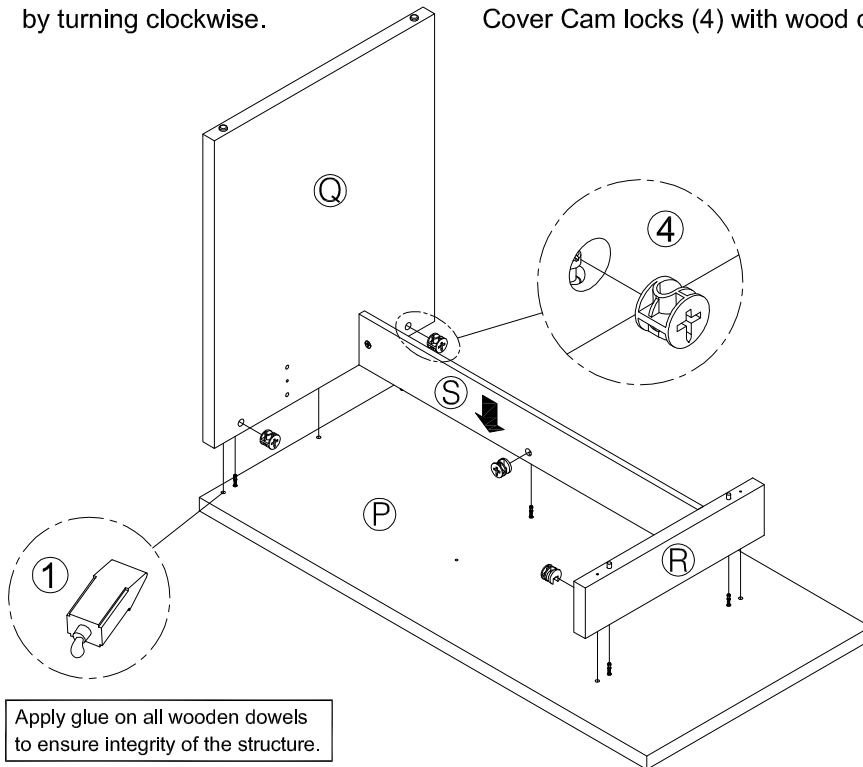
STEP 9 : Connect Side panel (Q) & Divider panel(R) & Large cross brace (S) with Large top panel (P).

When Cam bolts (4) is attached, insert Cam Locks (4) and tightly fasten by turning clockwise.



Cover Cam locks (4) with wood colored stickers (15).

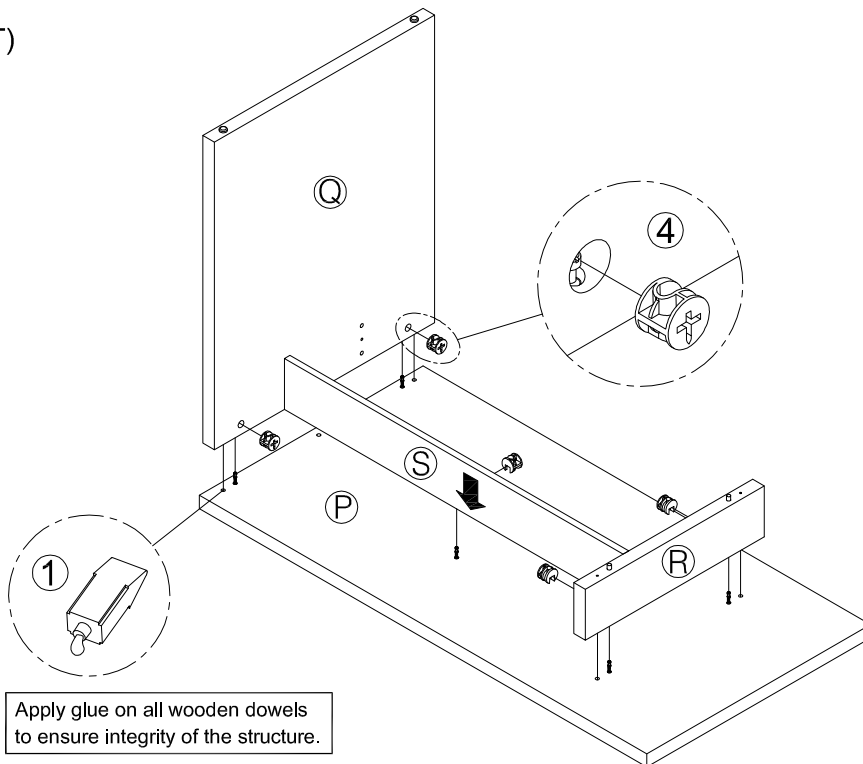
(LEFT)



STEP 9 : Connect Side panel (Q) & Divider panel(R) & Large cross brace (S) with Large top panel (P).

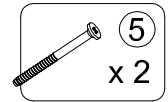
When Cam bolts (4) is attached, insert Cam Locks (4) and tightly fasten by turning clockwise.
Cover Cam locks (4) with wood colored stickers (15).

(RIGHT)

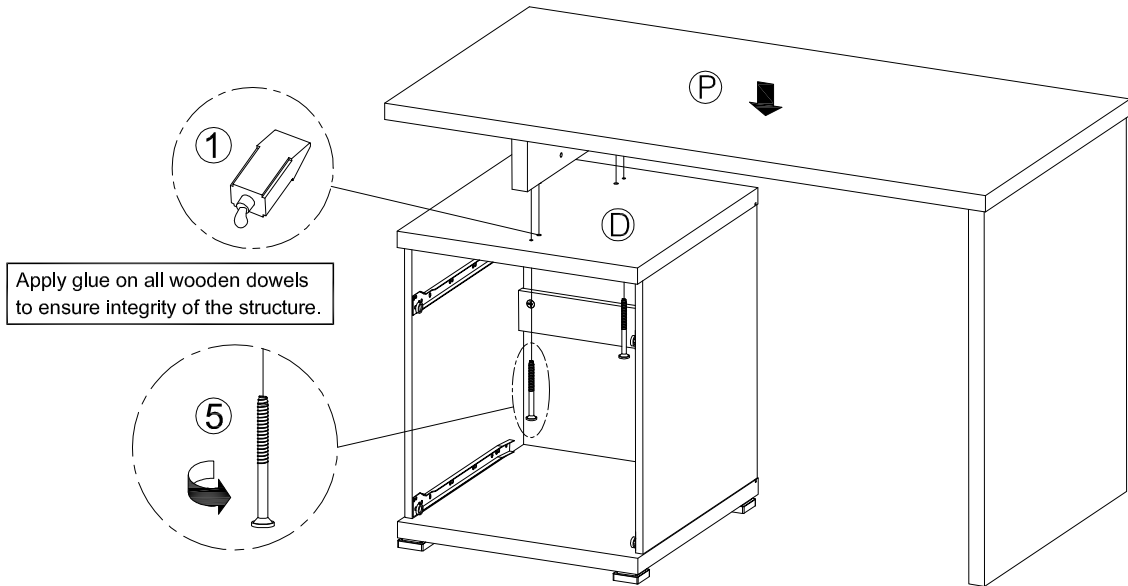


ASSEMBLY INSTRUCTION

STEP 10 : Connect Divider panel(R) with Small top panel (D) onto assembled piece
(from Step 09) with Bolts (5).

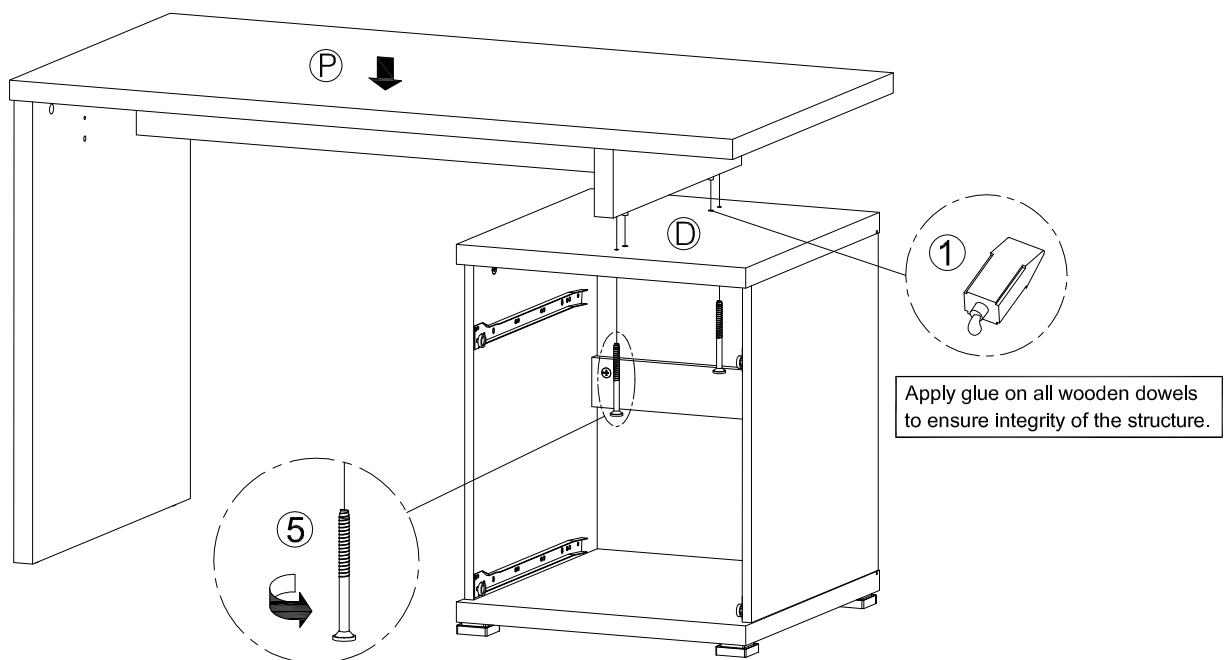


(LEFT)



STEP 10 : Connect Divider panel(R) with Small top panel (D) onto assembled piece
(from Step 09) with Bolts (5).

(RIGHT)



ASSEMBLY INSTRUCTION

STEP 11 : Insert Wooden dowels (2) into the holes on the one sides of Large left drawer side panel (H) & Large right drawer side panel (I).

Insert and screws (3) into the holes on the Large drawer front panel (F).

Insert Wooden dowels (2) into the holes at side of (H) / (I).

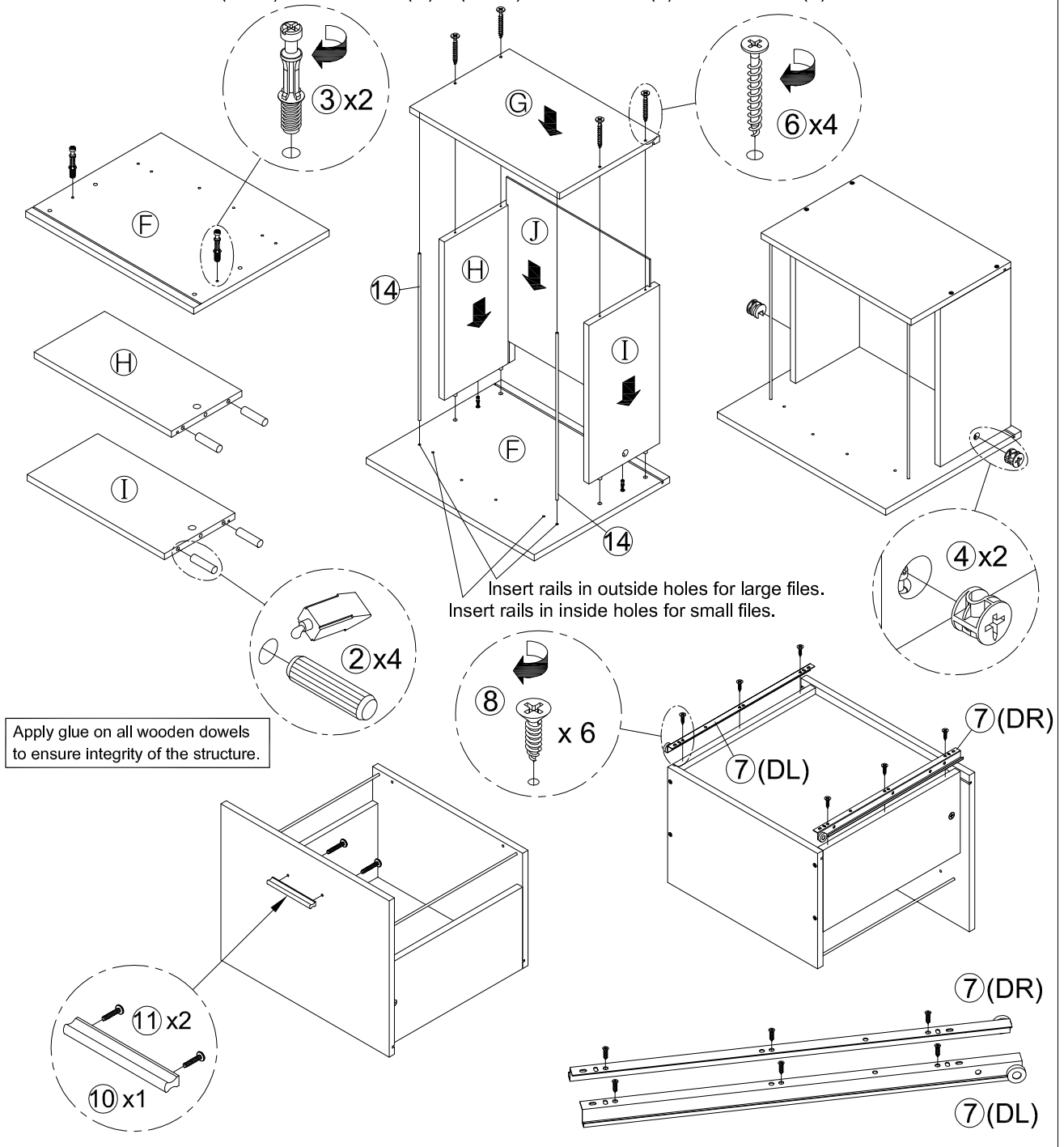
Connect Large left/right drawer side panel (H) / (I) and Iron bar (14) with Large drawer front panel (F) Insert Drawer bottom panel (J) .

Between (H) / (I) along slots and then Large drawer back panel (G) with Screws (6).

Insert Cam locks (4) into the holes on the (H) / (I) and fasten by turning clockwise.

Fasten Handle (10) on the Large drawer front panel (F) with Handle bolts (11).

Attach Rail (7-DL) at bottom of (H) · (7-DR) at bottom of (I) with Screws (8).



ASSEMBLY INSTRUCTION

STEP 12 : Insert Wooden dowels (2) into the holes on the one sides of small left drawer side panel (M) & small right drawer side panel (N).

Insert and screws (3) into the holes on the small drawer front panel (K).

Insert Wooden dowels (2) into the holes at side of (M) / (N).

Connect Small left/right drawer side panel (M) / (N) with small drawer front panel (K)

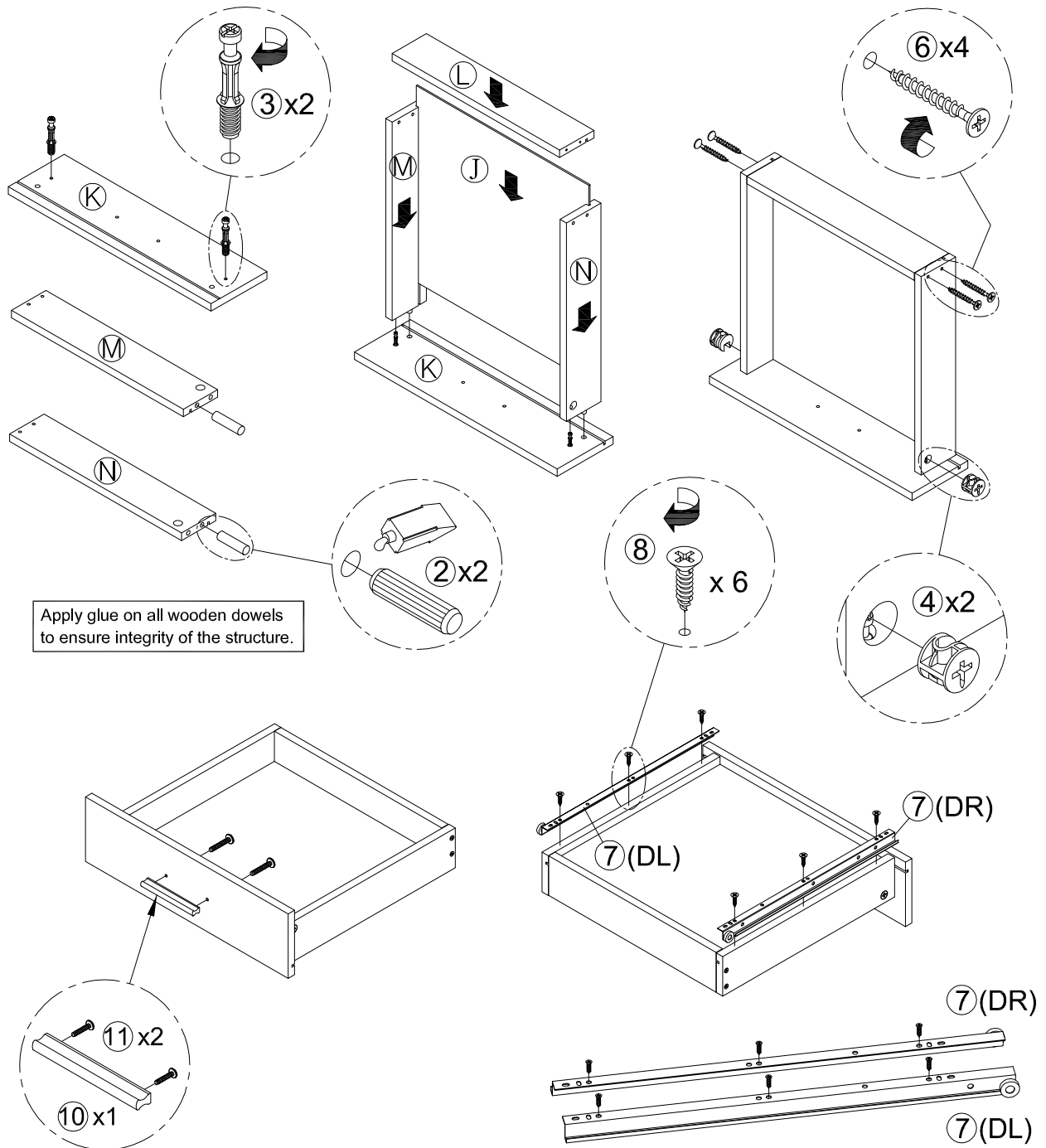
Insert Drawer bottom panel (J).

Between (M) / (N) along slots and then small drawer back panel (L) with Screws (6).

Insert Cam locks (4) into the holes on the (M) / (N) and fasten by turning clockwise.

Fasten Handle (10) on the small drawer front panel (K) with Handle bolts (11).

Attach Rail (7-DL) at bottom of (M) · (7-DR) at bottom of (N) with Screws (8).

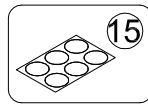
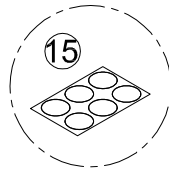
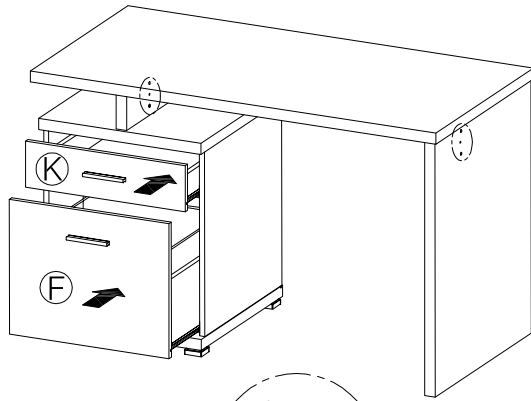


ASSEMBLY INSTRUCTION

STEP 13 : Cover the holes with wood colored stickers (15).

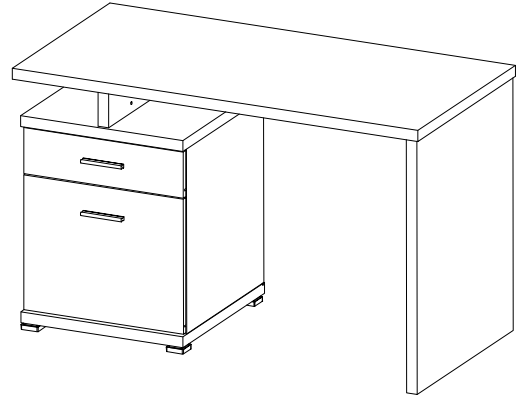
Place drawers into the desk.

(LEFT)



FINISH

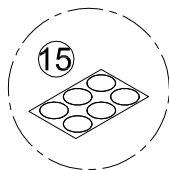
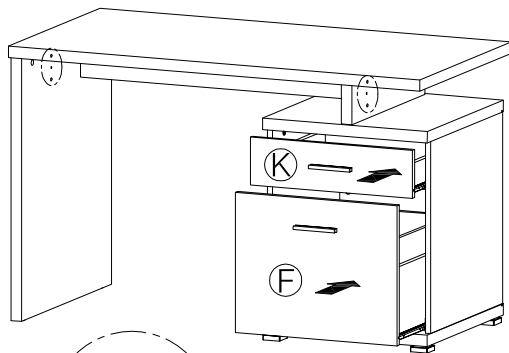
(LEFT)



STEP 13 : Cover the holes with wood colored stickers (15).

Place drawers into the desk.

(RIGHT)



FINISH

(RIGHT)

