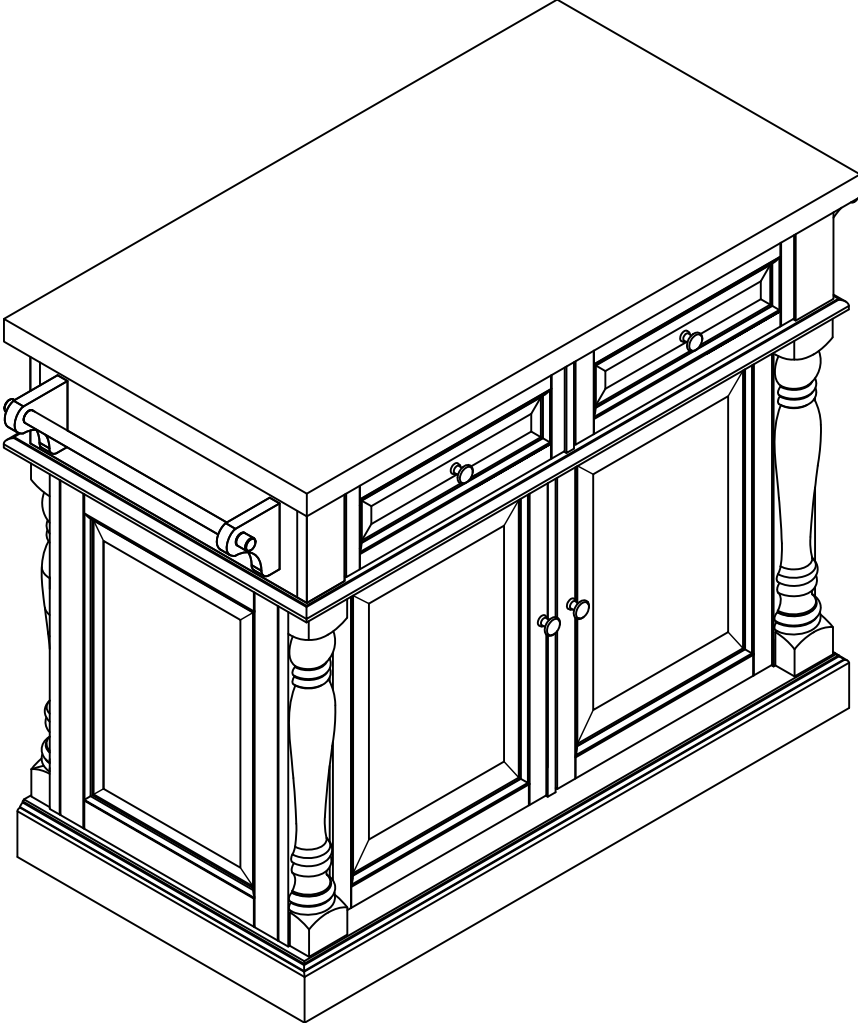


KITCHEN ISLAND WITH BUTCHER BLOCK TOP

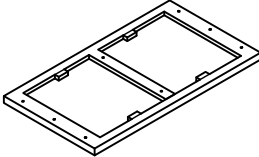
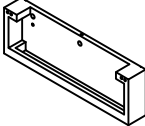
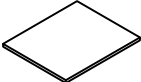
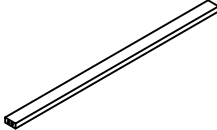
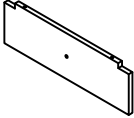

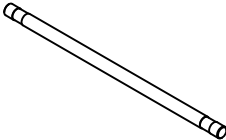
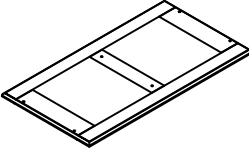
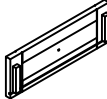

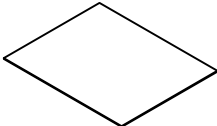
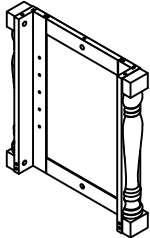
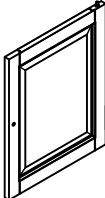
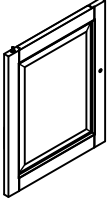
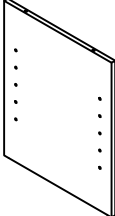
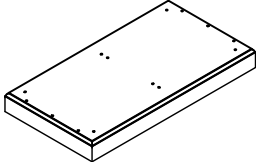


Congratulations! You have purchased a stylish piece of us, We strive to provide fine furniture products, built with quality materials and hand finished details. Please carefully follow the assembly instructions to ensure your furniture is assembled correctly to provide long lasting enjoyment.

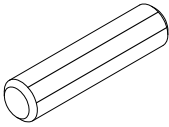
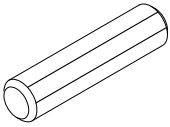
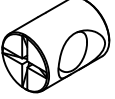
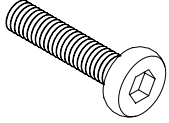

Should you experience any missing or damaged parts, **do not return to the store**, Please visit our website or contact us directly .

Care: Use a soft clean cloth that will not scratch the surface when dusting. Use of furniture polish is not necessary. Should you choose to use polishes, test in an inconspicuous area first. Use of solvents of any kind may damage your furniture's finish. To clean, simply use a soft clean cloth moistened with lukewarm water, then buff with a dry soft clean cloth.

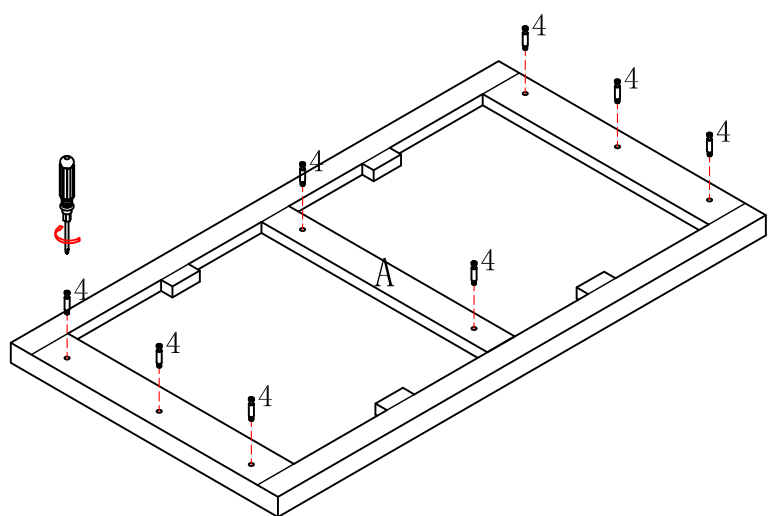
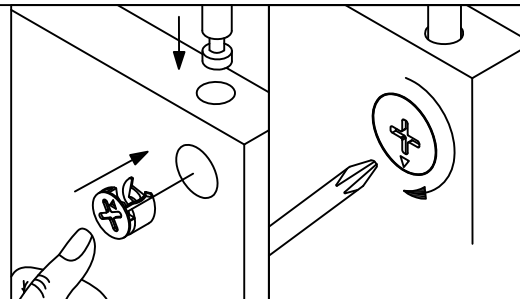
# PART LIST

<p><b>A</b></p> 	<p><b>B</b></p> 	<p><b>C</b></p> 	<p><b>D</b></p> 	<p><b>E</b></p> 
<p>Top 1 PCS</p>	<p>Upper Side Frame 2 PCS</p>	<p>Adjustable Shelf 2 PCS</p>	<p>Top Rail 2 PCS</p>	<p>Upper Partition Panel 1PC</p>
<p><b>F</b></p> 	<p><b>G</b></p> 	<p><b>H</b></p> 	<p><b>I</b></p> 	<p><b>J</b></p> 
<p>Tower Bar Panel 4 PCS</p>	<p>Towel Bar 2 PCS</p>	<p>Middle Shelf Frame 1 PC</p>	<p>Drawer Front Panel 4 PCS</p>	<p>Drawer Side Panel 4 PCS</p>
<p><b>K</b></p> 	<p><b>L</b></p> 	<p><b>M</b></p> 	<p><b>N</b></p> 	<p><b>O</b></p> 
<p>Drawer Bottom Panel 2 PCS</p>	<p>Lower Side Frame 2 PCS</p>	<p>Left Door 2 PCS</p>	<p>Right Door 2 PCS</p>	<p>Lower Partition Panel 1 PC</p>
<p><b>Q</b></p>  <p>Base 1 PC</p>				

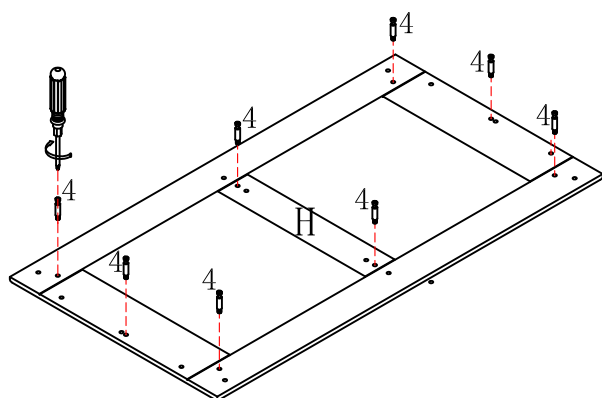
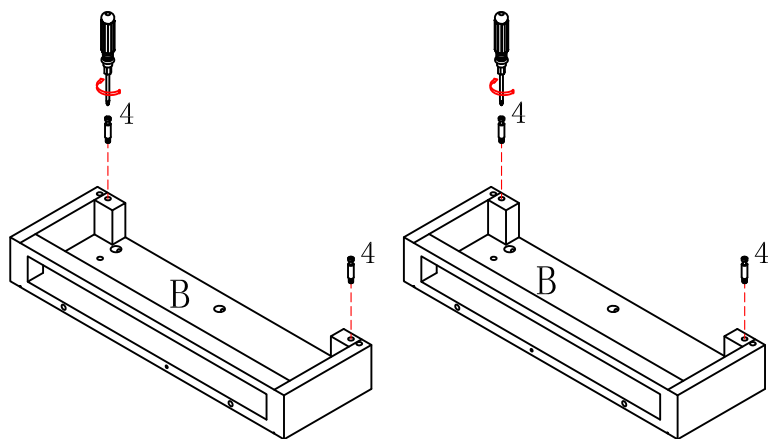
# HARDWARE LIST

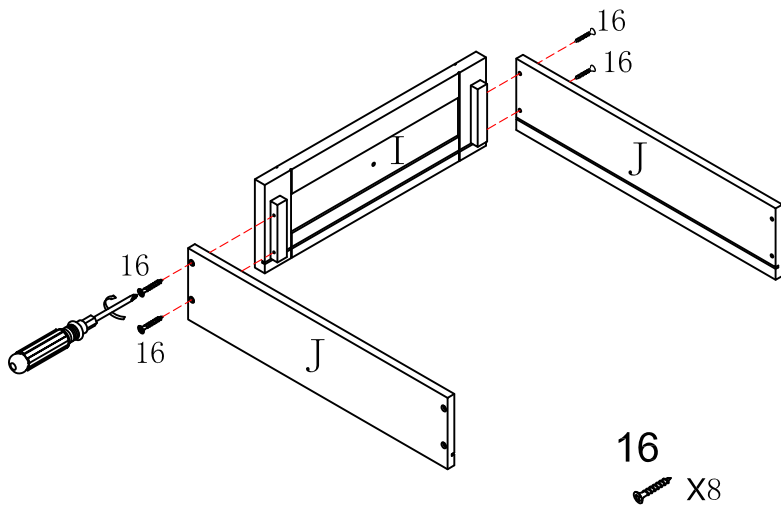
1  ø8*30mm	2  ø8*50mm	3  ø10*60mm	4 	5 
Short Wood Dowel 16 PCS	Long Wood Dowel 6 PCS	Wood Dowel 1 PC	Cam Bolt 20 PCS	Cam Lock 20 PCS
6 	7 	8  2"*ø1/4"*D11	9  1-1/2"*ø1/4"*D11	10 
Round Head Bolt 8 PCS	Barrel Nut 8 PCS	Long Hex Socket Head Bolt 8 PCS	Short Hex Socket Head Bolt 4 PCS	Knob 8 PCS
11 	12 	13 	14  12*ø3*D6mm	15 
Hex Key 1 PC	Magnet 4 PCS	Shelf Holder 8 PCS	Round Head Screw 8 PCS	Pin Hinge (Spare Part) 8 PCS
16  1"*ø4*D8	17  1-1/4"*ø4*D8	18 		
Short Flat Head Screw 16 PCS	Long Flat Head Screw 14 PCS	Flat Washer 8 PCS		

Tools needed: Allen Key (Part #11 ) (included)  
Phillips Head Screw Driver (Not included)

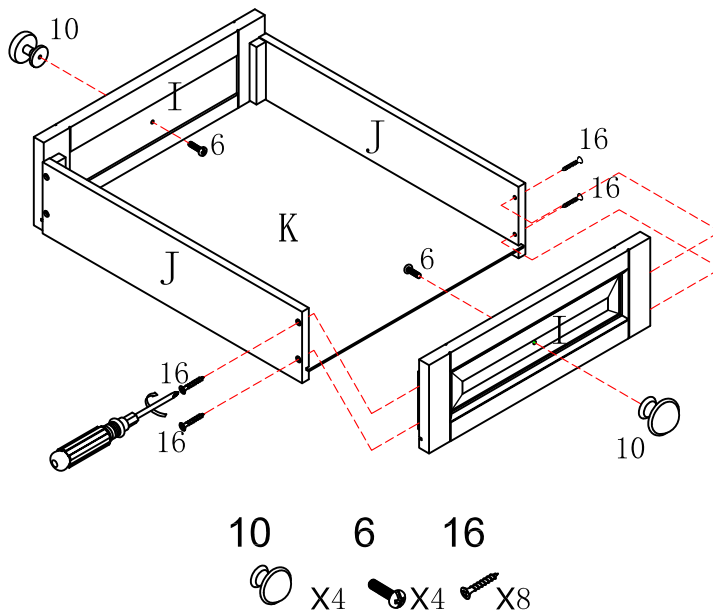
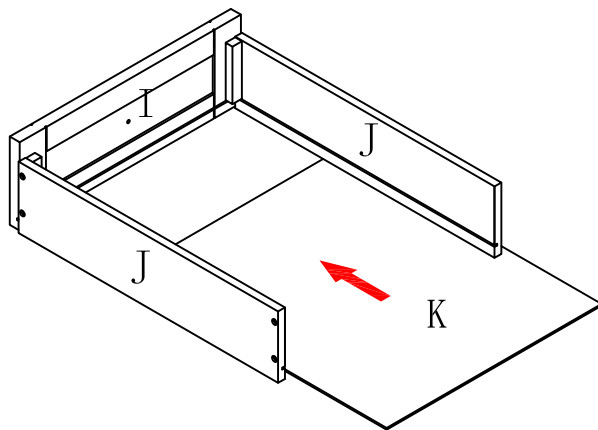


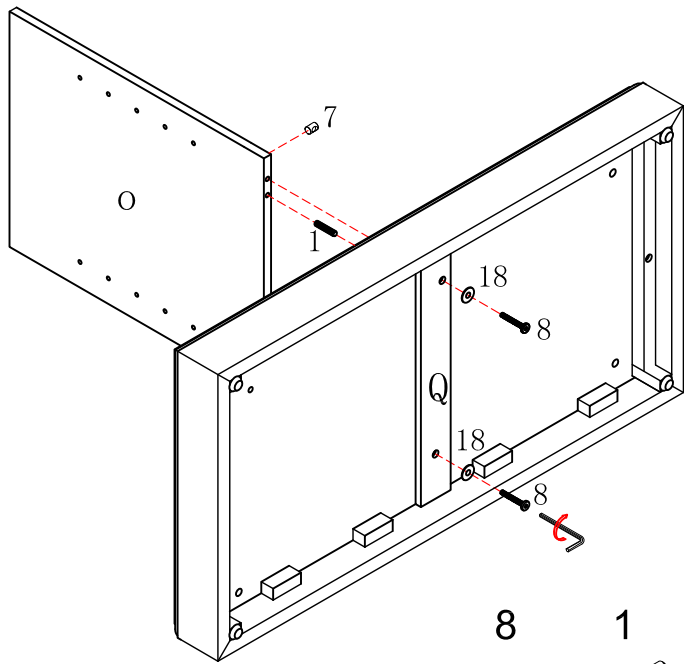
Step 1  
Insert Cam Bolts (Part #4)  
into pre-drilled holes of parts A, B & H  
using Phillips Head Screwdriver  
as shown.  
**DO NOT OVERTIGHTEN.**



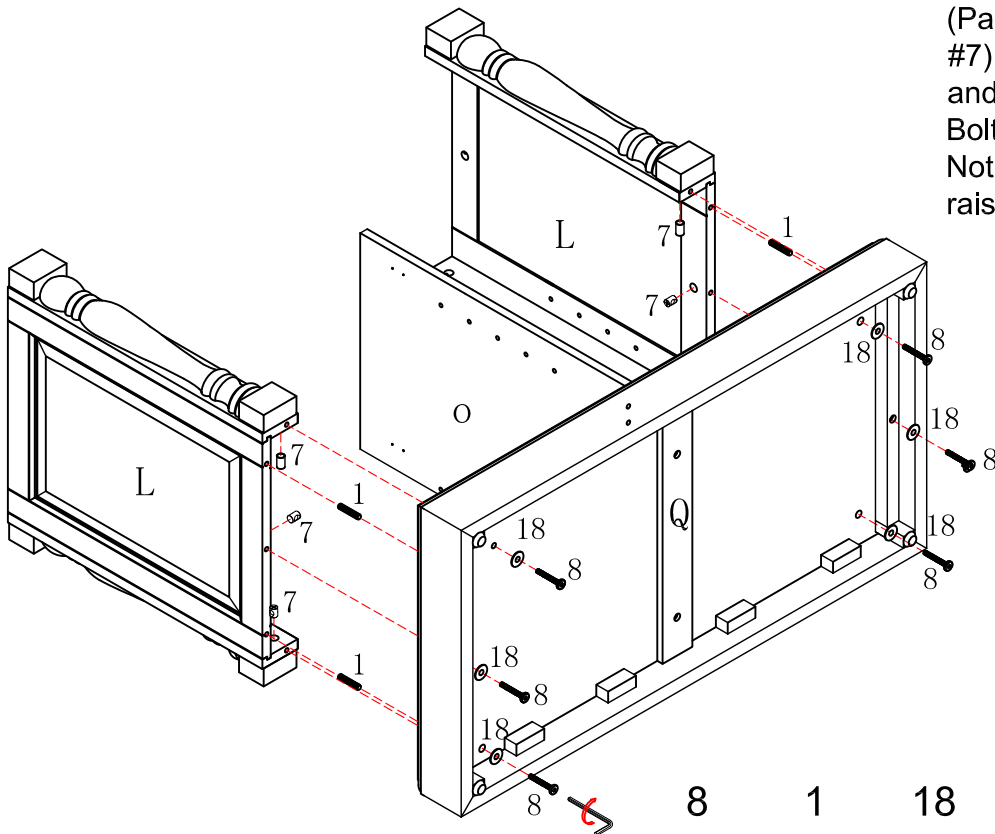
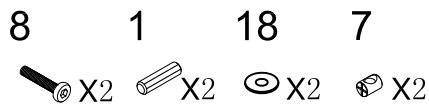


**Step 2**  
 Using Short Flat Head Screws (Part #16), attach the Drawer Side Panels (J) to one of the Drawer Front Panels (I) as show. Insert Drawer Bottom Panel (K) into the grooves of Drawer Sides (J) as shown. Attach the second Drawer Front Panel (I) to Drawer Sides (J) using Short Flat Head Screws (Part #16) as shown. Attach Knobs (Part #4) to Drawer Fronts (I) using Round Head Bolts (Part #6).

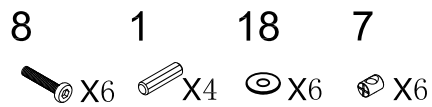


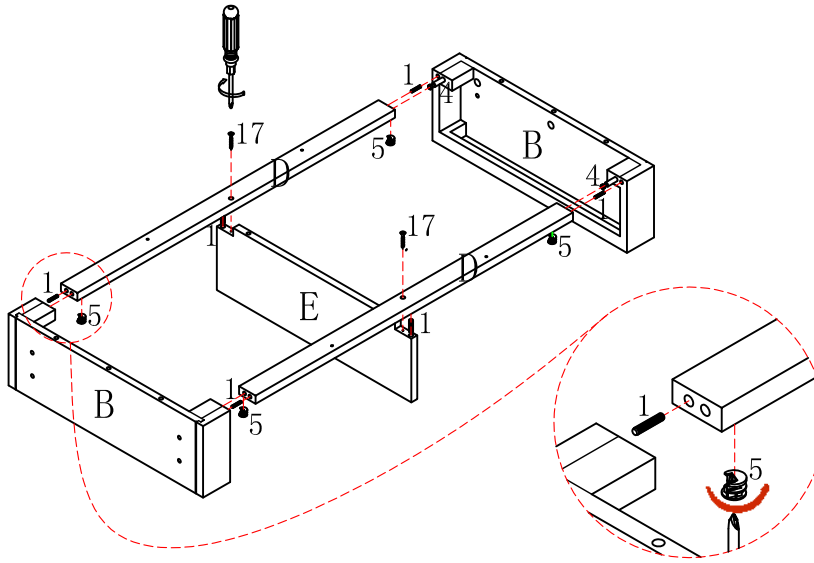
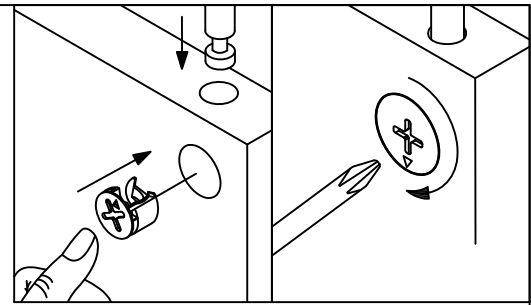


**Step 3**  
 With Base (Q) on its side, attach lower Partition Panel (O) using Short Wood Dowels (Part #1), Barrel Nuts (Part #7), Flat Washes (Part #18), and Long Hex Socket Head Bolts (Part #8) as shown.

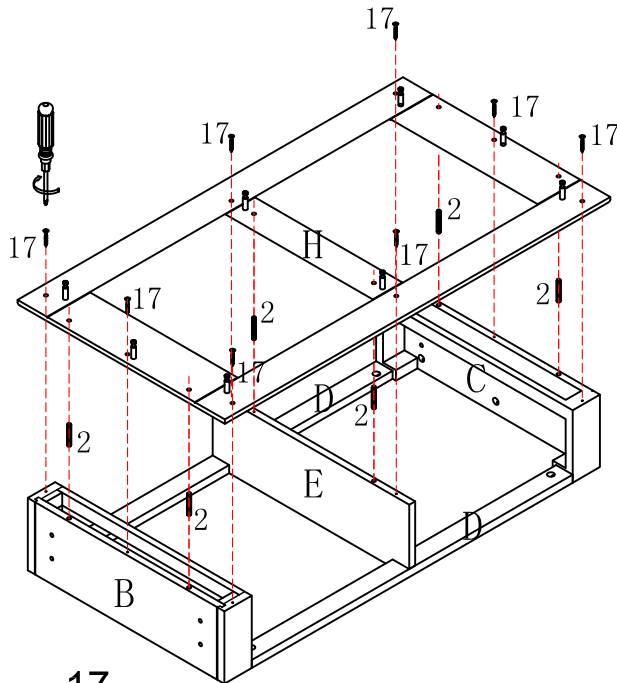
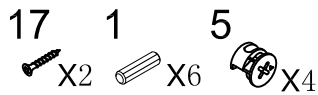


**Step 4**  
 Attach Lower Side Frames (L) using Short Wood Dowels (Part #1), Barrel Nuts (Part #7), Flat Washers (Part #18), and Long Hex Socket Head Bolts (Part #8) as shown. Note - Be sure that the finished raised panels are facing out.



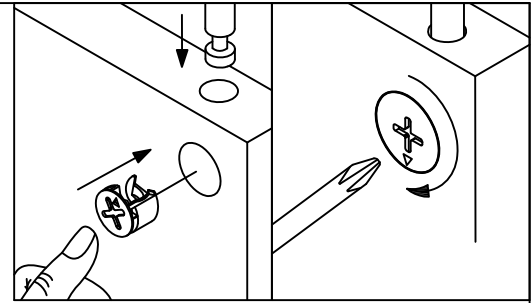
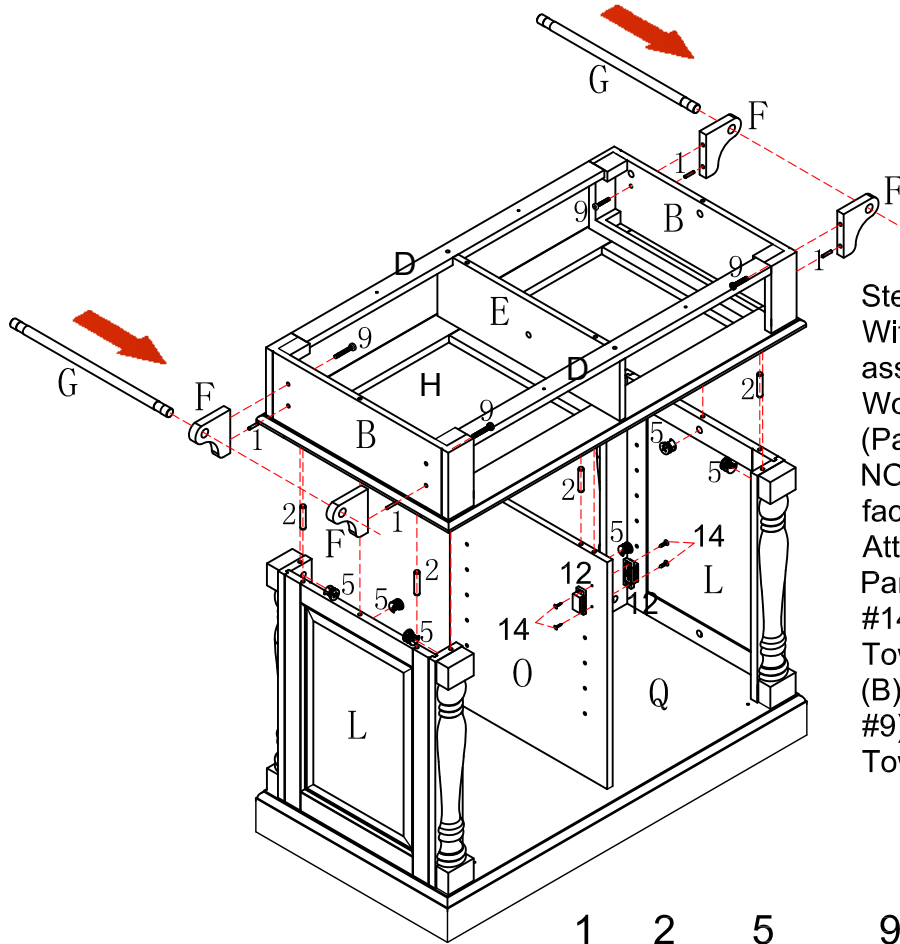


**Step 5**  
 Attach Upper Side Frame (B) to Top Rails (D) using Short Wood Dowels (Part #1), and Cam Locks (Part #5) as shown. Attach Upper Partition Panel (E) to Top Rails (D) using Short Wood Dowels (Part #1), and Long Flat Head Screws (Part #17) as shown.



**Step 6**  
 Turn assembled parts B, D & E over with Top Rails (D) on a flat surface. Attach Middle Shelf Frame (H) using Long Flat Head Screws (Part #17), and Long Wood Dowels (Part #2) as shown.



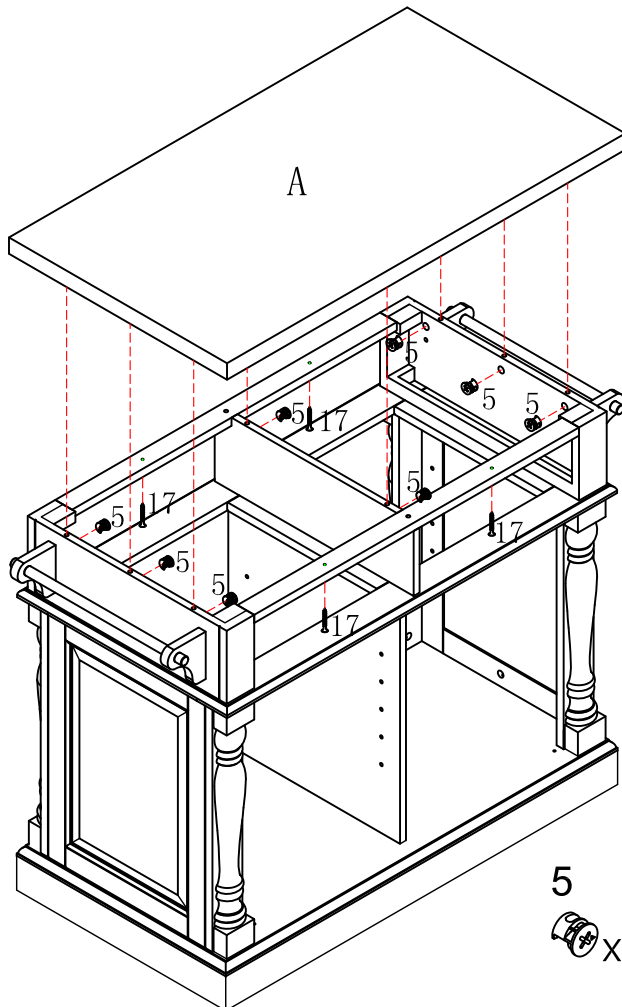


**Step 7**

With Base (Q) on a flat surface, attach assembled parts B, D, E, & H using Long Wood Dowels (Part #2) and Cam Locks (Part #5) as shown.

NOTE: Middle Shelf Frame (H) should be facing down.

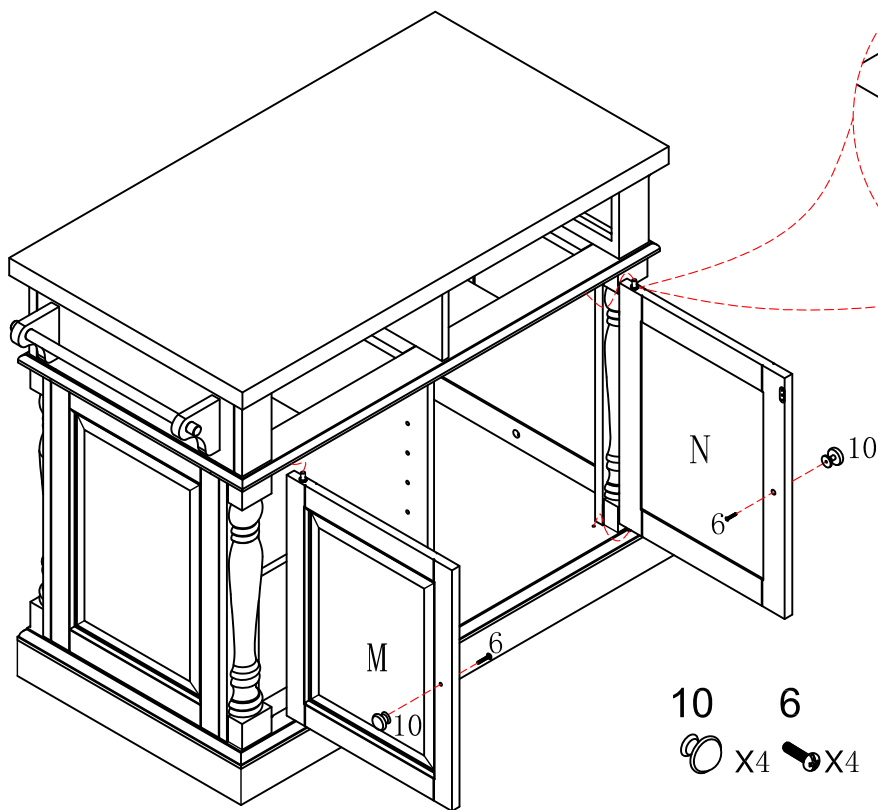
Attach Magnets (Part #12) to Lower Partition Panel (O) using Round Head Screws (Part #14) into pre-drilled holes as shown. Attach Towel Bar Panels (F) to Upper Side Frames (B) using Short Hex Socket Head Bolts (Part #9) as shown. Insert Towel Bars (G) into Towel Bar Panels (F).





**Step 8**

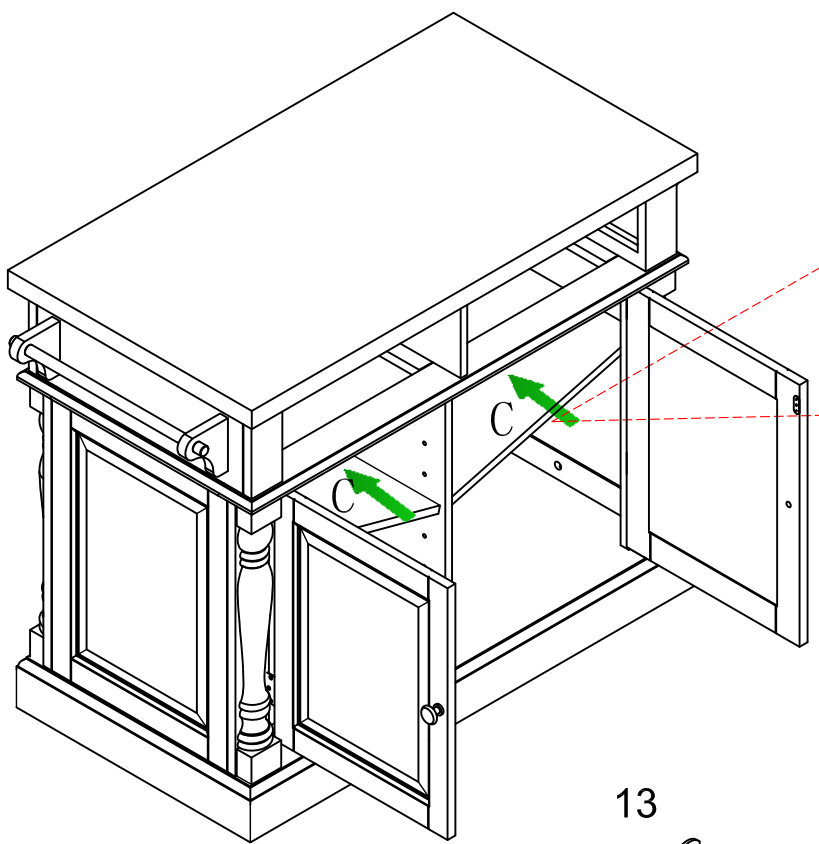
Attach Top (A) to cabinet using Cam Locks (Part #5) & Long Flat Head Screws (Part #17) as shown.






**Step 9**  
 Attach Doors (M&N) to the cabinet by placing bottom pin hinge into the pre-drilled holes at the bottom & depressing the top spring loaded pin hinge to fit the doors into place.  
 NOTE: Be sure that pin hinges have fully extended into the pre-drilled holes to secure the doors into place.

- 10    6
-  X4     X4

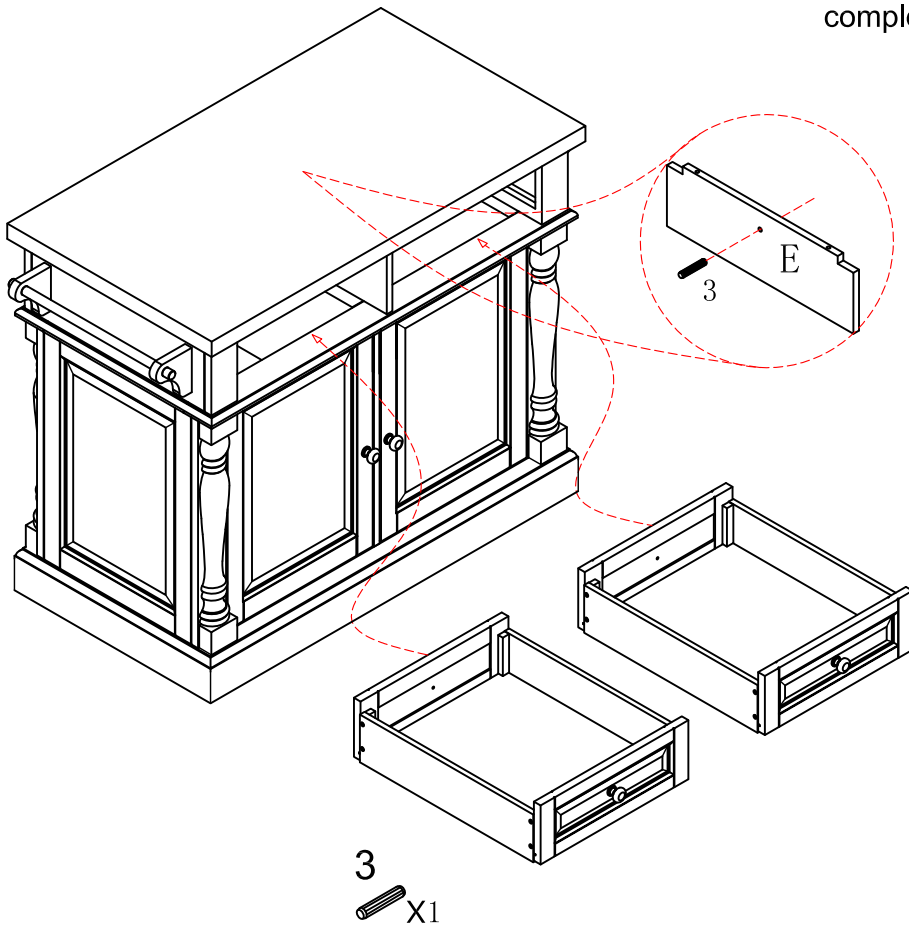


**Step 10**  
 Insert the Shelf Holders (Part #13) at the desired height inside the cabinet. Insert the Adjustable Shelves (C) into the cabinet.

- 13
-  X8

**Step 11**

Insert the assembled drawers into the cabinet. Pull one drawer open enough to reach inside and insert the 60mm Wood Dowel (Part #3) into the pre-drilled hole in the Upper Partition Panel (E). NOTE: Wood Dowel (Part #3) will act as a "stop" to keep the drawers from coming out completely once it is inserted.



**Congratulations! You are finished.**

## Limited Manufacturers Warranty

Our Products are warranted against defects in material and workmanship for a period of 90 days beginning from the date of sale. Should any parts be missing or defective, we will replace or repair the parts for a period of 90 days from the date of purchase.

**Should you experience any missing or damaged parts, do not return to the store.** Please contact us directly.

This warranty gives the purchaser specified legal rights in addition to any rights which may vary from state to state.

In accordance with the "Moss-Magnuson Warranty Act" of July 10, 1975, this is termed a "limited warranty" which in no way compromises our high standards of Quality and Workmanship.