

## Warranty

This office chair comes with a 1- year warranty from the date of purchase. In any circumstance that the product arrives damaged or missing parts. We are more than happy to provide you with replacement part.

## Warm Tips

Please read the instructions carefully before assembly and make sure you have the parts & hardware as identified on the list.

It is highly recommended to assemble the chair on a soft clean surface to avoid scratches.

**Scan the QR code for easy assemble.**



## Ergonomic Mesh Office Chair



# PARTS LIST

Step 6:

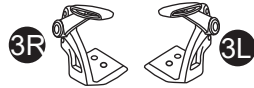
**1** Backrest



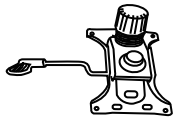
**2** Seat Cushion



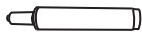
**3** Armrest



**4** Mechanism



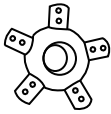
**5** Gaslift



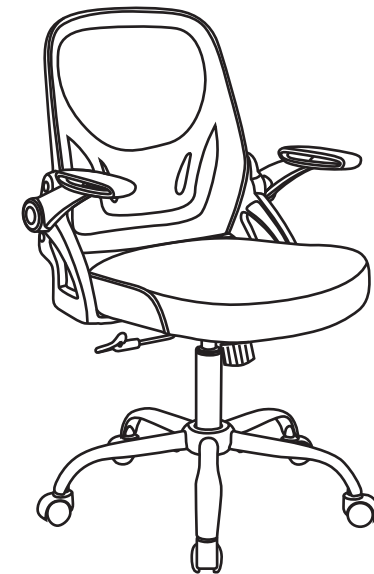
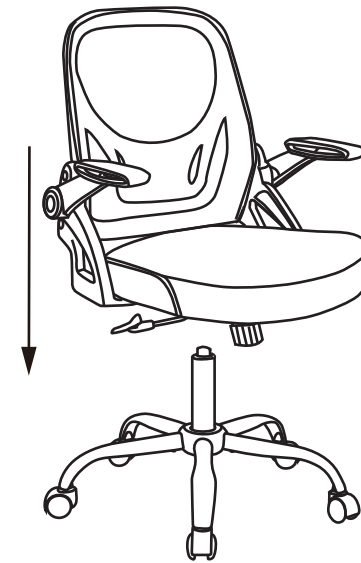
**6** Castors









**7** Base



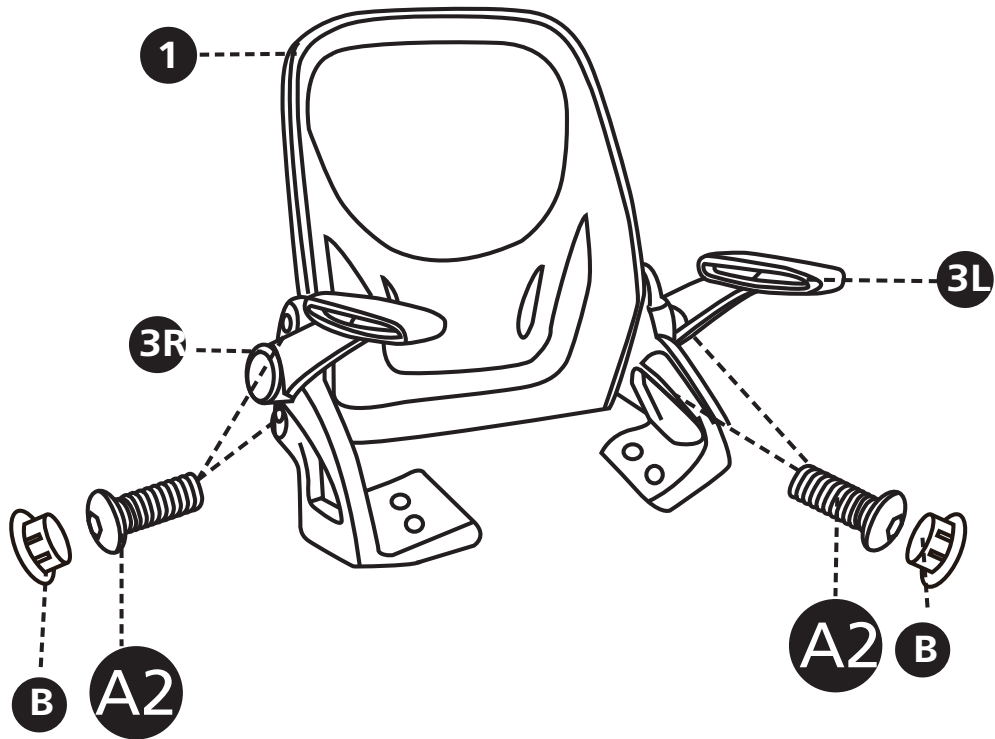
**8** Base Legs



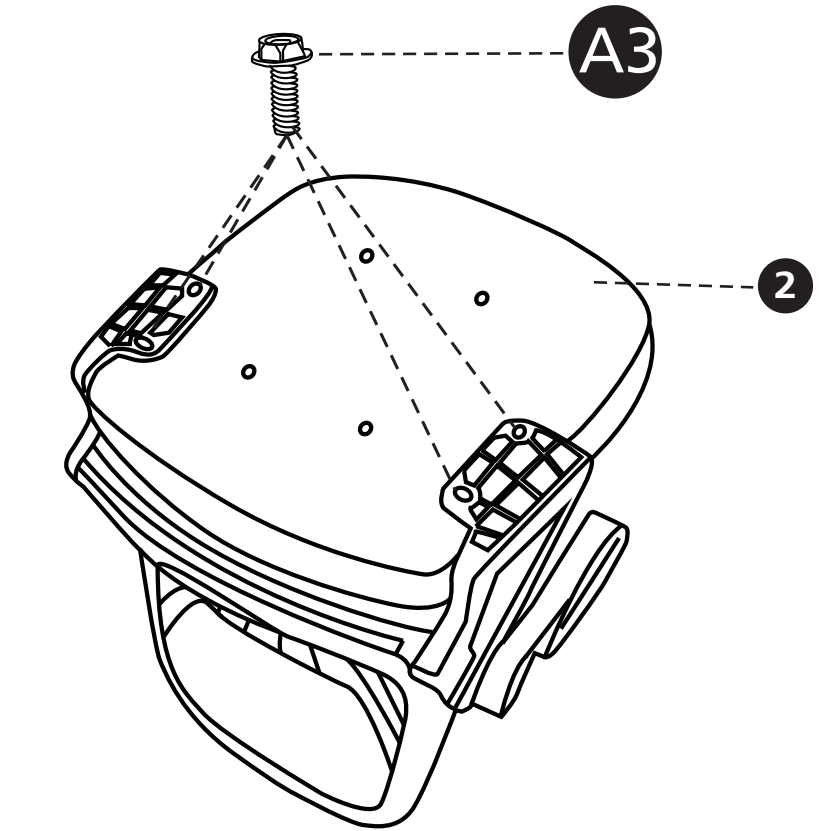
## Hardware Kit

<b>A1</b>	Small Bolts(12mm)		10
<b>A2</b>	Small Bolts(30mm)		4
<b>A3</b>	Big Bolts(30mm)		4
<b>A4</b>	Big Bolts(20mm)		4
<b>B</b>	Plastic Caps		4
<b>C</b>	Allen Key		1

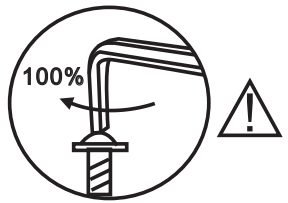
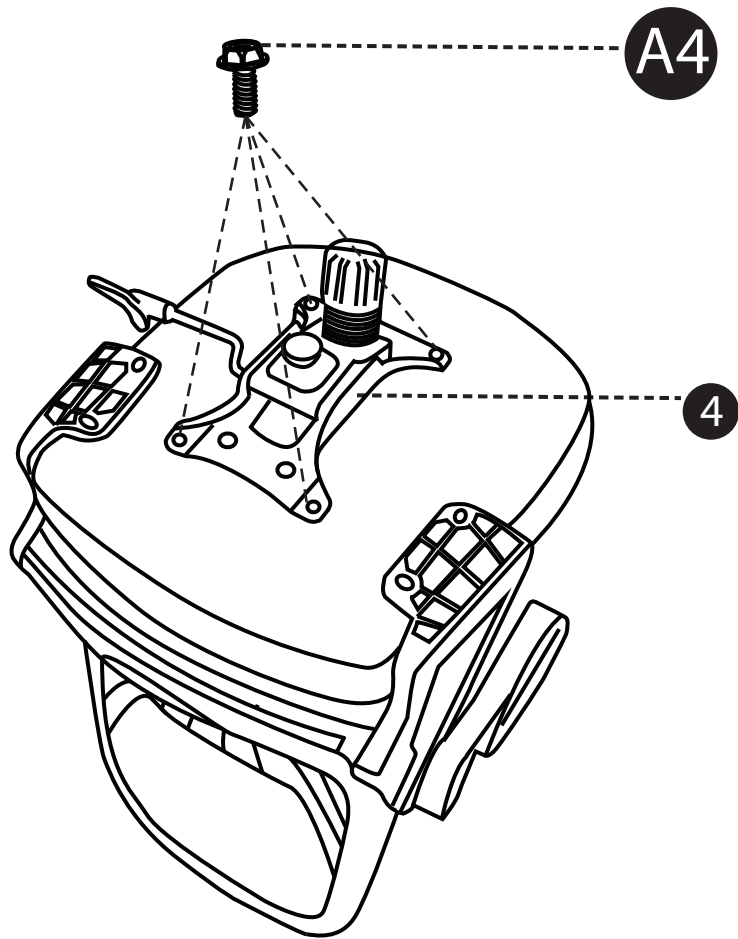
### Step 3:



### Step 4:

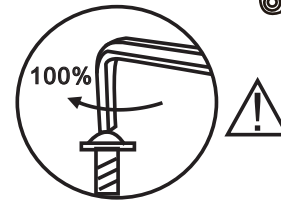
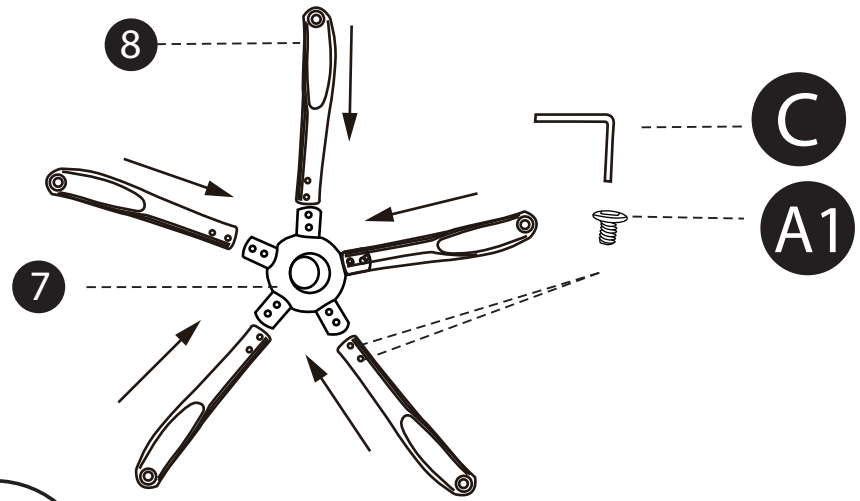


# Step 5:



5

# Step 1:



# Step 2:

