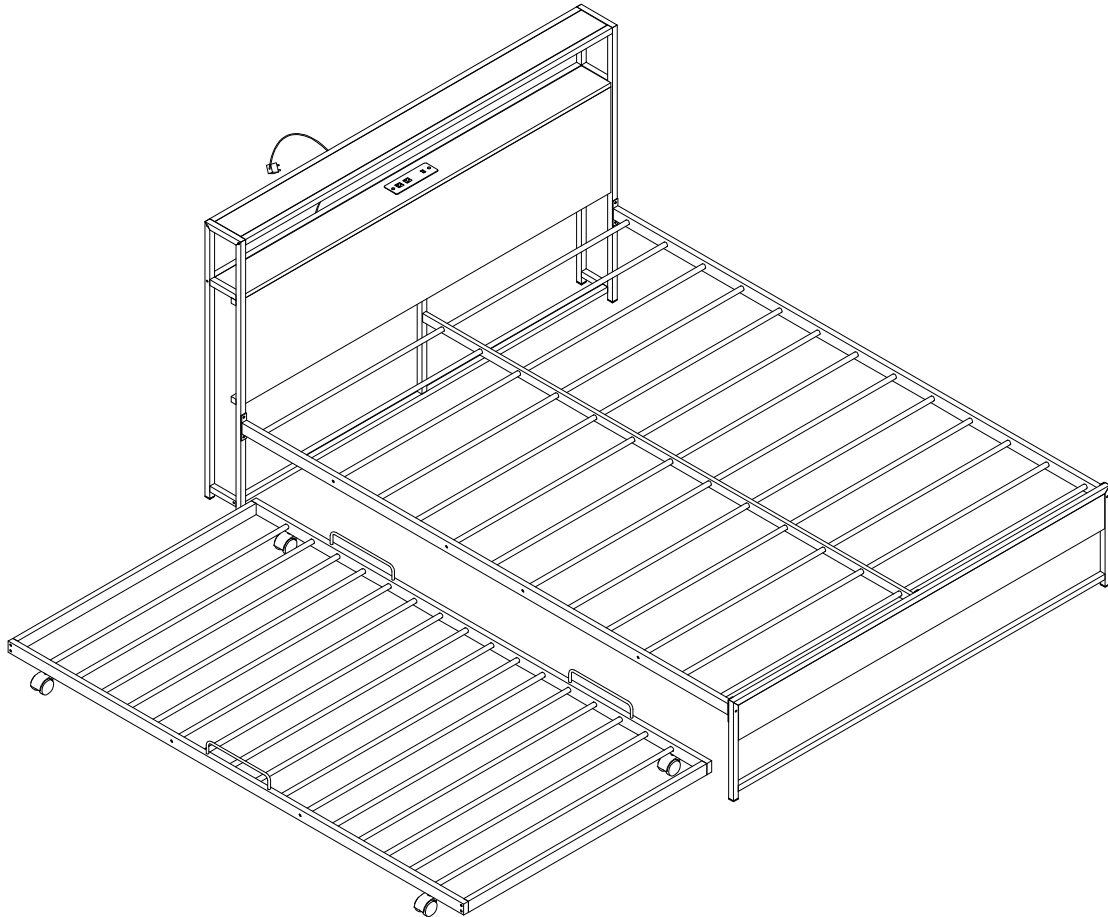


ASSEMBLY INSTRUCTION/INSTRUCTIONS DE MONTAGE

N708P477431



Minimum no. 2 of people
recommended to assemble
this product: Approx.

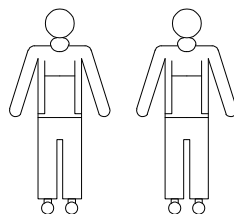
assembly time: 60 mins /

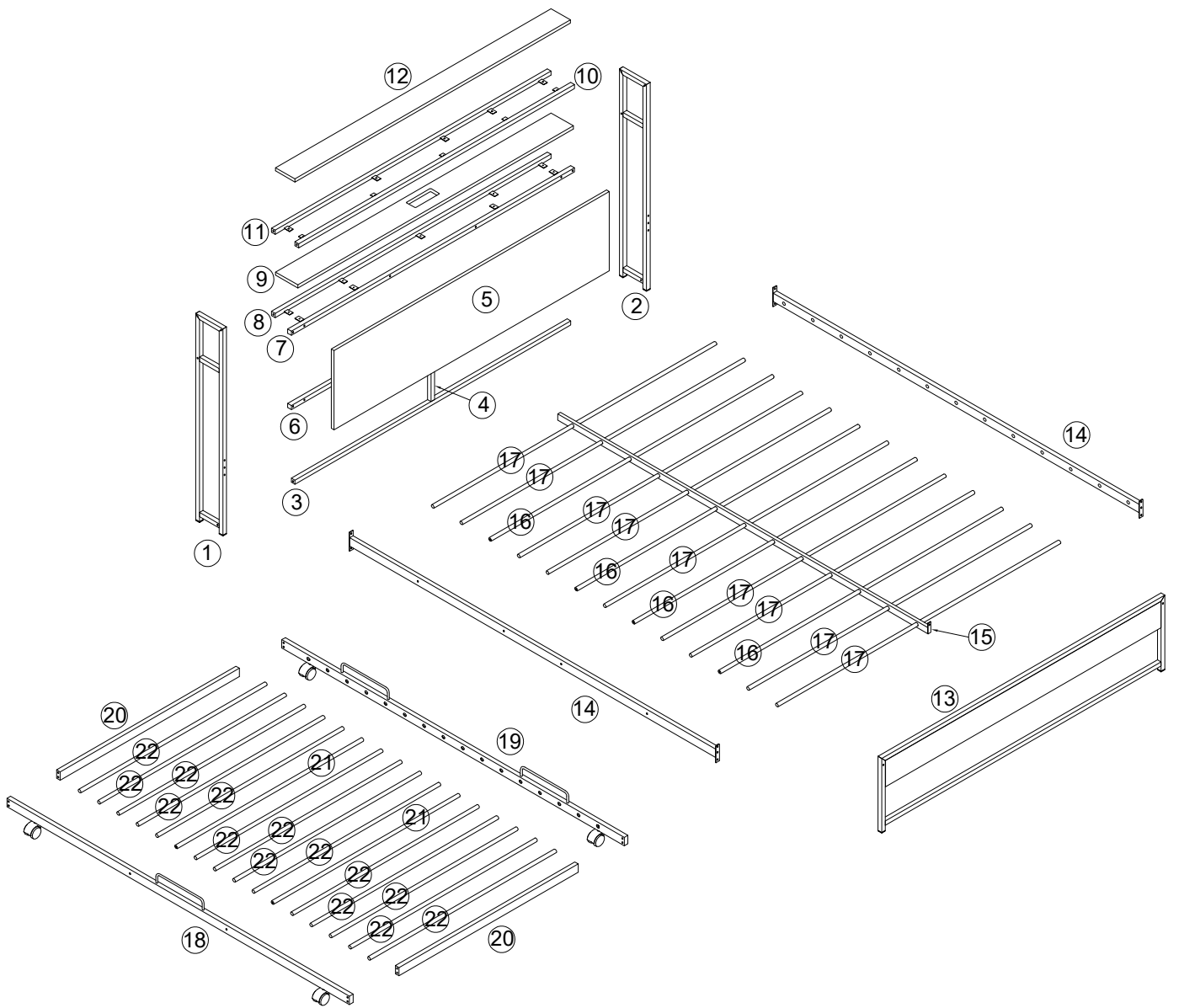
Nombre minimum 2 de personnes

recommandé d'assembler

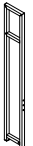

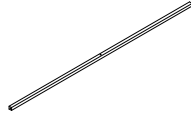

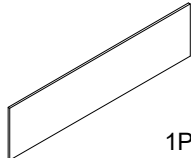
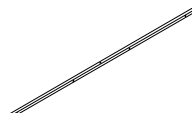
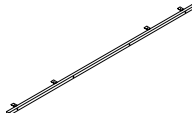
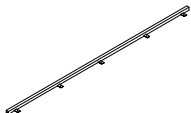
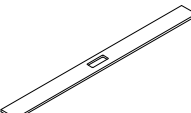
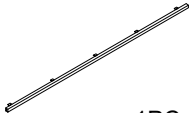
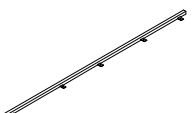
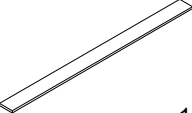
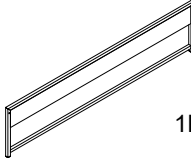
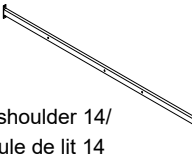
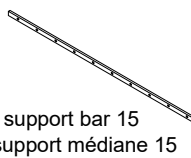
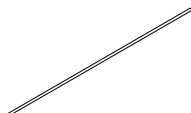
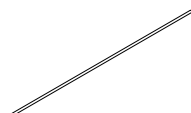
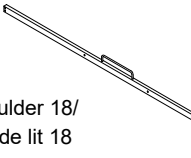
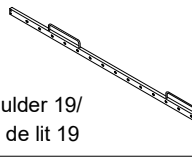

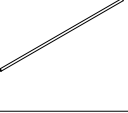
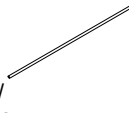
ce produit : env.

temps de montage : 60 minutes




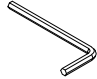
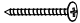
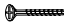


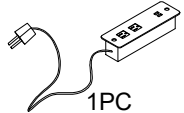

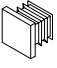






PART LIST N708P477431/LISTE DES PIÈCES N708P477431

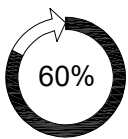
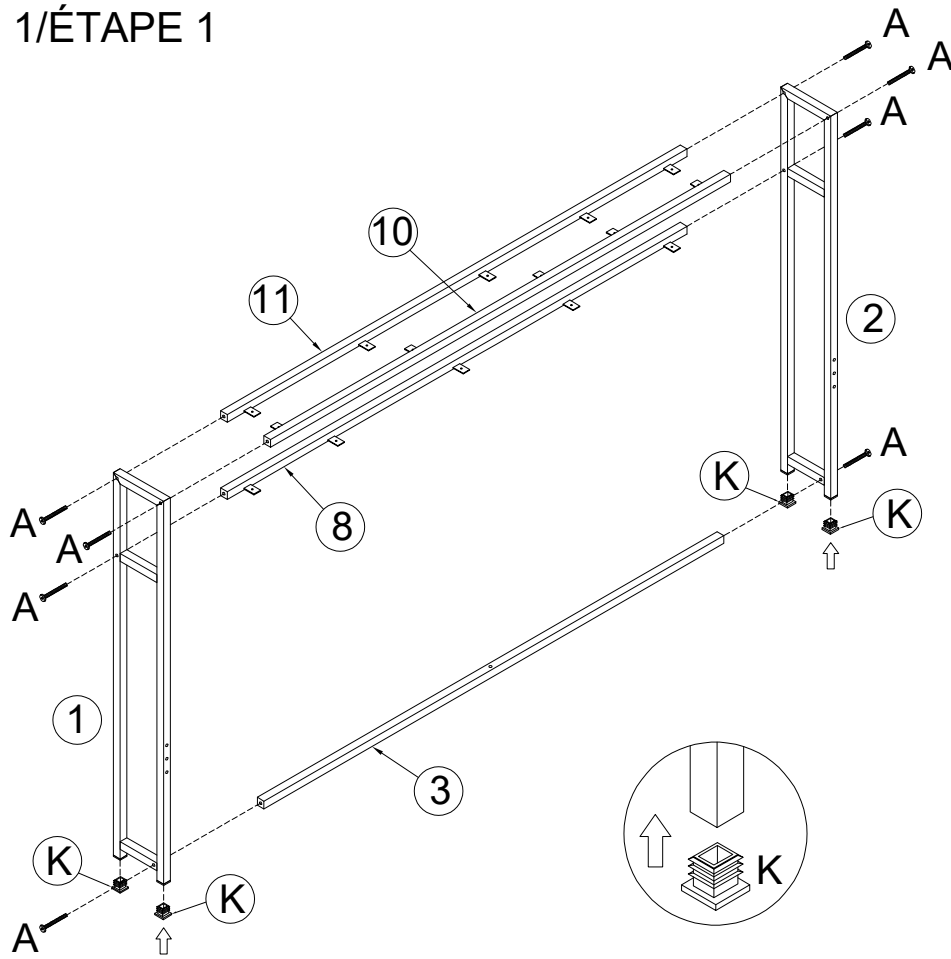
<p>1</p>  <p>Left leg 1/ Pied gauche 1</p> <p>1PC</p>	<p>2</p>  <p>Right leg 2/ Pied gauche 1</p> <p>1PC</p>	<p>3</p>  <p>Crossbar 3/ Barre transversale 3</p> <p>1PC</p>
<p>4</p>  <p>Vertical bar 4/ Barre verticale 4</p> <p>1PC</p>	<p>5</p>  <p>Panel 5/ Panneau 5</p> <p>1PC</p>	<p>6</p>  <p>Crossbar 6/ Barre transversale 6</p> <p>1PC</p>
<p>7</p>  <p>Crossbar 7/ Barre transversale 7</p> <p>1PC</p>	<p>8</p>  <p>Crossbar 8/ Barre transversale 8</p> <p>1PC</p>	<p>9</p>  <p>Panel 9/ Panneau 5</p> <p>1PC</p>
<p>10</p>  <p>Crossbar 10/ Barre transversale 10</p> <p>1PC</p>	<p>11</p>  <p>Crossbar 11/ Barre transversale 11</p> <p>1PC</p>	<p>12</p>  <p>Panel 12/ Panneau 12</p> <p>1PC</p>
<p>13</p>  <p>End of the bed 13/ Bout du lit 13</p> <p>1PC</p>	<p>14</p>  <p>Bed shoulder 14/ Épaule de lit 14</p> <p>2PCS</p>	<p>15</p>  <p>Middle support bar 15 /Barre de support médiane 15</p> <p>1PC</p>
<p>16</p>  <p>Bed slats 16/ Lattes de lit 16</p> <p>4PCS</p>	<p>17</p>  <p>Bed slats 17/ Lattes de lit 17</p> <p>9PCS</p>	<p>18</p>  <p>Bed shoulder 18/ Épaule de lit 18</p> <p>1PC</p>
<p>19</p>  <p>Bed shoulder 19/ Épaule de lit 19</p> <p>1PC</p>	<p>20</p>  <p>Crossbar 20/ Barre transversale 20</p> <p>2PCS</p>	<p>21</p>  <p>Bed slats 21/ Lattes de lit 21</p> <p>2PCS</p>
<p>22</p>  <p>Bed slats 22/ Lattes de lit 22</p> <p>14PCS</p>		

HARDWARE LIST N708P477431/LISTE DU MATÉRIEL N708P477431


<p>A</p>  <p>27PCS M$\frac{1}{4}$"X35</p>	<p>B</p>  <p>8PCS M$\frac{1}{4}$"X30</p>	<p>C</p>  <p>21PCS M$\frac{1}{4}$"X15</p>	<p>D</p>  <p>1PC M4X23X57</p>
<p>E</p>  <p>19PCS M4x15</p>	<p>F</p>  <p>2PCS M3.5x15</p>	<p>G</p>  <p>2PCS M8xØ50x70H</p>	<p>H</p>  <p>2PCS M8xØ50x70H</p>
<p>i</p>  <p>1PC 174x55x45H</p>	<p>J</p>  <p>1PC 13mm</p>	<p>K</p>  <p>6PCS #20x20x13</p>	

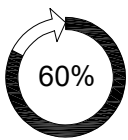
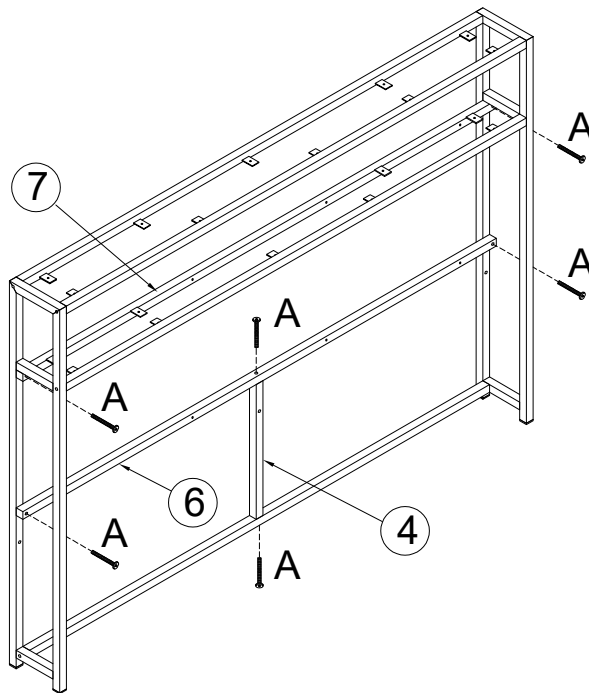
STEP 1/ÉTAPE 1

A	K
	
M $\frac{1}{4}$ 'x35	#20x20x13
8 PCS	4 PCS

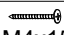


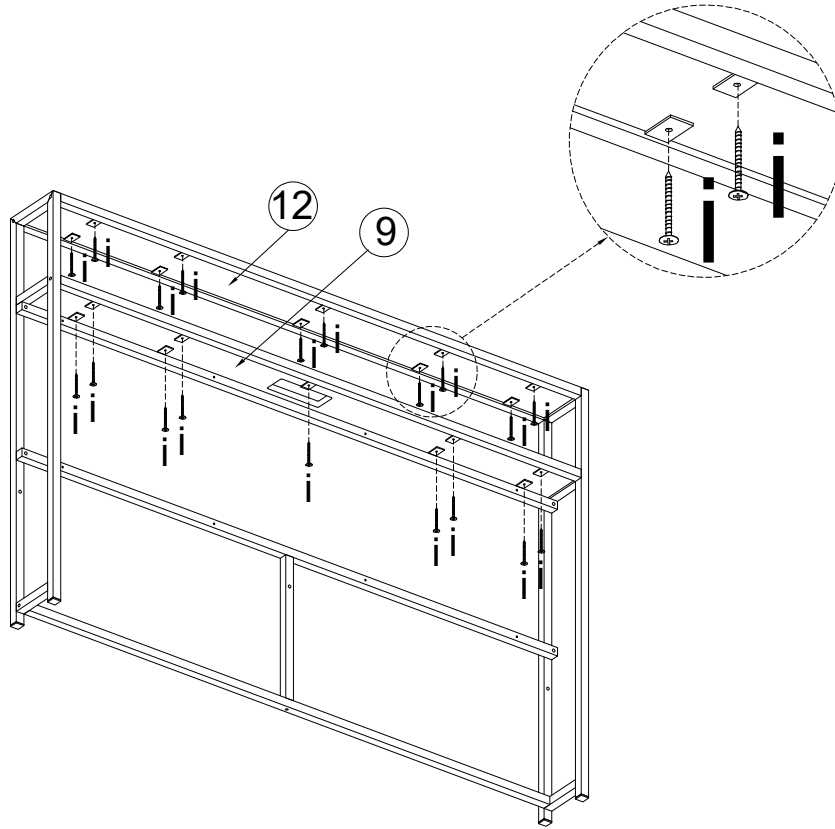
STEP 2/ÉTAPE 2

A

M $\frac{1}{4}$ 'x35
6 PCS




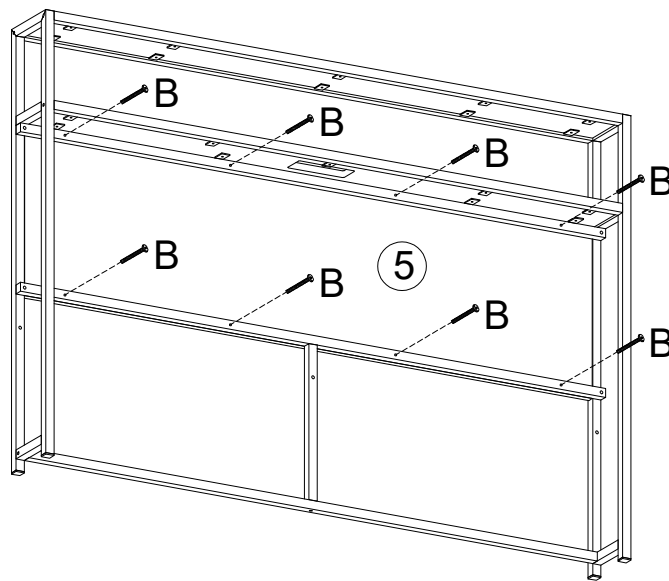
STEP 3/ÉTAPE 3

E
 M4x15
19 PCS




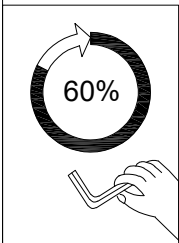
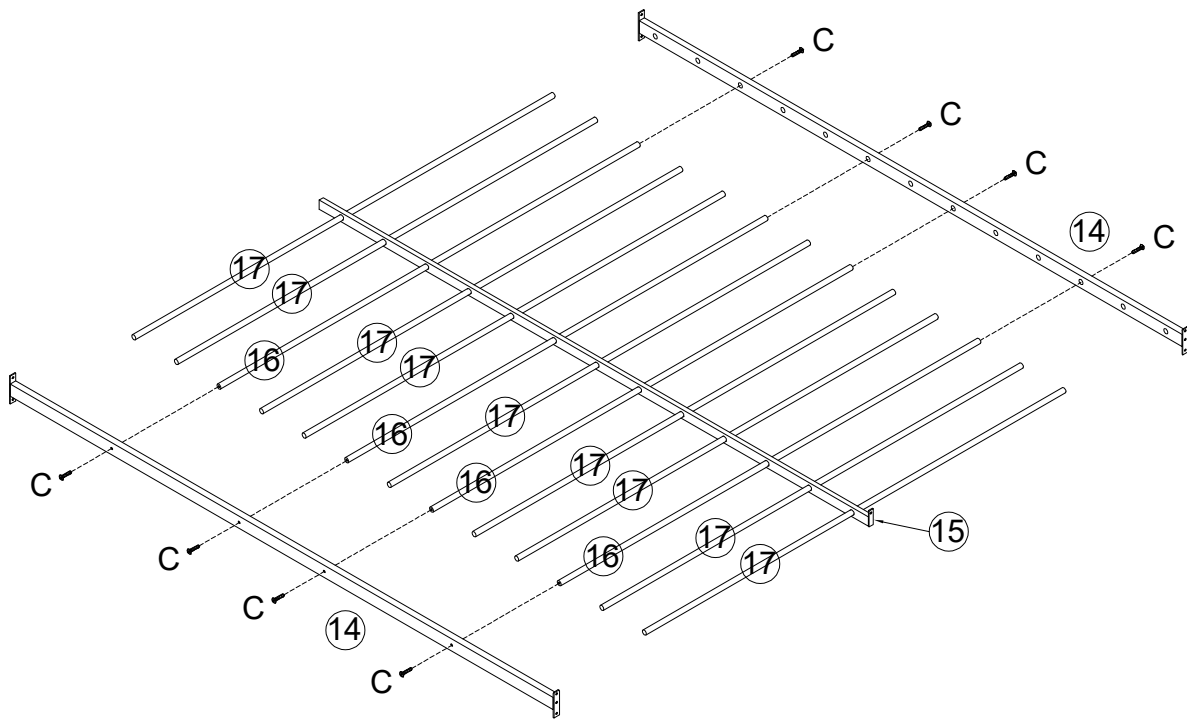
STEP 4/ÉTAPE 4

B
 M $\frac{1}{4}$ x30
8 PCS






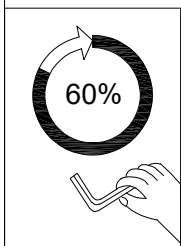
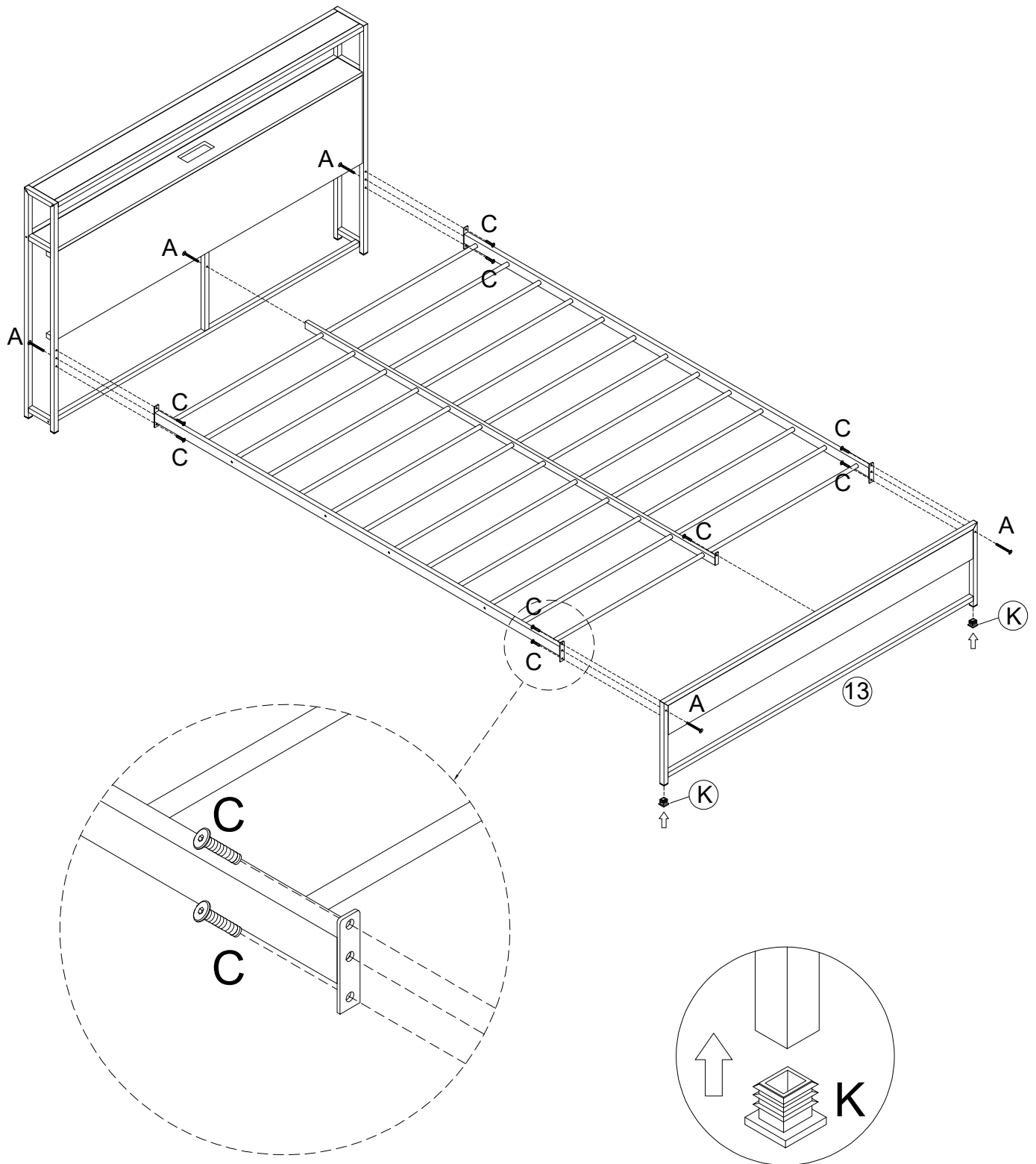
STEP 5/ÉTAPE 5

C
 M $\frac{1}{4}$ "x15
8 PCS


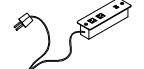


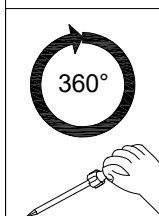
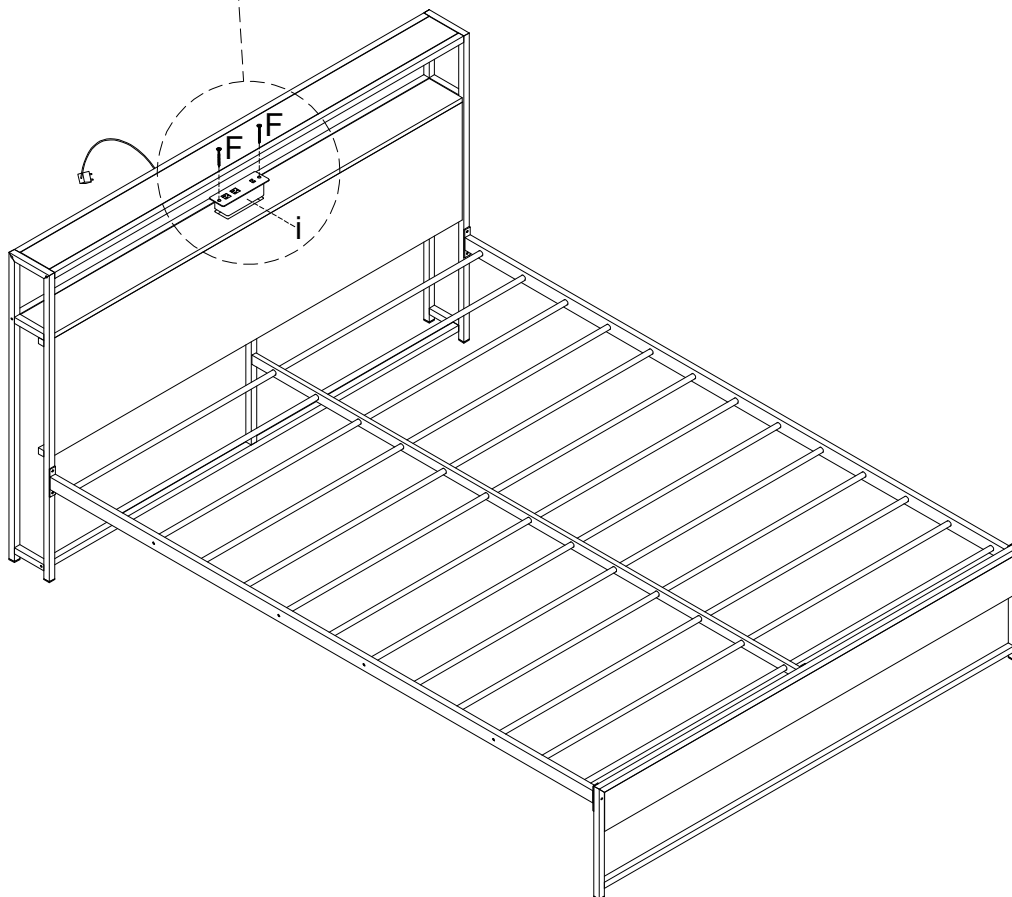
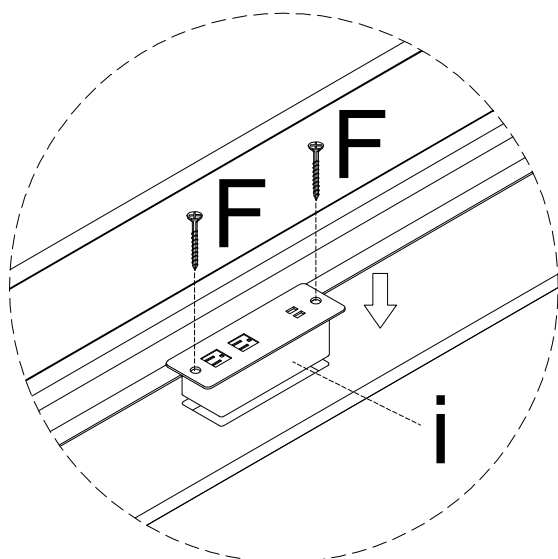
STEP 6/ÉTAPE 6

A	C	K
 M $\frac{1}{4}$ "x35	 M $\frac{1}{4}$ "x15	 #20x20x13
5 PCS	9 PCS	2 PCS





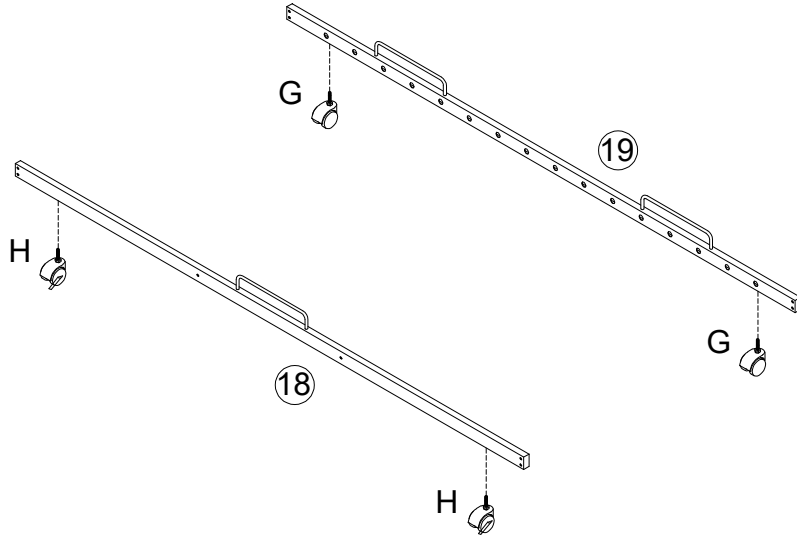
STEP 7/ÉTAPE 7

F	i
	
M3.5x15	174x55x45H
2 PCS	1 PC

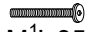



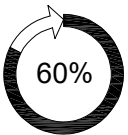
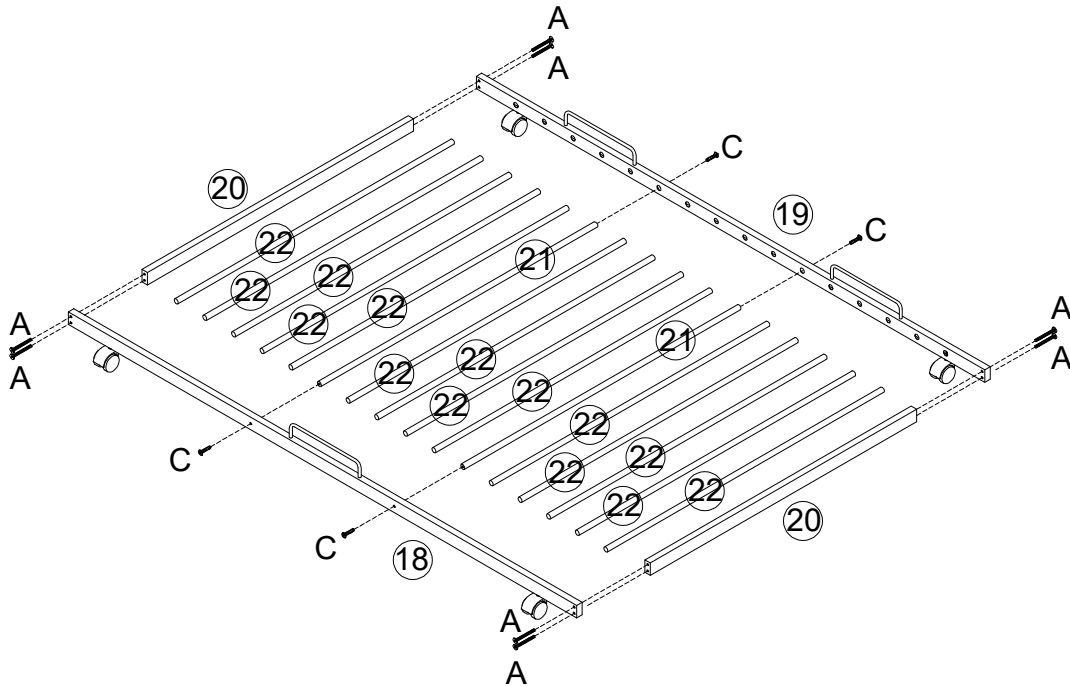
STEP 8/ÉTAPE 8

G	H
	
M8xØ50x70H	M8xØ50x70H
2 PCS	2 PCS

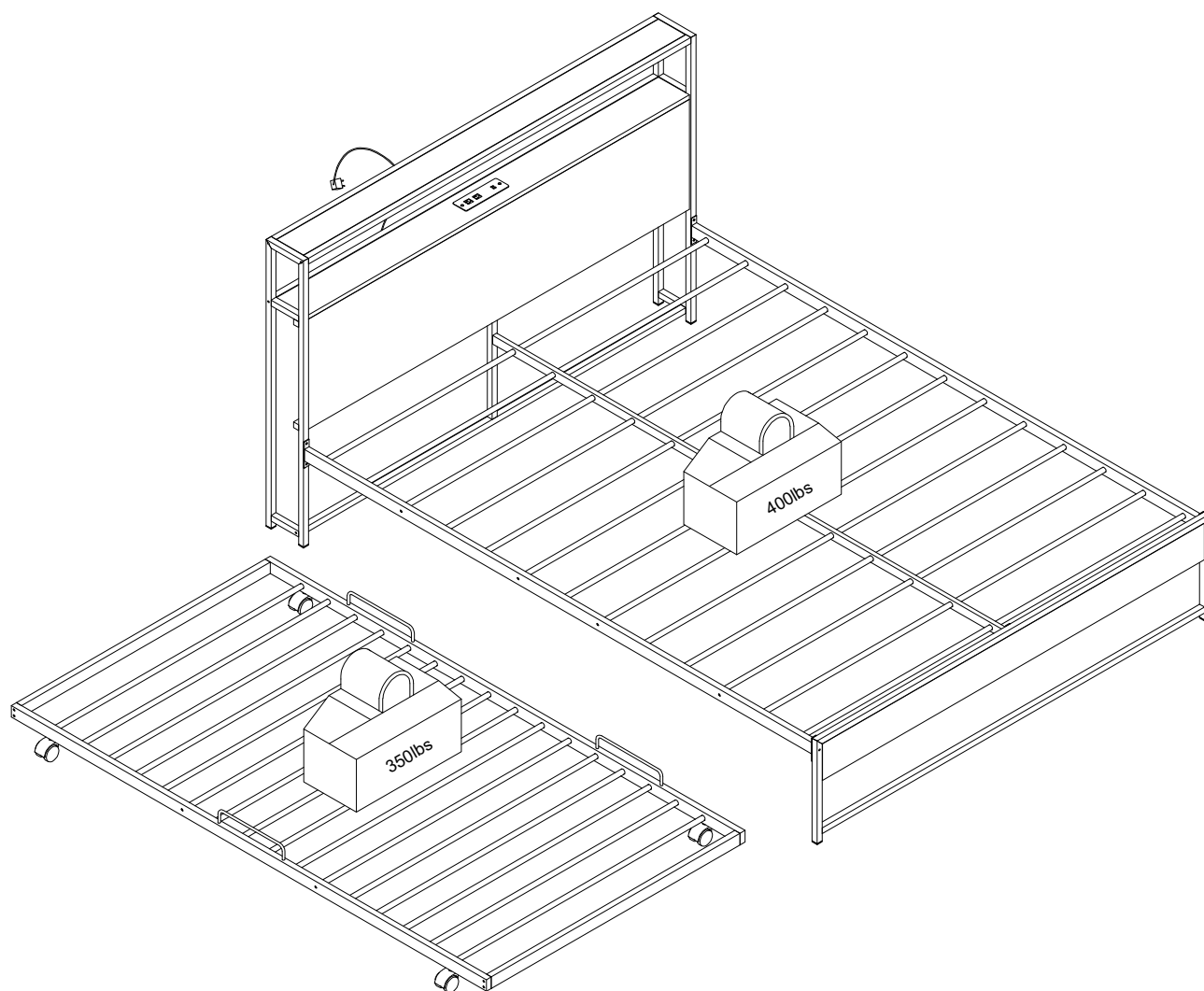


STEP 9/ÉTAPE 9

A	C
	
M $\frac{1}{4}$ x 35	M $\frac{1}{4}$ x 15
8 PCS	4 PCS



STEP 10/ÉTAPE 10



This device complies with Part 15 of the FCC Rules. Operation is subject to the following two conditions: (1) This device may not cause harmful interference, and (2) this device must accept any interference received, including interference that may cause undesired operation.