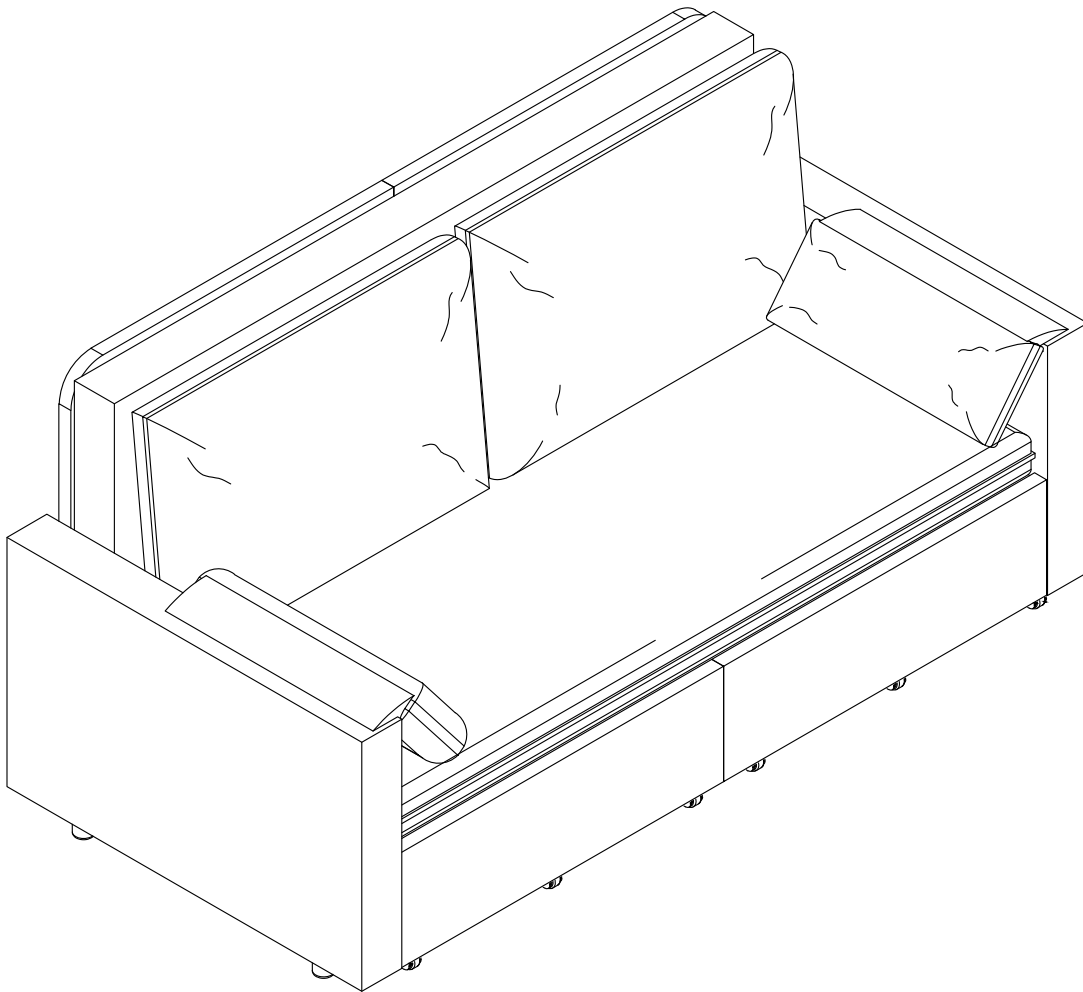
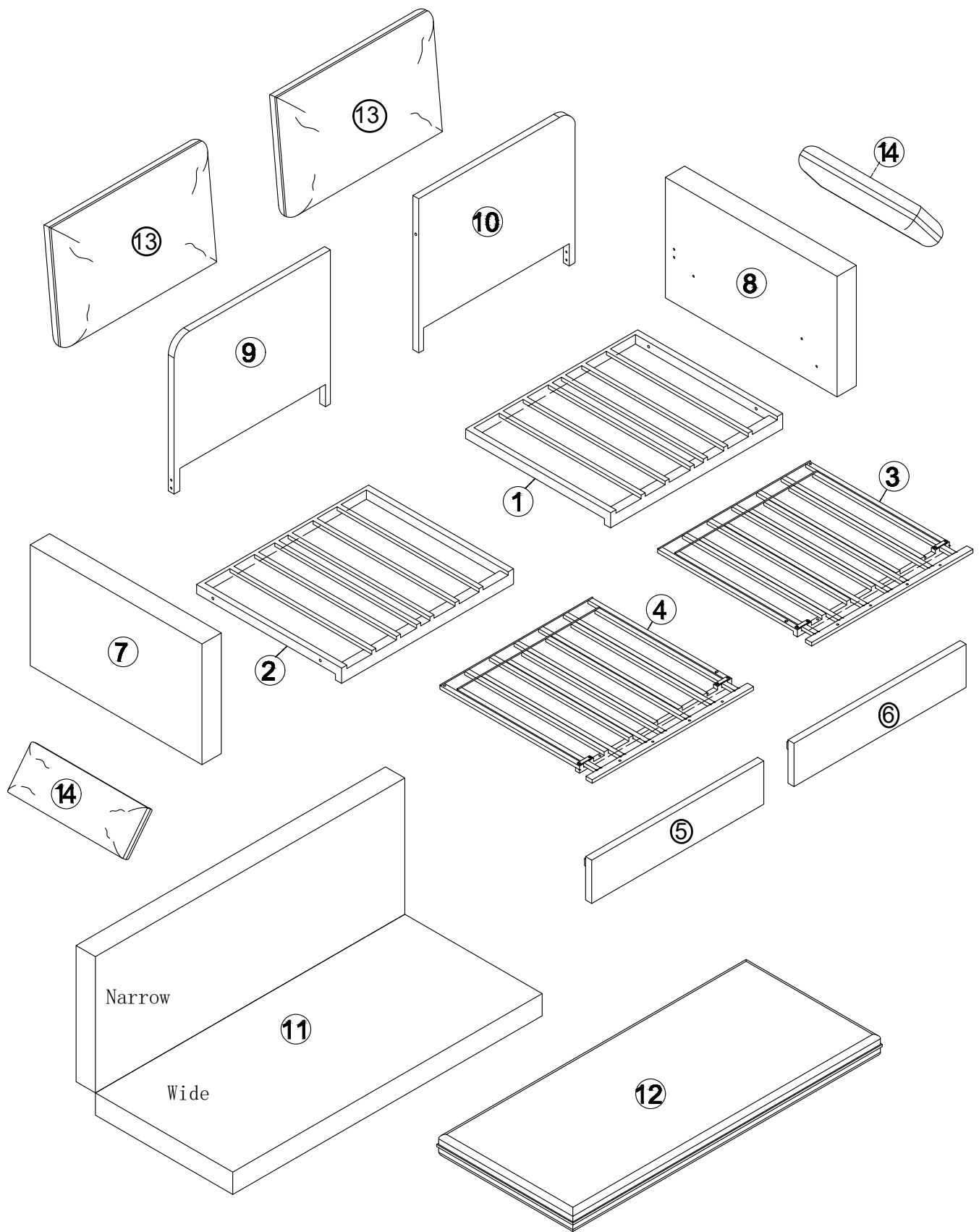


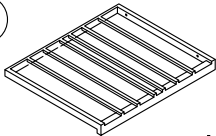
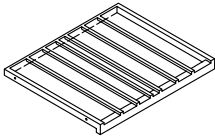
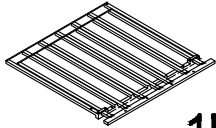
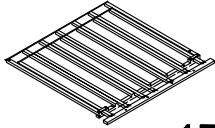
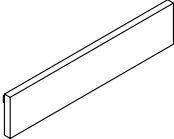
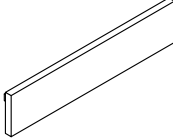
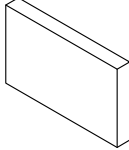
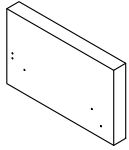
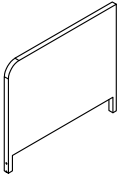
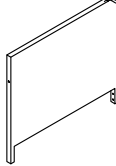
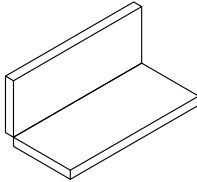
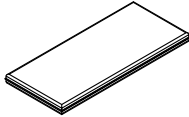
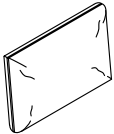
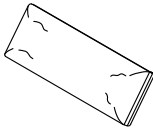
INSTALLATION INSTRUCTION



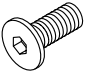
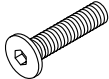
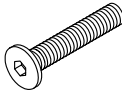
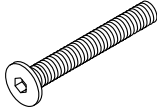
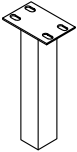
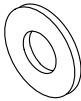
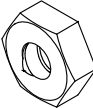
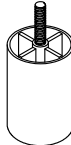
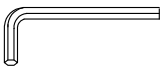
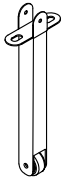
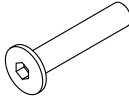
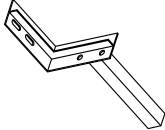
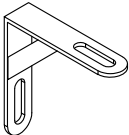
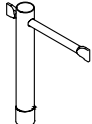
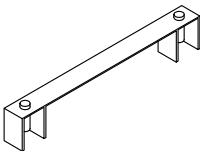
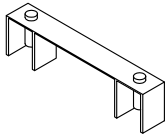
2044-V11



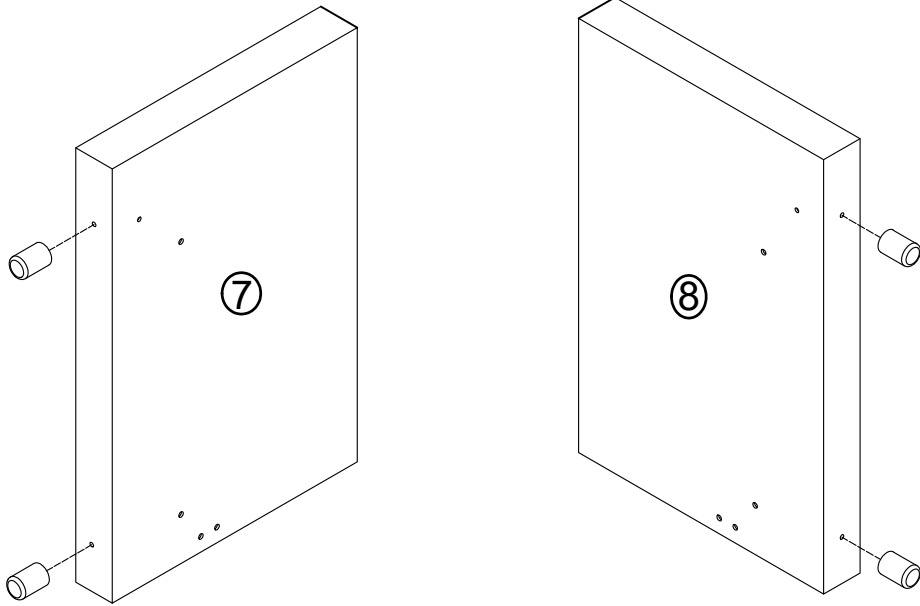
PART LIST:

 1 1PC	 2 1PC	 3 1PC	 4 1PC
 5 1PC	 6 1PC	 7 1PC	 8 1PC
 9 1PC	 10 1PC	 11 1PC	 12 1PC
 13 2PCS	 14 2PCS		

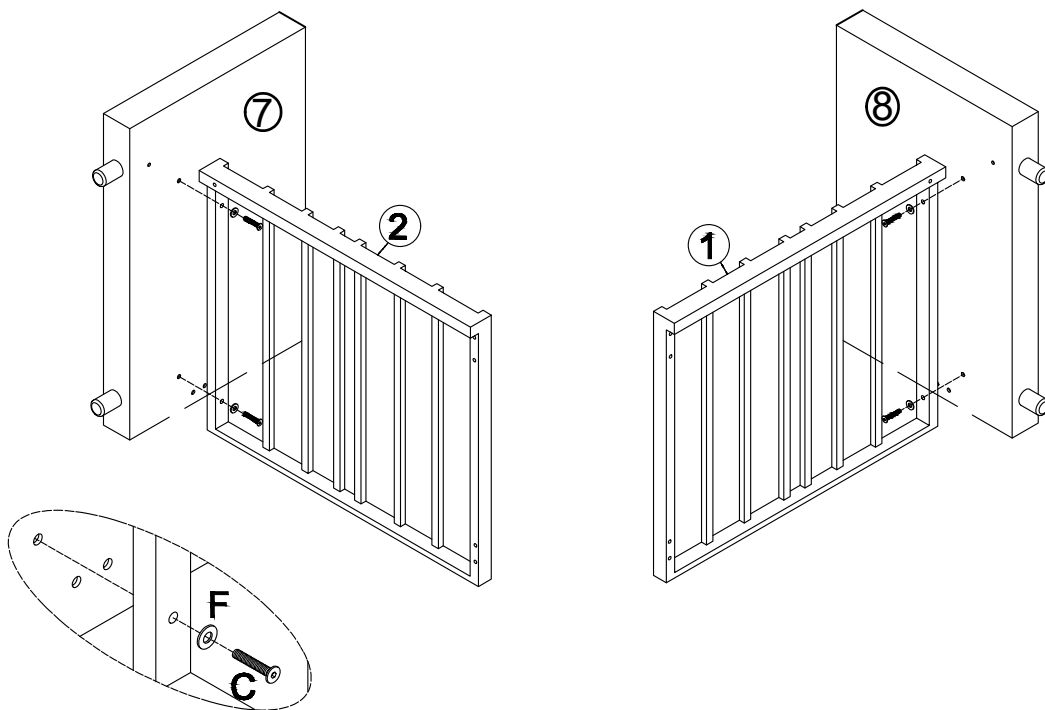
HARDWARE LIST:

A  M8×20 12PCS	B  M8×40 4PCS	C  M8×55 12PCS	D  M8×80 13PCS
E  4-hole T-shaped bracket 1PC	F  M8 54PCS	G  M8 21PCS	H  4PCS
I  M8 1PC	J  4PCS	K  M6×35 2PCS	L  8-hole L-shaped bracket 1PC
M  2PCS	N  M8 1PC	P  1PC	Q  2PCS

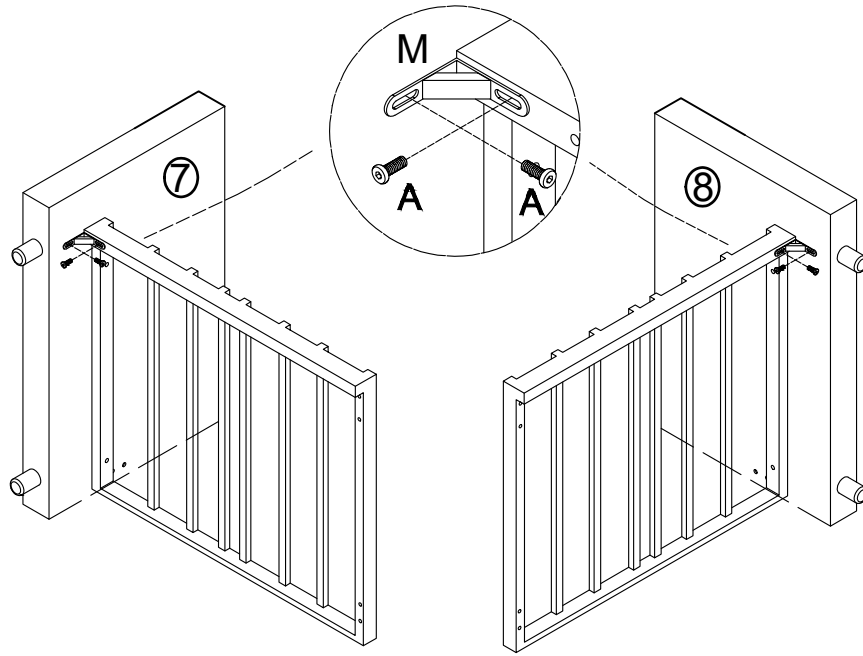
Step 1



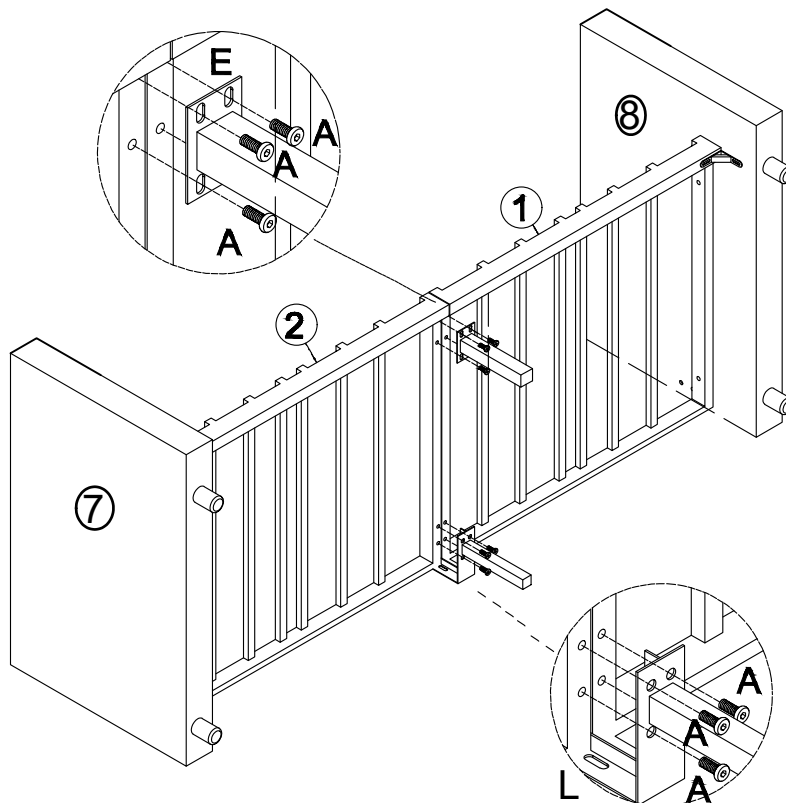
Step 2



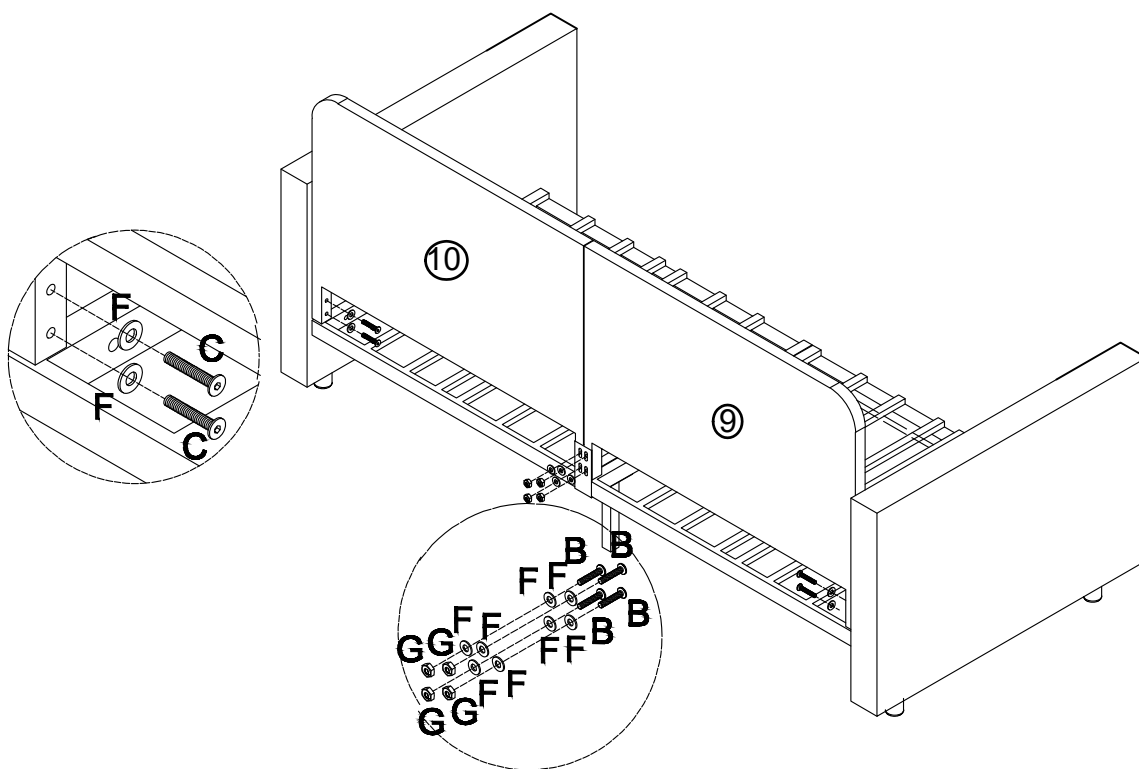
Step 3



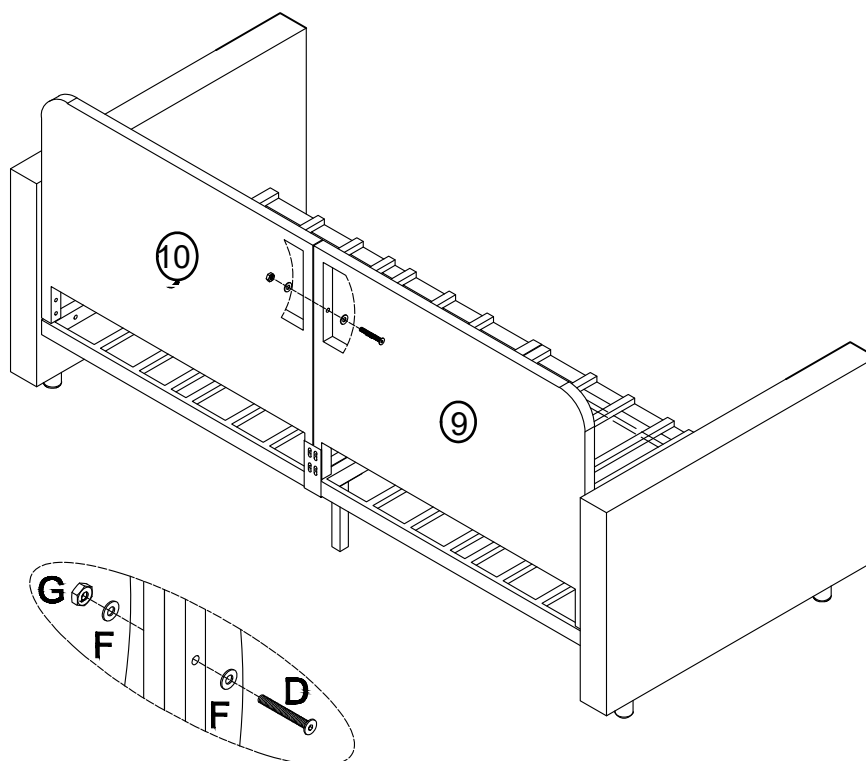
Step 4



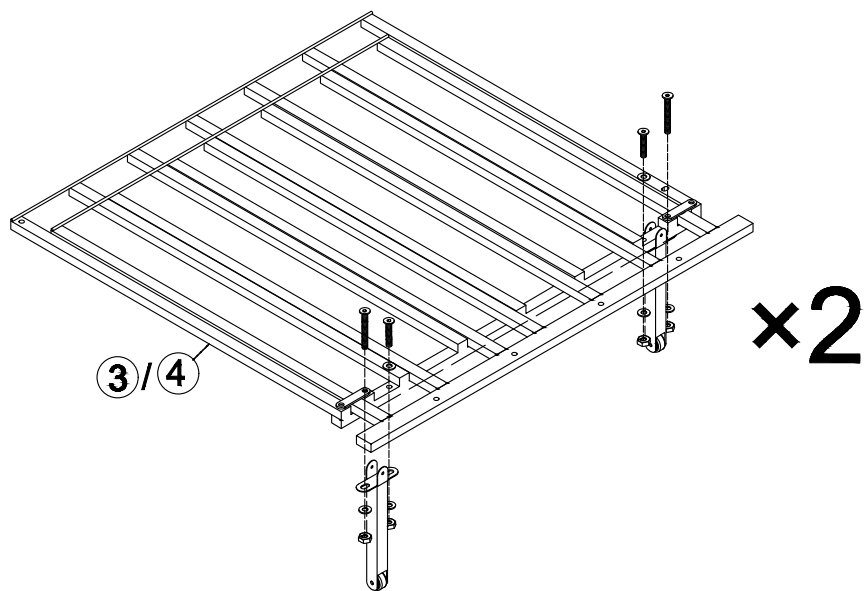
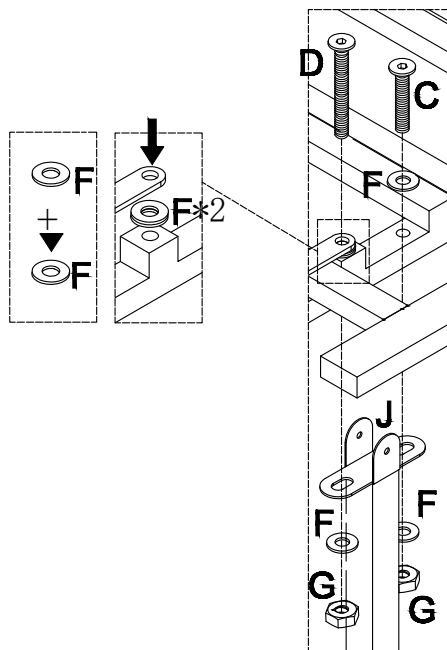
Step 5



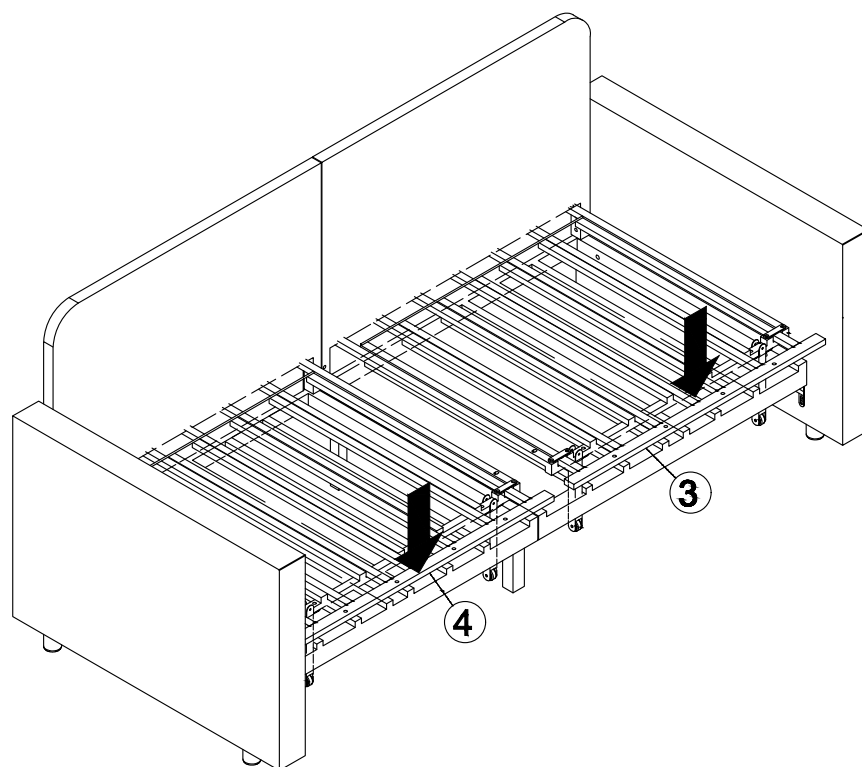
Step 6



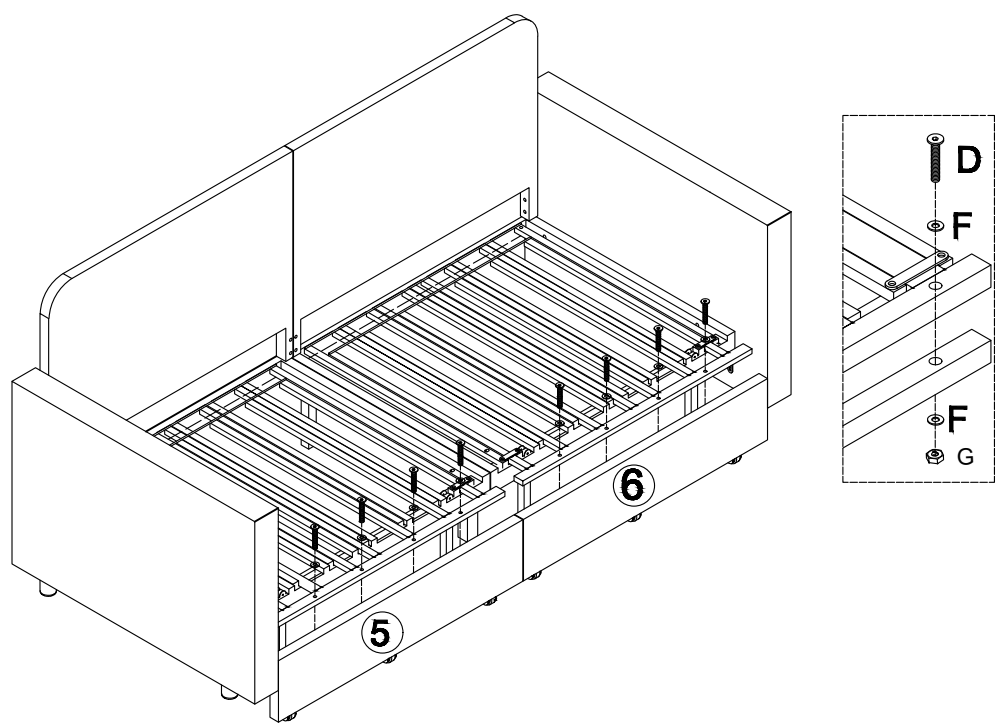
Step 7



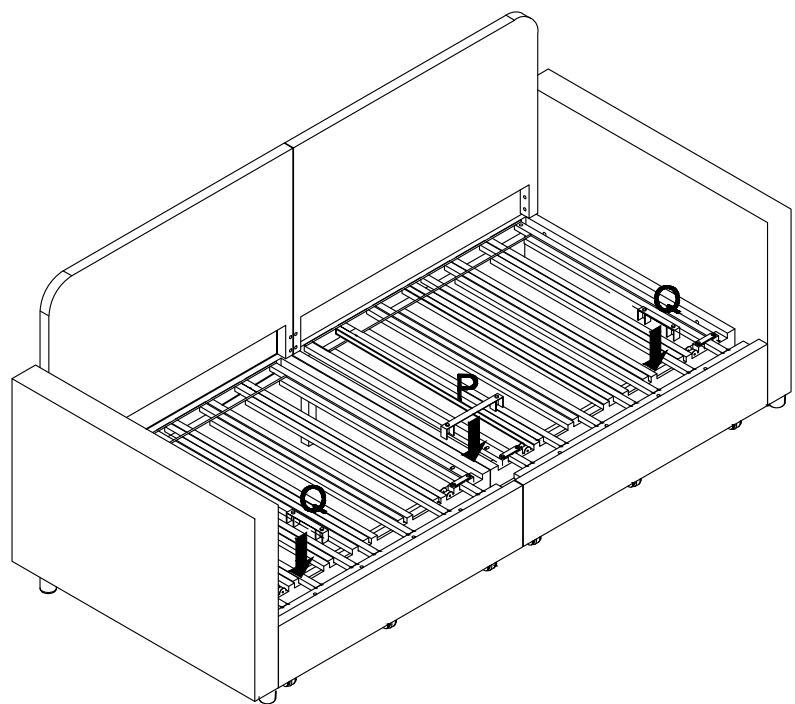
Step 8



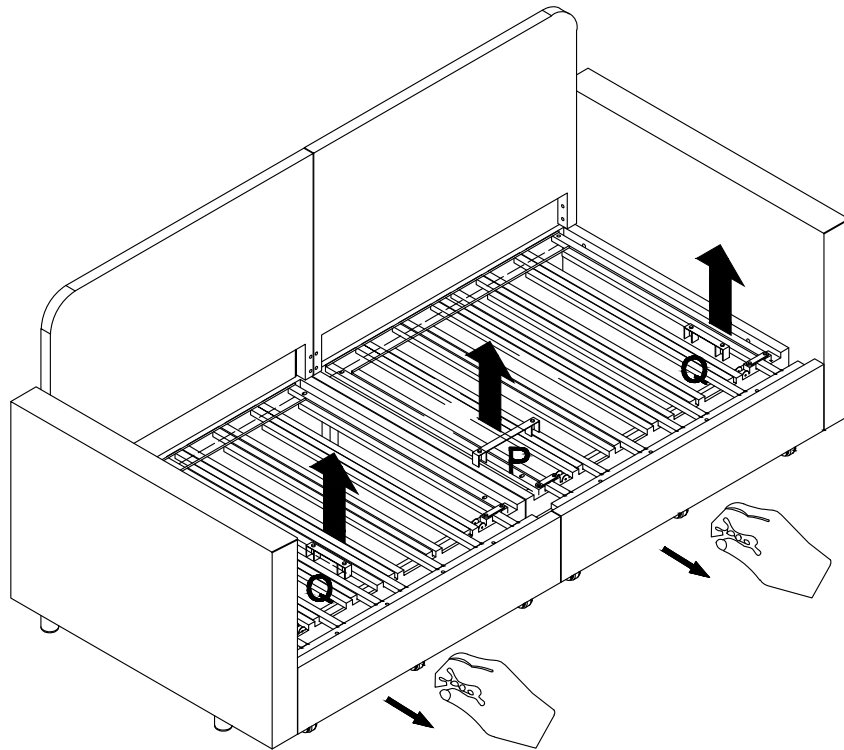
Step 9



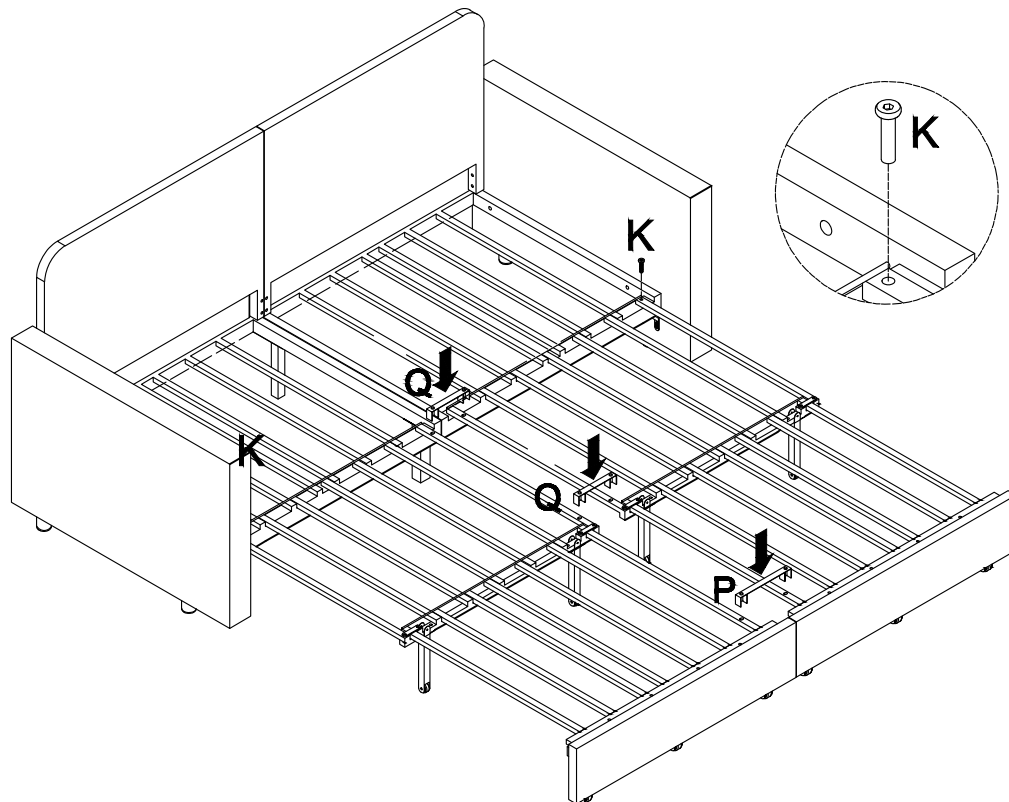
Step 10



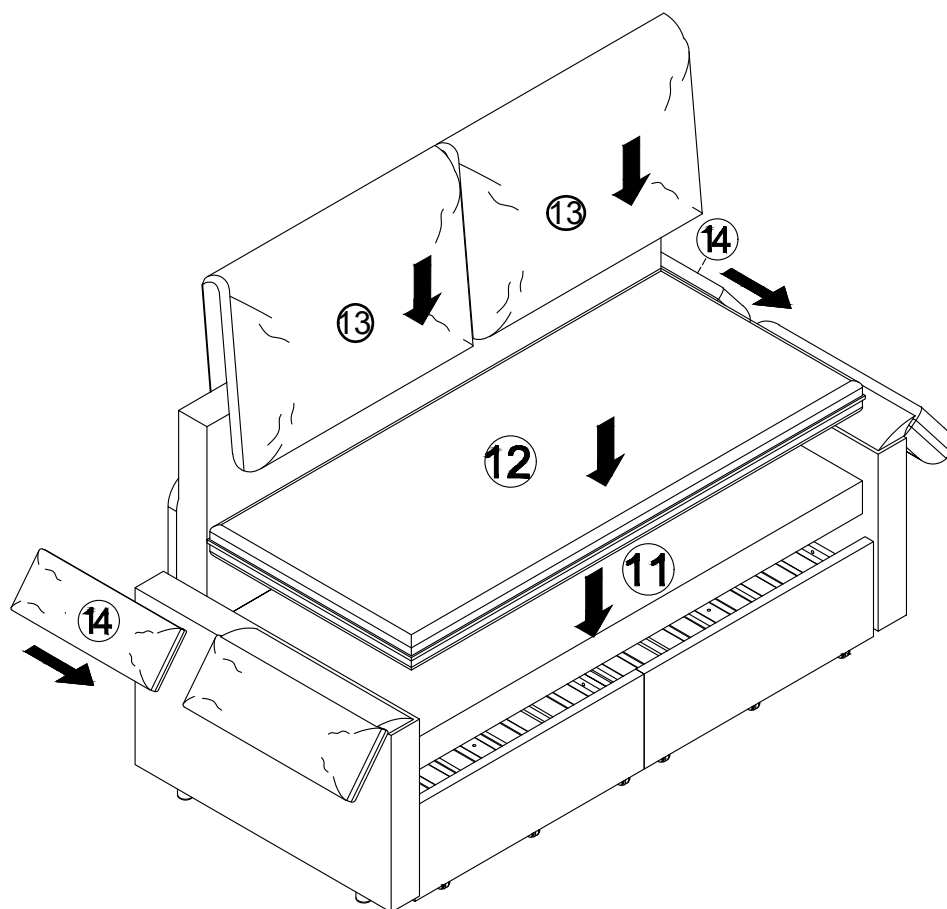
Step 11



Step 12



Step 13



Step 14

